



US00D527832S

(12) **United States Design Patent**  
**Devereux**

(10) **Patent No.:** **US D527,832 S**

(45) **Date of Patent:** **\*\* Sep. 5, 2006**

(54) **RAIL**

(75) Inventor: **Mark Devereux**, Derby (GB)

(73) Assignee: **Gordon Ellis & Company**, Derby (GB)

(\*\*) Term: **14 Years**

(21) Appl. No.: **29/224,236**

(22) Filed: **Feb. 25, 2005**

(30) **Foreign Application Priority Data**

Aug. 28, 2004 (GB) ..... 3018573

(51) **LOC (8) Cl.** ..... **25-03**

(52) **U.S. Cl.** ..... **D25/16**

(58) **Field of Classification Search** ..... D25/33,  
D25/18, 16, 25, 119, 121, 38, 41; 4/460;  
52/79.1, 79.4, 36.2; 256/59, 60, 64, 65.01,  
256/65.08, 65.16, 65.05, 65.04

See application file for complete search history.

(56) **References Cited**

**U.S. PATENT DOCUMENTS**

D202,335 S \* 9/1965 Blum ..... D25/121

D333,873 S \* 3/1993 McCue ..... D25/38  
5,190,267 A \* 3/1993 Schmitt et al. .... 256/59  
D421,500 S \* 3/2000 Hampel ..... D25/16  
D459,001 S \* 6/2002 Baird ..... D25/18  
6,438,902 B1 \* 8/2002 Muller ..... 52/79.1  
6,499,260 B1 \* 12/2002 Kasinger et al. .... 52/79.4  
D468,833 S \* 1/2003 Tisbo et al. .... D25/33  
6,533,251 B1 \* 3/2003 Abbaticchio ..... 256/65.15  
D479,004 S \* 8/2003 Perkins et al. .... D25/119

\* cited by examiner

*Primary Examiner*—Doris Clark

(74) *Attorney, Agent, or Firm*—Smith-Hill and Bedell

(57) **CLAIM**

The ornamental design for a rail, as shown and described.

**DESCRIPTION**

FIG. 1 is a perspective view of a hand rail showing my new design,

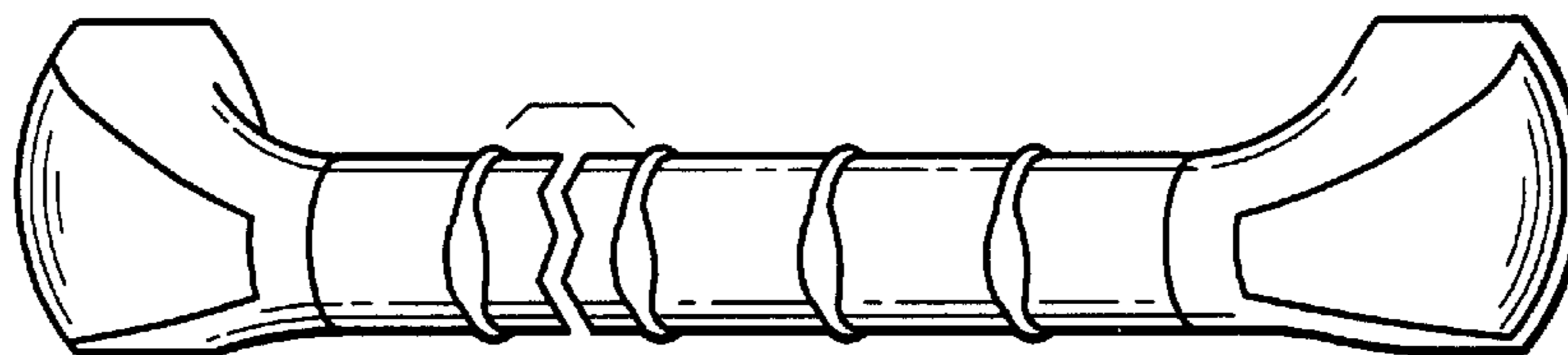
FIG. 2 is a top plan view thereof,

FIG. 3 is a side elevation thereof; and,

FIG. 4 is a bottom plan view thereof.

The break-away in the drawing illustrates that the bar is of indeterminate length.

**1 Claim, 1 Drawing Sheet**



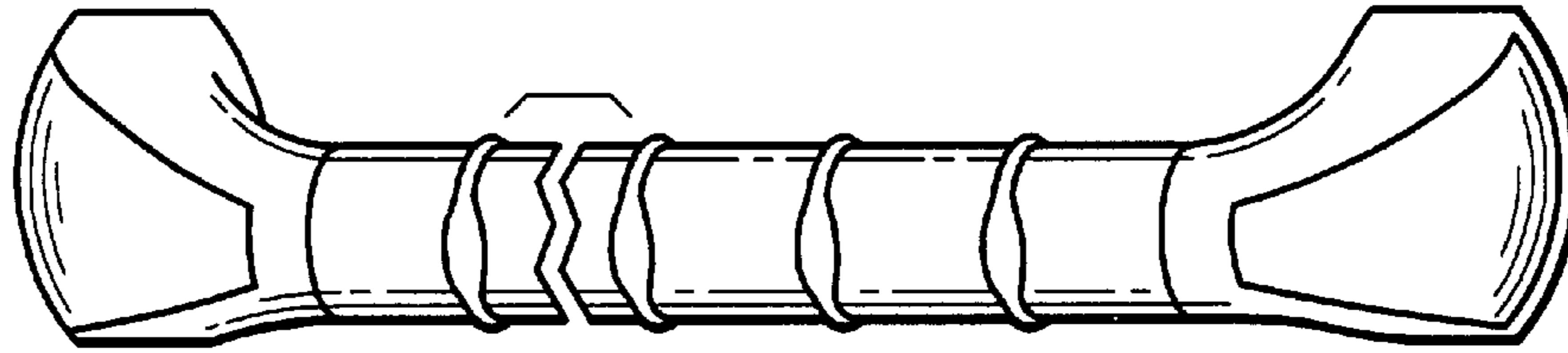


FIG. 1

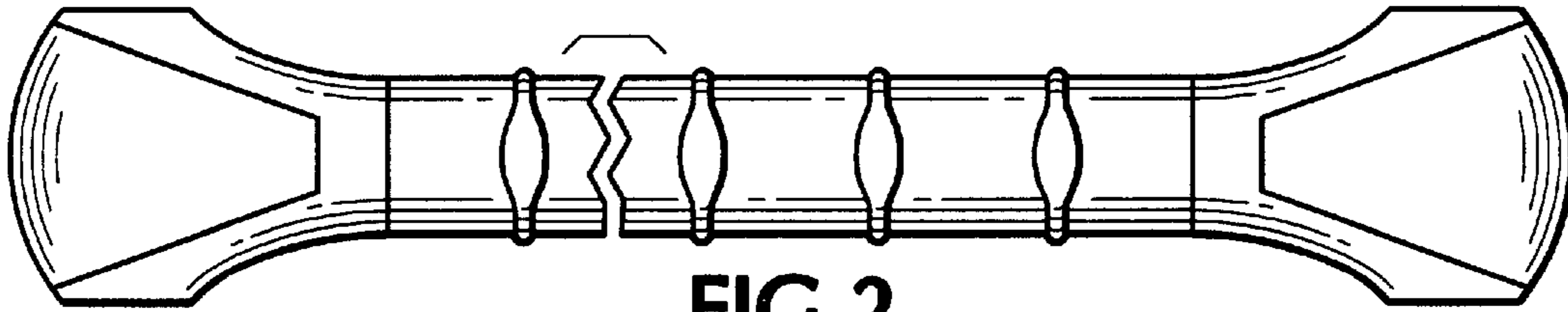


FIG. 2

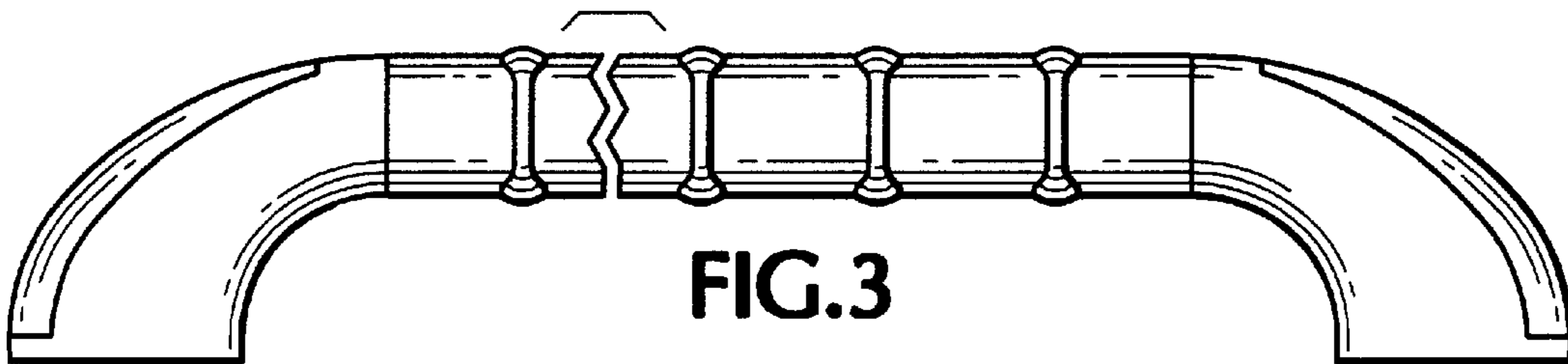


FIG. 3

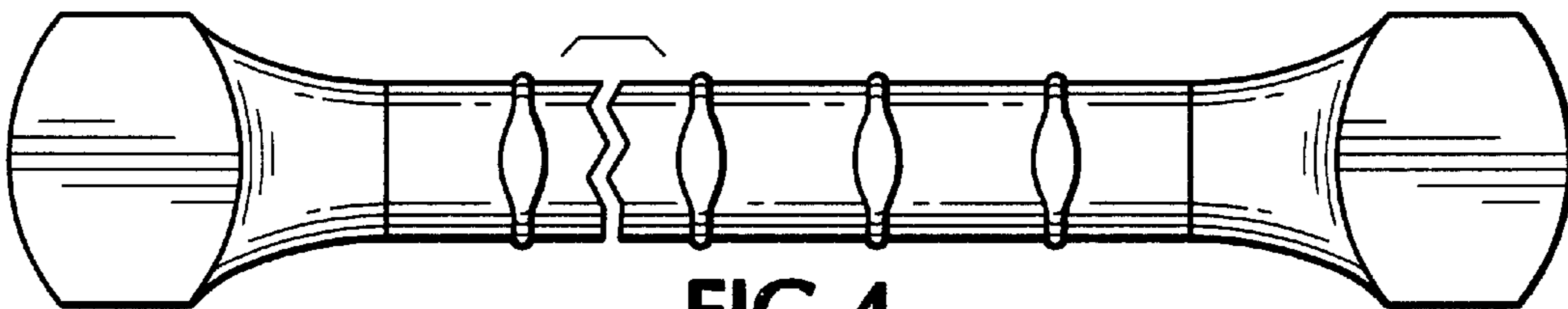


FIG. 4