



US00D527831S

(12) **United States Design Patent**  
**Hong**

(10) **Patent No.:** **US D527,831 S**

(45) **Date of Patent:** **\*\* Sep. 5, 2006**

(54) **MESSAGE ROLLER**

D501,257 S \* 1/2005 Huang ..... D24/206

(76) Inventor: **Ching-Lin Hong**, 3F., No. 176,  
Yongsing St., North District, Taichung  
City (TW)

\* cited by examiner

*Primary Examiner*—Ian Simmons  
*Assistant Examiner*—Melanie Levy  
(74) *Attorney, Agent, or Firm*—Egbert Law Offices

(\*\*) Term: **14 Years**

(57) **CLAIM**

(21) Appl. No.: **29/212,894**

I claim the ornamental design for a massage roller, as shown  
and described.

(22) Filed: **Sep. 10, 2004**

(51) **LOC (8) Cl.** ..... **28-03**

(52) **U.S. Cl.** ..... **D24/211**

(58) **Field of Classification Search** ..... D24/200,  
D24/211, 212, 213, 214, 215; 601/134–140,  
601/107, 110–114, 118–119, 120, 125, 127–131  
See application file for complete search history.

**DESCRIPTION**

FIG. 1 is a top perspective view of a massage roller showing  
my new design.

FIG. 2 is a front view thereof;

FIG. 3 is a back view thereof;

FIG. 4 is a side view thereof;

FIG. 5 is an opposite side view thereof;

FIG. 6 is a top plan view thereof;

FIG. 7 is a bottom view thereof;

FIG. 8 is an exploded perspective view thereof;

FIG. 9 is a top plan view thereof; and,

FIG. 10 is another top plan view thereof.

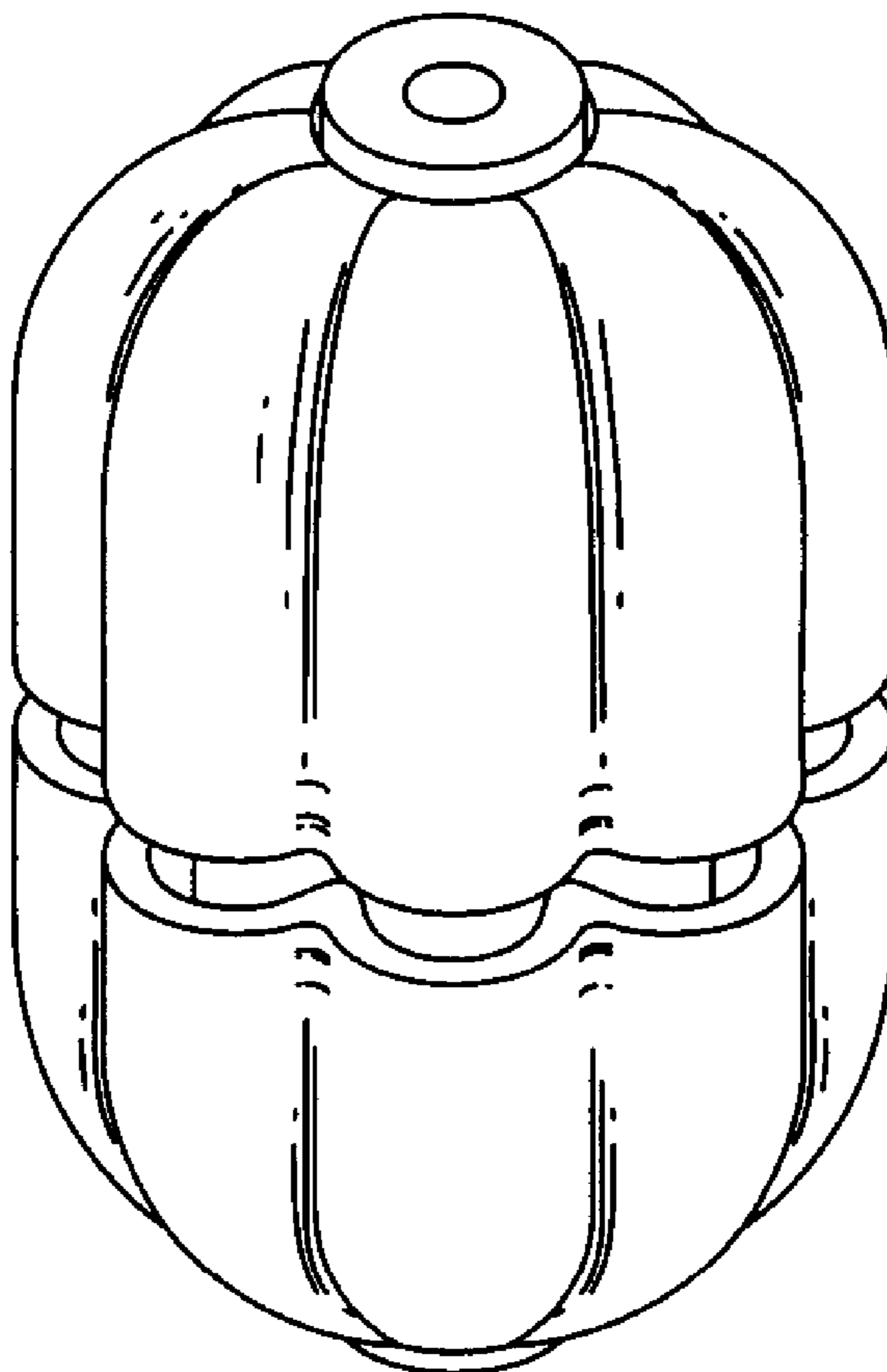
The broken lines are presented for illustrative purposes only  
and form no part of the claimed design.

(56) **References Cited**

U.S. PATENT DOCUMENTS

798,457	A	*	8/1905	Schmidt	.....	601/20
1,657,974	A	*	1/1928	Lee	.....	601/129
2,213,356	A	*	9/1940	Dunlap	.....	601/119
2,621,652	A	*	12/1952	Ehrhardt	.....	601/119
D197,750	S	*	3/1964	Rosenberg	.....	D24/211
D243,557	S	*	3/1977	Kientz	.....	D24/212
5,588,953	A	*	12/1996	Chang	.....	601/124
6,245,031	B1	*	6/2001	Pearson	.....	601/118

**1 Claim, 6 Drawing Sheets**



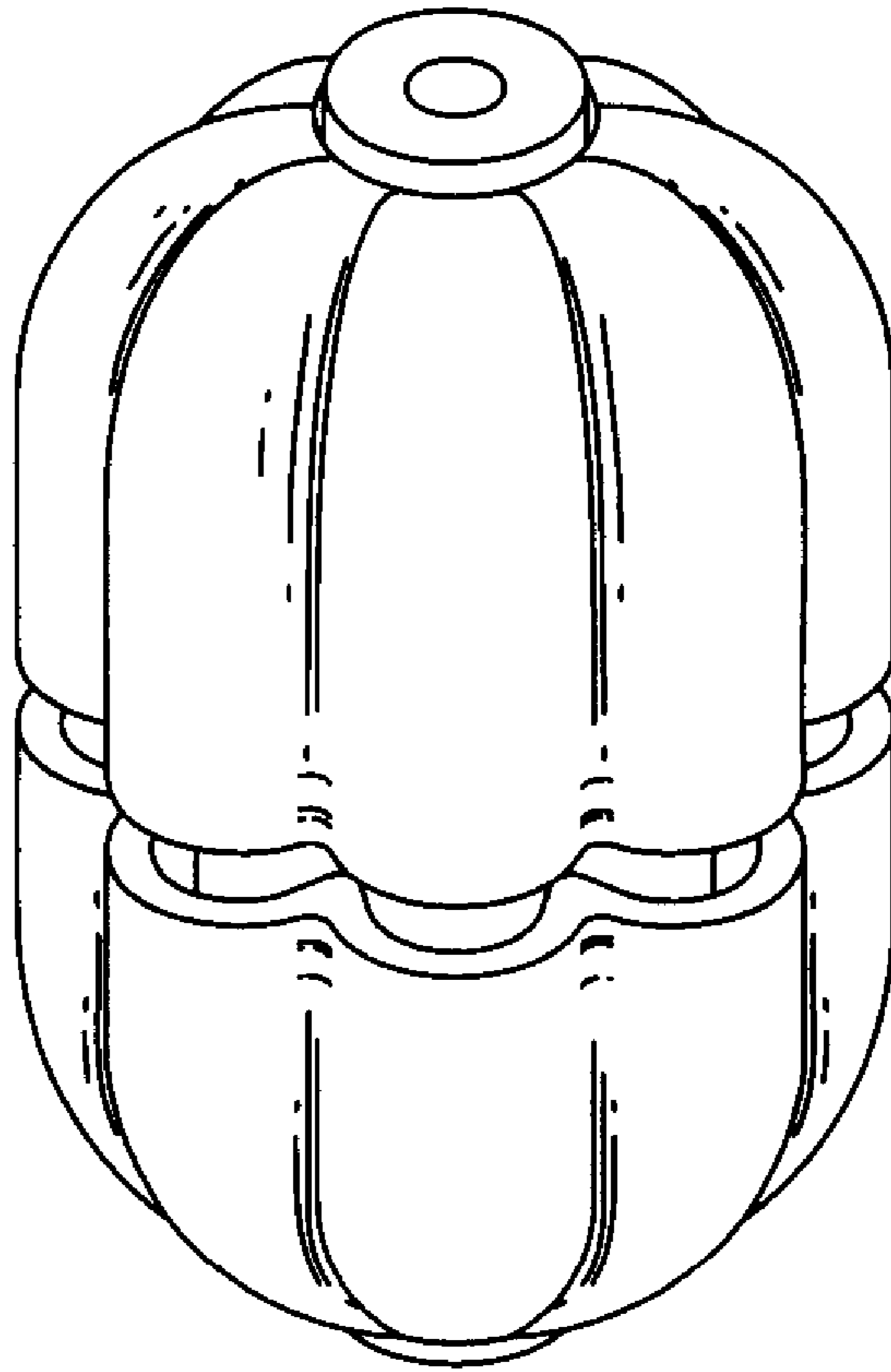


FIG.1

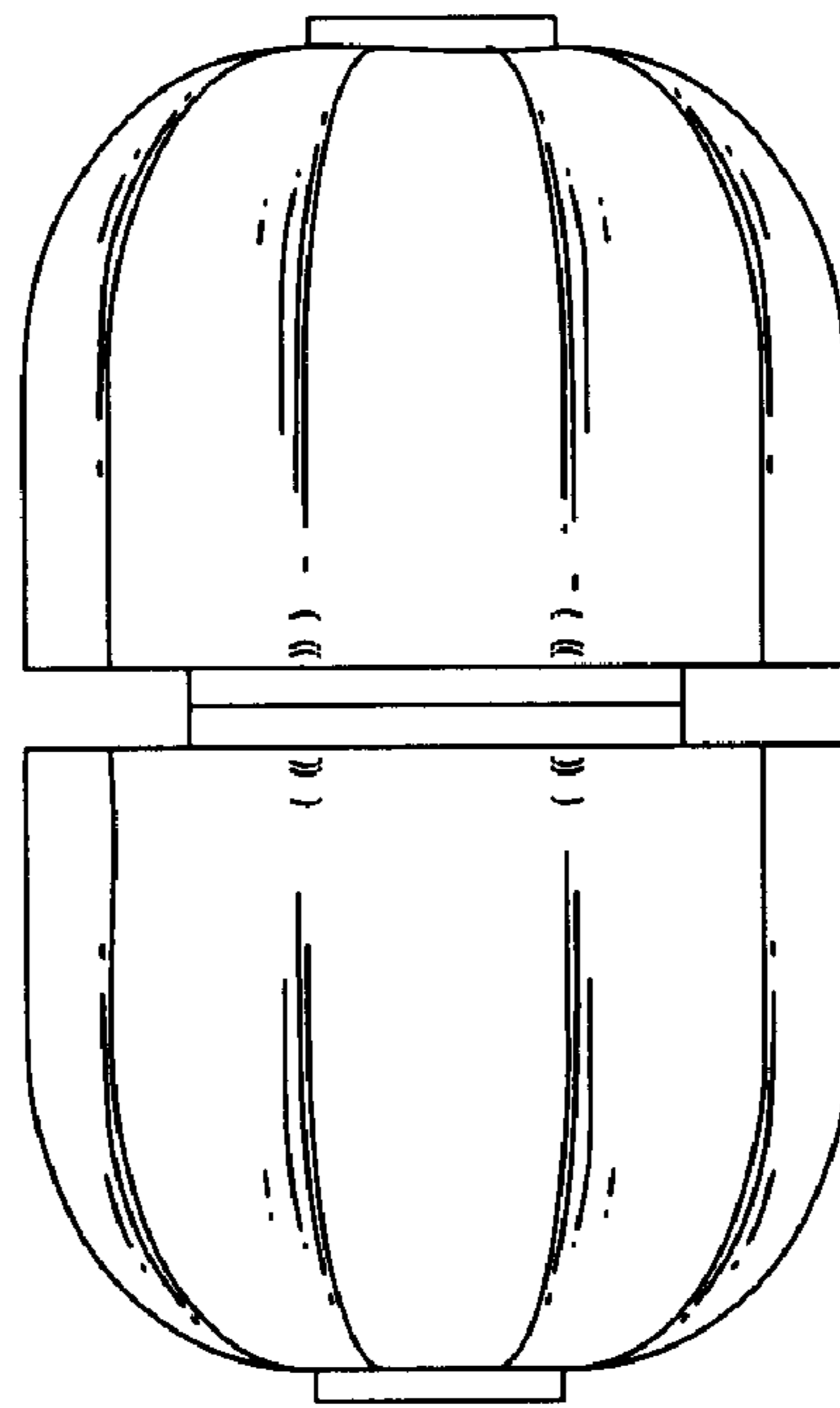


FIG. 2

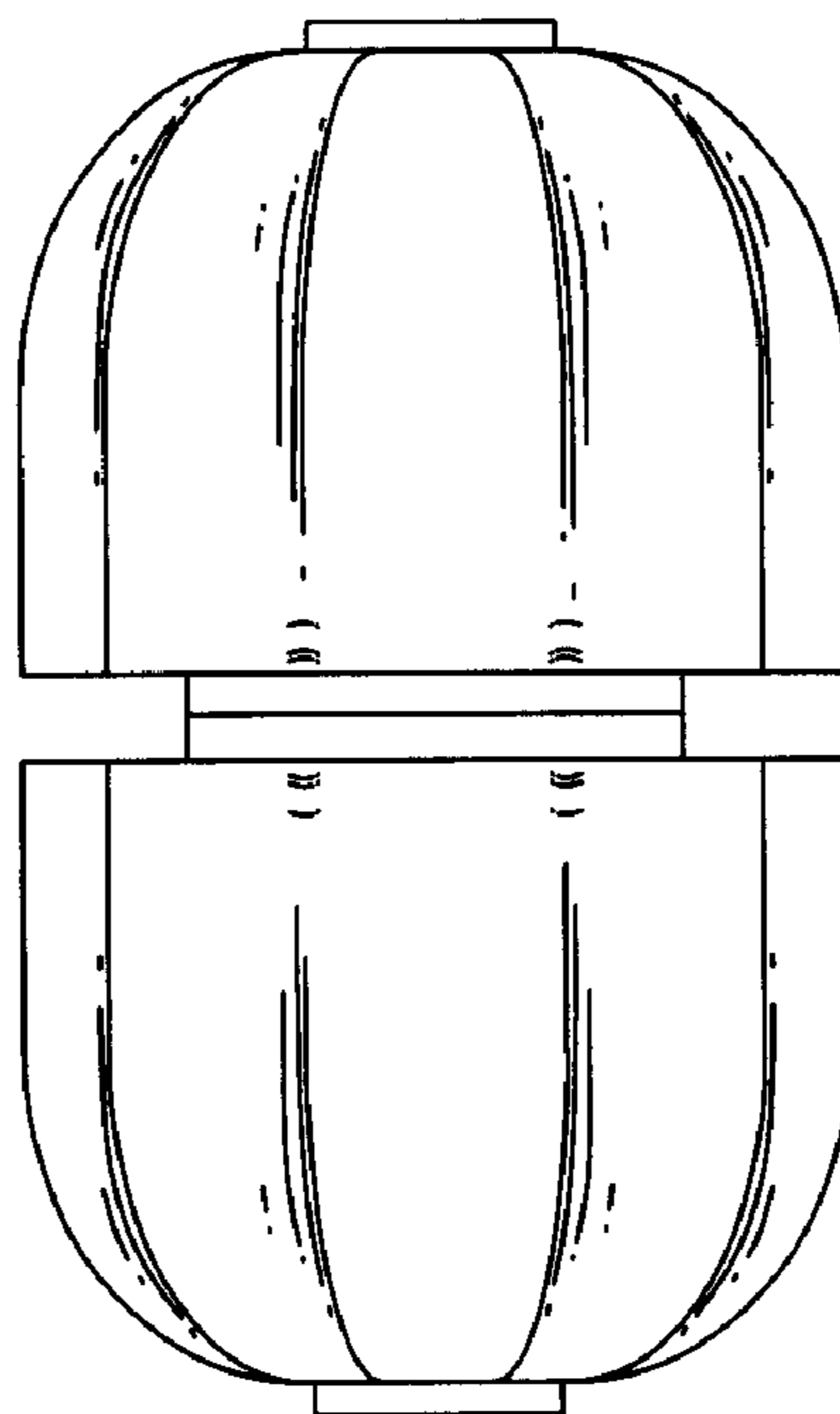


FIG. 3

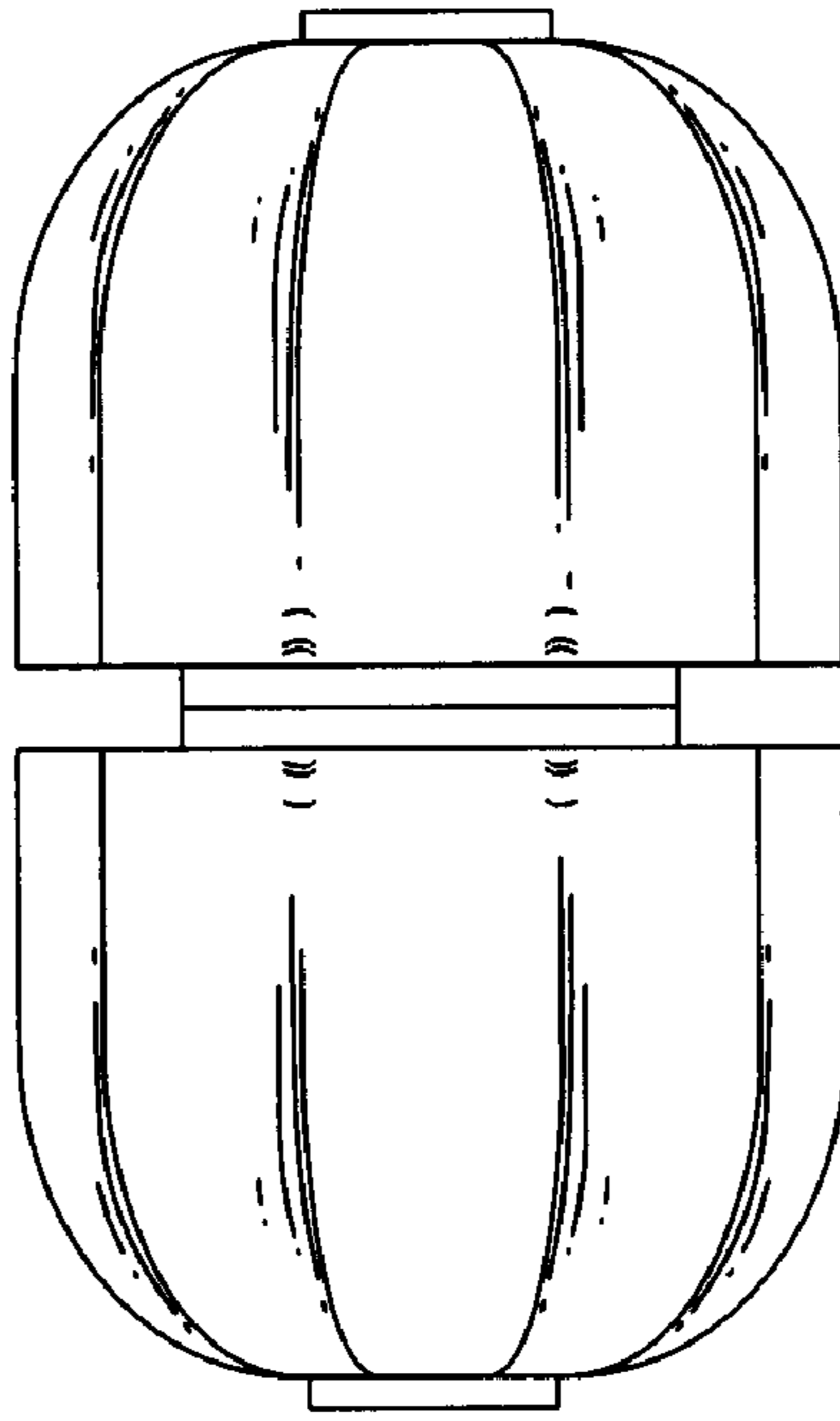


FIG. 4

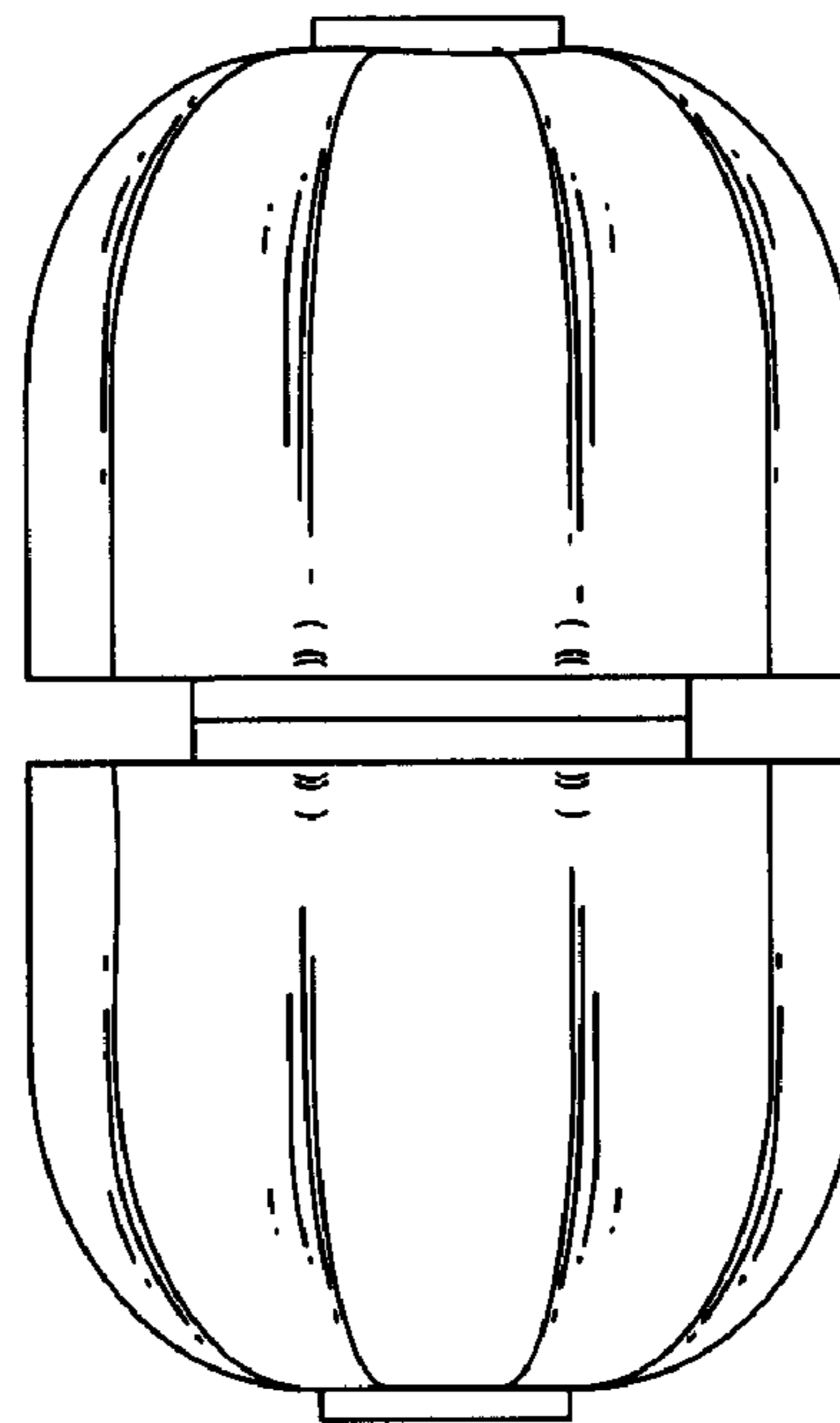


FIG. 5

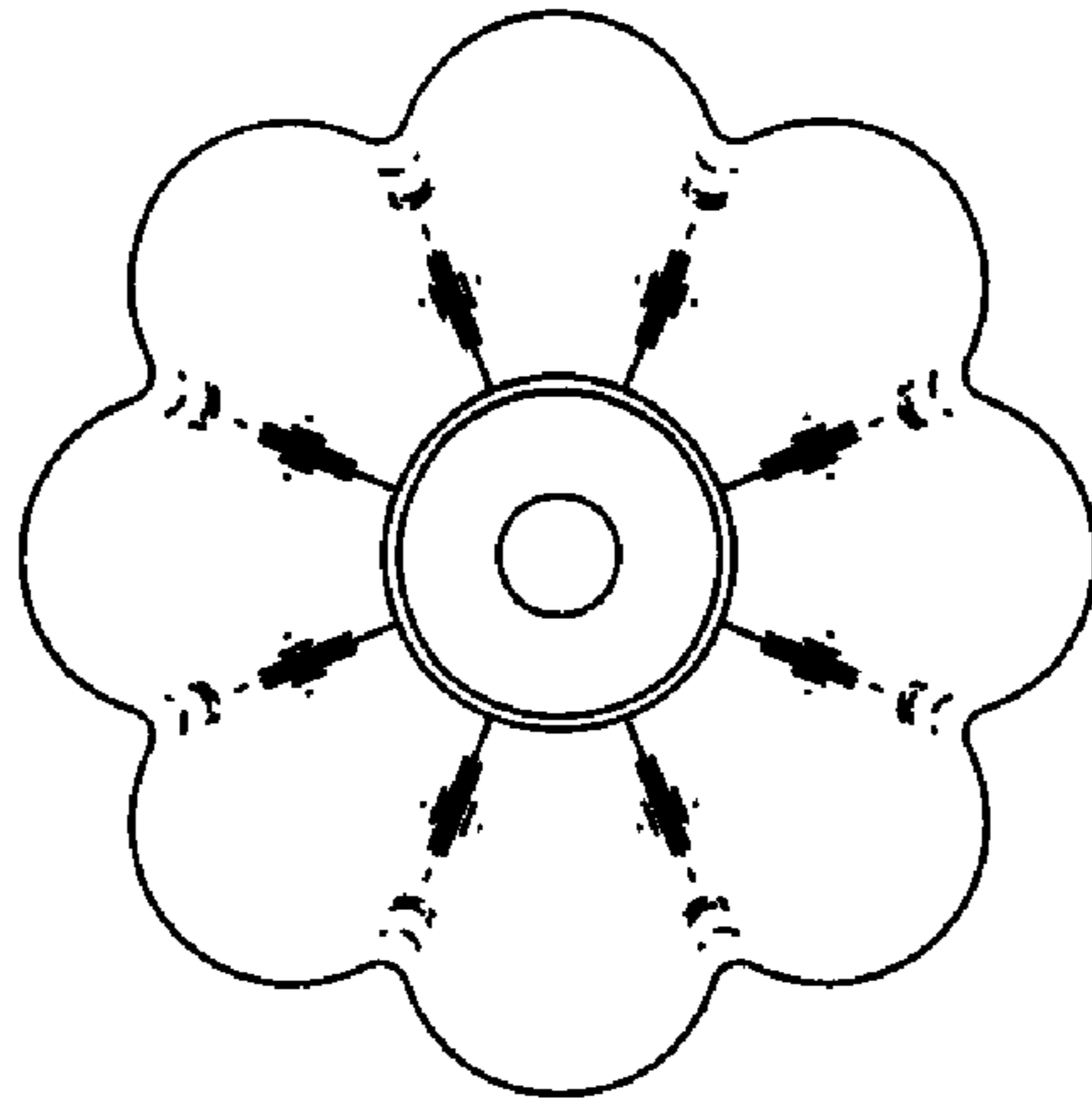


FIG. 6

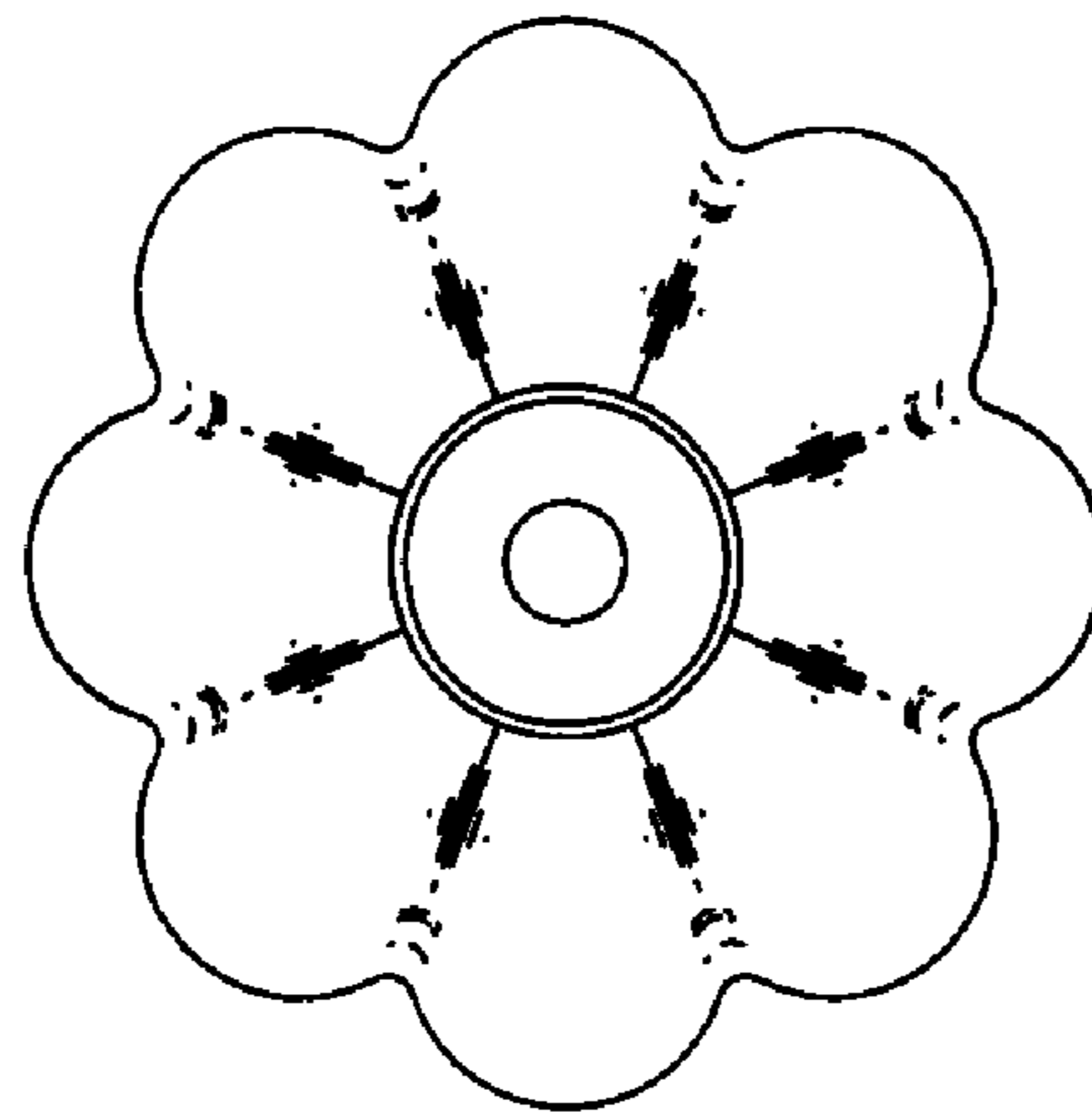


FIG. 7

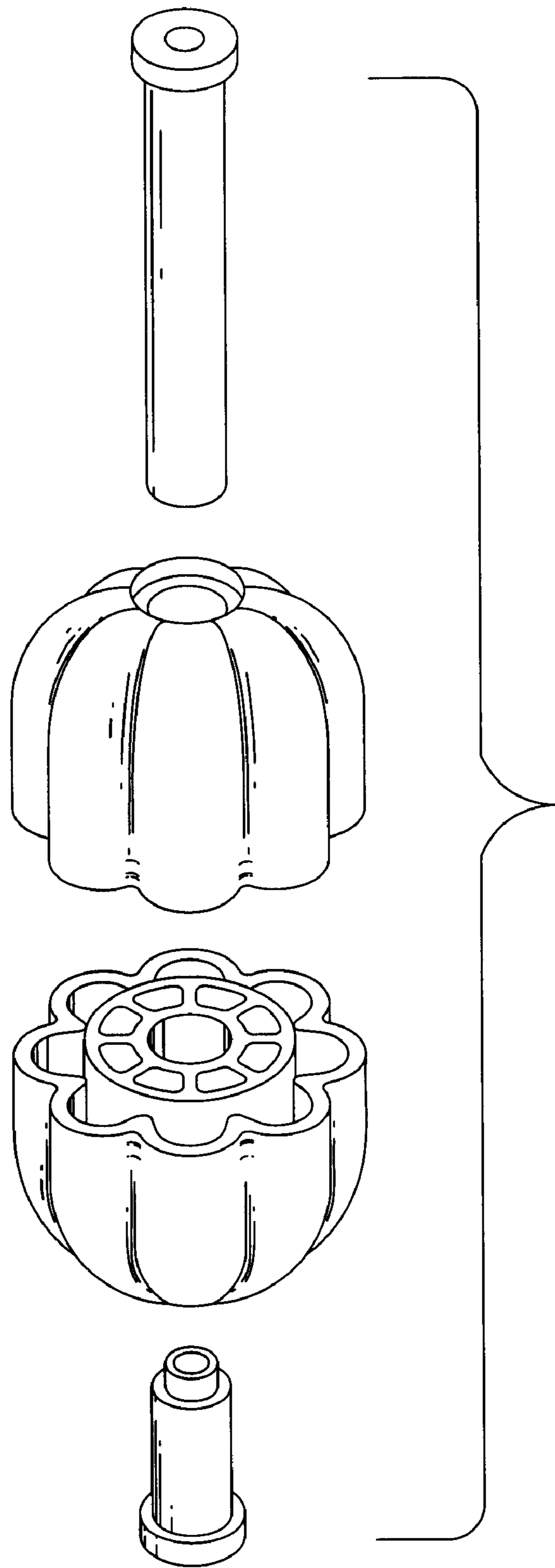


FIG. 8

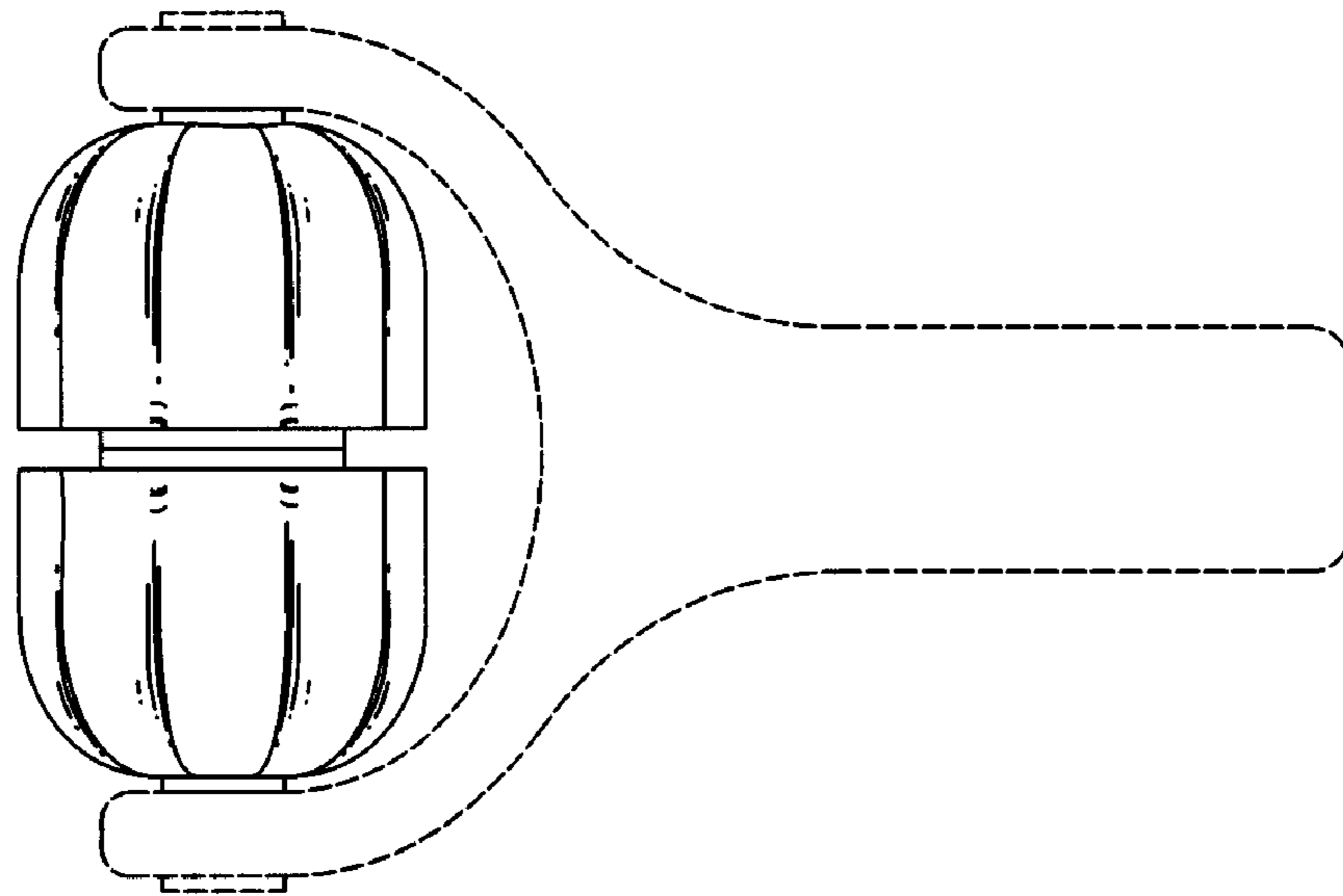


FIG. 9

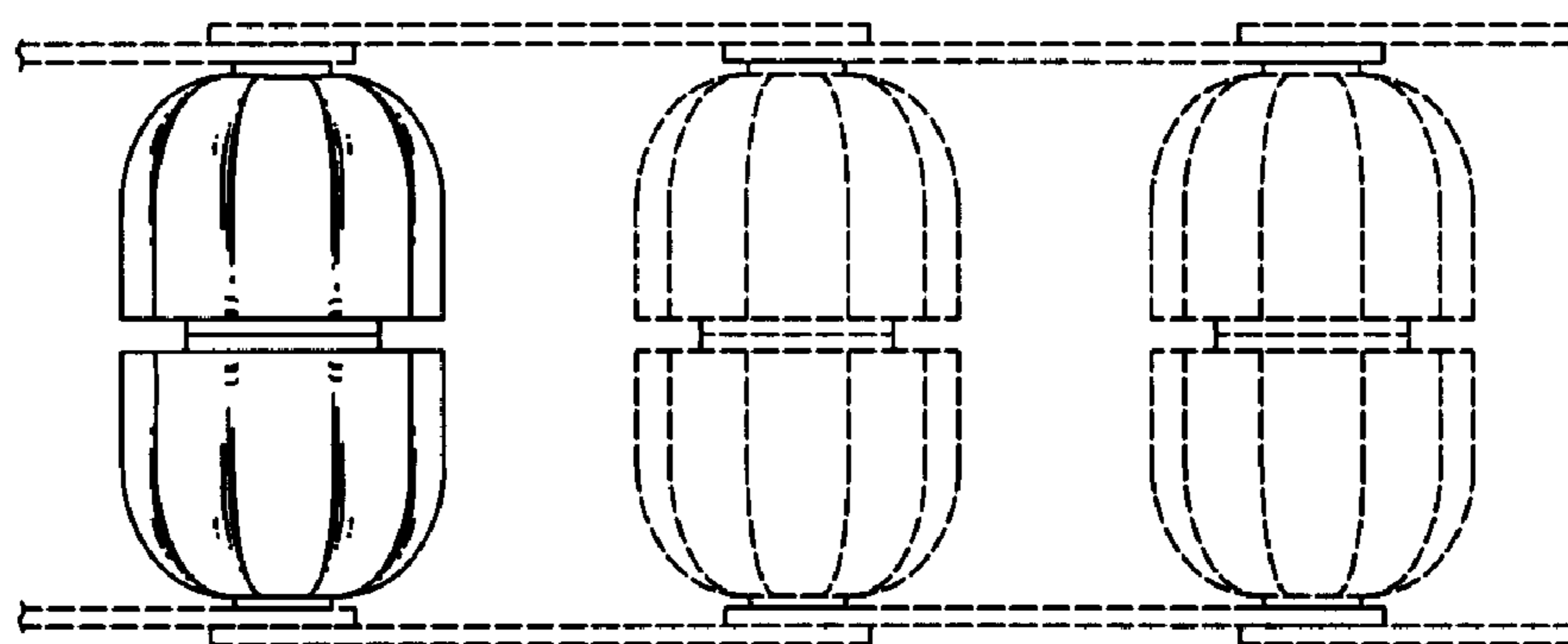


FIG. 10