

US00D527830S

(12) **United States Design Patent**
Chien

(10) **Patent No.:** **US D527,830 S**

(45) **Date of Patent:** **** Sep. 5, 2006**

(54) **MASSAGING DEVICE**

D465,029 S * 10/2002 Chen D24/212
D478,997 S * 8/2003 Viner D24/212

(76) **Inventor:** **Kuo-Ching Chien**, 2-1F., No. 18, Alley
47, Lane 208, Jui An Street, Ta An
District, Taipei (TW)

(**) **Term:** **14 Years**

(21) **Appl. No.:** **29/206,383**

(22) **Filed:** **May 28, 2004**

(51) **LOC (8) Cl.** **24-02**

(52) **U.S. Cl.** **D24/211; D24/212**

(58) **Field of Classification Search** D24/200,
D24/211-215; 601/22, 27-29, 102, 32, 113,
601/115, 118, 122, 128, 131, 134, 136; D30/160
See application file for complete search history.

(56) **References Cited**

U.S. PATENT DOCUMENTS

D242,826 S	*	12/1976	Posh et al.	D24/212
D257,883 S	*	1/1981	Holmberg	D24/212
D360,696 S	*	7/1995	Chien-Chung	D24/212
5,674,185 A	*	10/1997	Chang	601/122
D396,111 S	*	7/1998	Chien	D24/211
D405,887 S	*	2/1999	Antoskow	D24/211
D418,639 S	*	1/2000	Simon	D30/160
6,406,082 B1	*	6/2002	Telfer et al.	294/1.3

OTHER PUBLICATIONS

New Life Systems Catalogue: Spring 2002; p. 31; Foot
Massager; bottom right corner of page; from Google Cata-
logues.*

* cited by examiner

Primary Examiner—Cathy Anne MacCormac

Assistant Examiner—Melanie Levy

(57) **CLAIM**

The ornamental design for a massaging device, as shown
and described.

DESCRIPTION

FIG. 1 is a front perspective view of a massaging device,
showing my new design;

FIG. 2 is a front elevational view thereof;

FIG. 3 is a rear elevational view thereof.

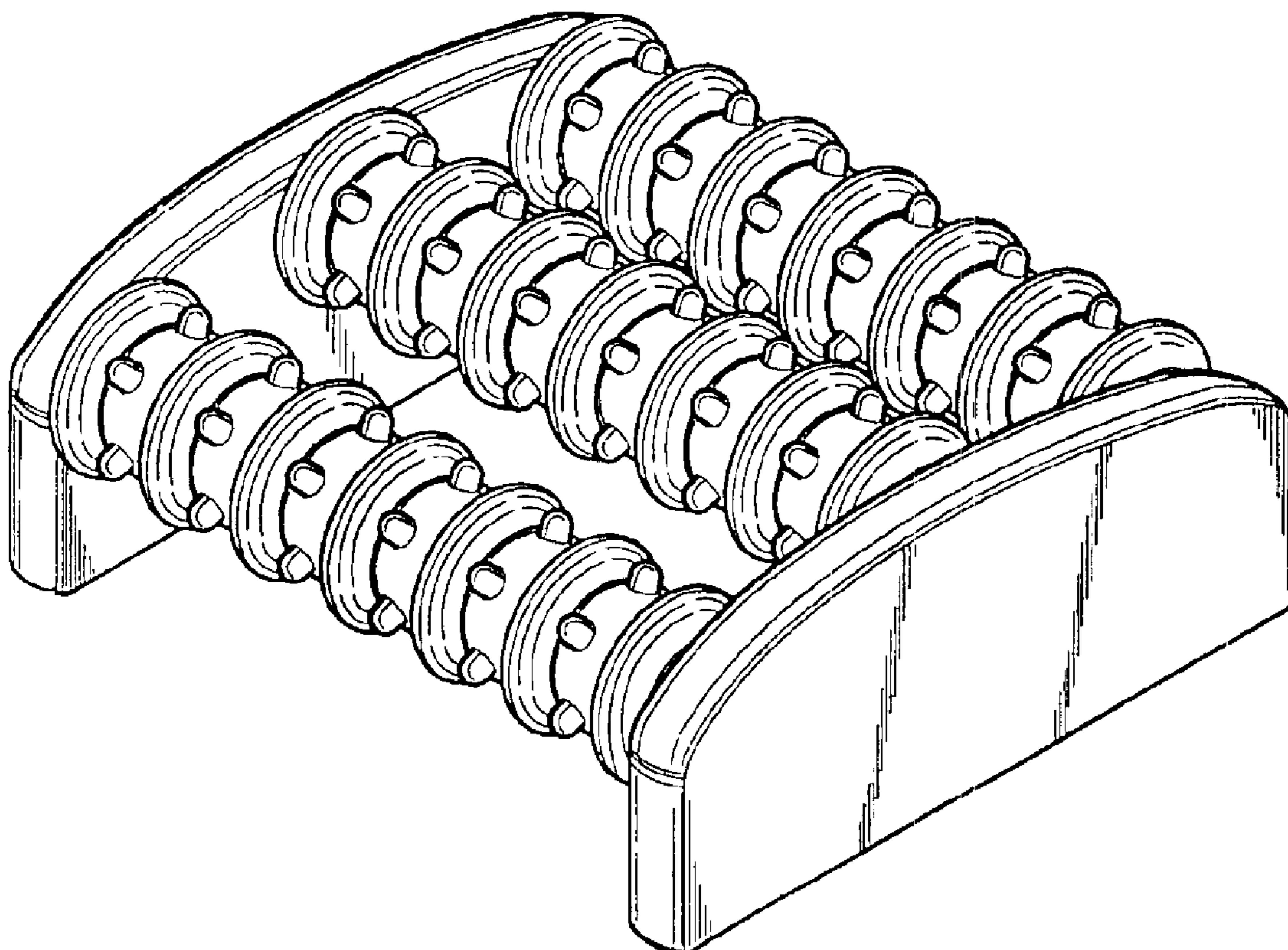
FIG. 4 is a left side elevational view thereof;

FIG. 5 is a right side elevational view thereof;

FIG. 6 is a bottom plan view thereof; and,

FIG. 7 is a top plan view thereof.

1 Claim, 4 Drawing Sheets



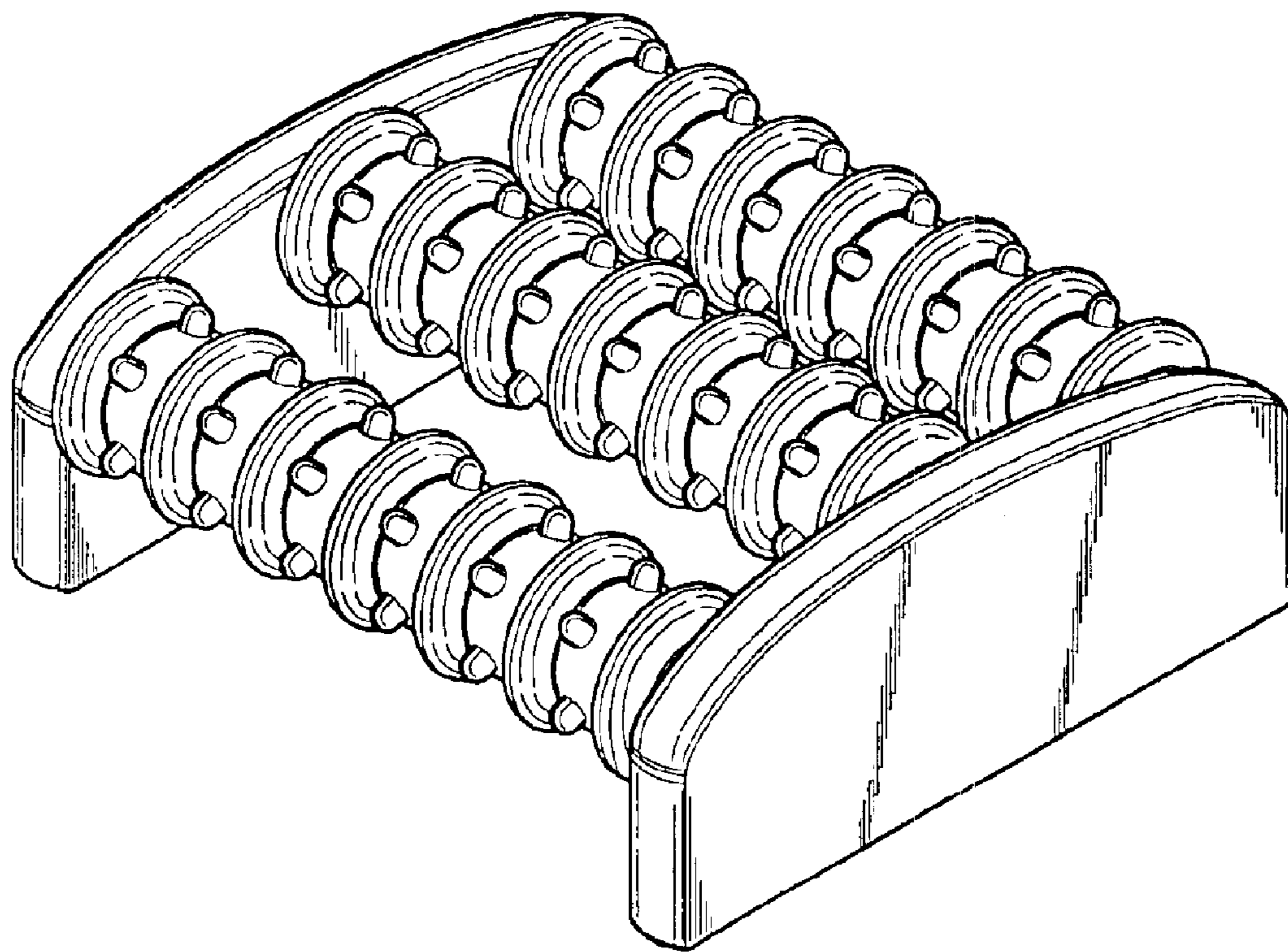


Fig. 1

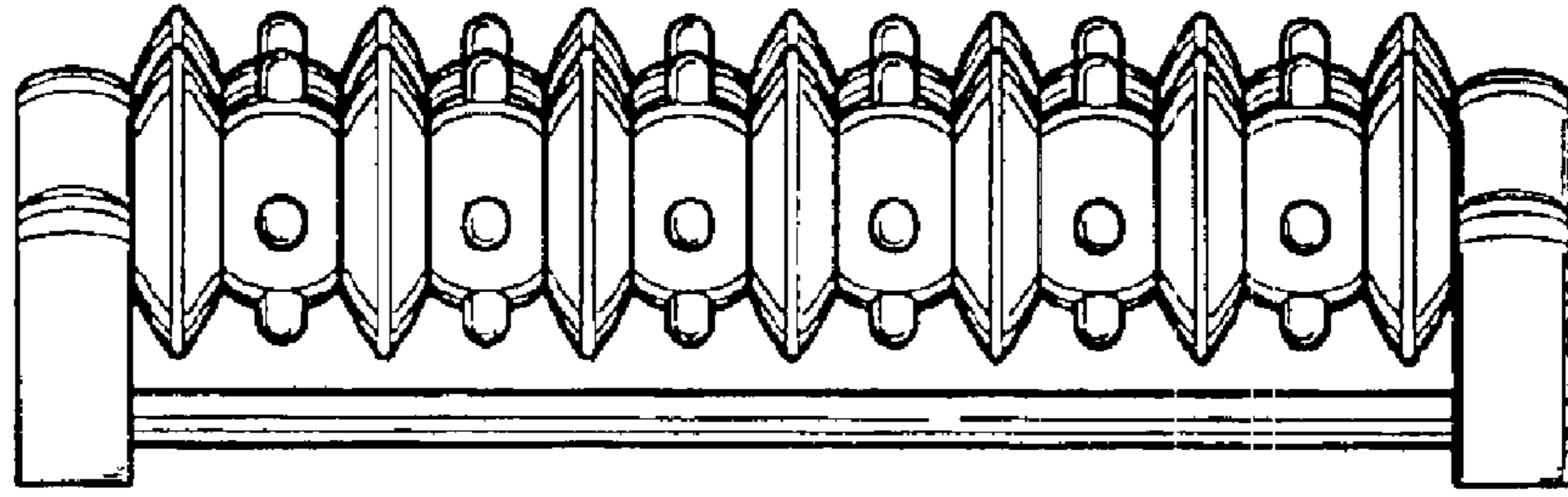


Fig. 2

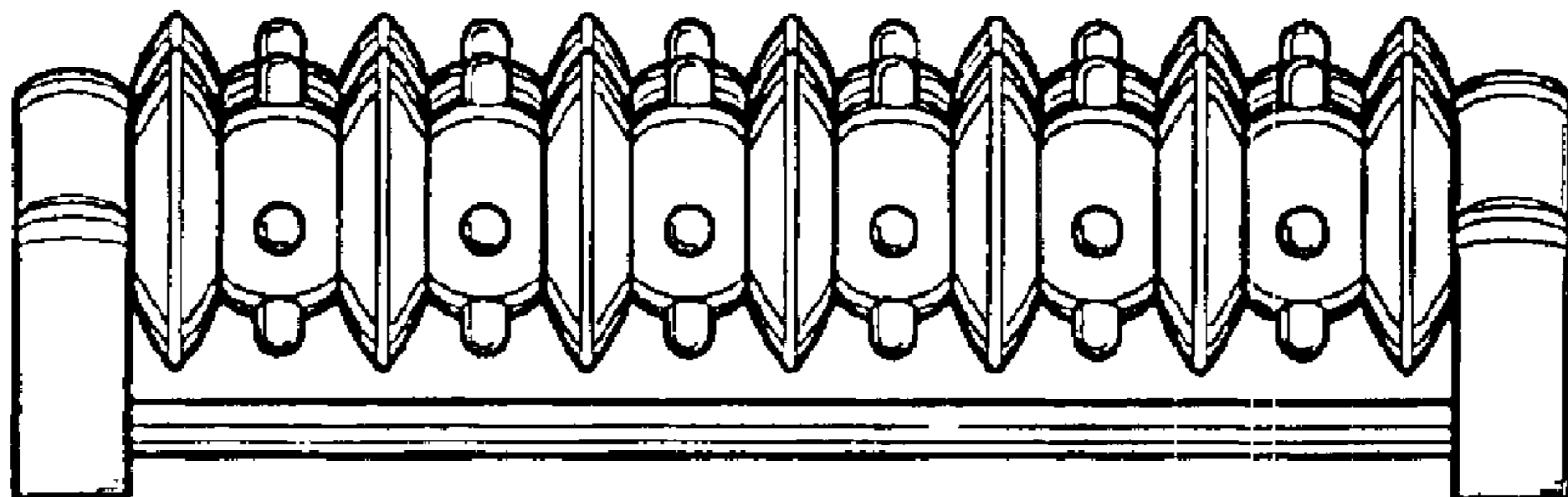


Fig. 3

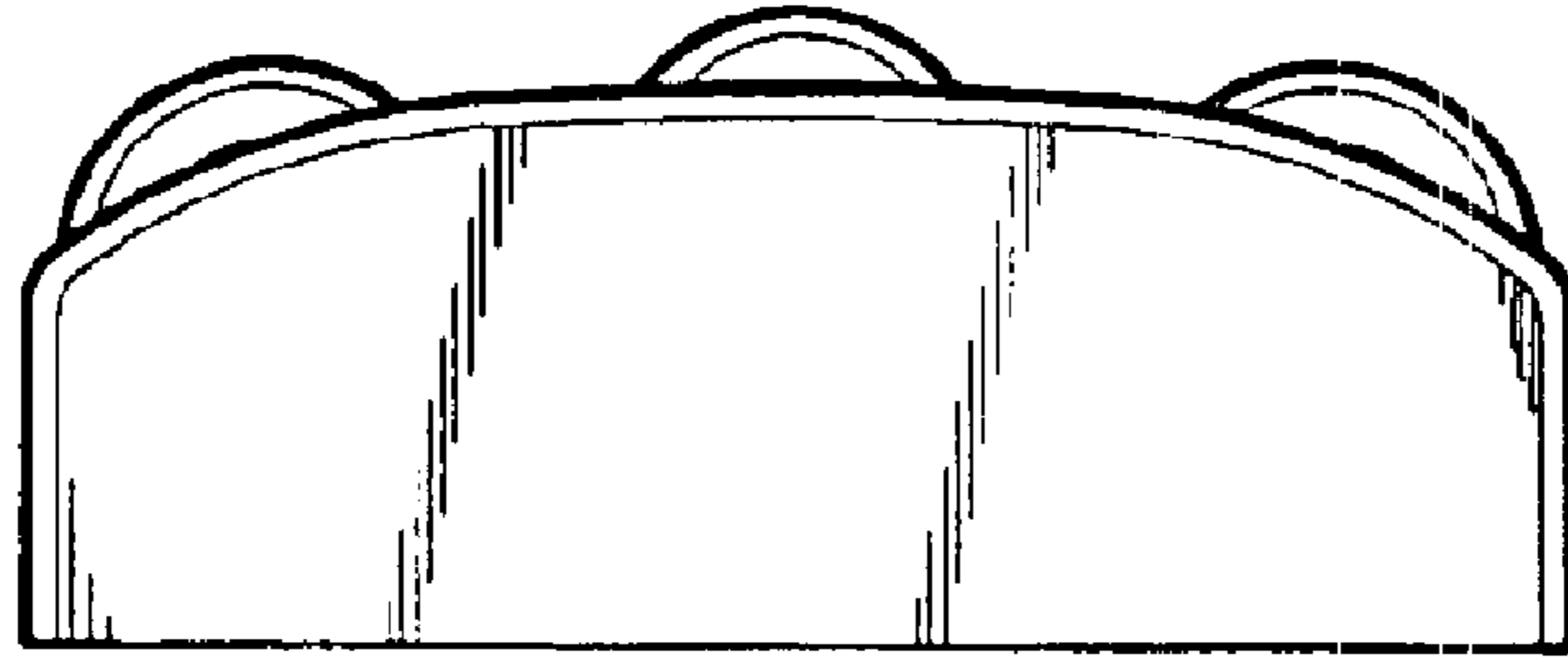


Fig. 4

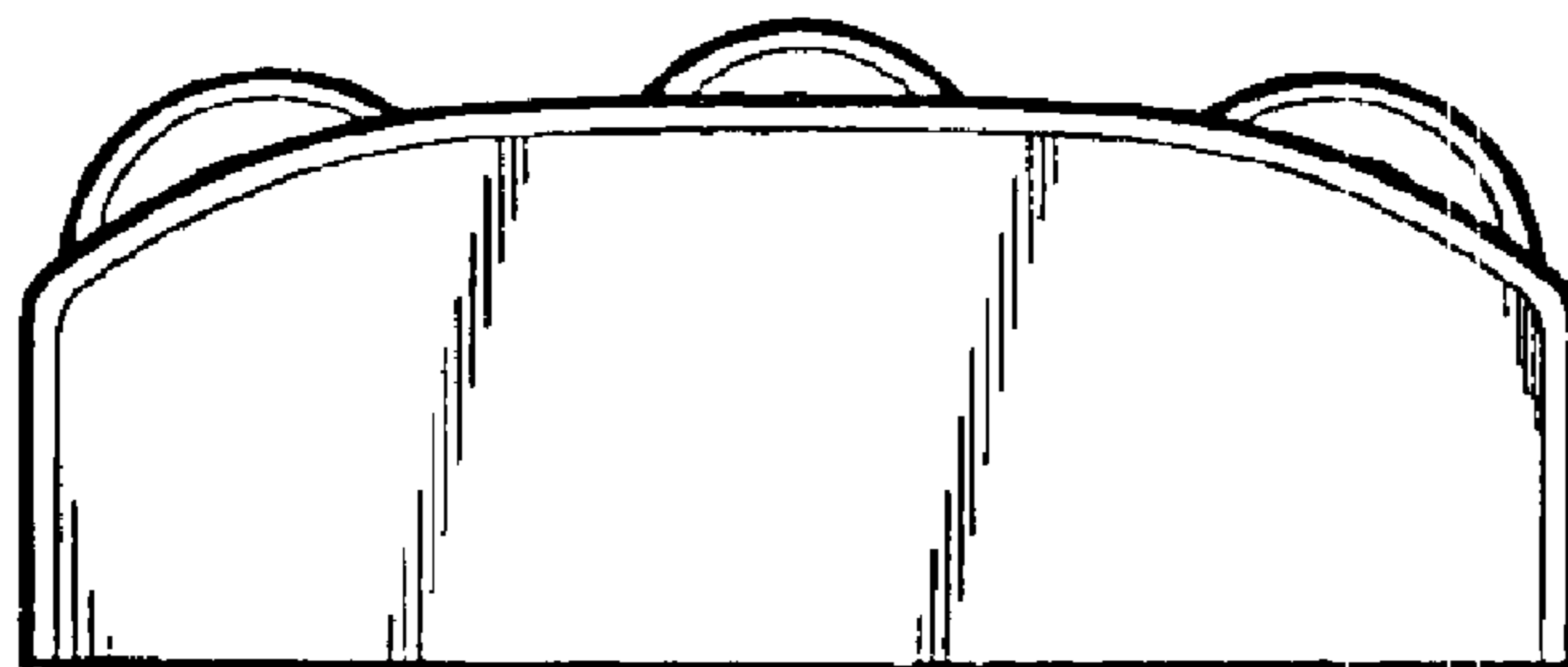


Fig. 5

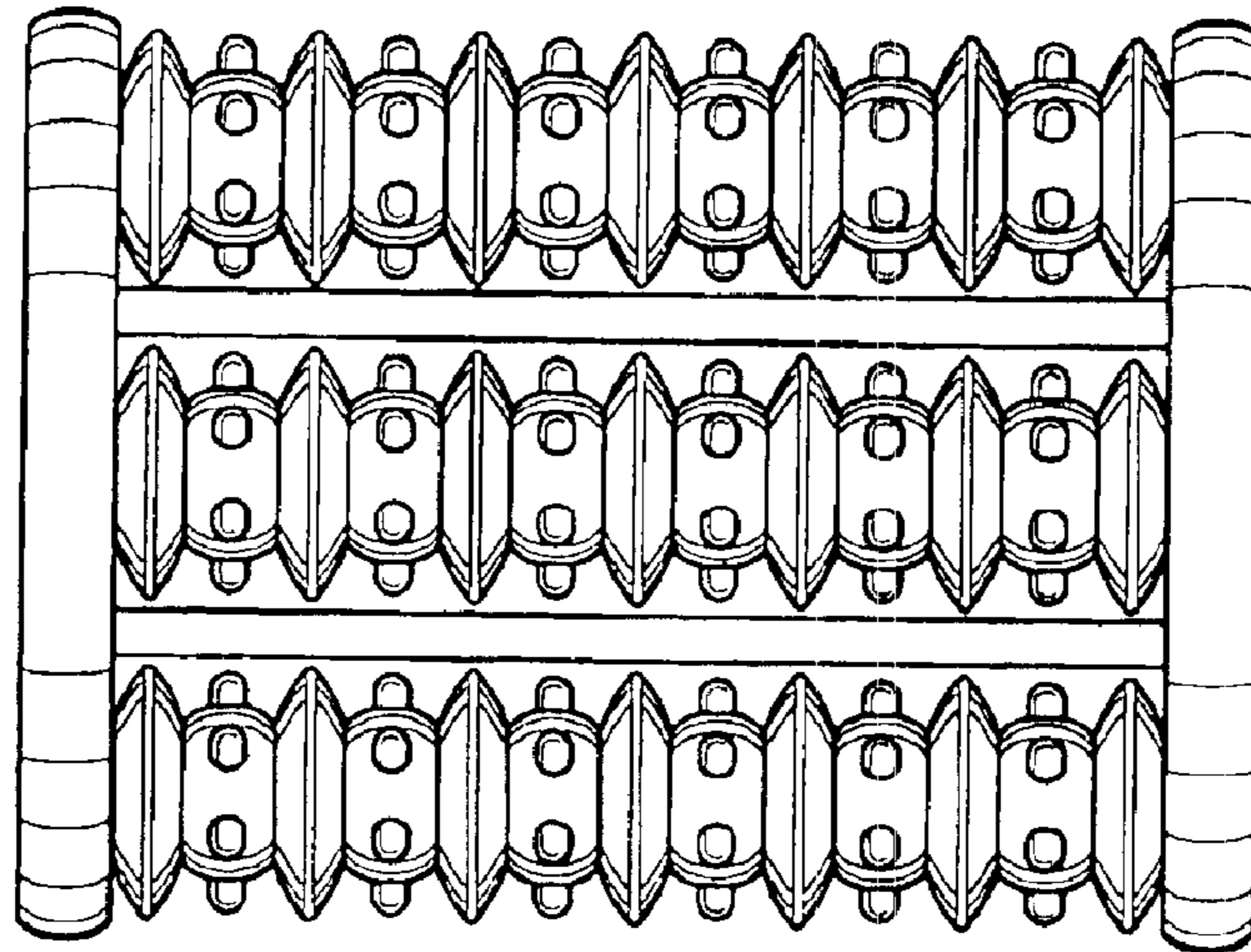


Fig. 6

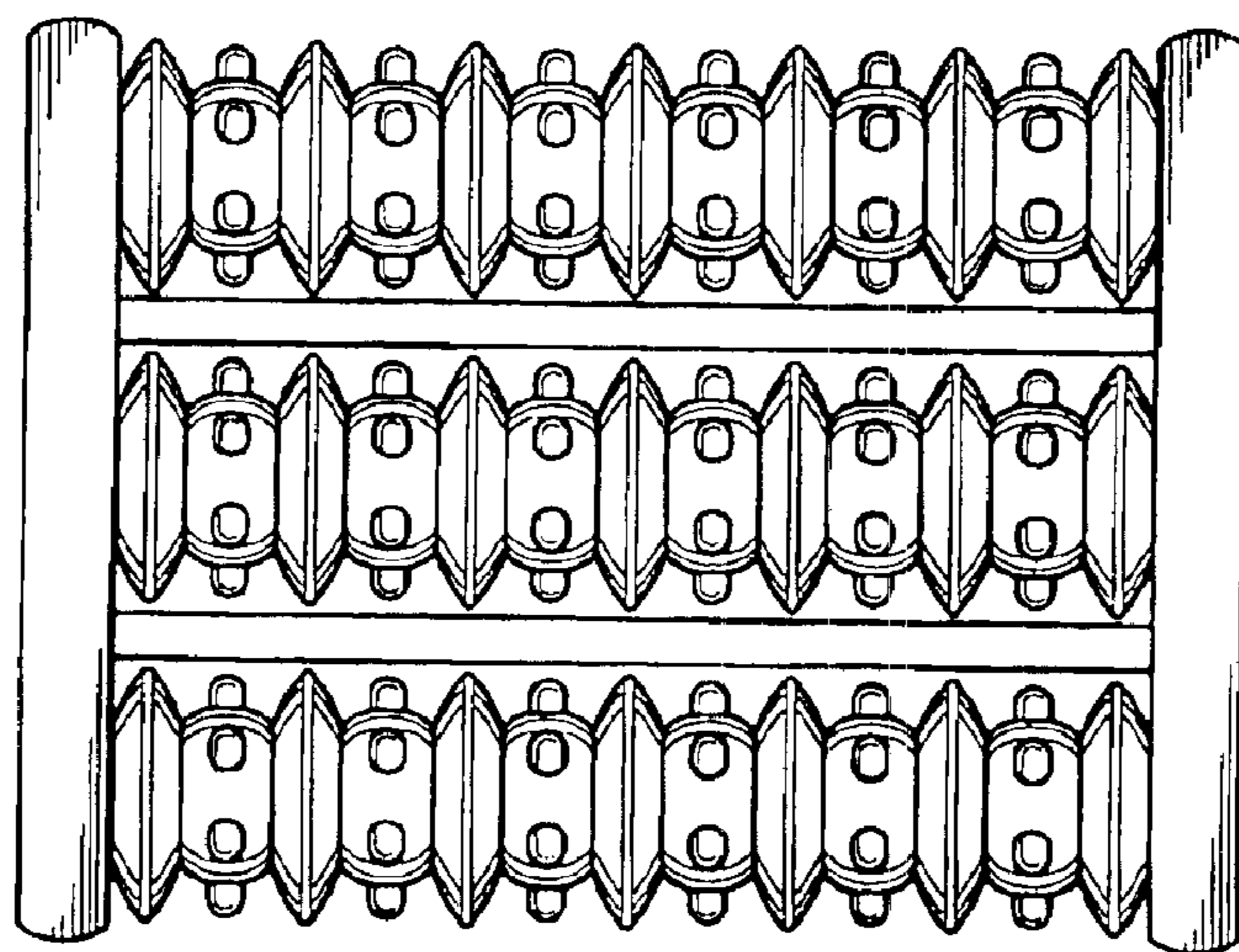


Fig. 7