

US00D527827S

(12) **United States Design Patent**  
**Spicer**

(10) **Patent No.:** **US D527,827 S**

(45) **Date of Patent:** **\*\* Sep. 5, 2006**

(54) **SPA**

D387,870 S \* 12/1997 Larsen ..... D24/204  
6,058,521 A \* 5/2000 O'Brien ..... 4/541.1

(76) **Inventor:** **Wade L. Spicer**, Box 287, Talmedge  
HL S, Waverly, NY (US) 14892

**OTHER PUBLICATIONS**

(\*\*) **Term:** **14 Years**

Where Imagination Swims Wild, Aqua Leader pamphlet [no date provided].

(21) **Appl. No.:** **29/204,133**

FOXXX Spas. Simply Heavenly, The Finest In Comfort, Relaxation, and Hot Water Luxury pamphlet [no date provided].

(22) **Filed:** **Apr. 23, 2004**

Emerald Spas, 2003 model year pamphlet.

(51) **LOC (8) Cl.** ..... **23-02**

(52) **U.S. Cl.** ..... **D24/204**

(58) **Field of Classification Search** ..... D24/201,  
D24/204, 206; D23/277; 601/154-158; 4/541.1-541.6,  
4/547, 578.1, 579

See application file for complete search history.

\* cited by examiner

*Primary Examiner*—Ian Simmons

*Assistant Examiner*—Melanie Levy

(74) *Attorney, Agent, or Firm*—Thomas R. Shaffer, Esq.

(56) **References Cited**

(57) **CLAIM**

I claim the ornamental design for a spa, as shown.

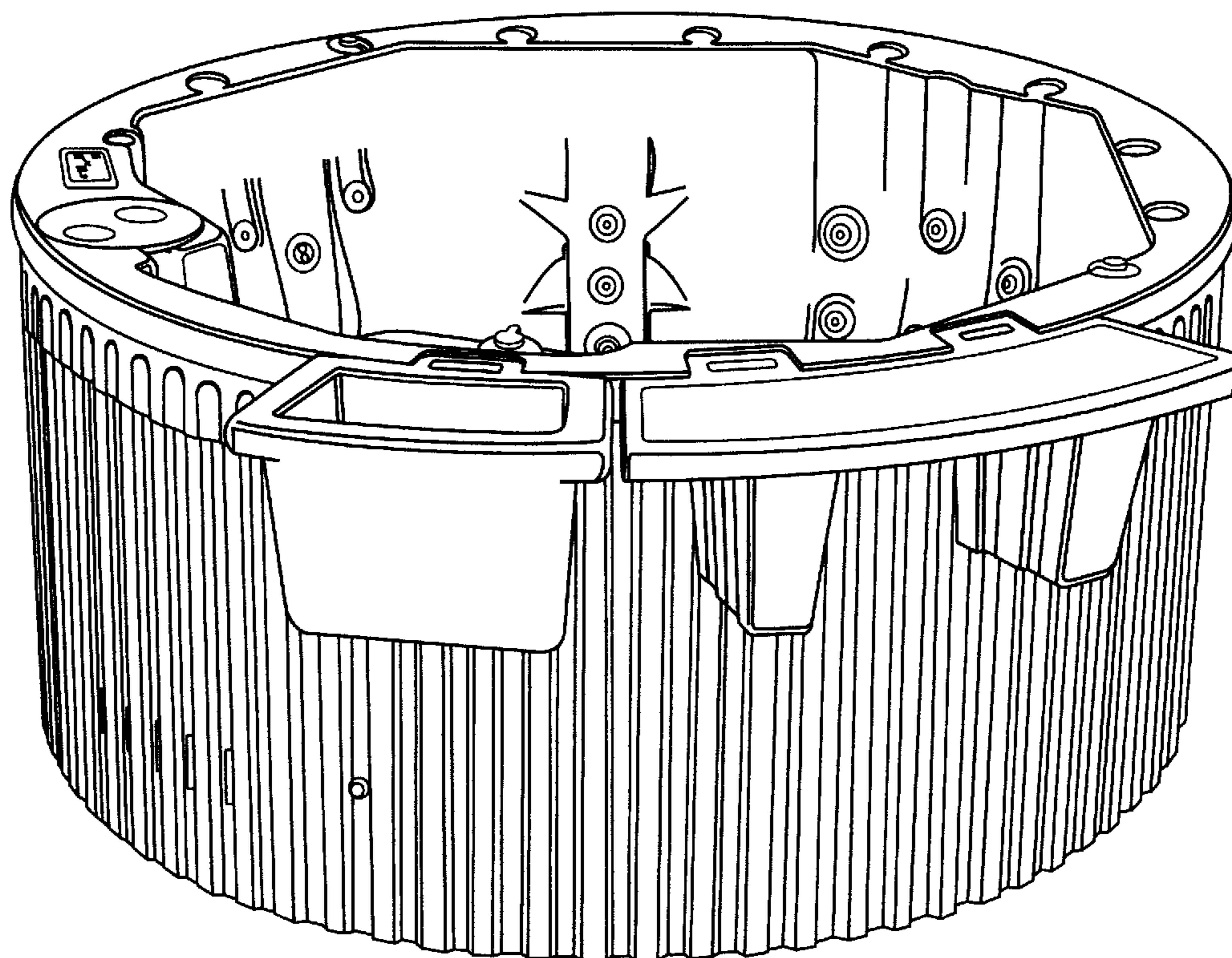
**U.S. PATENT DOCUMENTS**

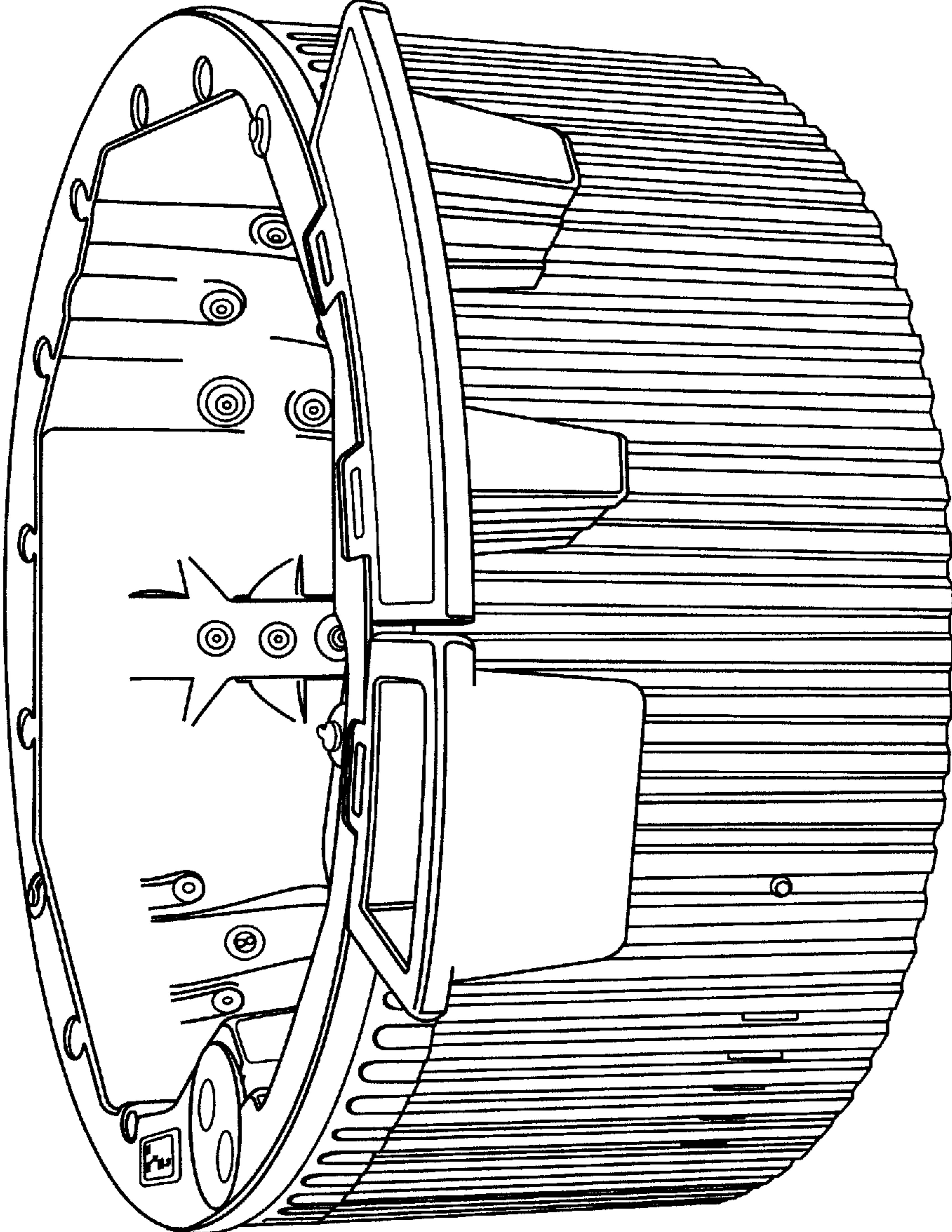
**DESCRIPTION**

D254,447 S	*	3/1980	Reineman	.....	D24/204
D254,988 S	*	5/1980	Jones et al.	.....	D24/204
D264,505 S	*	5/1982	Reineman	.....	D24/204
D264,626 S	*	5/1982	D'Innocente et al.	.....	D24/204
D265,345 S	*	7/1982	Doman	.....	D24/204
4,339,833 A	*	7/1982	Mandell	.....	4/541.6
D267,043 S	*	11/1982	Kingsley et al.	.....	D24/204
D294,389 S	*	2/1988	Brodeur et al.	.....	D24/205
D304,236 S	*	10/1989	Giese et al.	.....	D24/204
D368,530 S	*	4/1996	Lawing et al.	.....	D24/204
D377,531 S	*	1/1997	Bartlett et al.	.....	D24/204

FIG. 1 is a perspective view of my new design.  
FIG. 2 is a top view of my new design shown with side trays removed for ease of illustration.  
FIG. 3 is a bottom view of my design shown with side trays removed for ease of illustration; and,  
FIG. 4 is a side view of my new design shown with side trays removed for ease of illustration.

**1 Claim, 4 Drawing Sheets**





**Fig. 1**

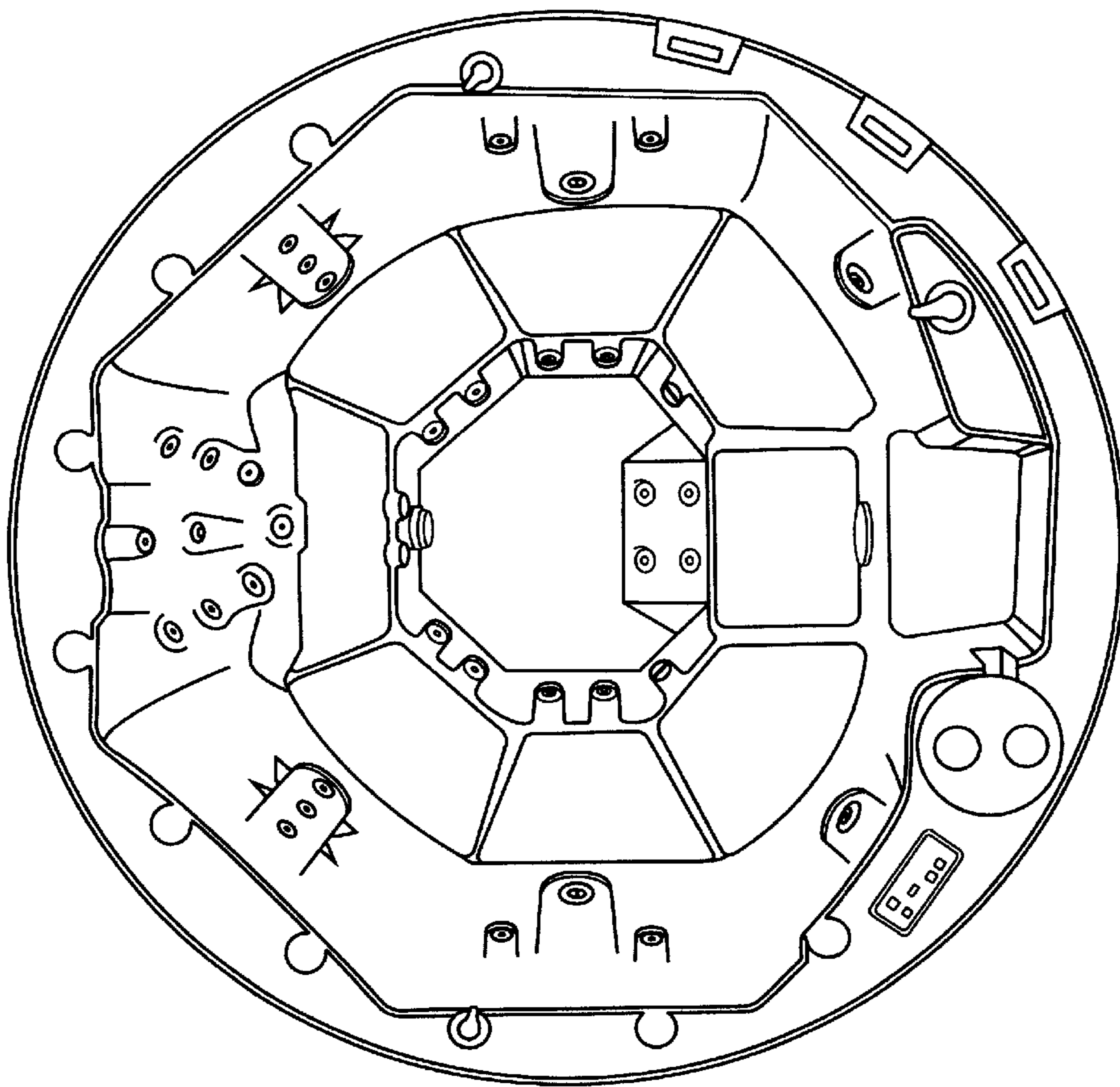
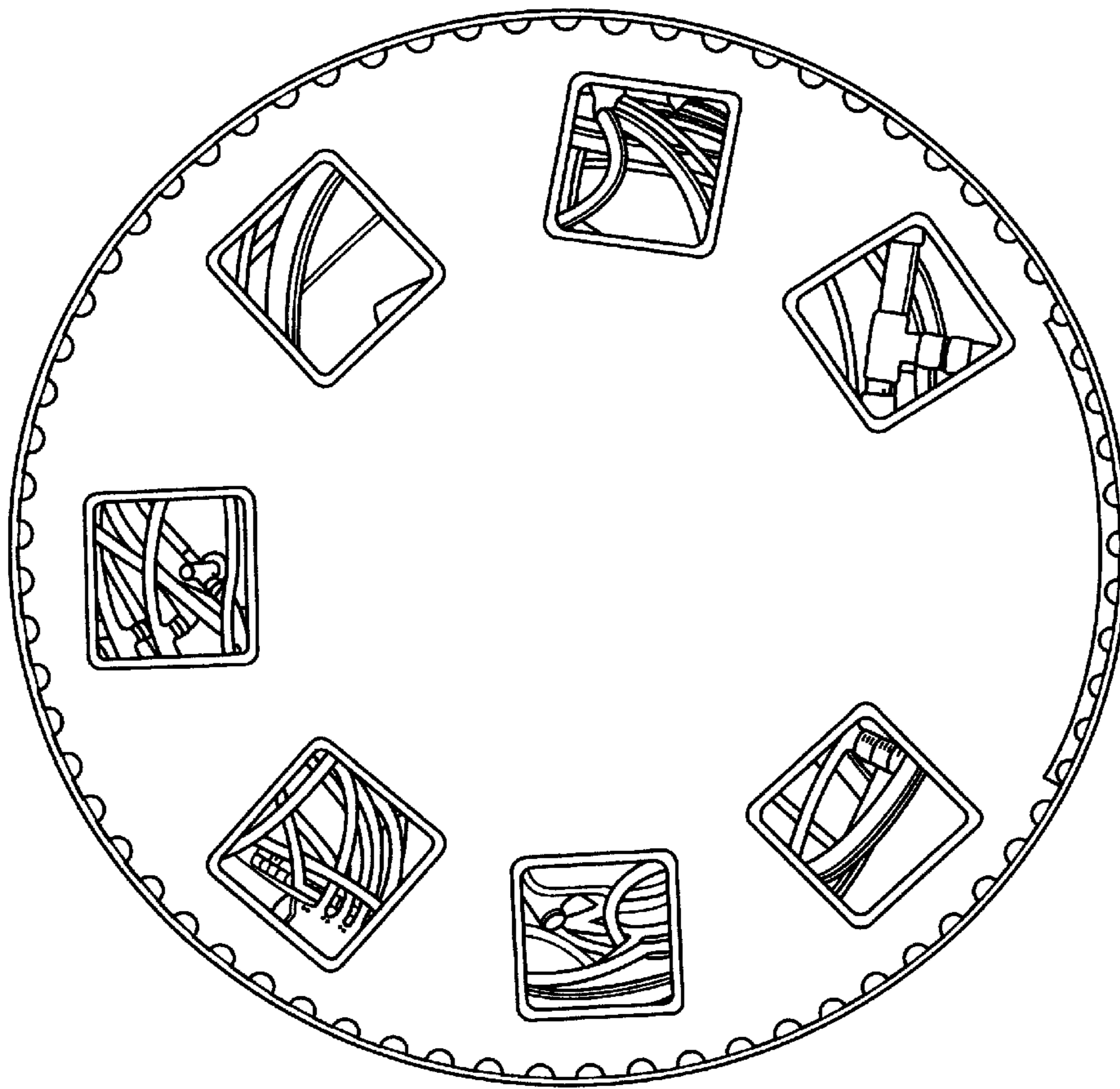
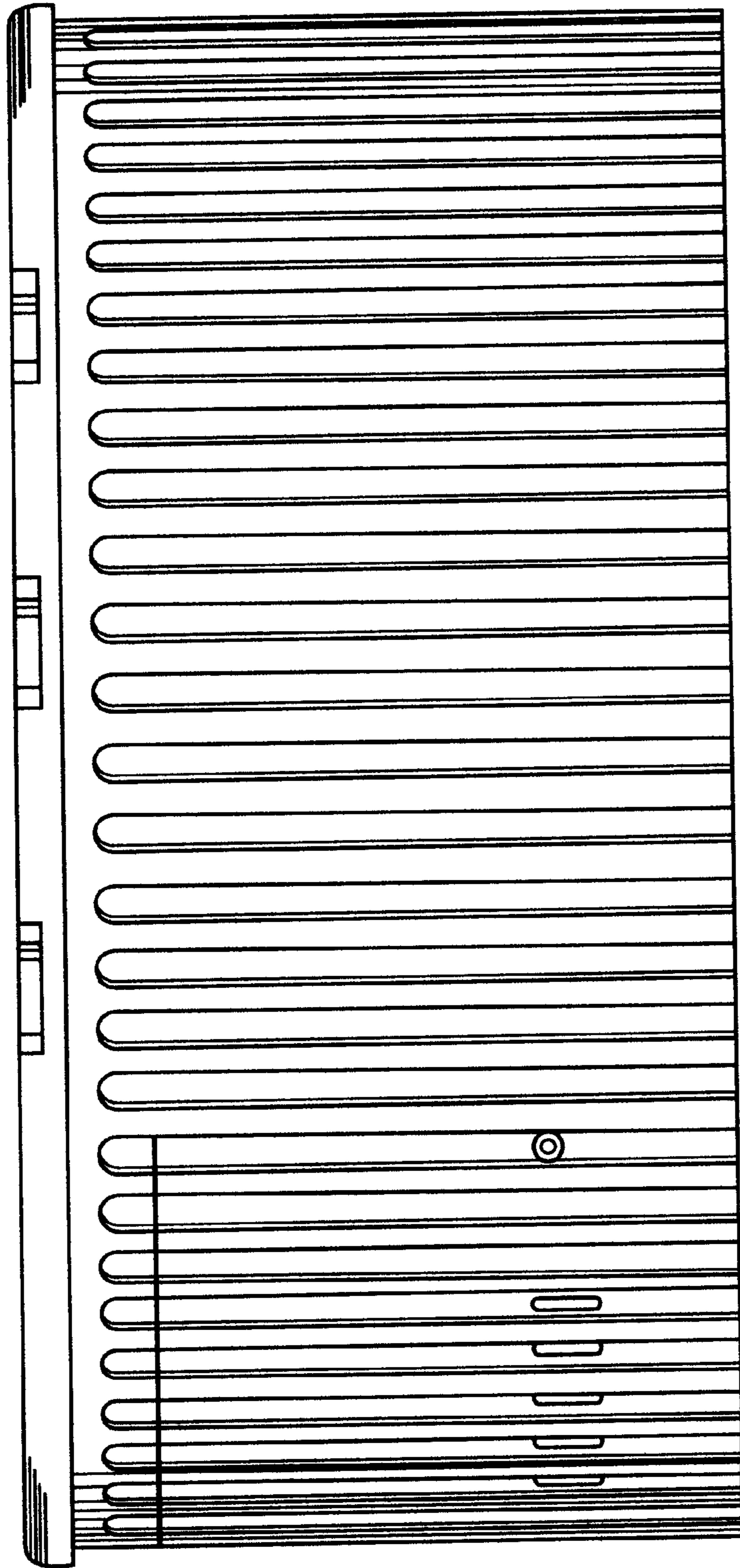


Fig. 2



**Fig. 3**



**Fig. 4**