

US00D527820S

(12) **United States Design Patent** (10) **Patent No.:** **US D527,820 S**
Solar et al. (45) **Date of Patent:** **** *Sep. 5, 2006**

(54) **FIDUCIAL MARKER** 4,991,579 A 2/1991 Allen 128/653 R

(75) Inventors: **Matthew S. Solar**, Indialantic, FL (US); **Thomas L. Bridges**, Melbourne Beach, FL (US); **David M. Lee**, Melbourne Beach, FL (US); **Mark Stephen Freas**, Indialantic, FL (US); **Rudy A. Mazzocchi**, Indian Harbor Beach, FL (US)

(Continued)
FOREIGN PATENT DOCUMENTS

EP 1033113 A1 9/2000
EP 1249207 A2 10/2002
WO WO-2004075768 A2 9/2004

(73) Assignee: **Image-Guided Neurologics, Inc.**, Melbourne, FL (US)

(*) Notice: This patent is subject to a terminal disclaimer.

(**) Term: **14 Years**

(21) Appl. No.: **29/199,266**

(22) Filed: **Feb. 12, 2004**

OTHER PUBLICATIONS
“Acustar”, *Z-KAT, Inc.*, <http://www.z-kat.com/acustar.htm>, (2002),5 pages.
“Multi-Modality Radiographic Markers”, *IZI Medical Products*, <http://www.izimed.com>,(2002),pp. 1-12.
Leibinger, “Summary Of Safety And Effectiveness”, *Marker System for Stereotaxic Navigation*, (Mar. 1996),pp. 38-46.
Solar, M. S., et al., “Fiducial Marker”, U.S. Appl. No. 29/199,249, filed Feb. 12, 2004.
“Bone Anchor”, U.S. Appl. No. 10/405,881, filed Apr. 2, 2003.

Related U.S. Application Data

(63) Continuation-in-part of application No. 10/688,801, filed on Oct. 17, 2003, and a continuation-in-part of application No. 10/454,786, filed on Jun. 4, 2003, which is a continuation-in-part of application No. 10/374,677, filed on Feb. 25, 2003.

(51) **LOC (8) Cl.** **24-02**

(52) **U.S. Cl.** **D24/140**

(58) **Field of Classification Search** D24/158, D24/155, 146, 140; D8/7, 300, 308; D20/25, D20/26; 600/414, 426, 407, 429; 378/162, 378/163, 204, 205, 164, 170; 346/23; D21/498, D21/385, 386; 623/23.11, 23.26; 63/12; 606/130
See application file for complete search history.

(56) **References Cited**

U.S. PATENT DOCUMENTS

2,650,588 A * 9/1953 Radcliffe 623/23.11
D274,117 S * 6/1984 Lapps D8/7
D306,190 S * 2/1990 Poulsen D21/498
4,945,914 A 8/1990 Allen 128/653 R

Primary Examiner—Louis S. Zarfaz
Assistant Examiner—Daniel Yu
(74) *Attorney, Agent, or Firm*—Schwegman, Lundberg, Woessner & Kluth, P.A.

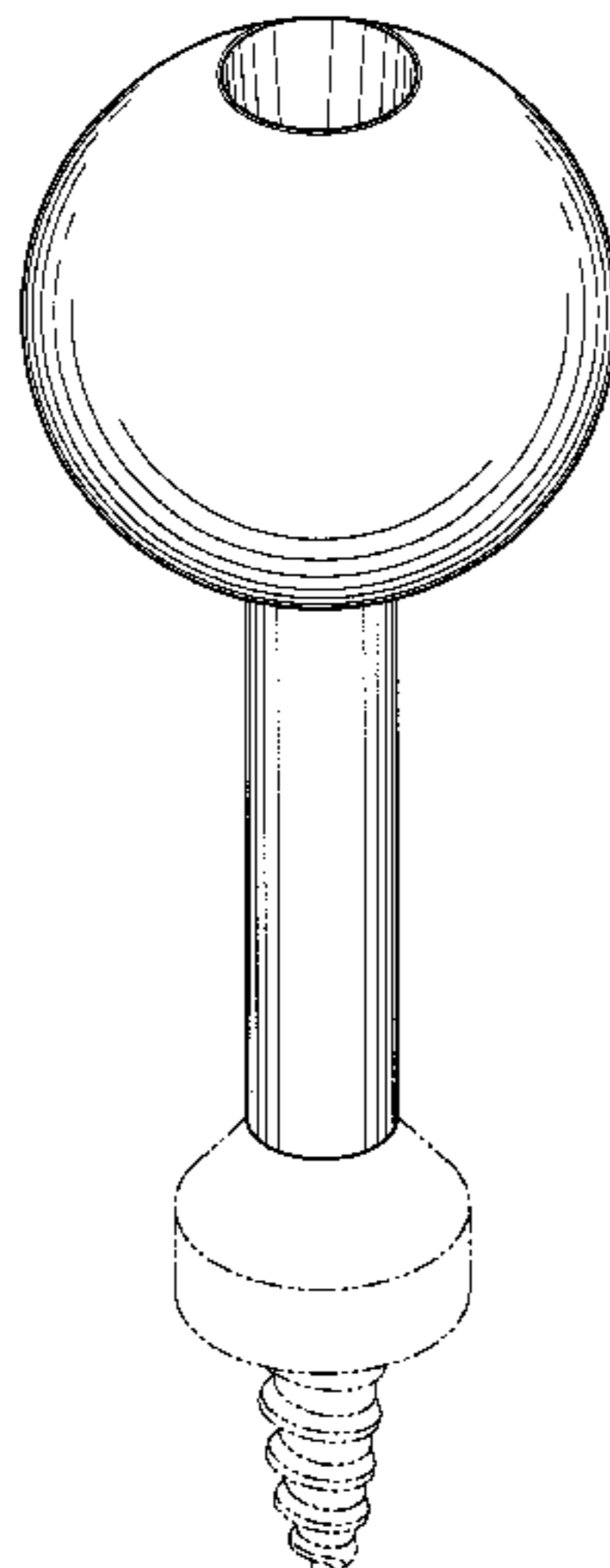
(57) **CLAIM**

The ornamental design for the fiducial marker, as shown and described.

DESCRIPTION

FIG. 1 is a perspective view of the fiducial marker, incorporating the new design.
FIG. 2 is a side elevational view of the fiducial marker of FIG. 1.
FIG. 3 is a top view of the fiducial marker of FIG. 1.
FIG. 4 is a bottom view of the fiducial marker of FIG. 1; and, FIG. 5 is a sectional view of the fiducial marker of FIG. 1, illustrating the divot shown in FIGS. 1 and 3.
The broken lines shown in the Figures are for illustrative purposes only and form no part of the claimed design.

1 Claim, 4 Drawing Sheets



US D527,820 S

Page 2

U.S. PATENT DOCUMENTS

5,016,639	A	5/1991	Allen	128/653	R	6,168,780	B1	1/2001	Andra	424/9.32
5,094,241	A	3/1992	Allen	128/653.1		6,206,890	B1	* 3/2001	Truwit	606/130
5,119,817	A	6/1992	Allen	128/653.1		6,236,875	B1	5/2001	Bucholz et al.	600/407
5,178,164	A	1/1993	Allen	128/898		6,333,971	B1	* 12/2001	McCroory et al.	378/162
5,211,164	A	5/1993	Allen	128/653.1		6,382,815	B1	* 5/2002	Klearman et al.	362/253
5,222,499	A	6/1993	Allen et al.	128/653.1		6,694,168	B1	2/2004	Traxel et al.	600/426
5,230,338	A	7/1993	Allen et al.	128/653		D493,198	S	7/2004	Starkel	
5,394,457	A	* 2/1995	Leibinger et al.	378/162		6,865,907	B1	* 3/2005	Andrews et al.	63/12
5,397,329	A	3/1995	Allen	606/73		2003/0187351	A1	* 10/2003	Franck et al.	600/429
5,551,429	A	9/1996	Fitzpatrick et al.	128/653.1		2004/0019265	A1	1/2004	Mazzocchi	600/407
5,636,255	A	6/1997	Ellis	378/20		2004/0030236	A1	2/2004	Mazzocchi et al.	600/414
5,730,130	A	3/1998	Fitzpatrick et al.	128/653.1		2004/0030237	A1	* 2/2004	Lee et al.	600/414
5,807,252	A	9/1998	Hassfeld et al.	600/407		2004/0078084	A1	* 4/2004	Albertorio	623/23.26
5,916,164	A	6/1999	Fitzpatrick et al.	600/426		2004/0122305	A1	* 6/2004	Grimm et al.	600/407
5,957,934	A	9/1999	Rapoport	606/130		2004/0167391	A1	8/2004	Solar et al.	600/411
6,011,987	A	1/2000	Barnett	600/414		2004/0167393	A1	8/2004	Solar et al.	600/414
6,073,044	A	6/2000	Fitzpatrick et al.	600/426		2005/0015032	A1	* 1/2005	Stein	601/131

* cited by examiner

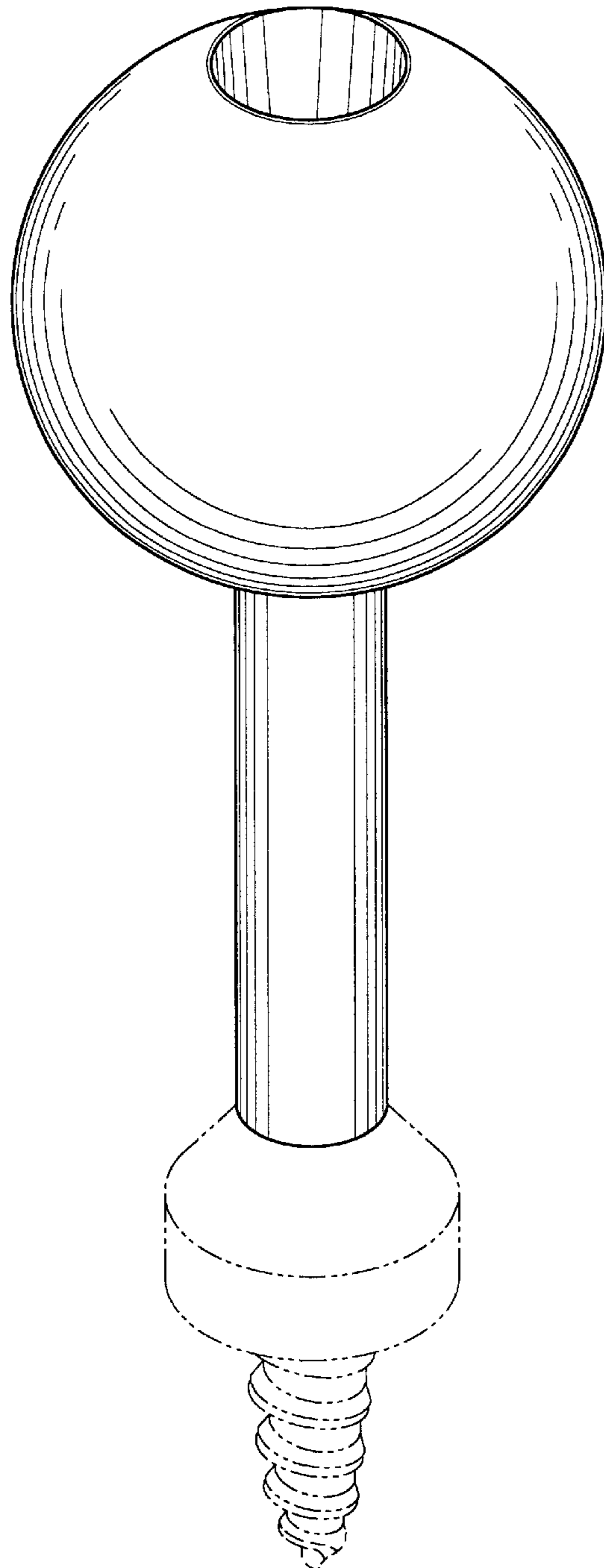


FIG. 1

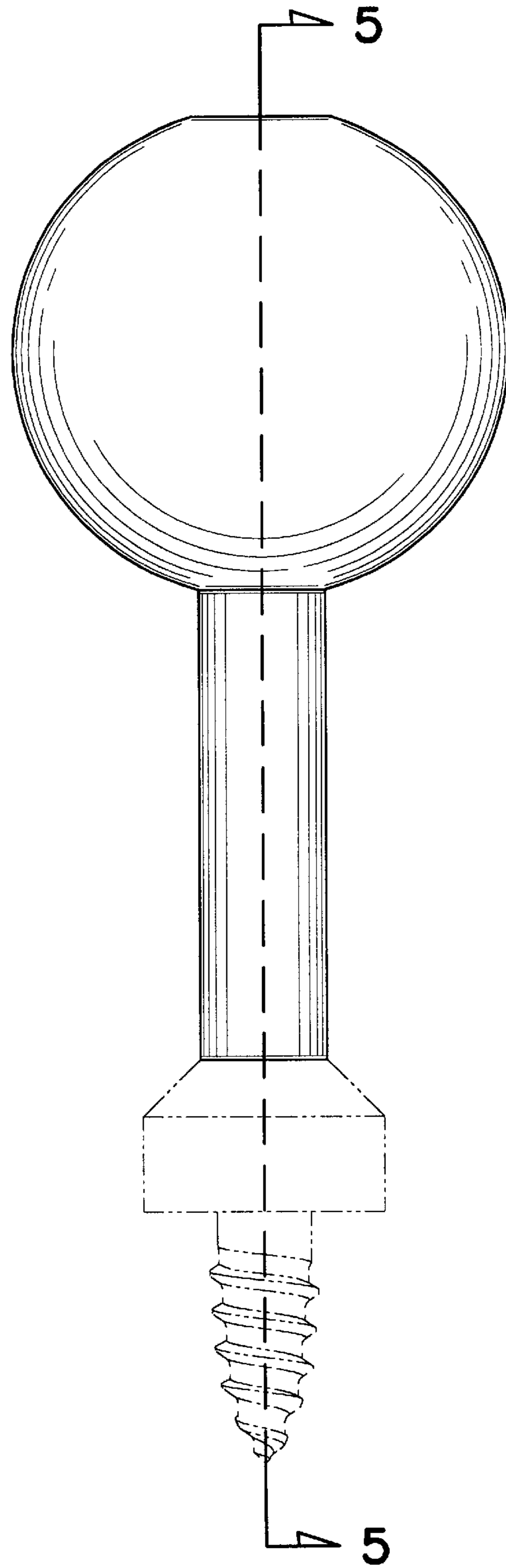


FIG. 2

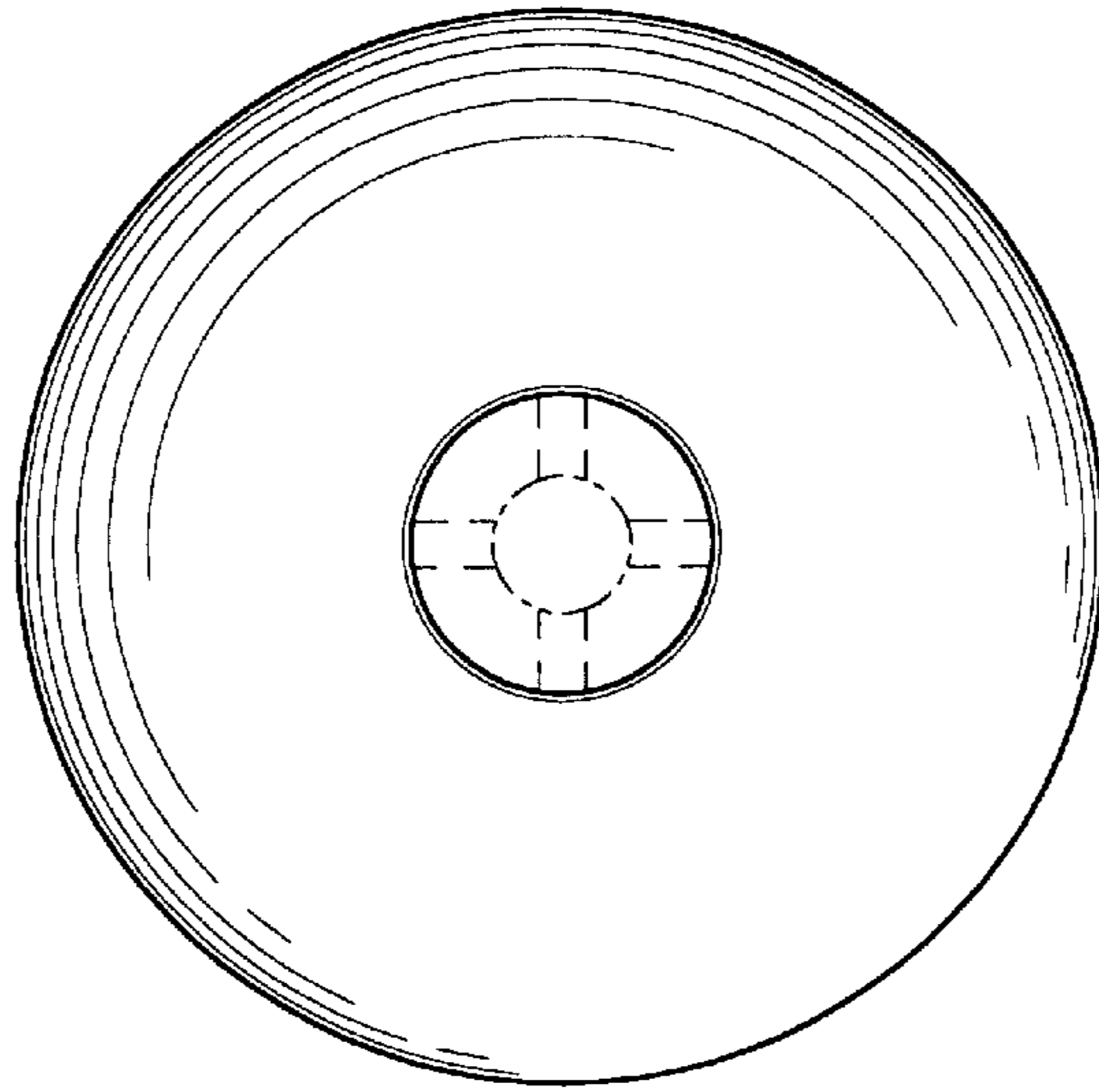


FIG. 3

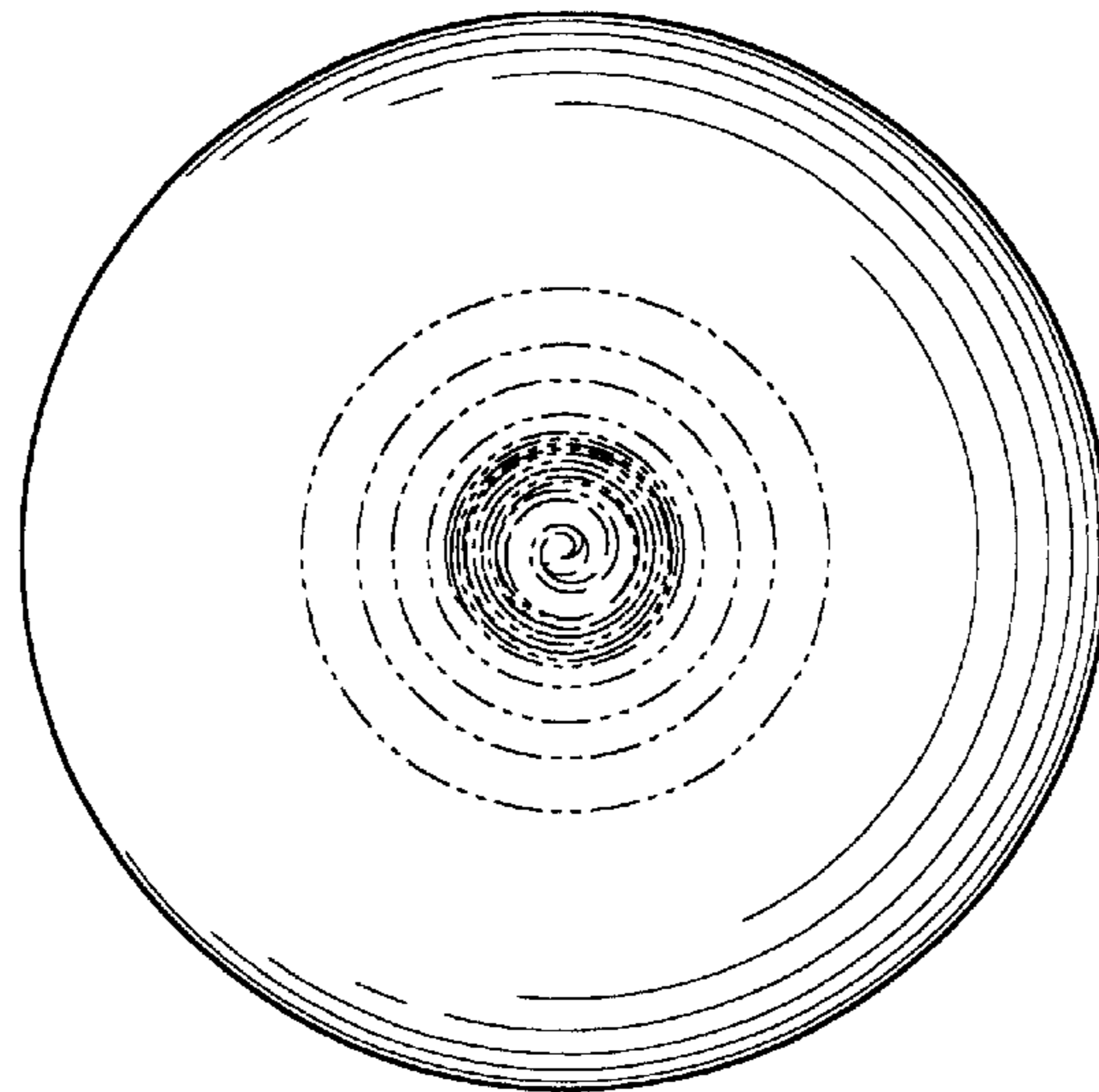


FIG. 4

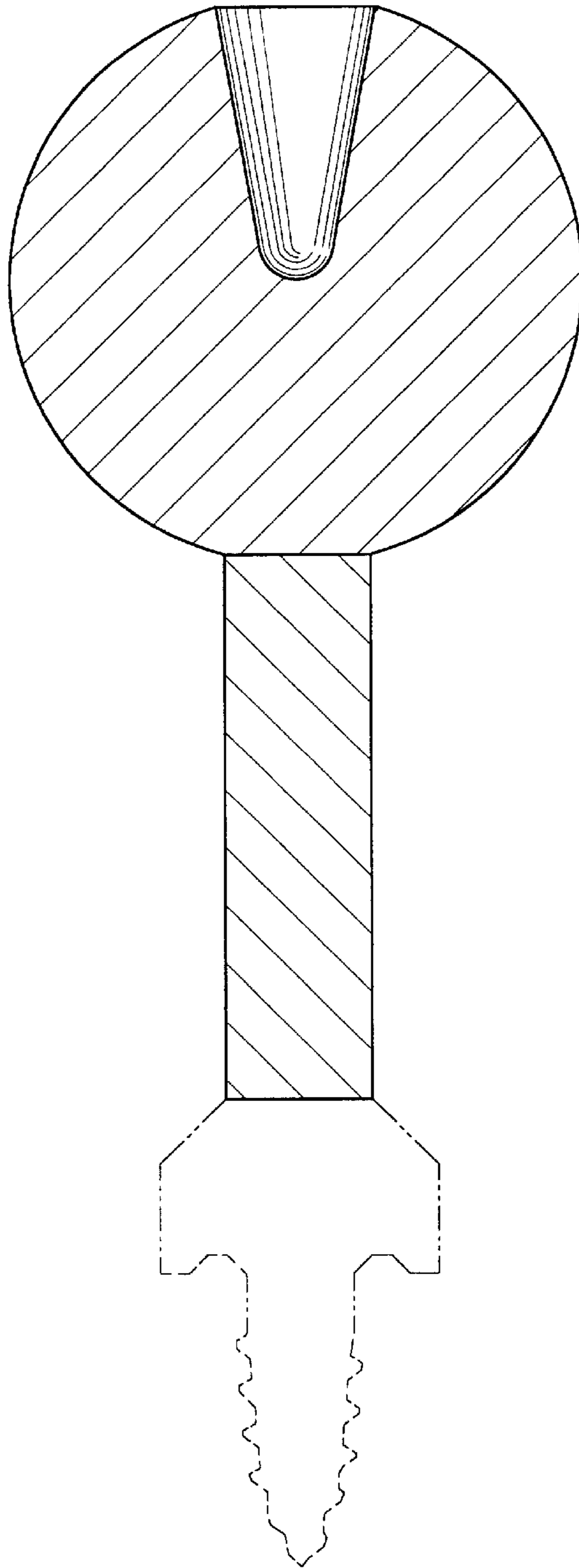


FIG. 5