

US00D527817S

(12) **United States Design Patent**
Ziegler et al.

(10) **Patent No.:** **US D527,817 S**
(45) **Date of Patent:** **** Sep. 5, 2006**

(54) **INHALER**

(75) Inventors: **Dominik Ziegler**, Basel (CH); **Grant Smetham**, Cambridge (GB); **Mauro Citerio**, Osnago (IT)

(73) Assignee: **Novartis AG**, Basel (CH)

(**) Term: **14 Years**

(21) Appl. No.: **29/216,781**

(22) Filed: **Nov. 9, 2004**

(30) **Foreign Application Priority Data**

May 13, 2004 (GB) 3017290

(51) **LOC (8) Cl.** **29-02**

(52) **U.S. Cl.** **D24/110**

(58) **Field of Classification Search** D24/110;
128/203.15, 203.21, 200.14, 200.23, 205.24
See application file for complete search history.

(56) **References Cited**

U.S. PATENT DOCUMENTS

3,991,761	A *	11/1976	Cocozza	128/203.15
4,013,075	A *	3/1977	Cocozza	128/203.15
4,423,724	A *	1/1984	Young	128/203.15
D355,029	S	1/1995	Kinneir et al.	D24/110
5,522,383	A	6/1996	Calvert et al.	128/203.15
D410,541	S *	6/1999	Moulin	D24/110
D414,555	S *	9/1999	Ritsche	D24/110
5,947,118	A	9/1999	Hochrainer et al.	...	128/203.15
2001/0020472	A1 *	9/2001	Horlin	128/203.15
2003/0000523	A1 *	1/2003	Citterio	128/203.15

FOREIGN PATENT DOCUMENTS

EP	0 333 334	9/1989
EP	1 270 034	1/2003
GB	1 485 163	9/1977
WO	94/19041	9/1994

* cited by examiner

Primary Examiner—Ian Simmons

Assistant Examiner—Christopher Lee

(74) *Attorney, Agent, or Firm*—Gregory C. Houghton

(57) **CLAIM**

The ornamental design of an inhaler, as shown and described.

DESCRIPTION

FIG. 1 is a front perspective view of an inhaler showing our new design;

FIG. 2 is a rear elevational view of the inhaler shown in FIG. 1;

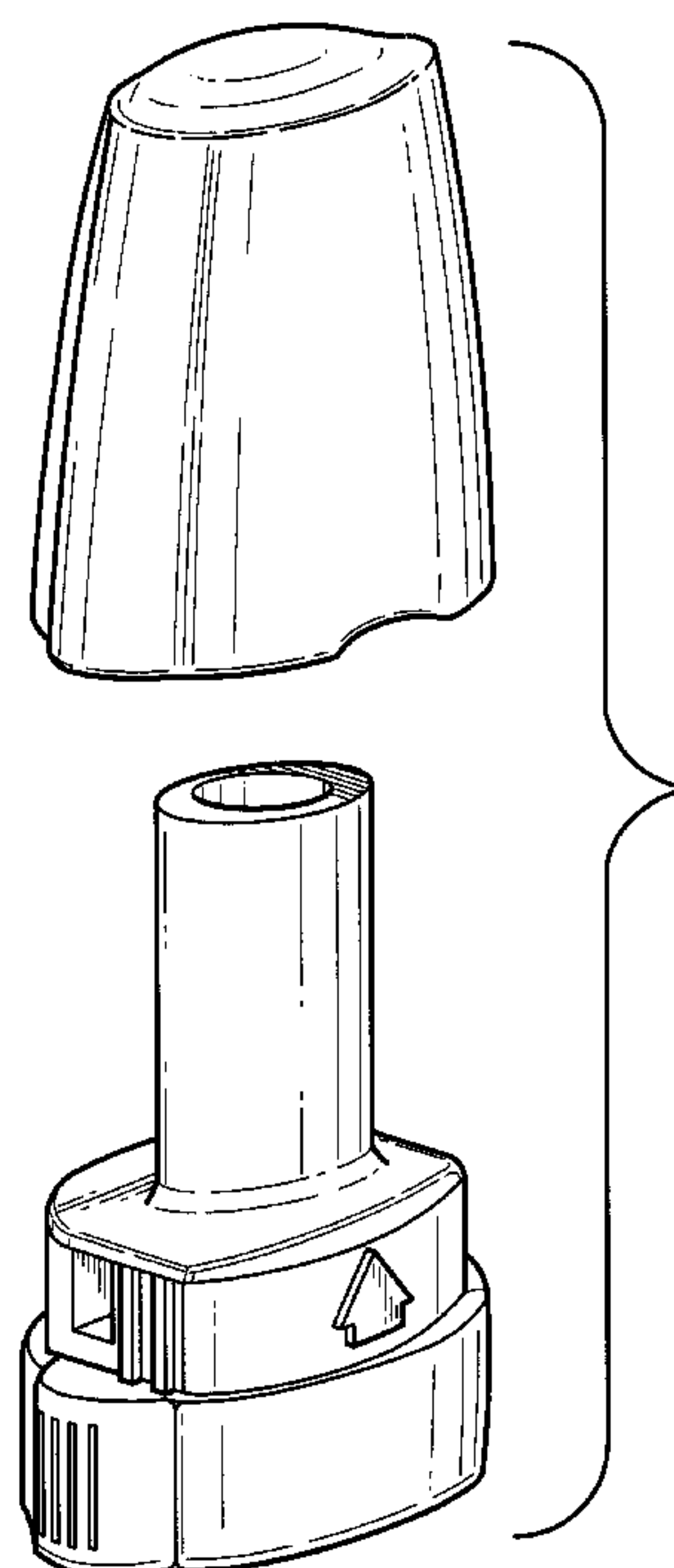
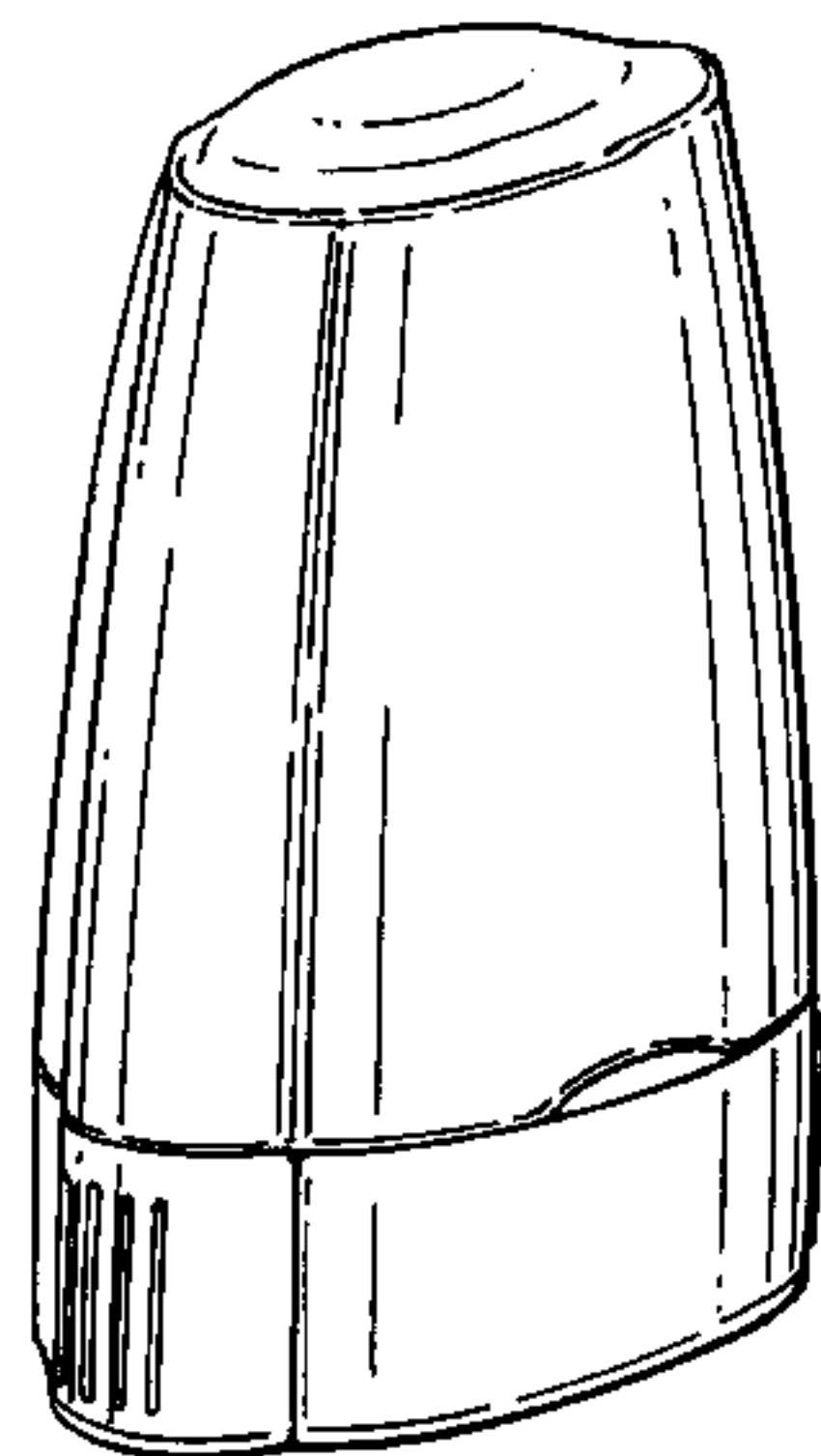
FIG. 3 is a right side elevational view of the inhaler shown in FIG. 1, the left side being a mirror image of the left side; FIG. 4 is a top plan view of the inhaler shown in FIG. 1; FIG. 5 is a bottom plan view of the inhaler shown in FIG. 1;

FIG. 6 is a front perspective view of the cap removed from the base of the inhaler shown in FIG. 1;

FIG. 7 is a rear perspective view of the cap removed from the base of the inhaler to show the mouthpiece;

FIG. 8 is a front perspective view of the inhaler portion shown with the mouthpiece shown in an open position; and, FIG. 9 is a top plan view thereof.

1 Claim, 5 Drawing Sheets



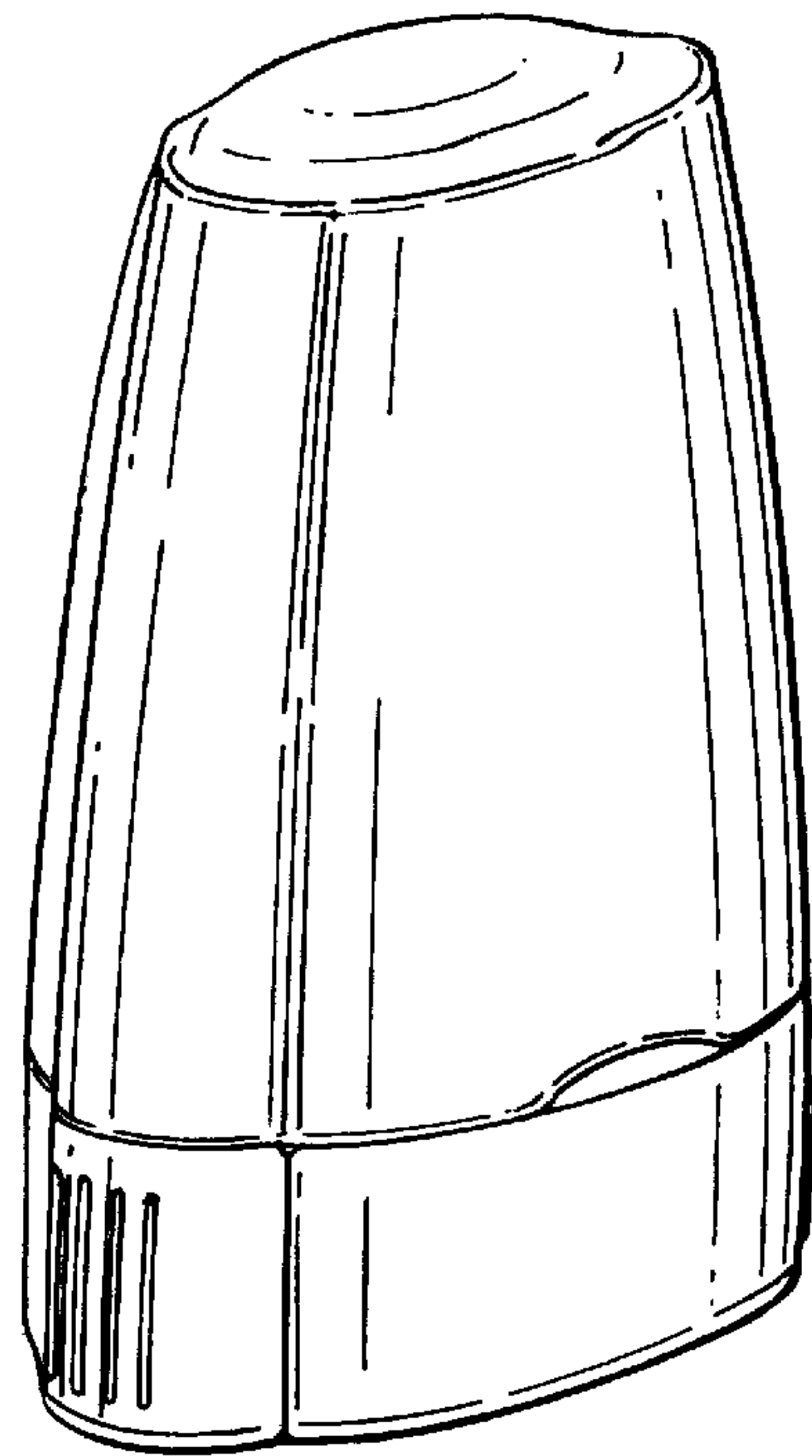


Fig.1.

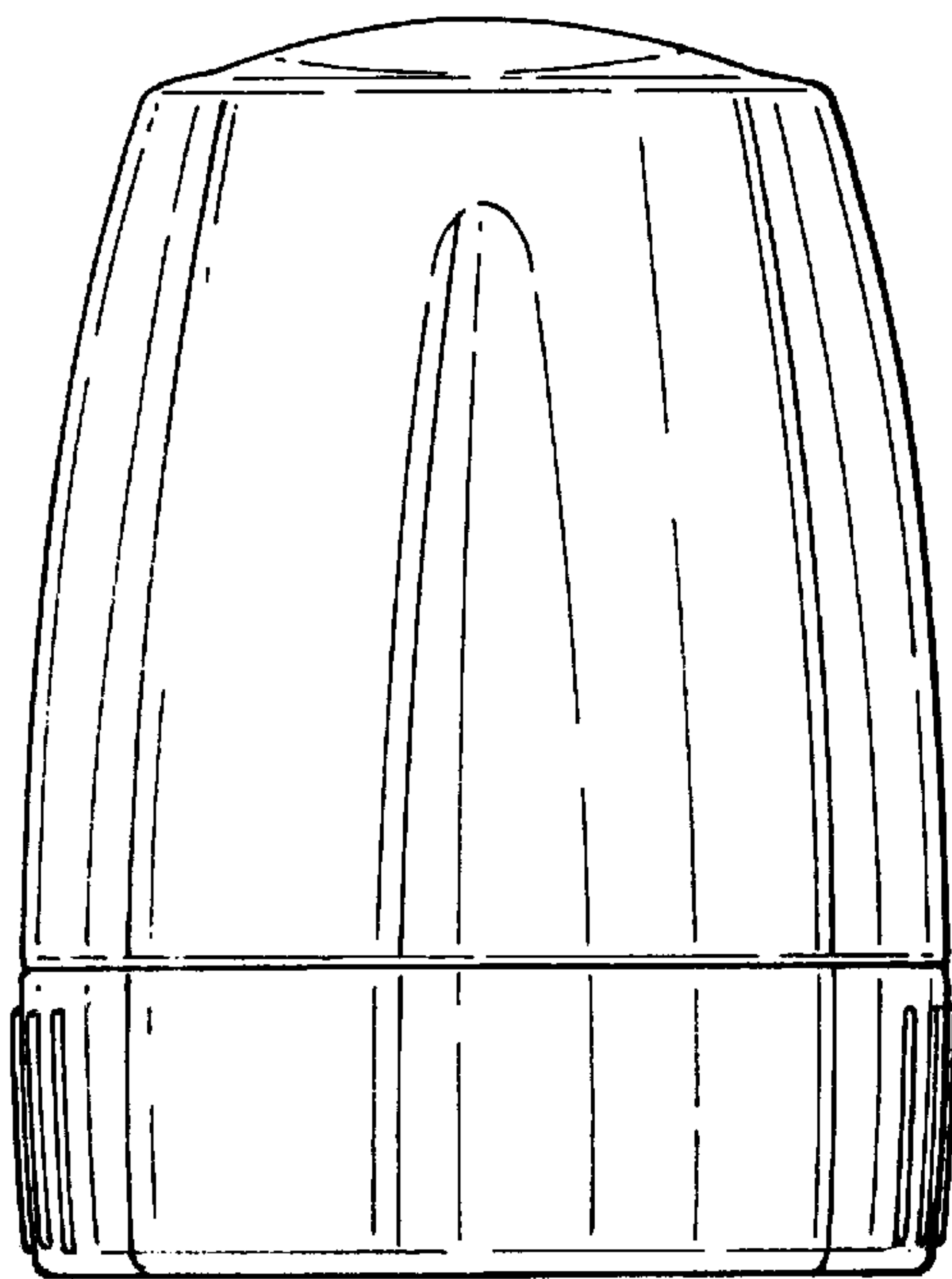


Fig.2.

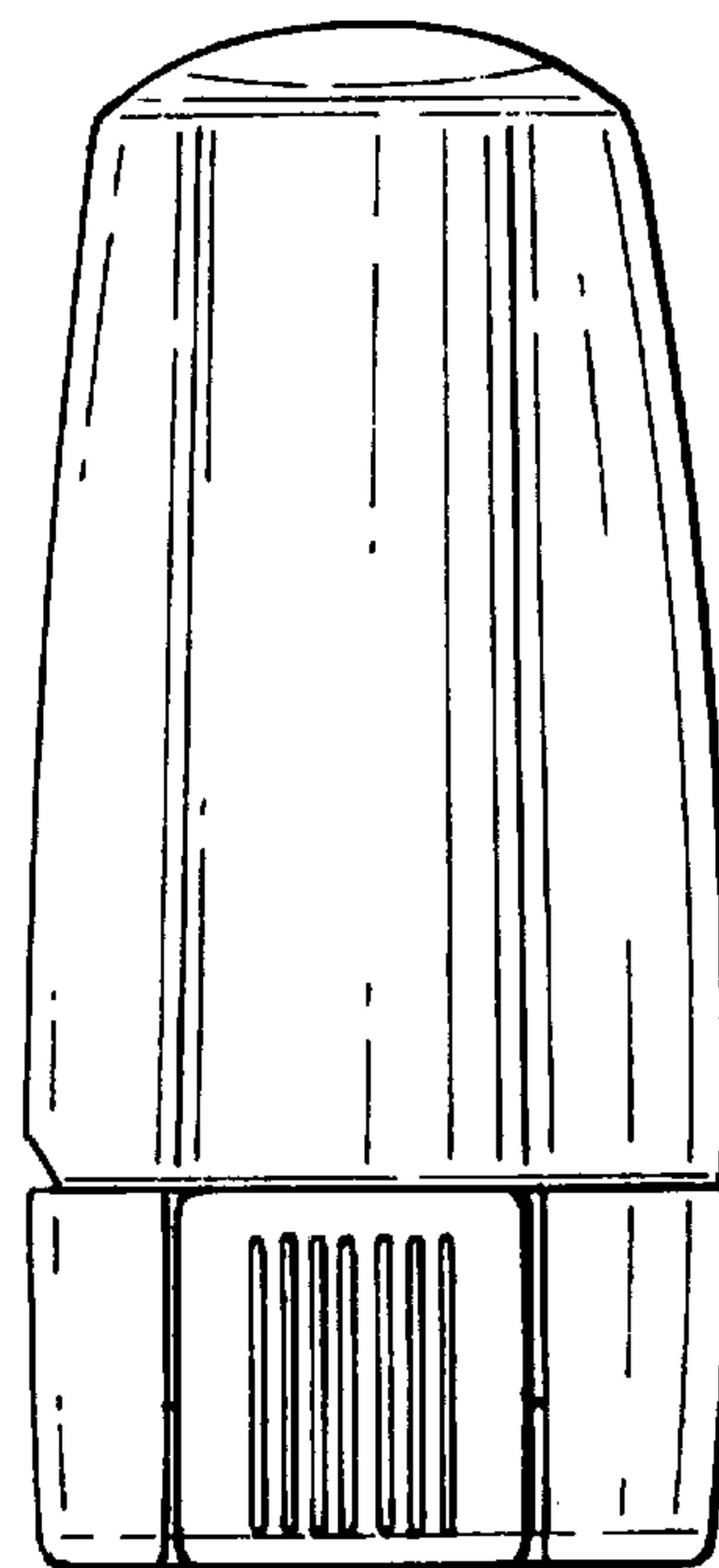


Fig.3.

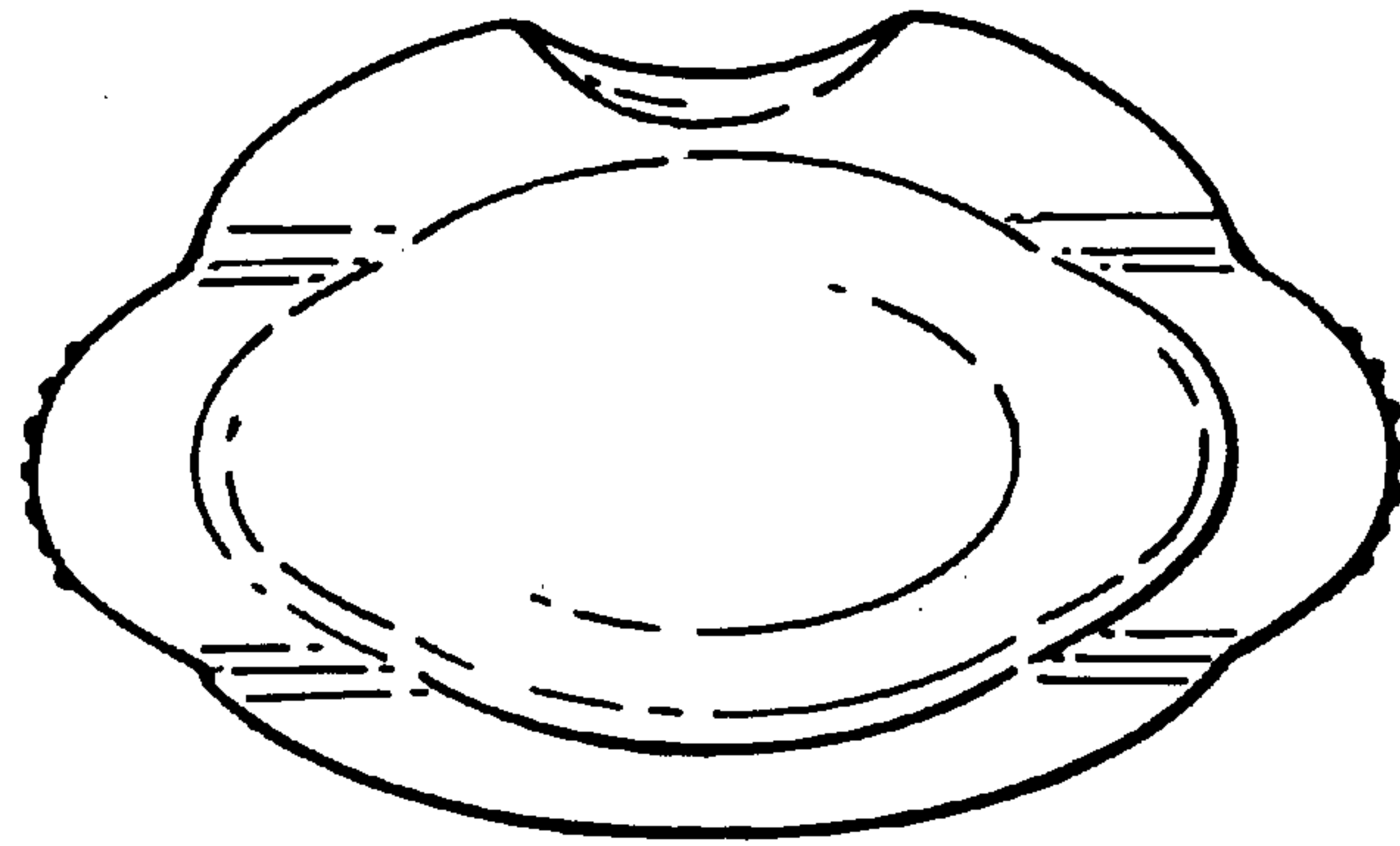


Fig.4.

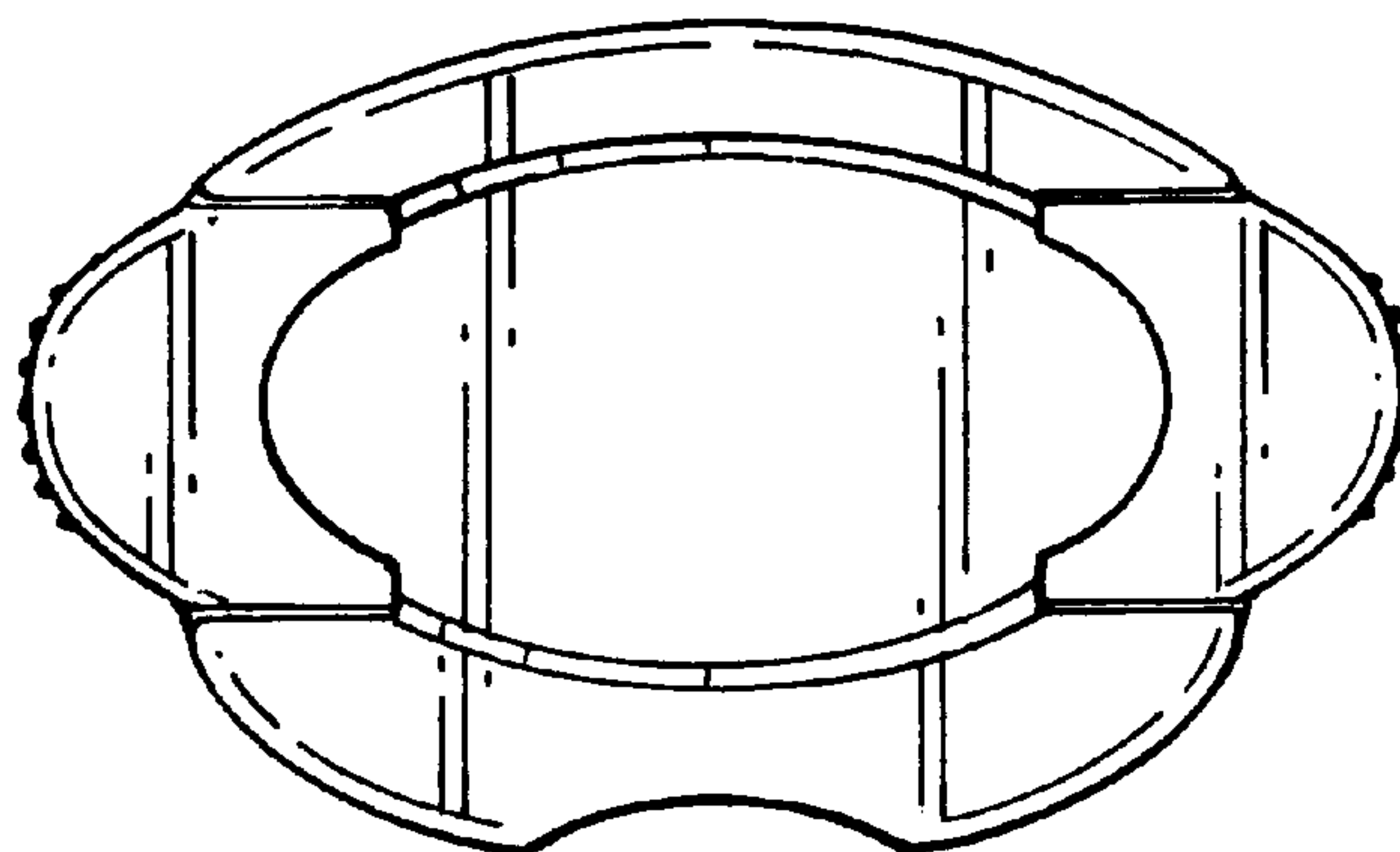


Fig.5.

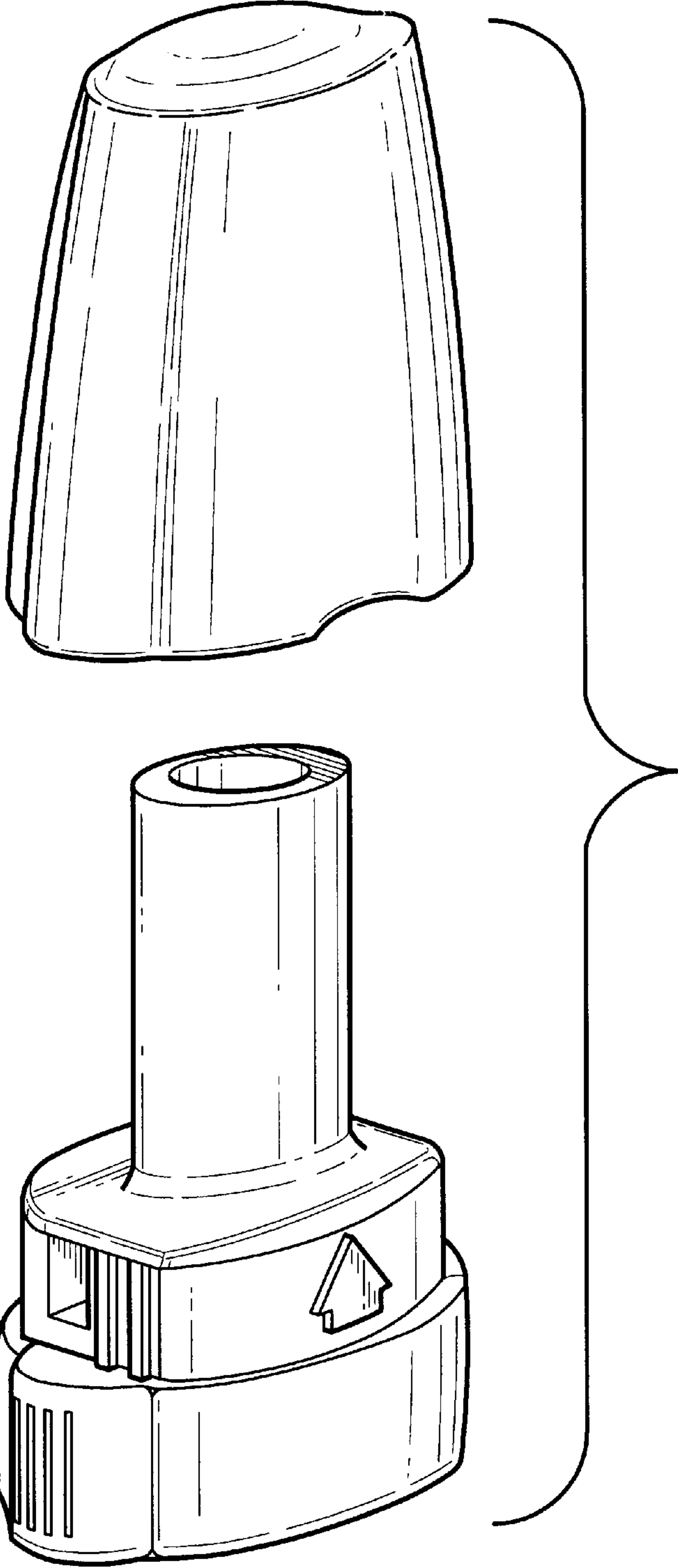


FIG. 6

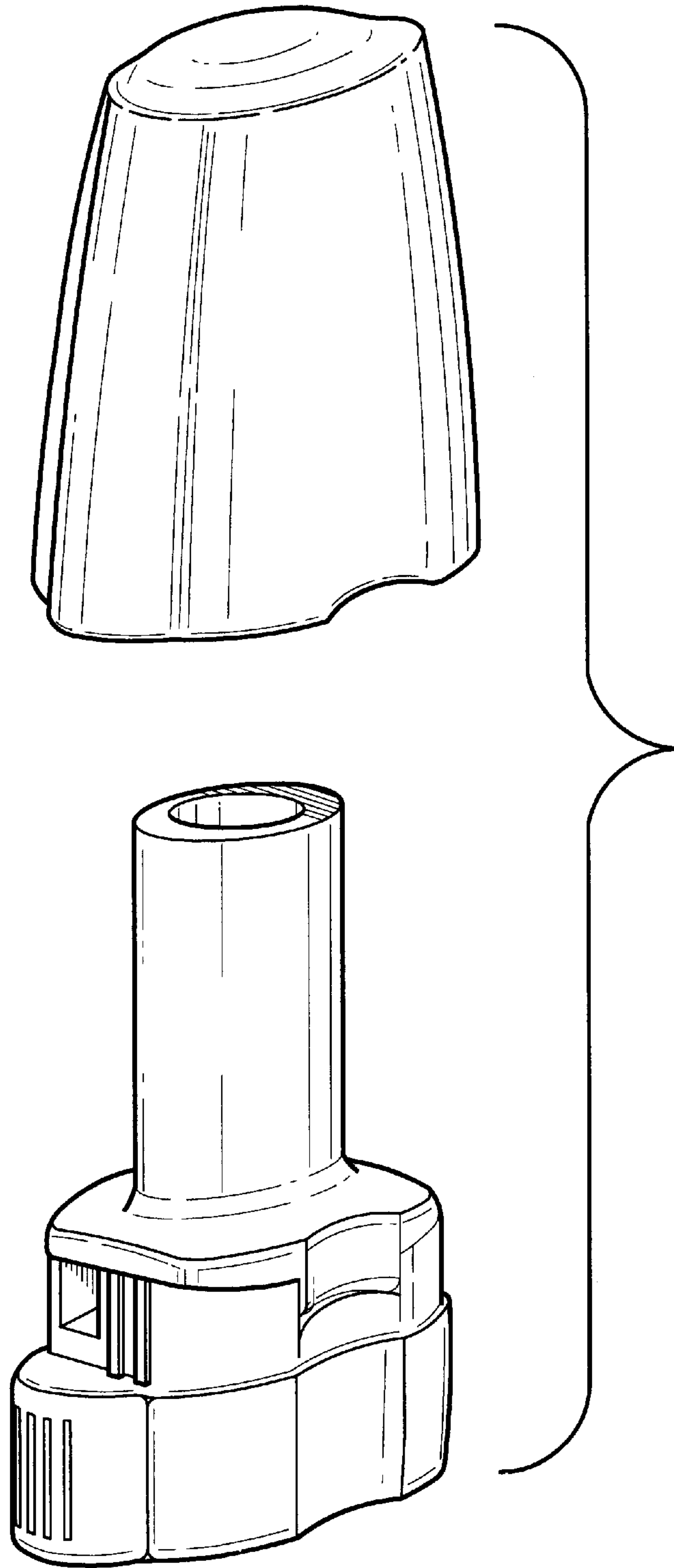


FIG. 7

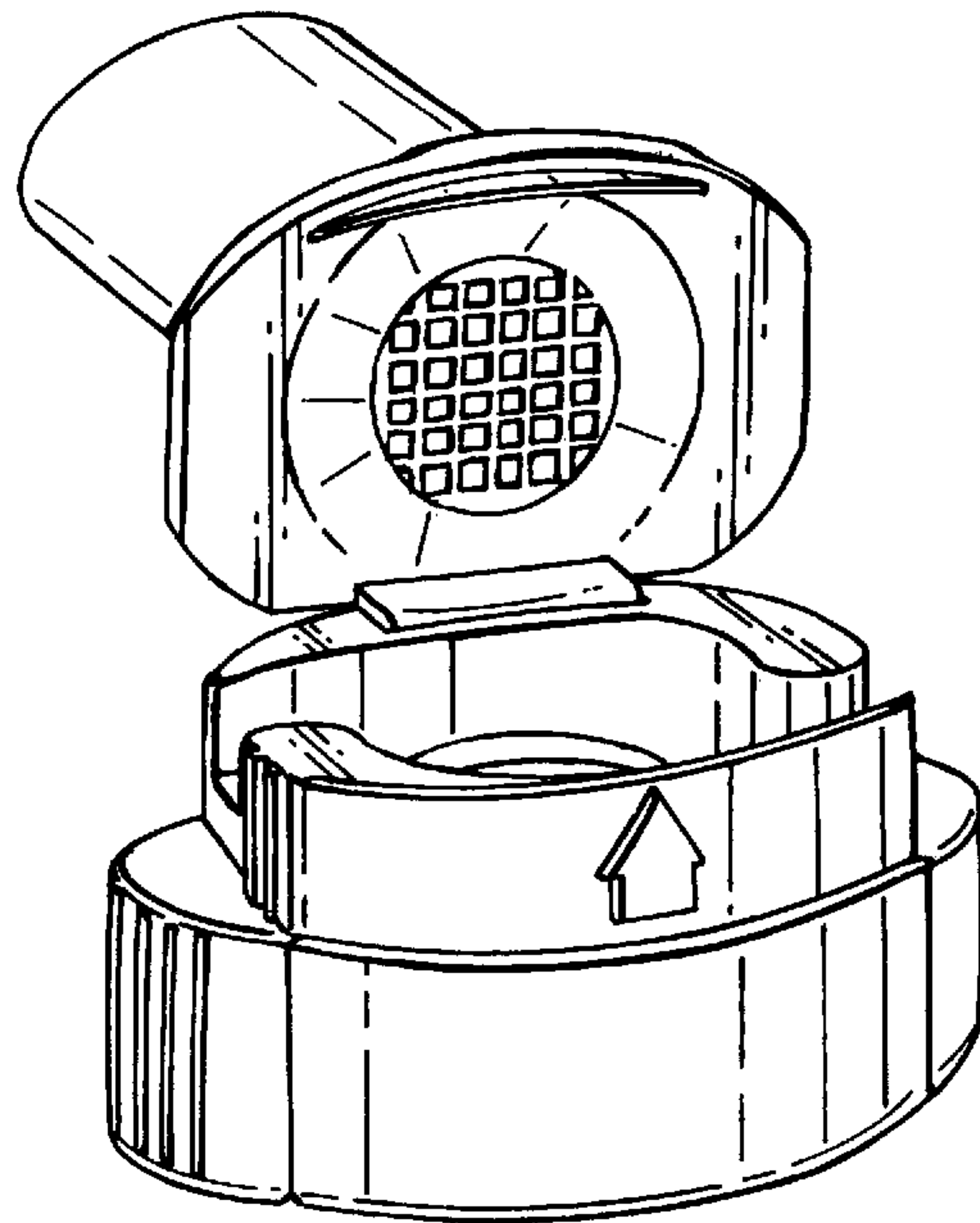


Fig.8.

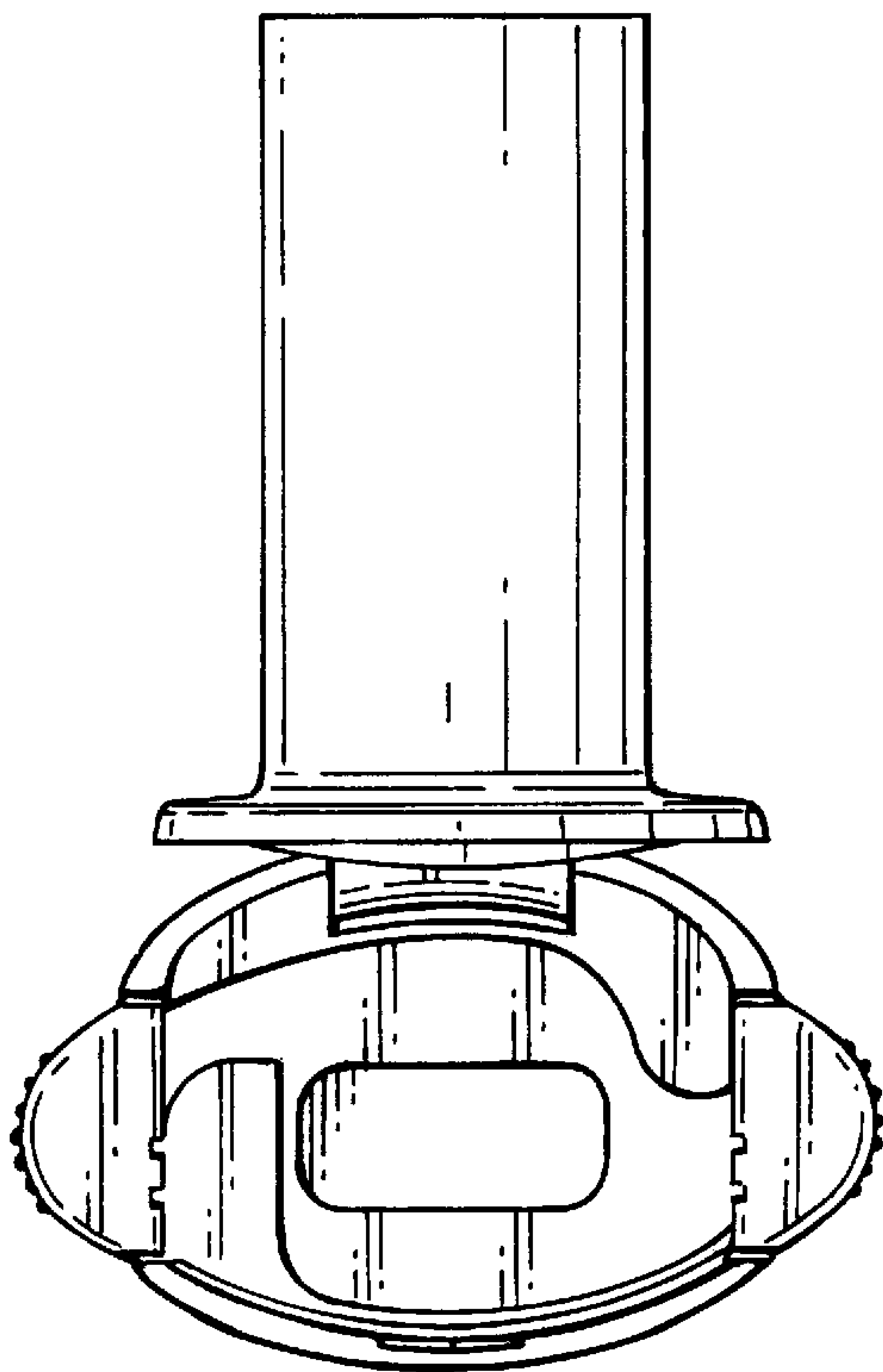


Fig.9.