



US00D527816S

(12) **United States Design Patent** (10) **Patent No.:** **US D527,816 S**
Nishibayashi et al. (45) **Date of Patent:** **** Sep. 5, 2006**

(54) **POWDER INHALATOR**

(75) Inventors: **Toru Nishibayashi**, Tokushima (JP);
Tetsuya Sato, Tokushima (JP);
Shintaro Adachi, Tokushima (JP)

(73) Assignees: **Otsuka Pharmaceutical Co., Ltd.**,
Tokyo (JP); **Otsuka Techno**
Corporation, Tokyo (JP)

(**) Term: **14 Years**

(21) Appl. No.: **29/208,946**

(22) Filed: **Jul. 9, 2004**

(30) **Foreign Application Priority Data**

Jan. 23, 2004 (JP) 2004-001626

(51) **LOC (8) Cl.** **29-02**

(52) **U.S. Cl.** **D24/110**

(58) **Field of Classification Search** D9/686;
D24/110; 128/200.12, 200.14, 200.23, 203.15,
128/203.21, 205.23

See application file for complete search history.

(56) **References Cited**

U.S. PATENT DOCUMENTS

- D399,130 S * 10/1998 Monaghan D9/686
- D414,261 S * 9/1999 Ritsche D24/110
- D414,555 S * 9/1999 Ritsche D24/110
- D478,983 S * 8/2003 Whitehall et al. D24/110
- 6,644,305 B1 * 11/2003 MacRae et al. 128/200.21
- 6,745,760 B1 * 6/2004 Grychowski et al. .. 128/200.14

* cited by examiner

Primary Examiner—Ian Simmons

Assistant Examiner—Christopher Lee

(74) *Attorney, Agent, or Firm*—Finnegan, Henderson,
Farabow, Garrett & Dunner, L.L.P.

(57) **CLAIM**

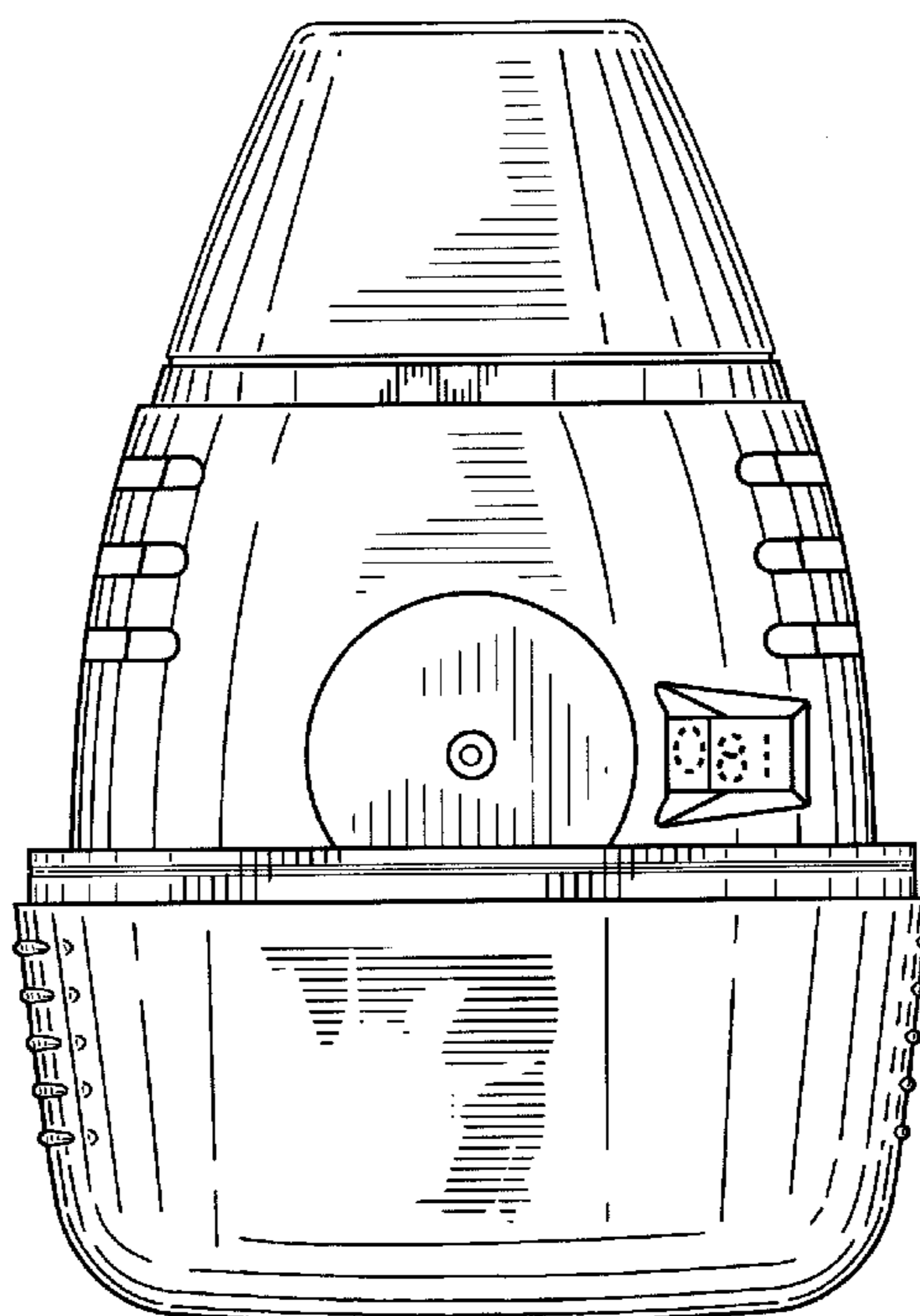
The ornamental design for a powder inhalator, as shown and described.

DESCRIPTION

FIG. 1 is a perspective view of a powder inhalator showing our new design with a translucent cap in a stored position; FIG. 2 is a front elevational view thereof; FIG. 3 is a rear elevational view thereof; FIG. 4 is a right side elevational view thereof; FIG. 5 is a left side elevational view thereof; FIG. 6 is a top plan view thereof; FIG. 7 is a bottom plan view thereof; FIG. 8 is a front elevational view of the powder inhalator of FIG. 1 with the translucent cap removed; FIG. 9 is a perspective view of FIG. 8; FIG. 10 is a front elevational view of FIG. 8; FIG. 11 is a rear elevational view of FIG. 8; FIG. 12 is a right side elevational view of FIG. 8; FIG. 13 is a left side elevational view of FIG. 8; FIG. 14 is a top plan view of FIG. 8; FIG. 15 is a bottom plan view of FIG. 8; and, FIG. 16 is a front elevational view thereof shown in compressed condition.

The broken line showing is for illustrative purposes only and forms no part of the claimed design.

1 Claim, 10 Drawing Sheets



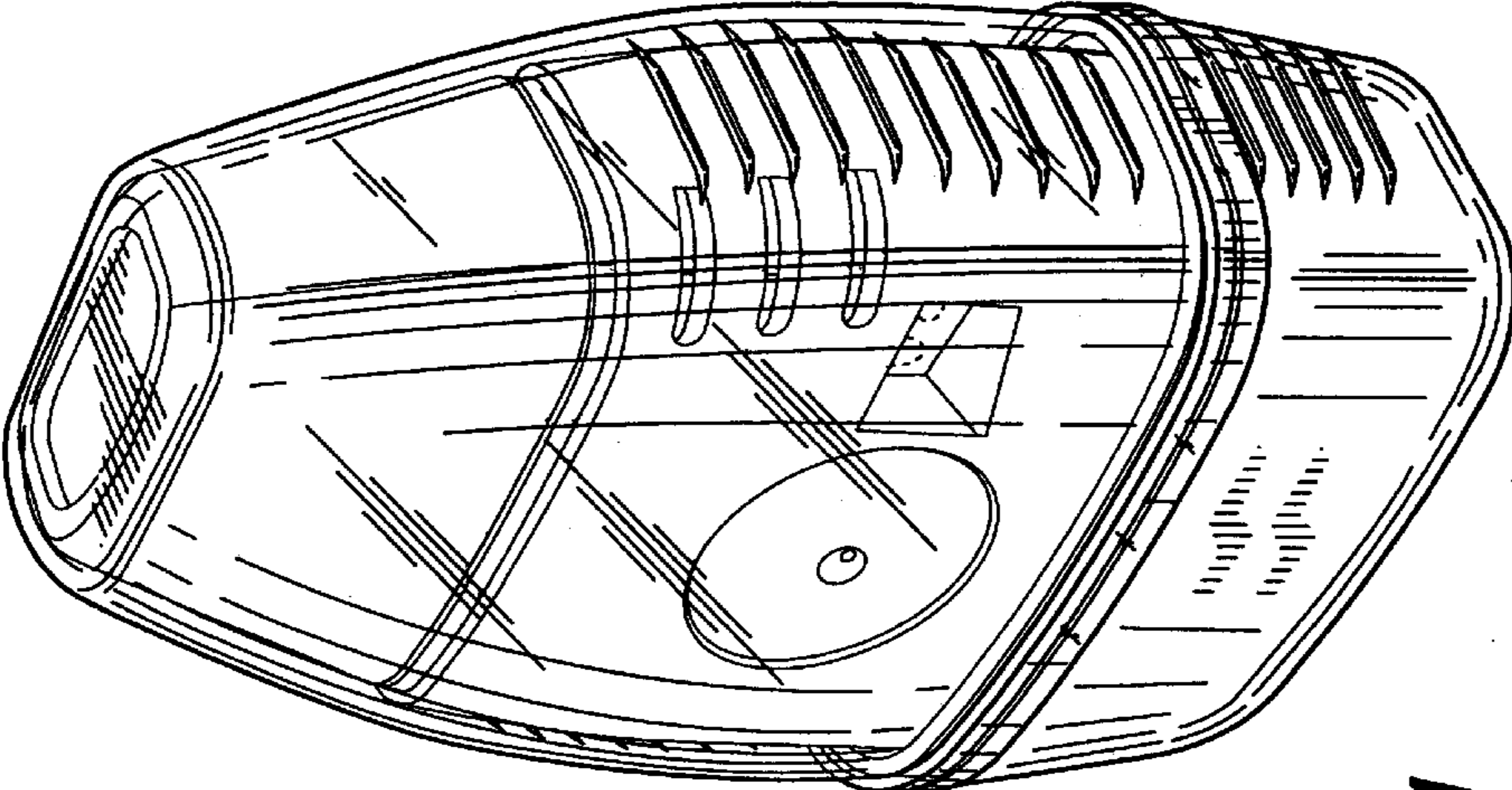


FIG. 1

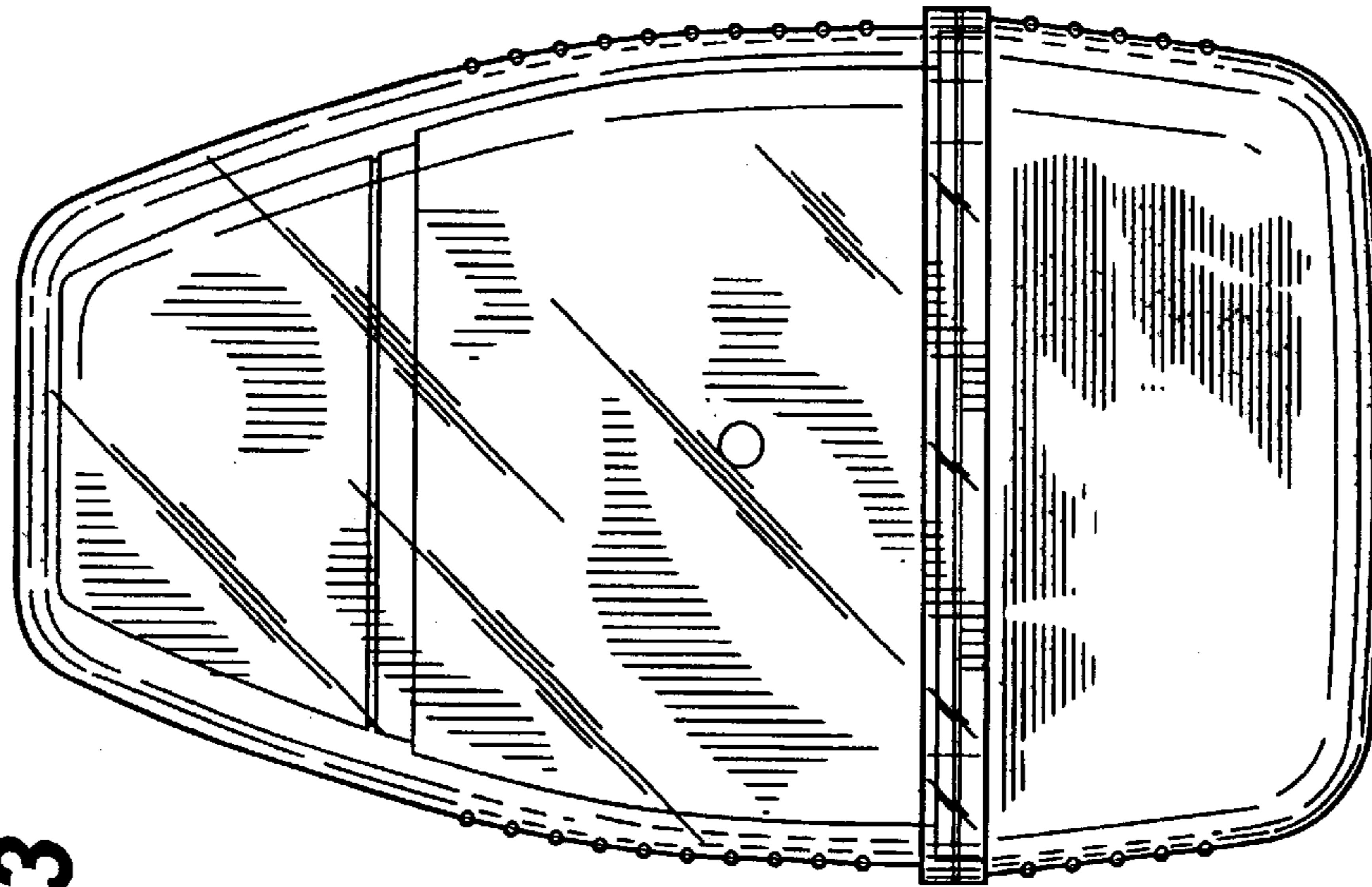


FIG. 3

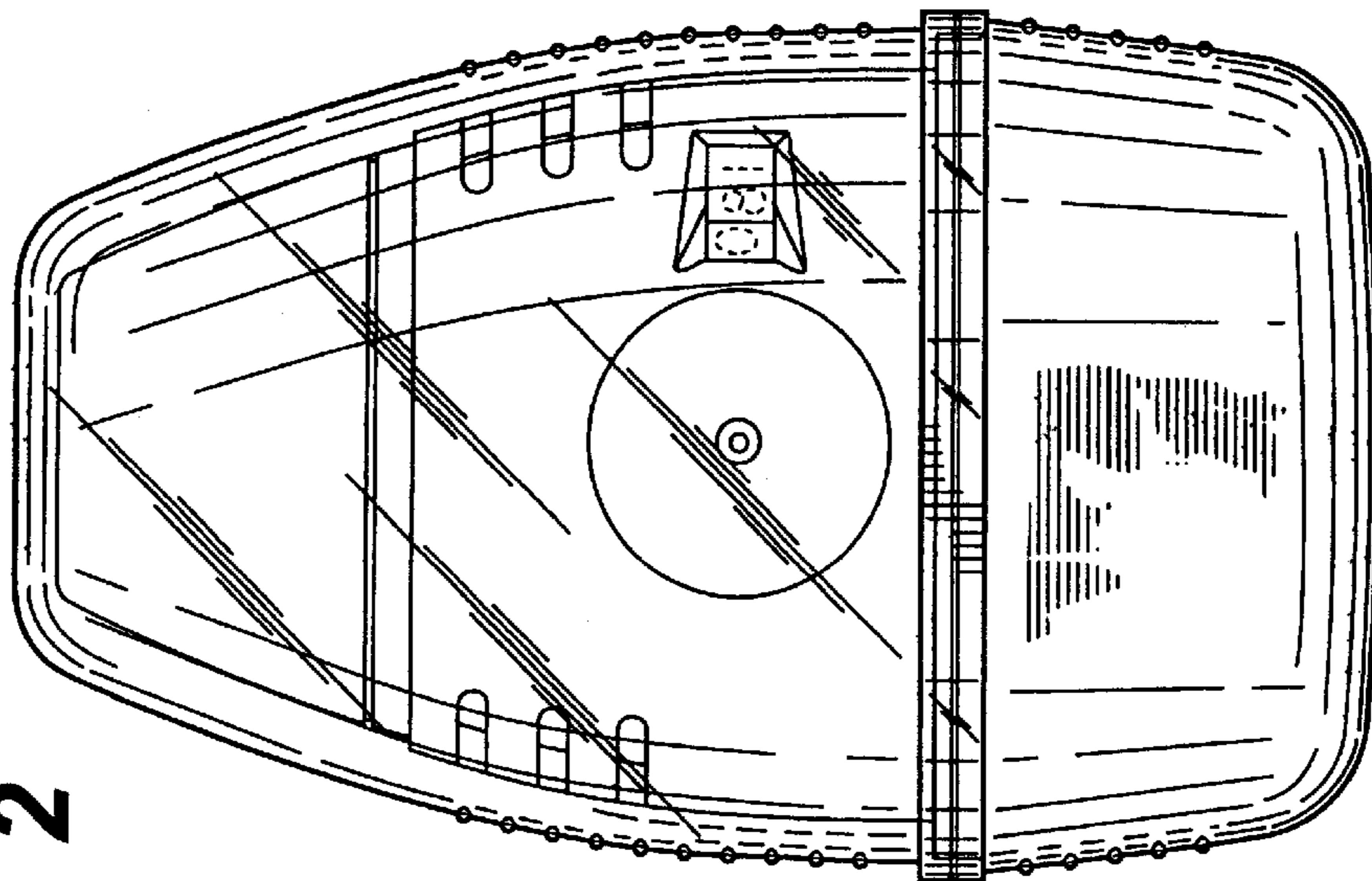


FIG. 2

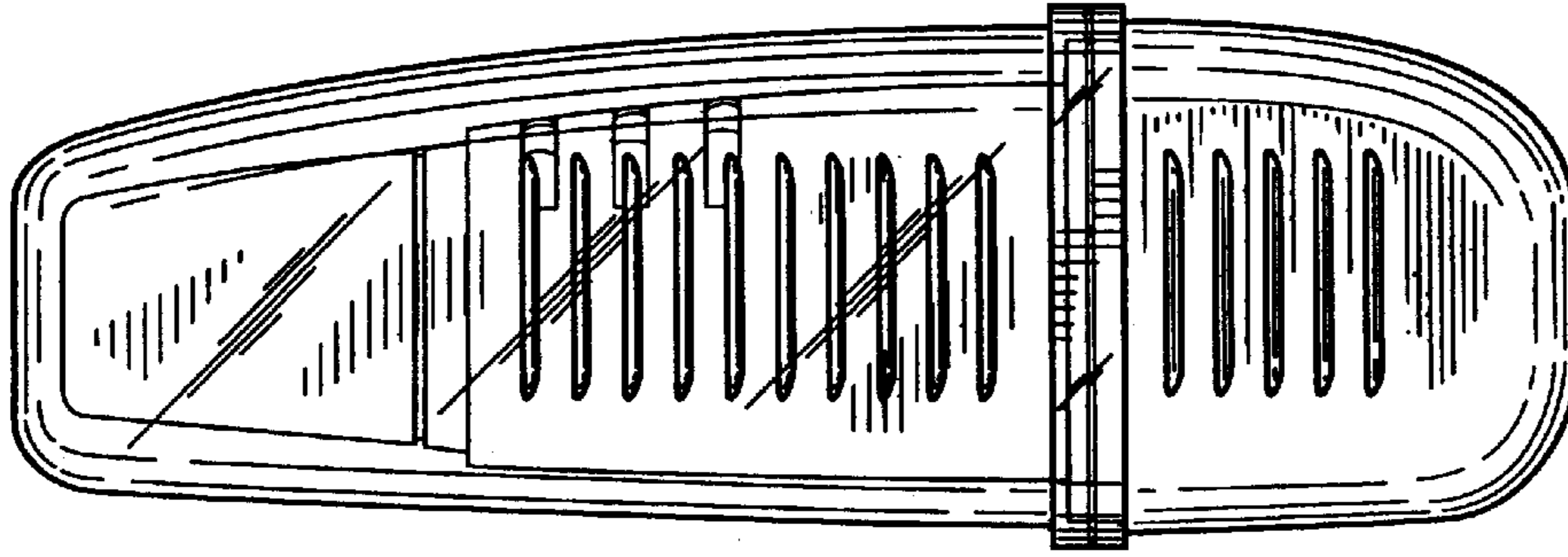


FIG. 5

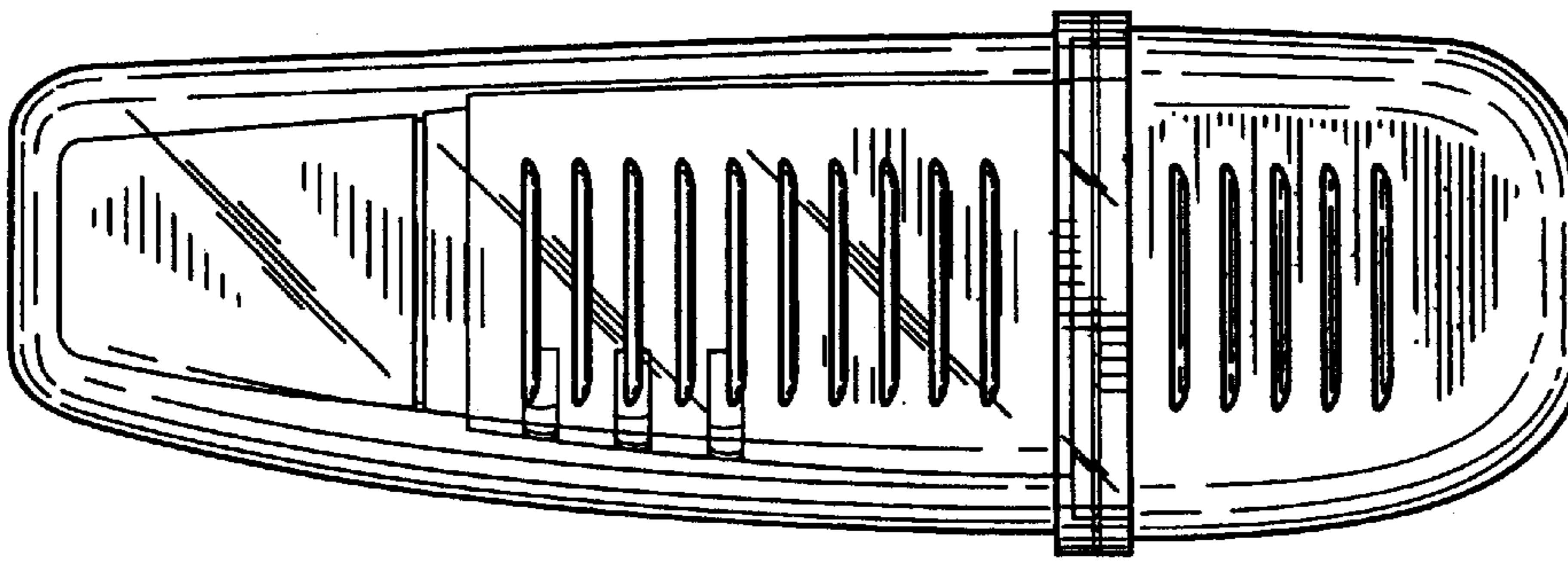


FIG. 4

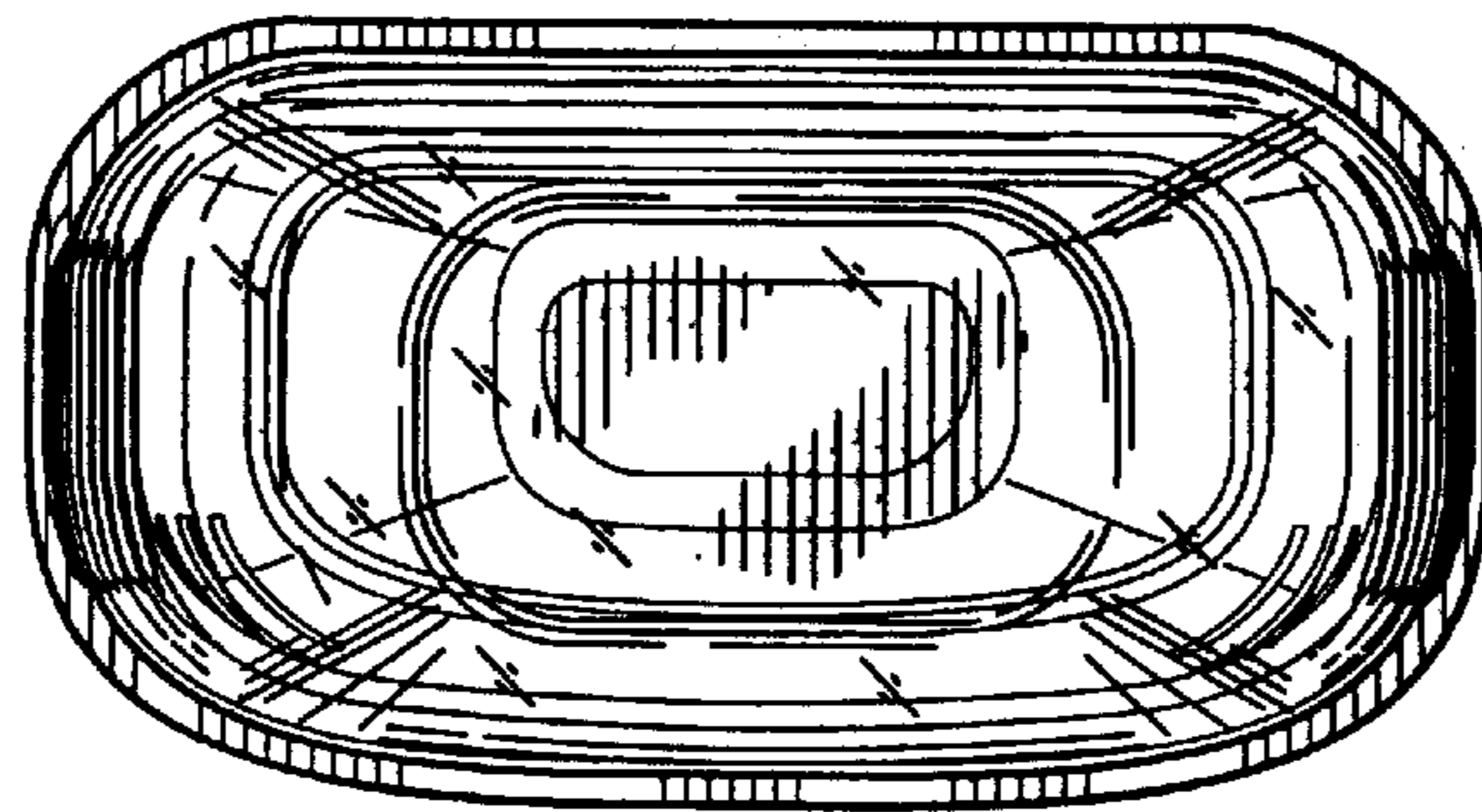


FIG. 6

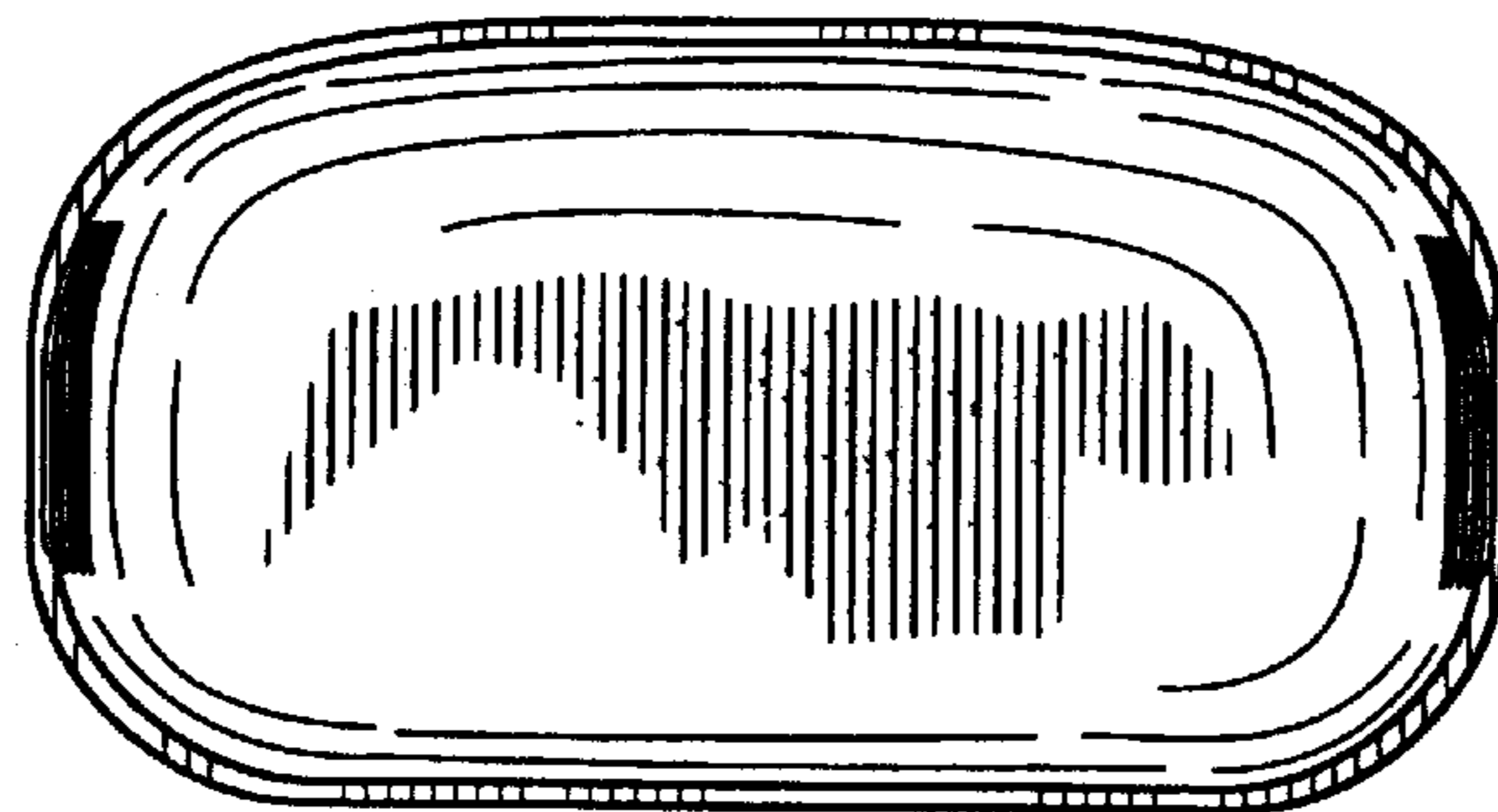


FIG. 7

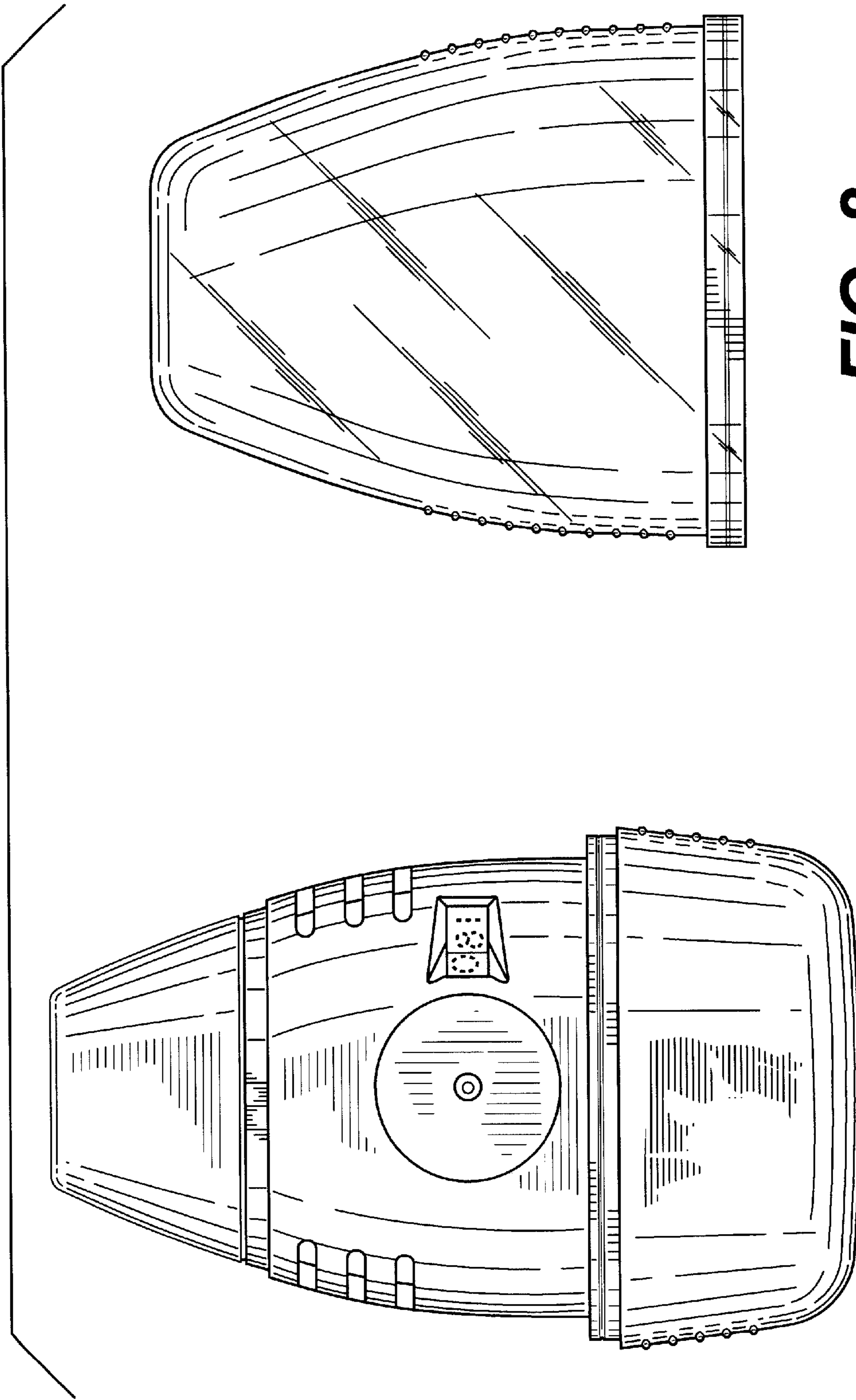


FIG. 8

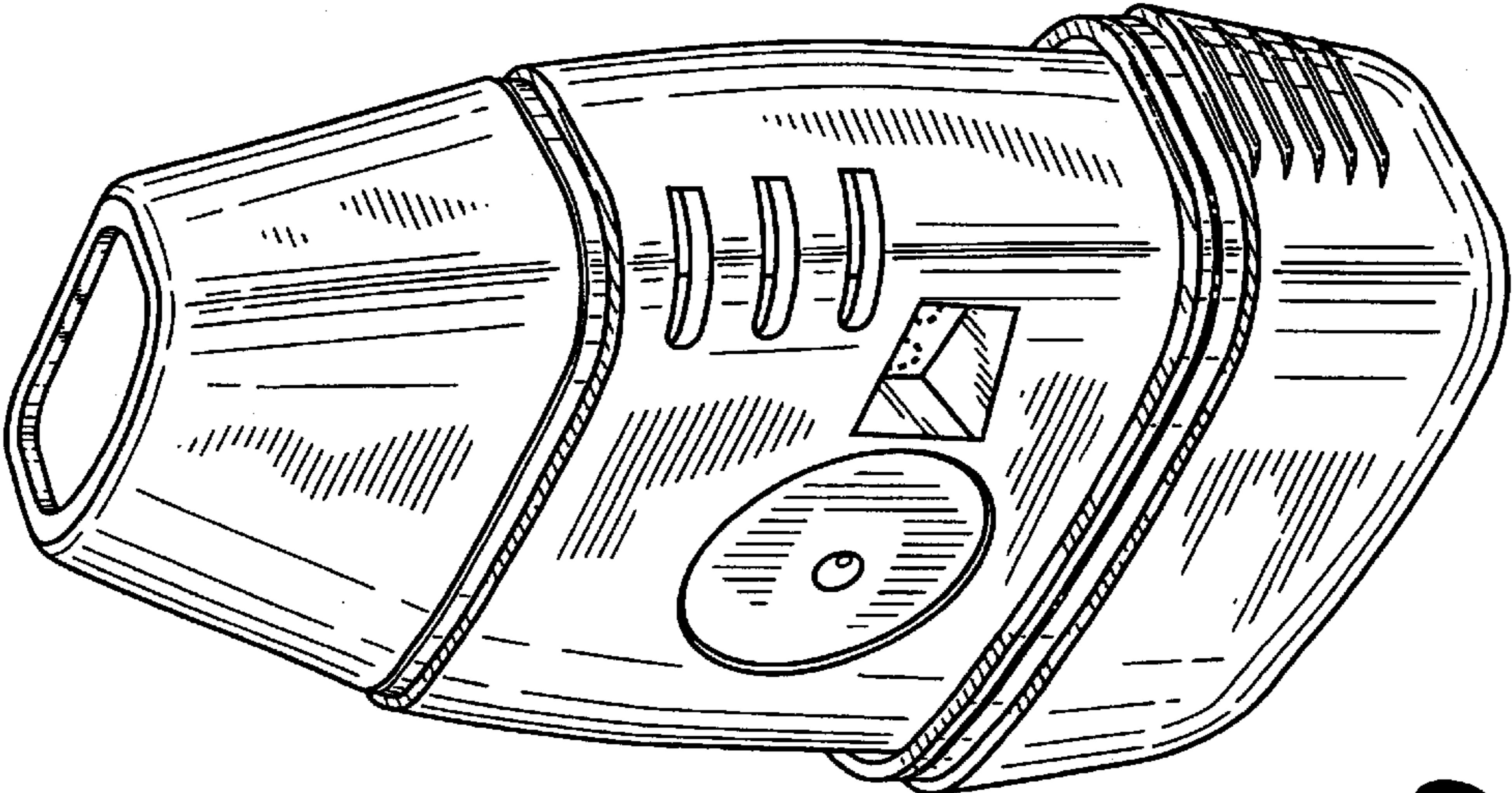


FIG. 9

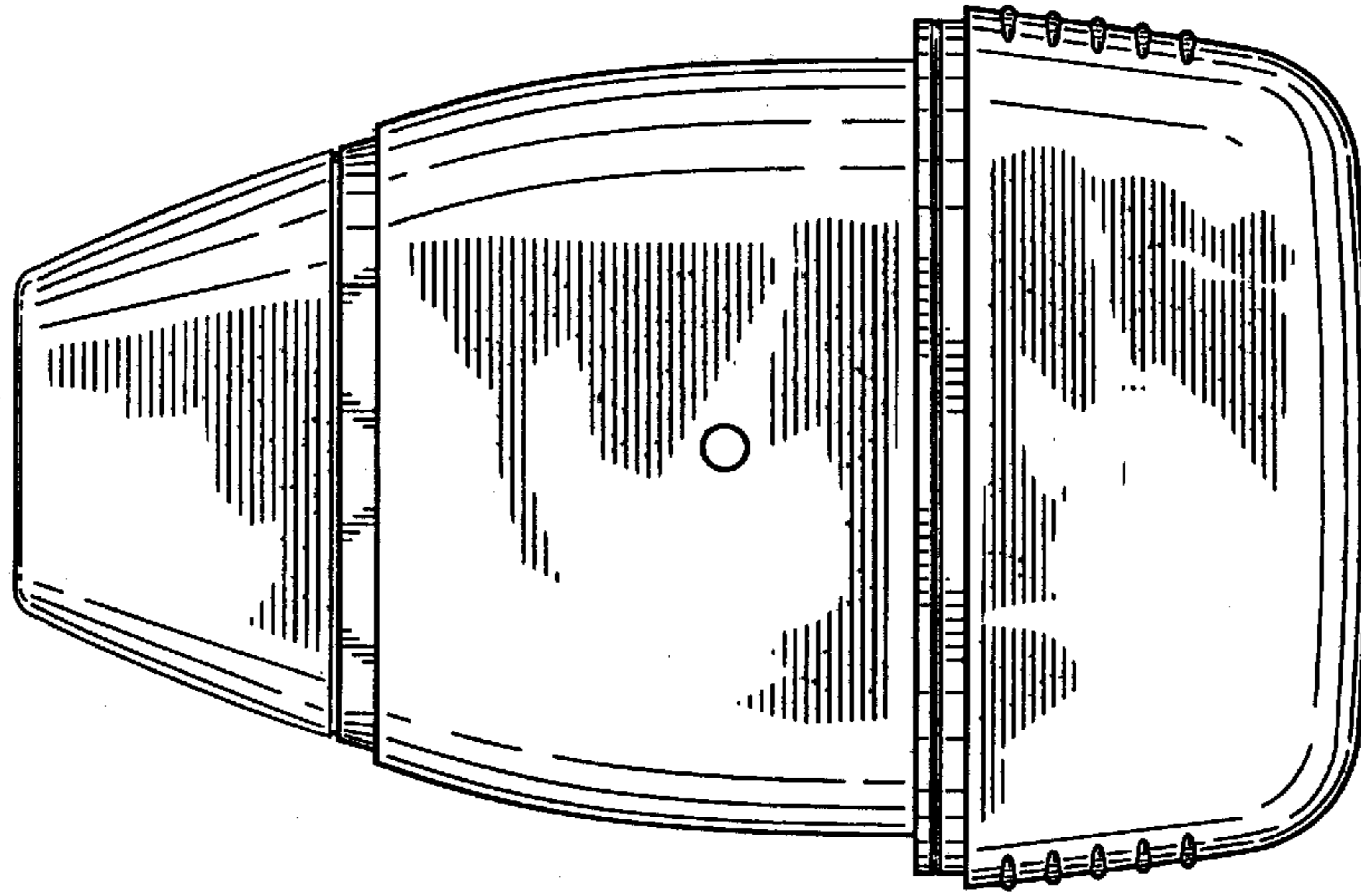


FIG. 11

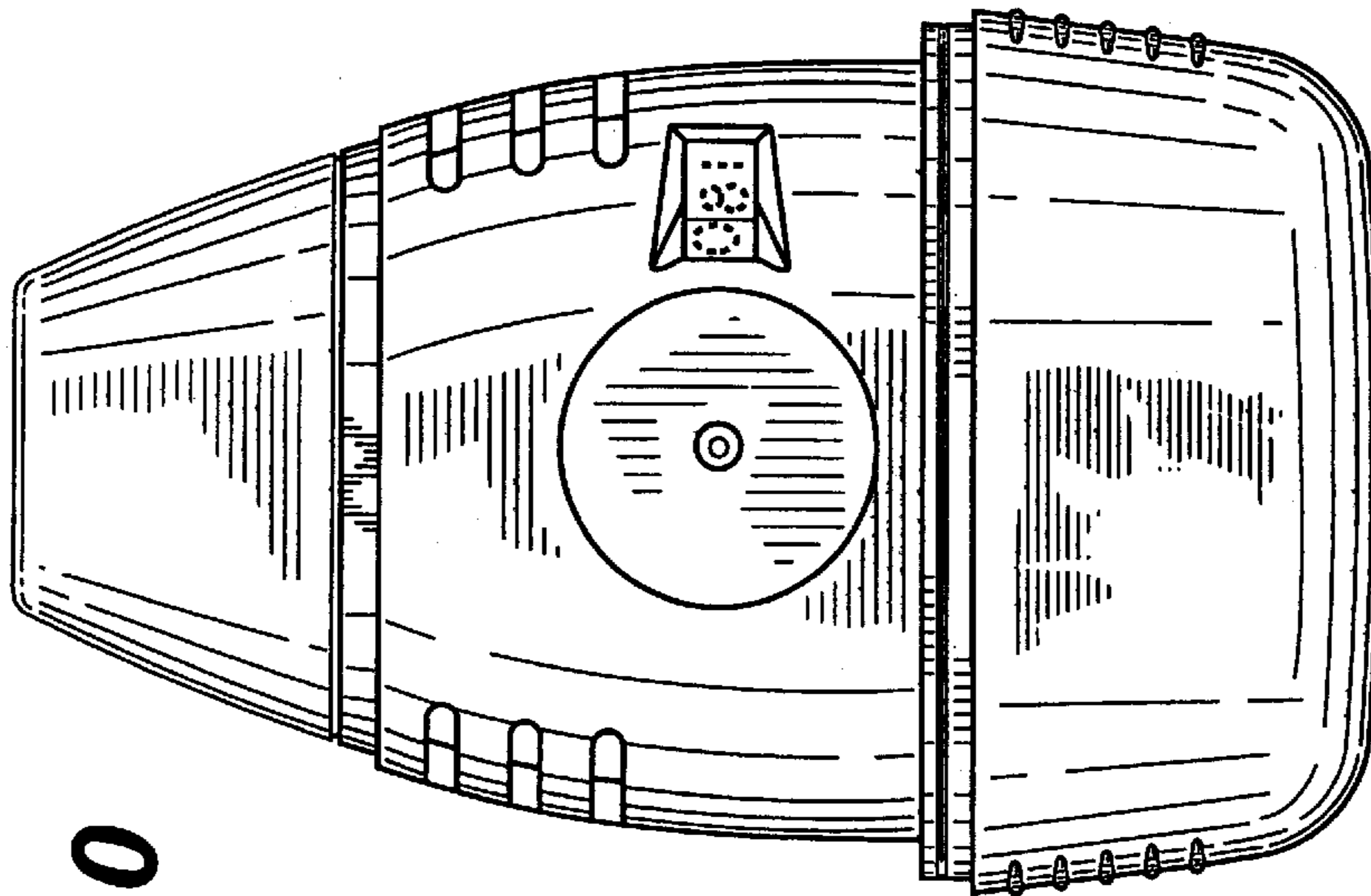


FIG. 10

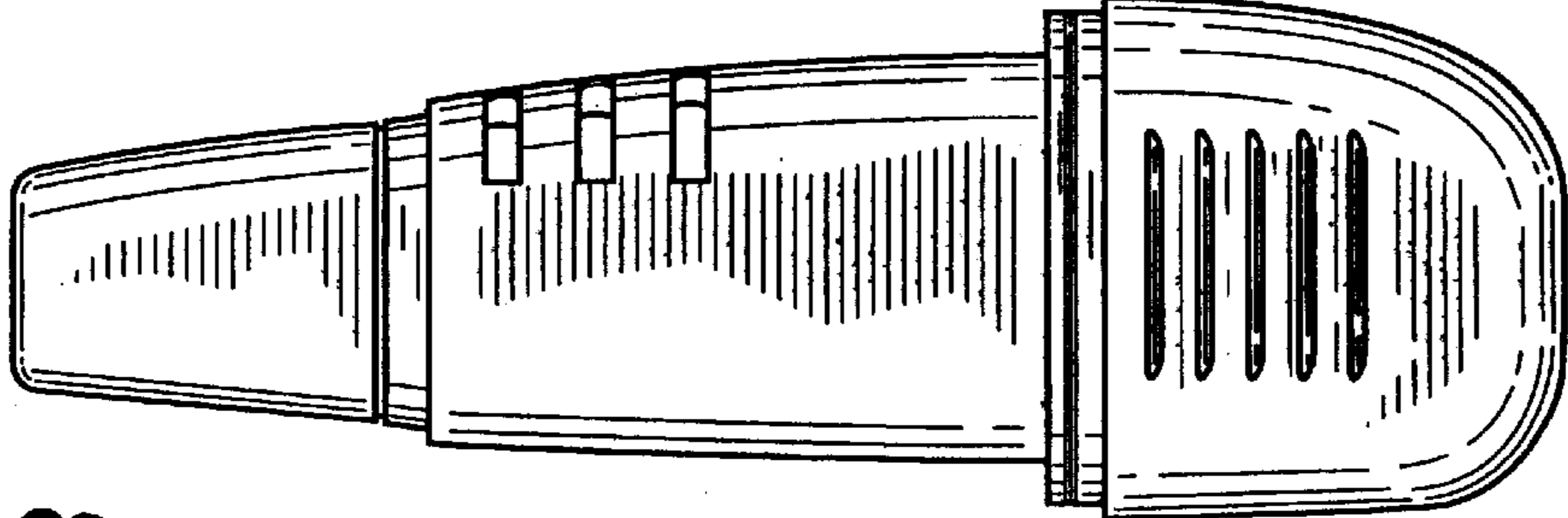


FIG. 13

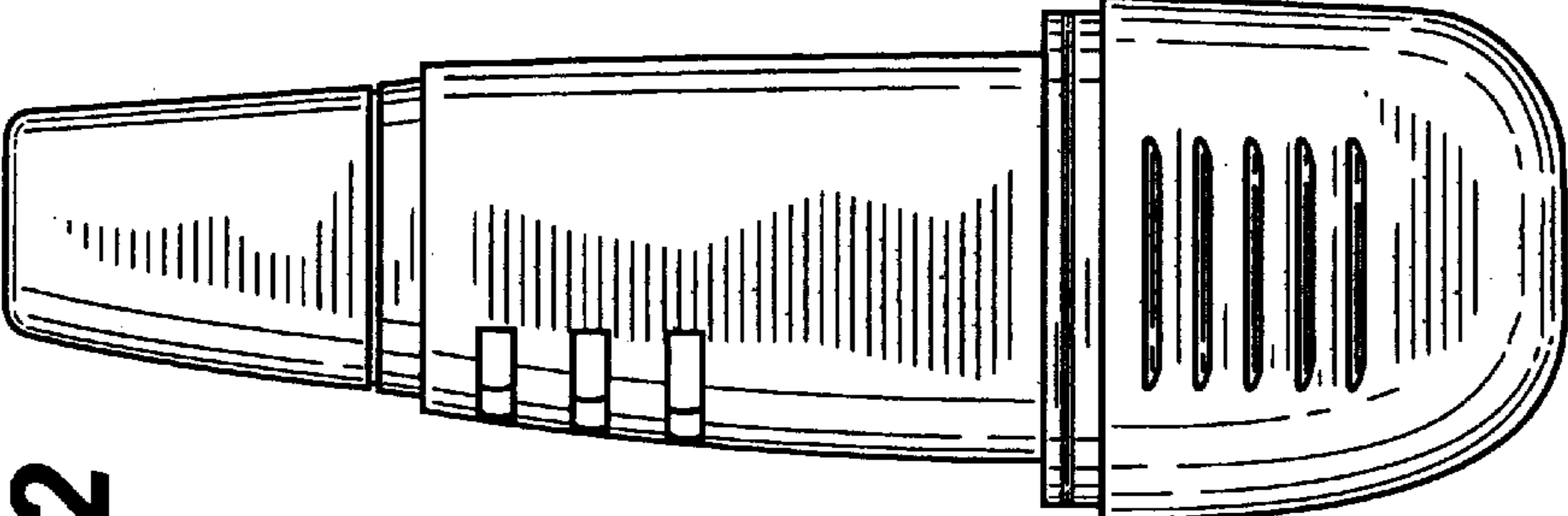


FIG. 12

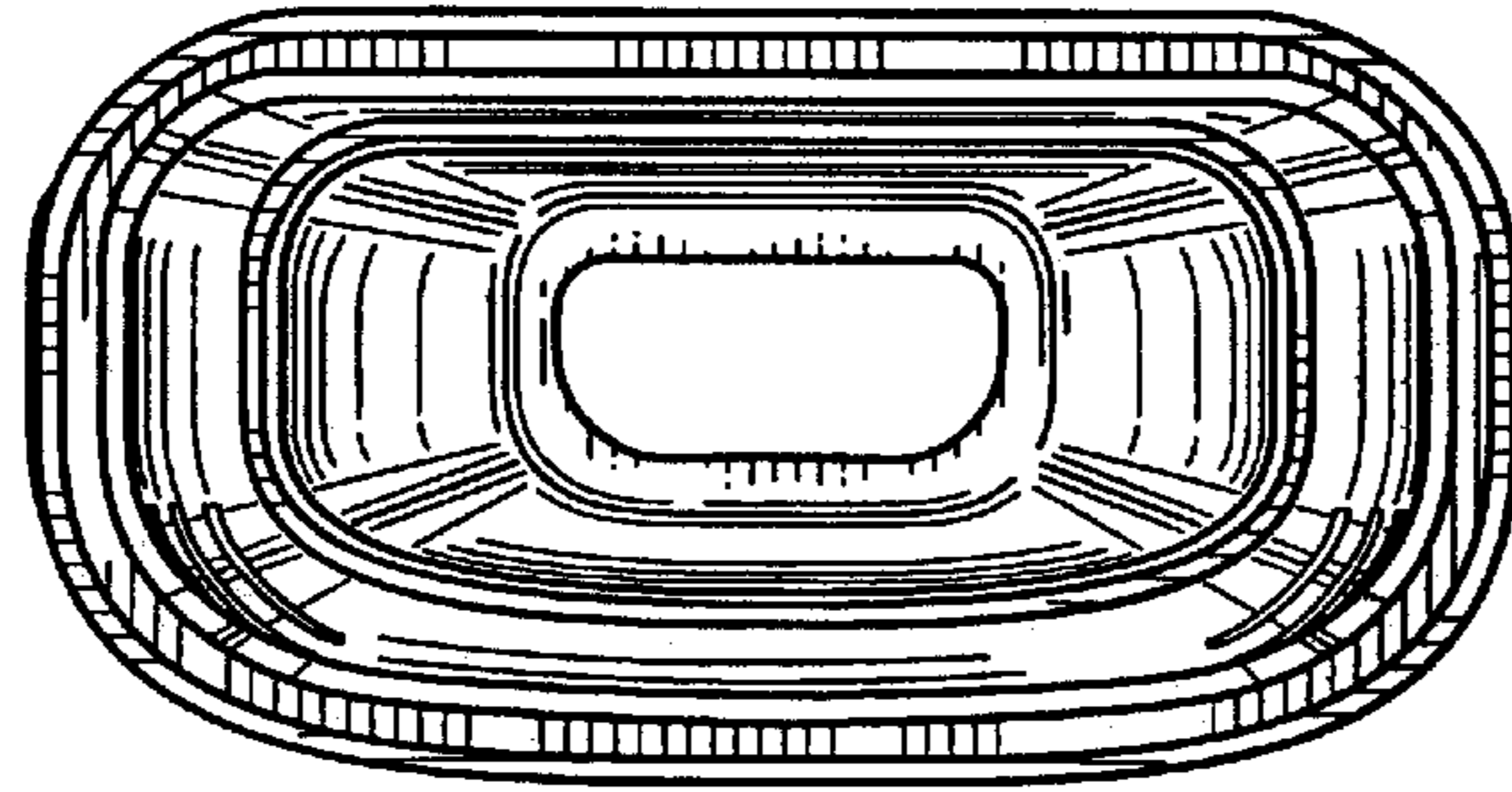


FIG. 14

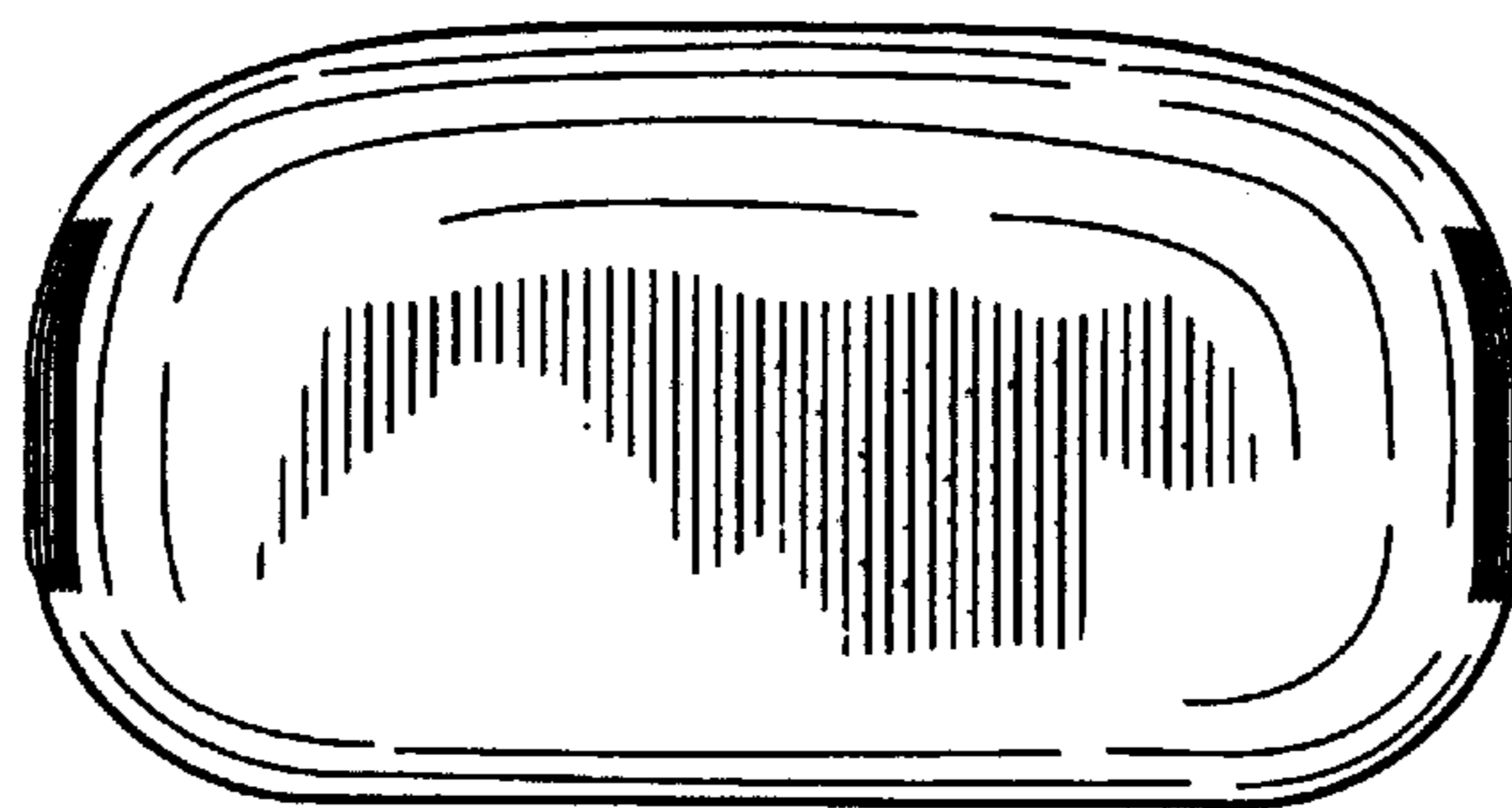


FIG. 15

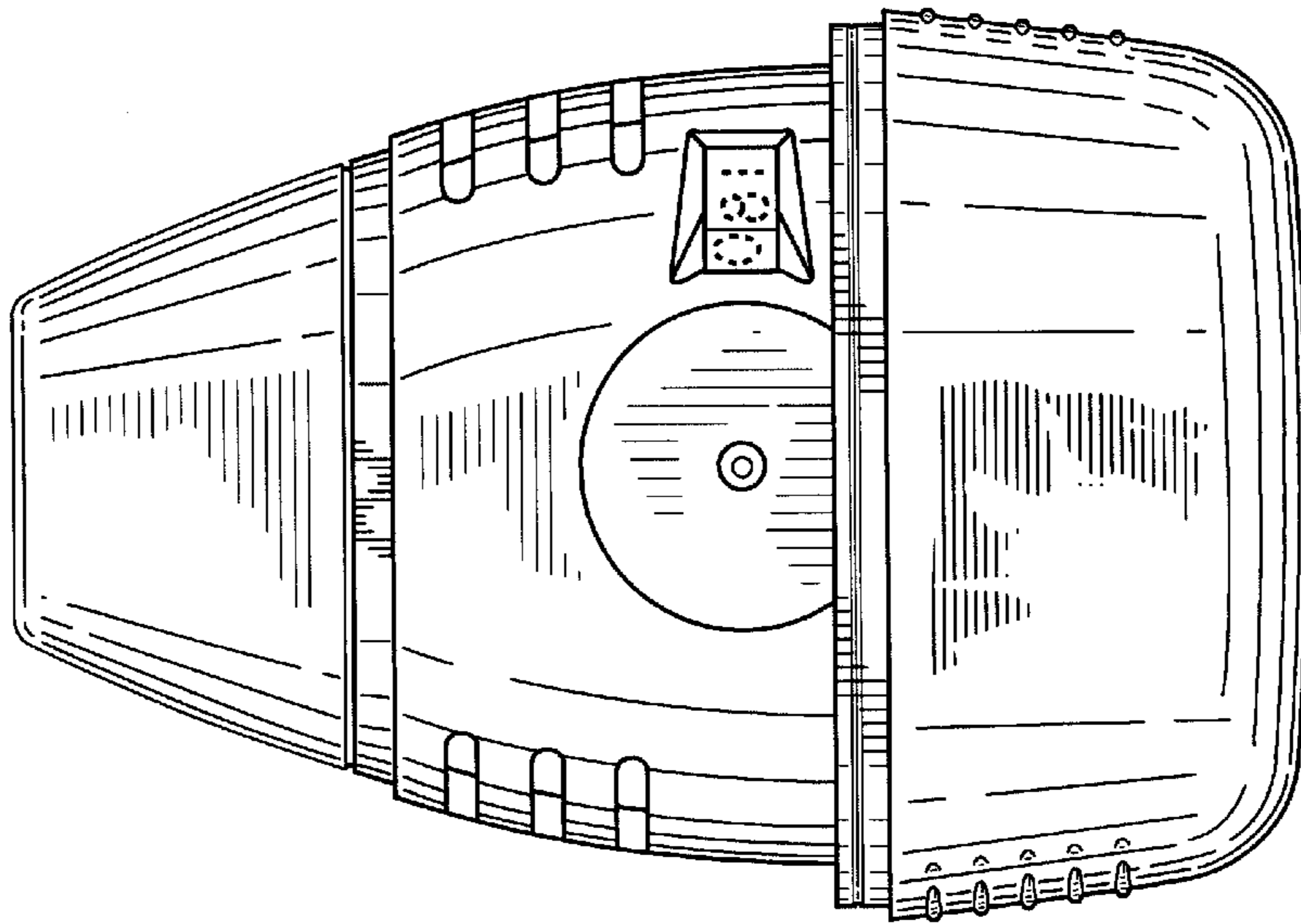


FIG. 16

UNITED STATES PATENT AND TRADEMARK OFFICE
CERTIFICATE OF CORRECTION

PATENT NO. : Des. 527,816 S
APPLICATION NO. : 29/208946
DATED : September 5, 2006
INVENTOR(S) : Toru Nishibayashi et al.

Page 1 of 1

It is certified that error appears in the above-identified patent and that said Letters Patent is hereby corrected as shown below:

Title page, item (73) "Otsuka Techno Corporation , Tokyo," should read --Otsuka Techno Corporation, Tokushima--.

Signed and Sealed this

Twelfth Day of December, 2006

A handwritten signature in black ink on a light gray dotted background. The signature reads "Jon W. Dudas" in a cursive style.

JON W. DUDAS

Director of the United States Patent and Trademark Office