



US00D527815S

(12) **United States Design Patent** (10) **Patent No.:** **US D527,815 S**  
**Nishibayashi et al.** (45) **Date of Patent:** **\*\* Sep. 5, 2006**

(54) **POWDER INHALATOR**

(75) Inventors: **Toru Nishibayashi**, Tokushima (JP);  
**Tetsuya Sato**, Tokushima (JP);  
**Shintaro Adachi**, Tokushima (JP)

(73) Assignees: **Otsuka Pharmaceutical Co., Ltd.**,  
Tokyo (JP); **Otsuko Techno**  
**Corporation**, Tokyo (JP)

(\*\*) Term: **14 Years**

(21) Appl. No.: **29/208,945**

(22) Filed: **Jul. 9, 2004**

(30) **Foreign Application Priority Data**

Jan. 23, 2004 (JP) ..... 2004-001627

(51) **LOC (8) Cl.** ..... **29-02**

(52) **U.S. Cl.** ..... **D24/110**

(58) **Field of Classification Search** ..... D9/686;  
D24/110; 128/200.12, 200.14, 200.23, 203.15,  
128/203.21, 205.23

See application file for complete search history.

(56) **References Cited**

**U.S. PATENT DOCUMENTS**

D399,130 S \* 10/1998 Monaghan ..... D9/686  
D414,261 S \* 9/1999 Ritsche ..... D24/110  
D414,555 S \* 9/1999 Ritsche ..... D24/110  
D478,983 S \* 8/2003 Whitehall et al. .... D24/110  
6,644,305 B1 \* 11/2003 MacRae et al. .... 128/200.21  
6,745,760 B1 \* 6/2004 Grychowski et al. .. 128/200.14

\* cited by examiner

*Primary Examiner*—Ian Simmons

*Assistant Examiner*—Christopher Lee

(74) *Attorney, Agent, or Firm*—Finnegan, Henderson,  
Farabow, Garrett & Dunner, L.L.P.

(57) **CLAIM**

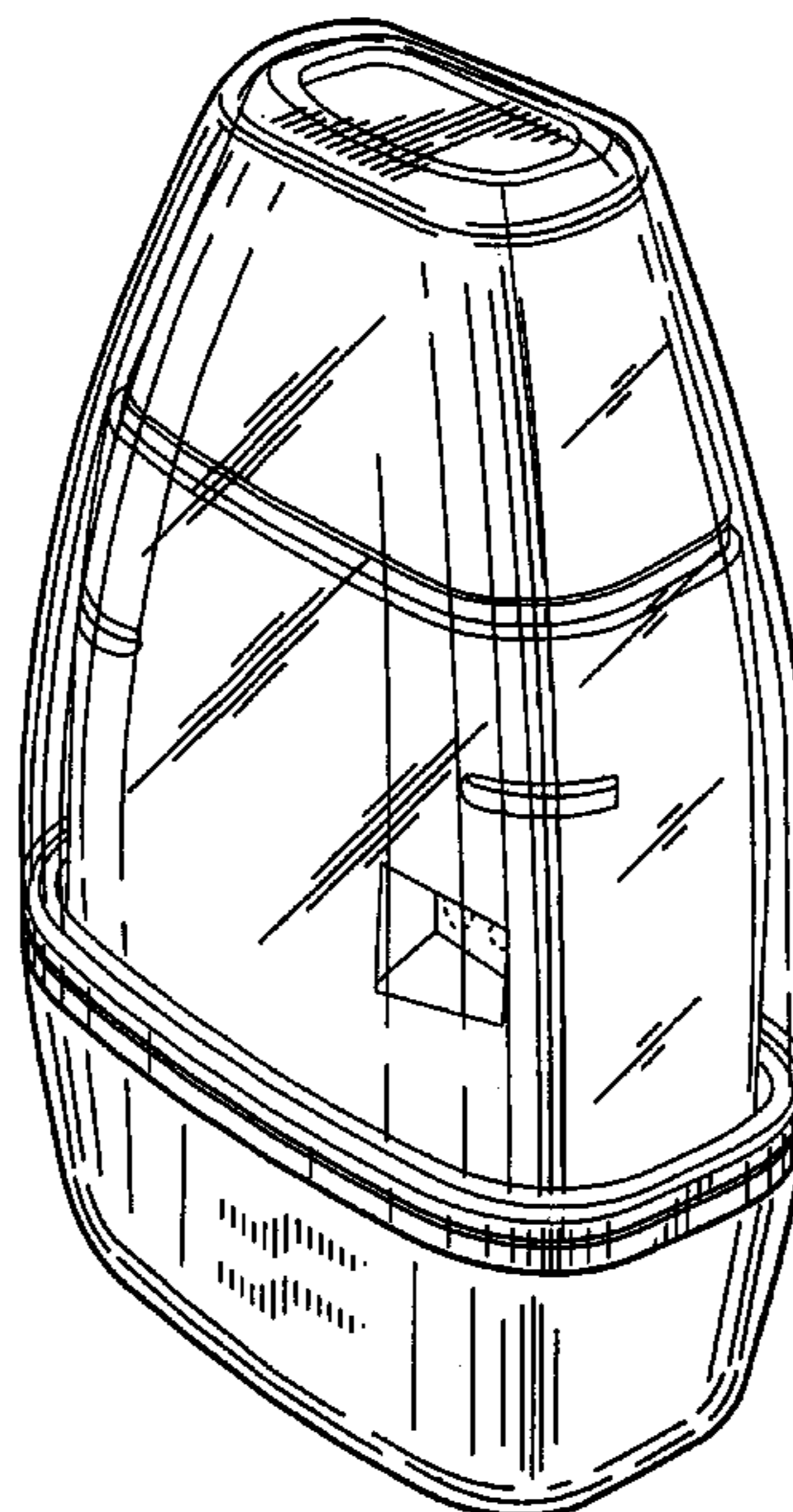
The ornamental design for a powder inhalator, as shown and described.

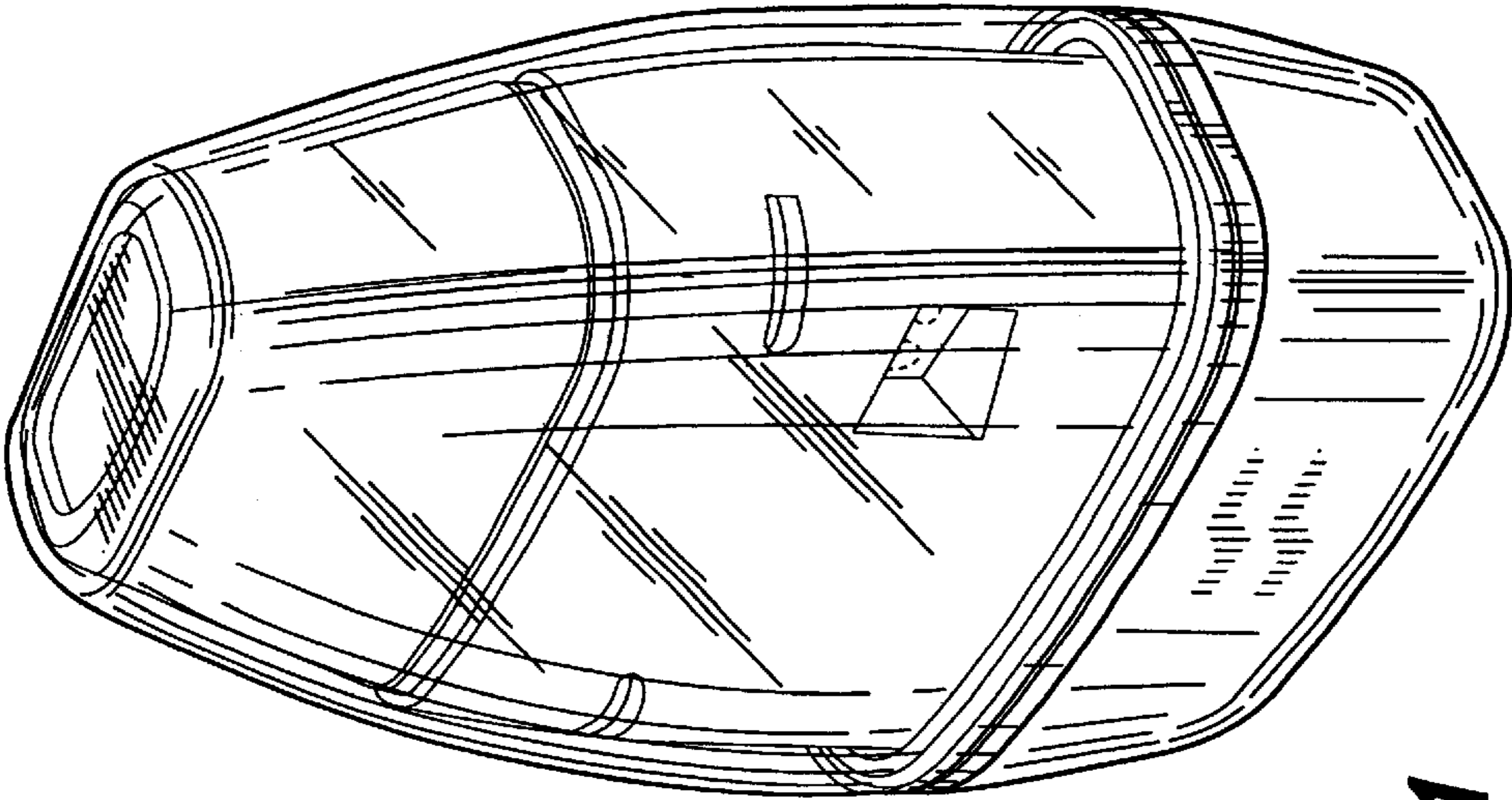
**DESCRIPTION**

FIG. 1 is a perspective view of a powder inhalator showing our new design with a translucent cap in a stored position; FIG. 2 is a front elevational view thereof; FIG. 3 is a rear elevational view thereof; FIG. 4 is a right side elevational view thereof; FIG. 5 is a left side elevational view thereof; FIG. 6 is a top plan view thereof; FIG. 7 is a bottom plan view thereof; FIG. 8 is a front elevational view of the powder inhalator of FIG. 1 with the translucent cap removed; FIG. 9 is a perspective view of FIG. 8; FIG. 10 is a front elevational view of FIG. 8; FIG. 11 is a rear elevational view of FIG. 8; FIG. 12 is a right side elevational view of FIG. 8; FIG. 13 is a left side elevational view of FIG. 8; FIG. 14 is a top plan view of FIG. 8; FIG. 15 is a bottom plan view of FIG. 8; and, FIG. 16 is a front elevational view thereof shown in compressed condition.

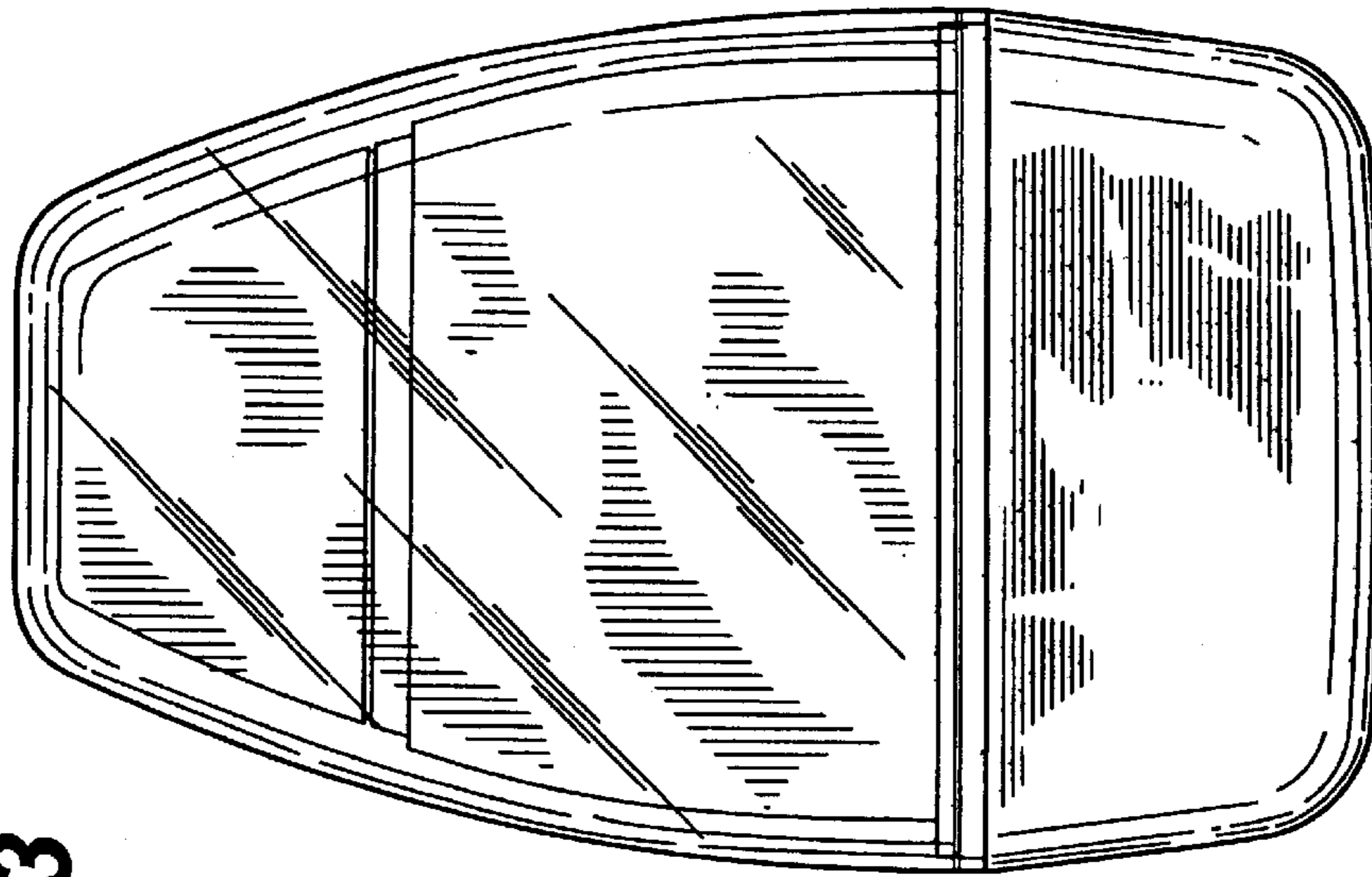
The broken line showing is for illustrative purposes only and forms no part of the claimed design.

**1 Claim, 10 Drawing Sheets**

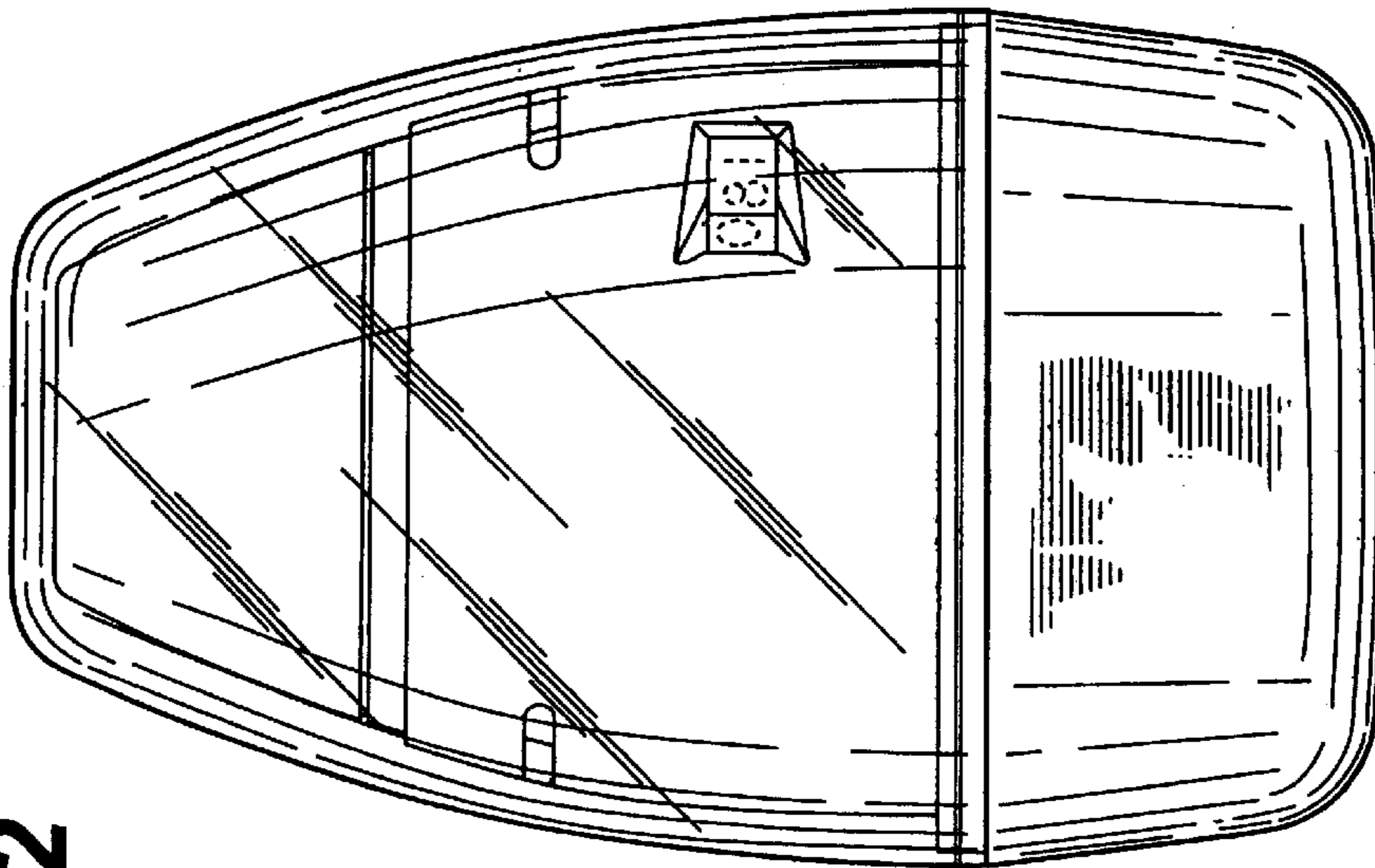




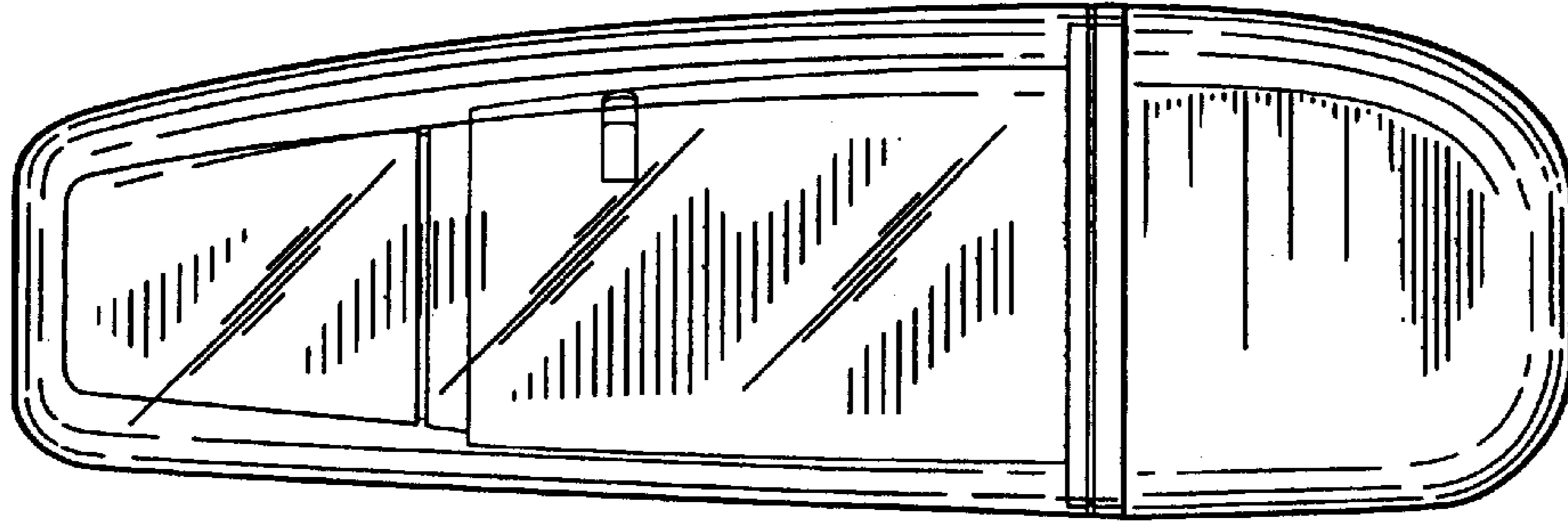
**FIG. 1**



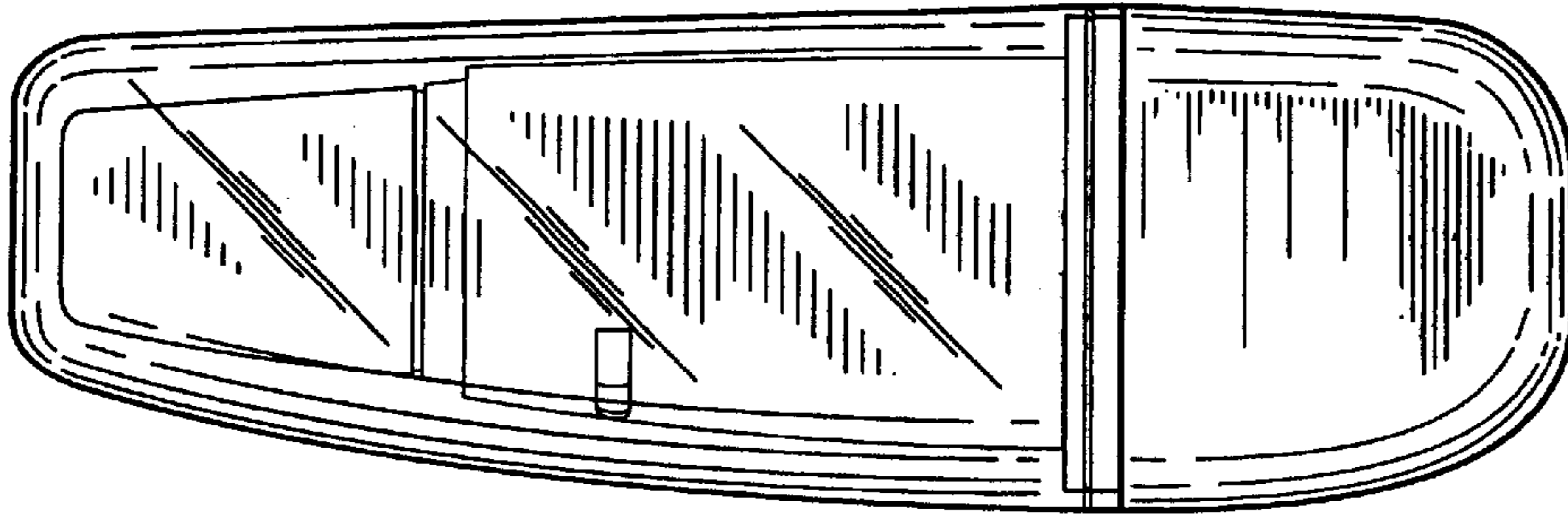
**FIG. 3**



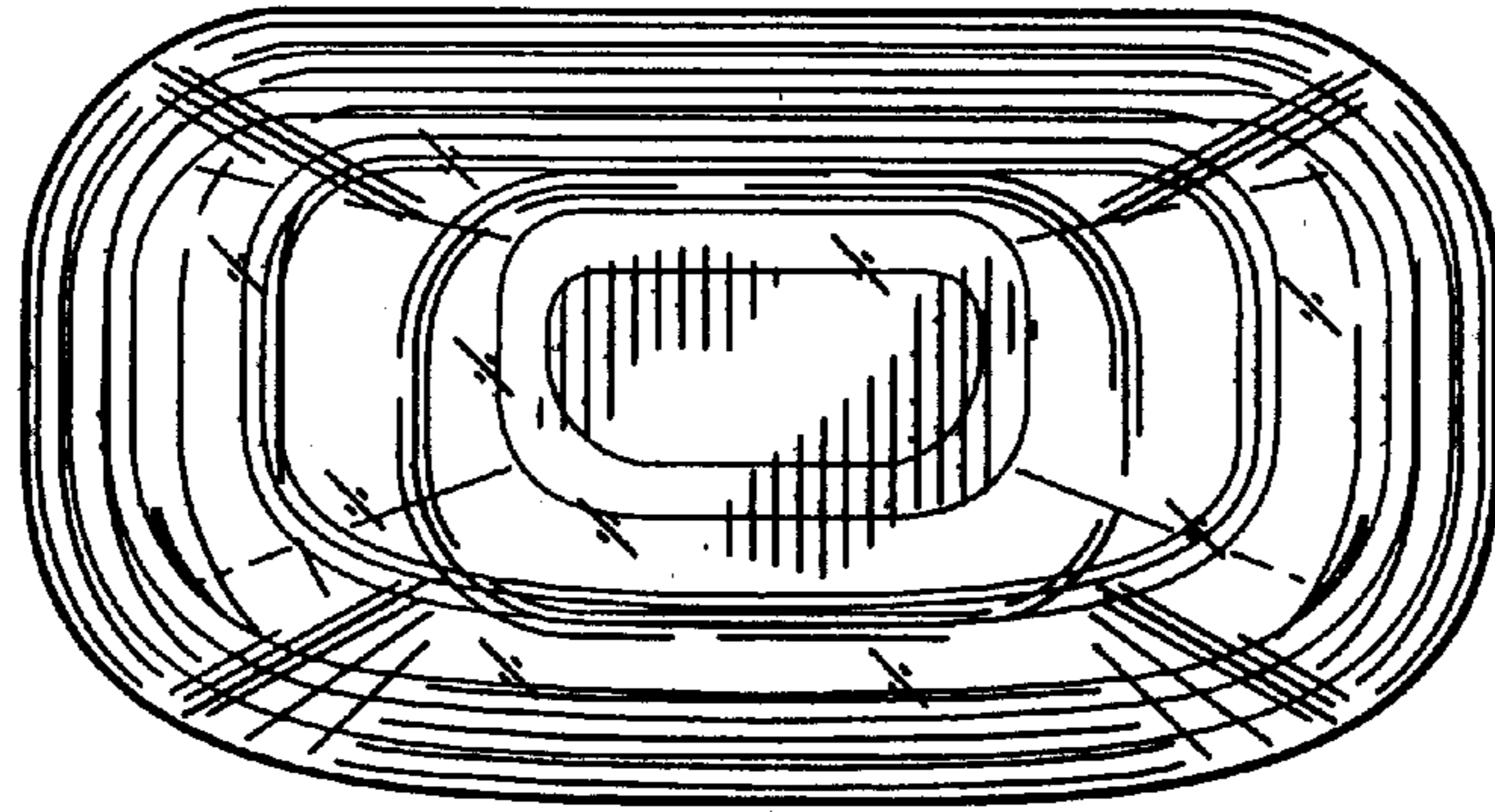
**FIG. 2**



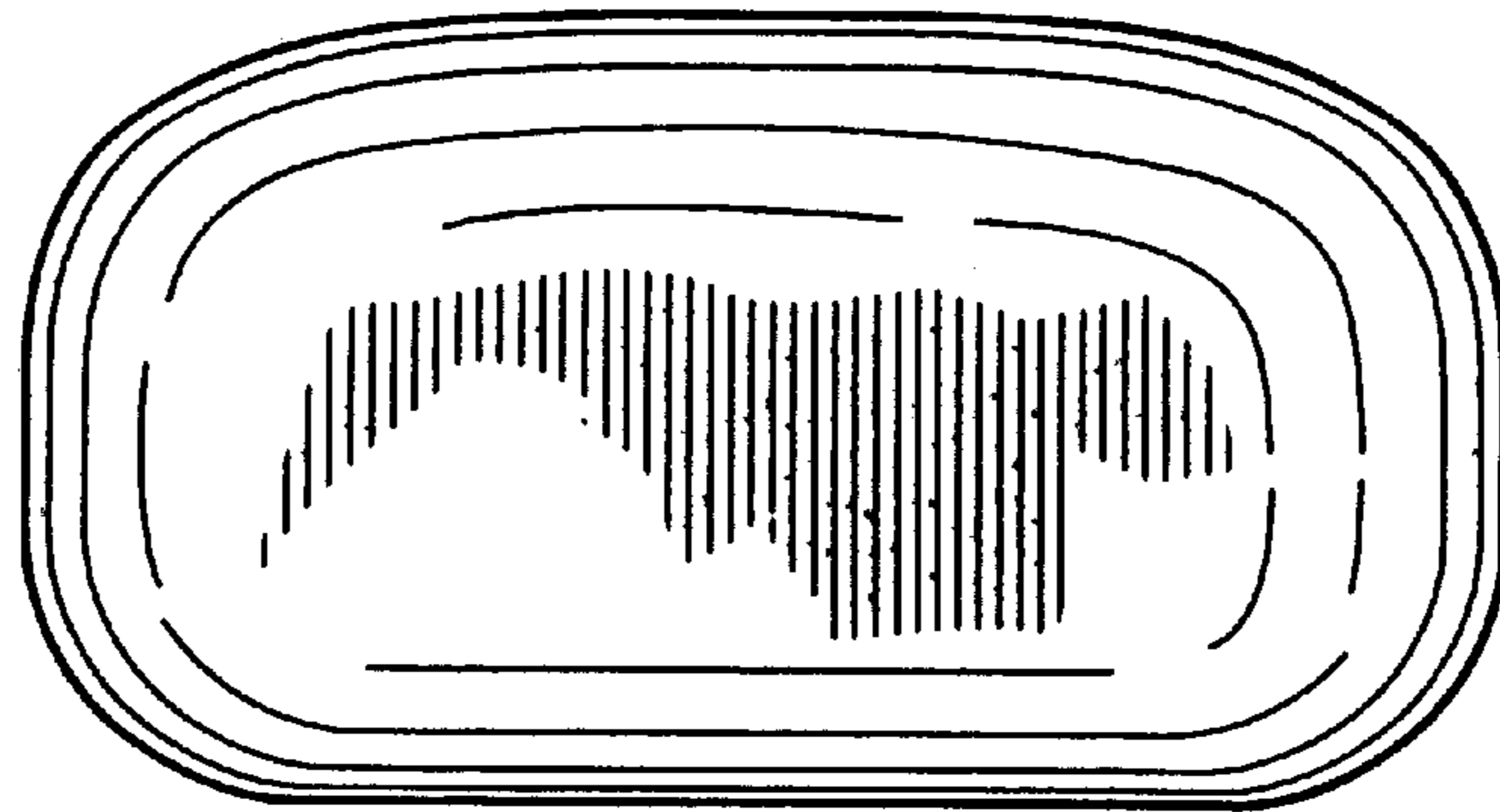
**FIG. 5**



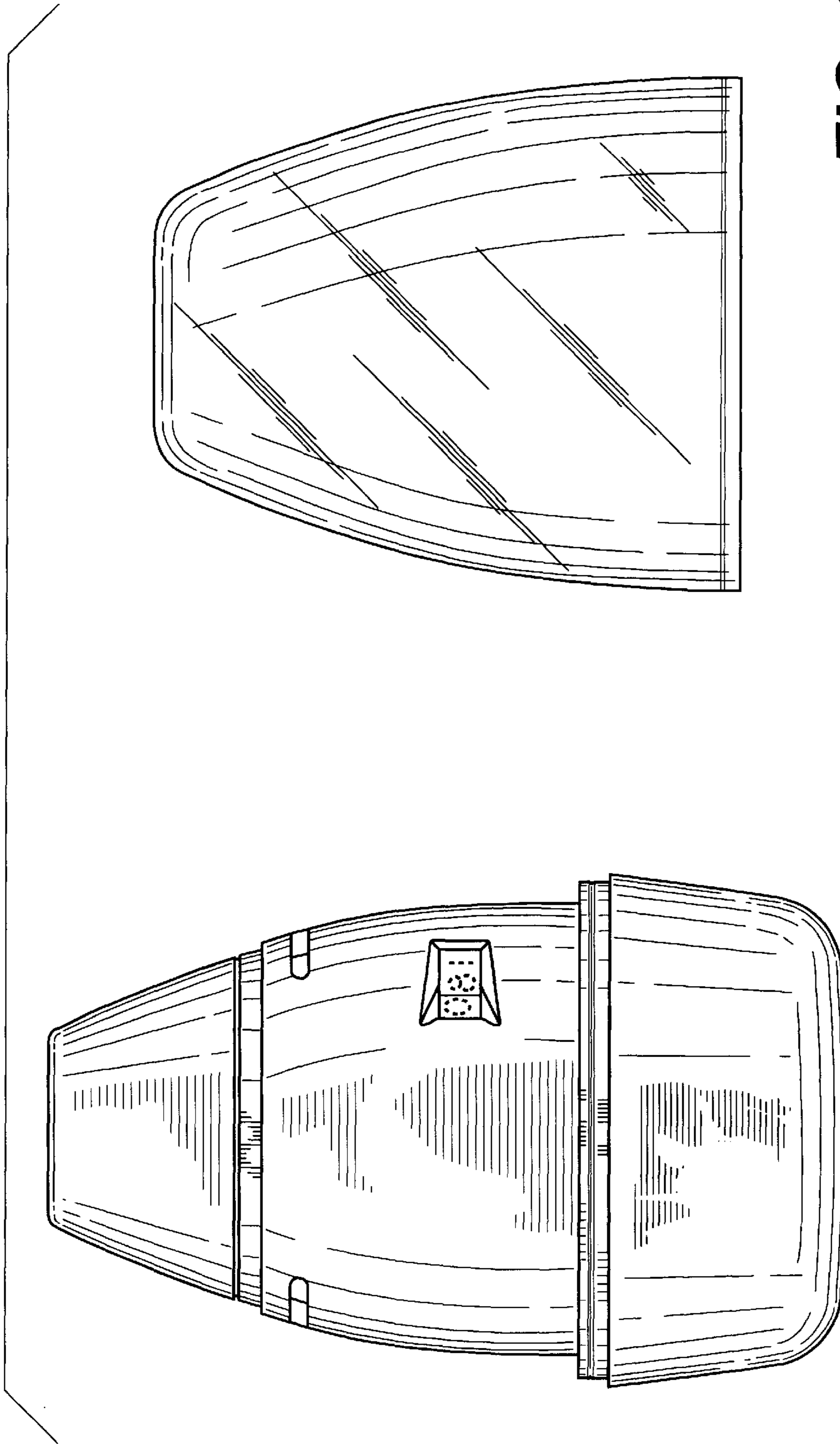
**FIG. 4**



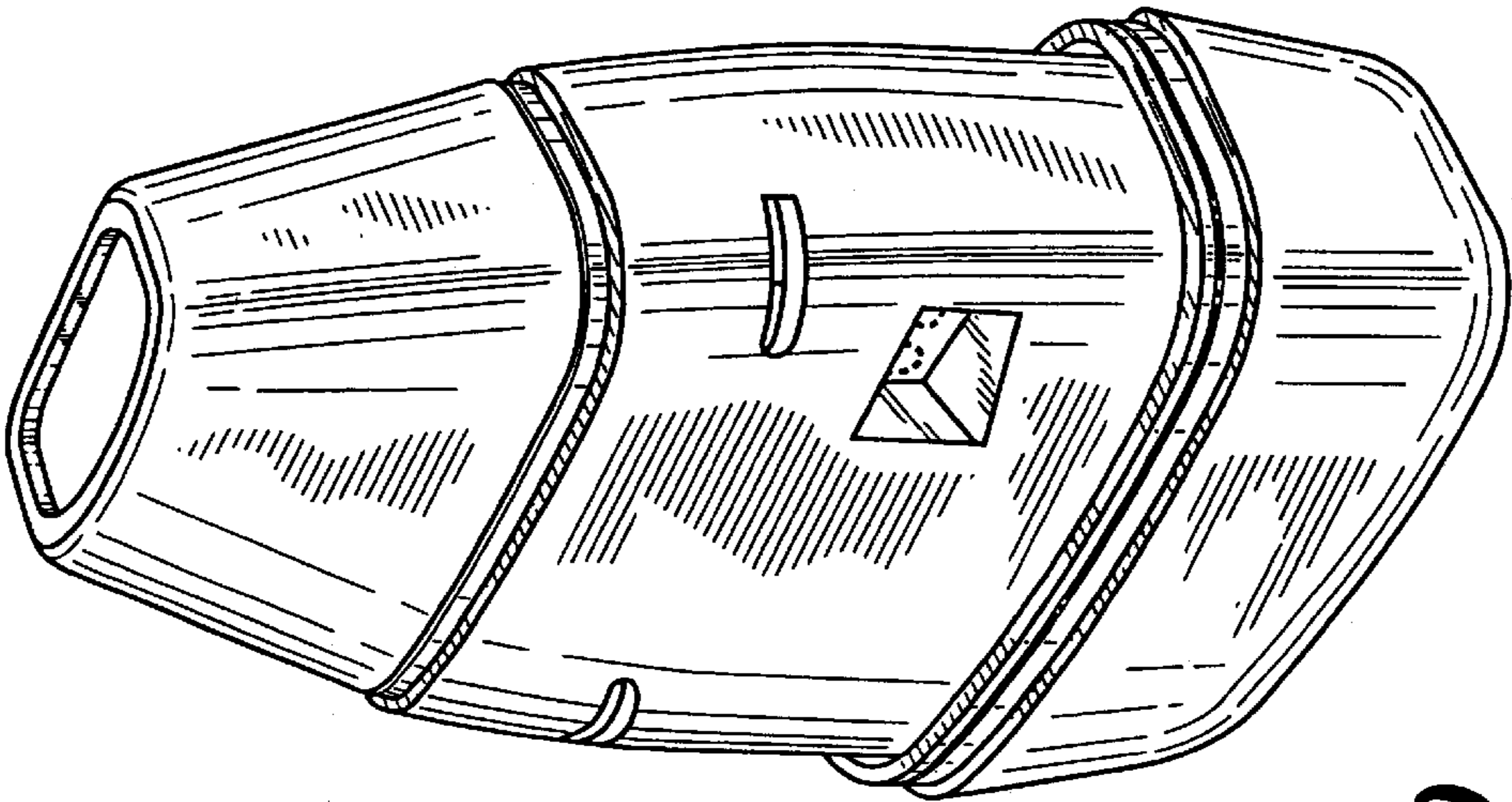
**FIG. 6**



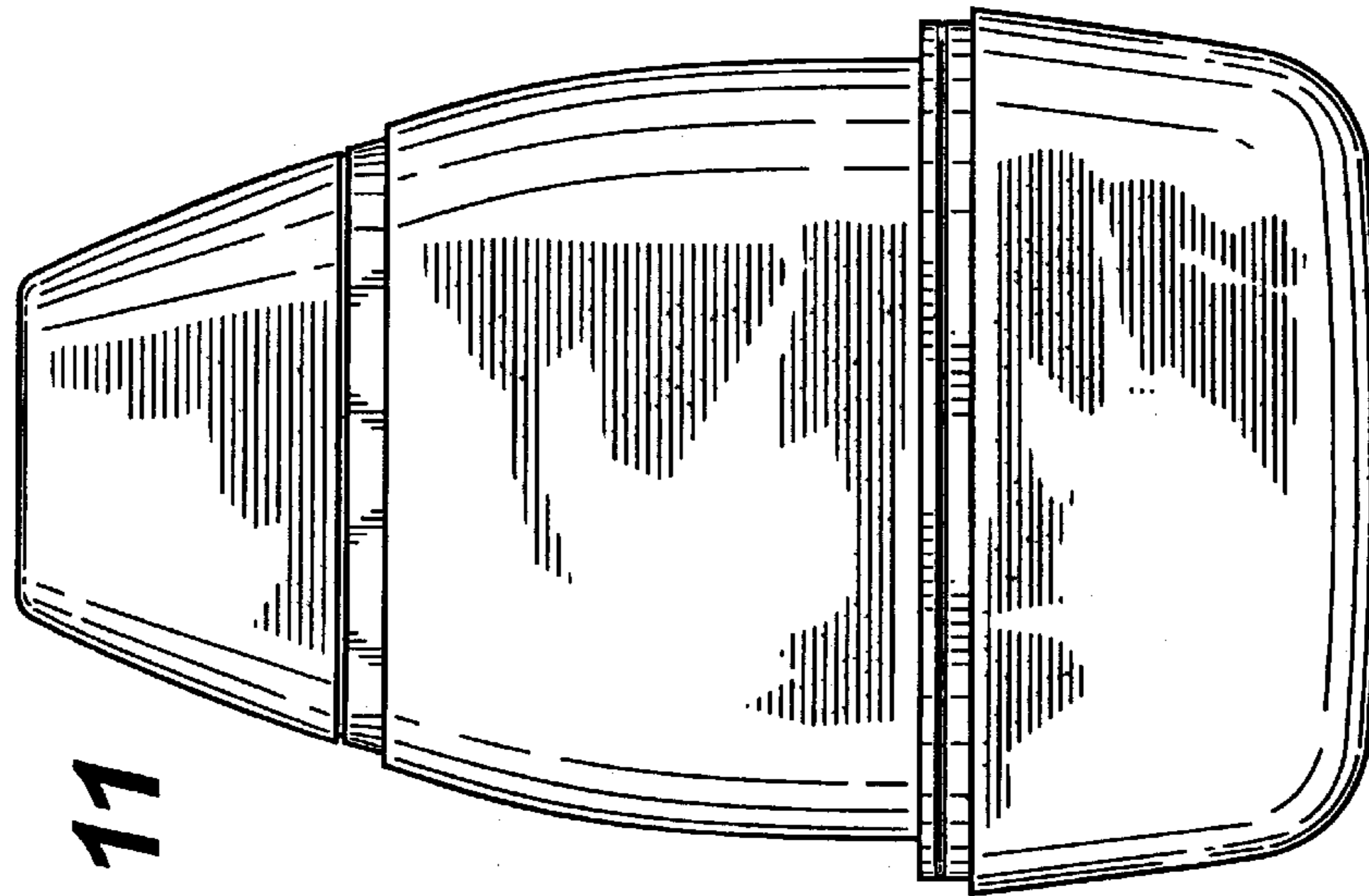
**FIG. 7**



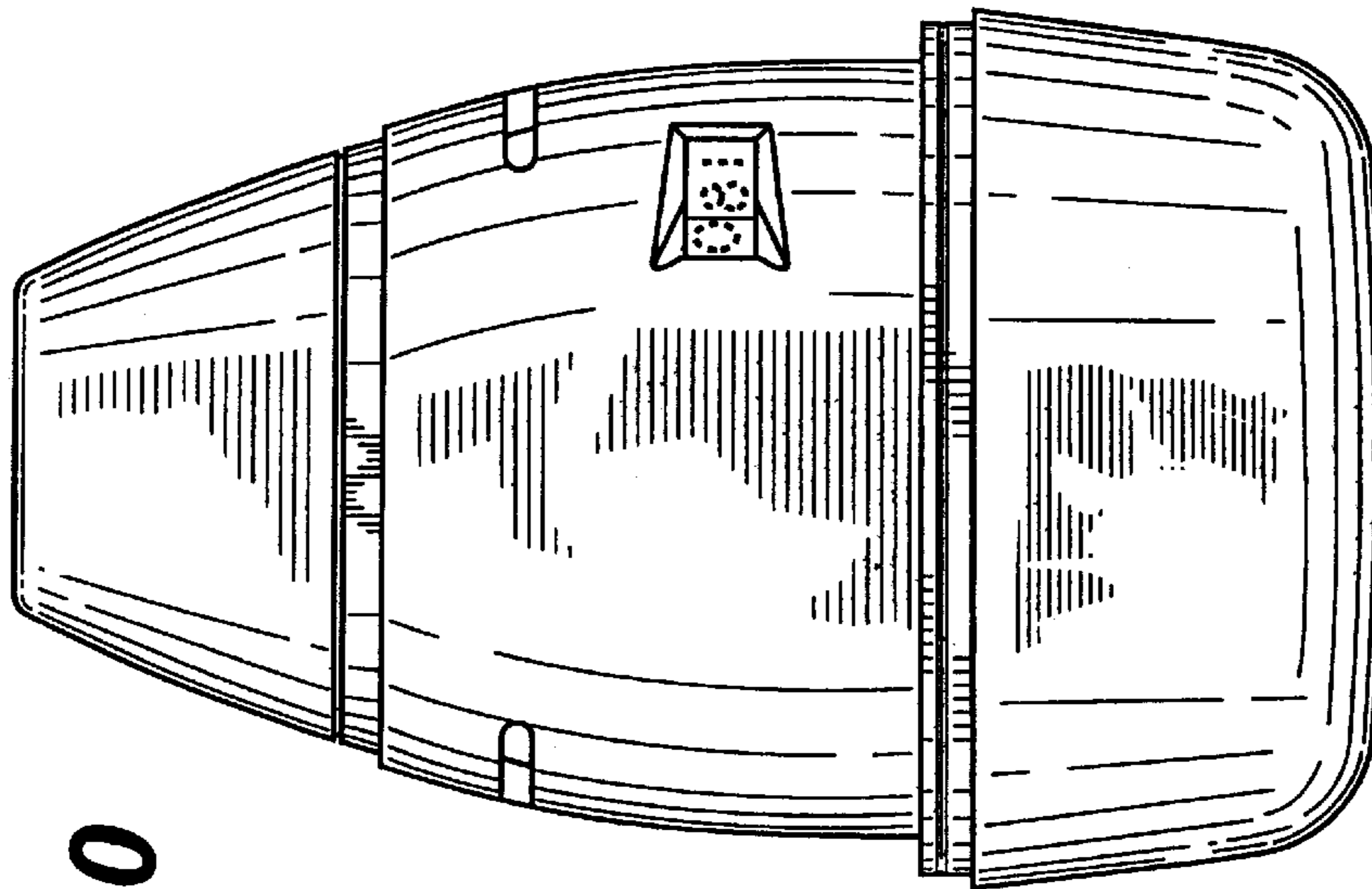
**FIG. 8**



**FIG. 9**

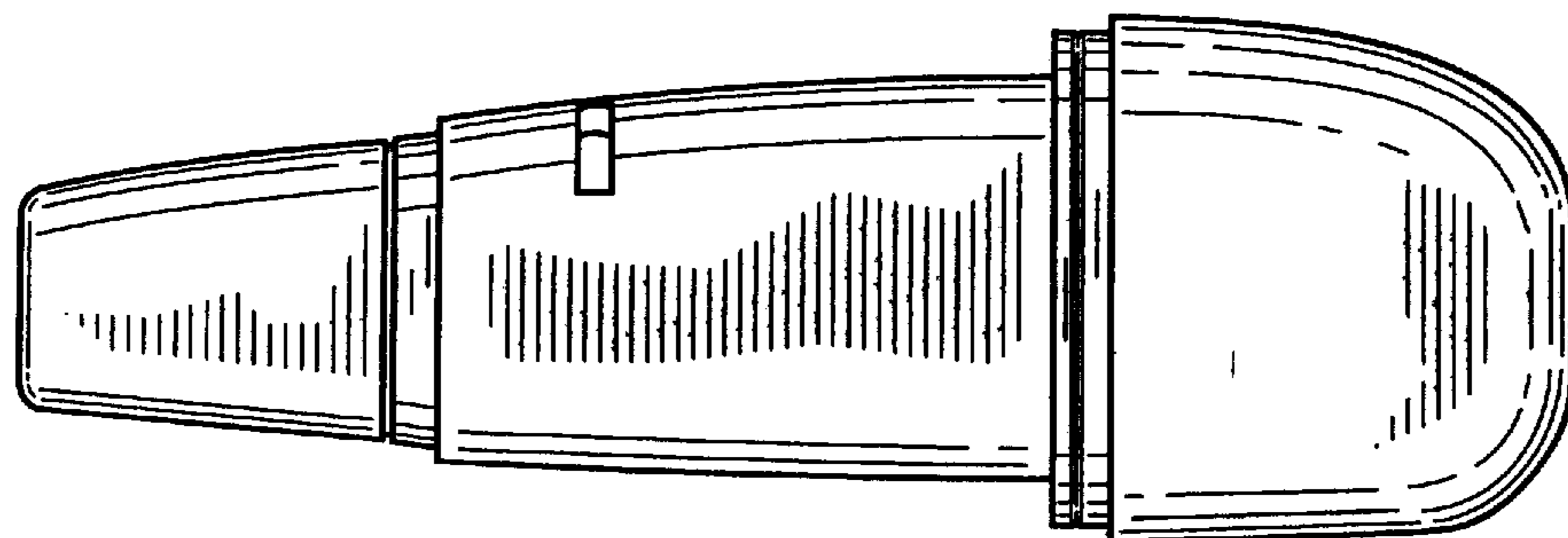


**FIG. 11**

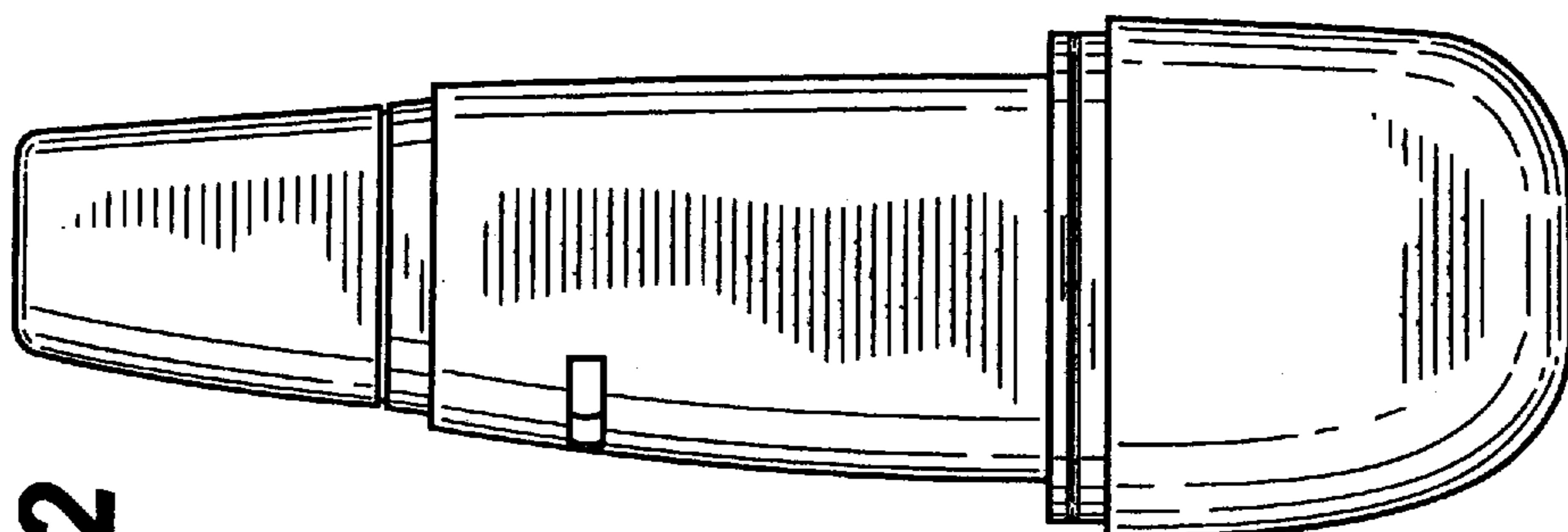


**FIG. 10**

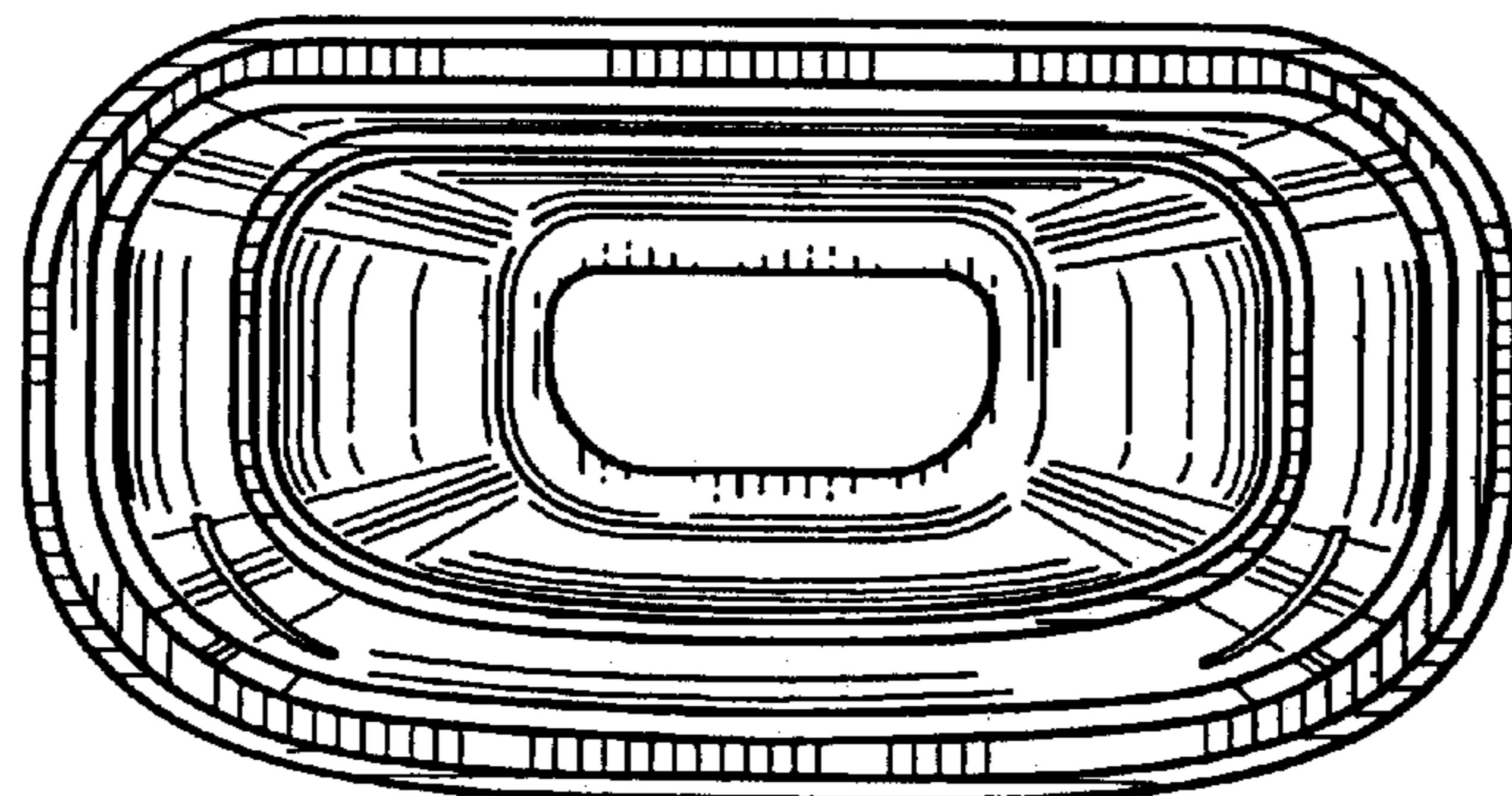




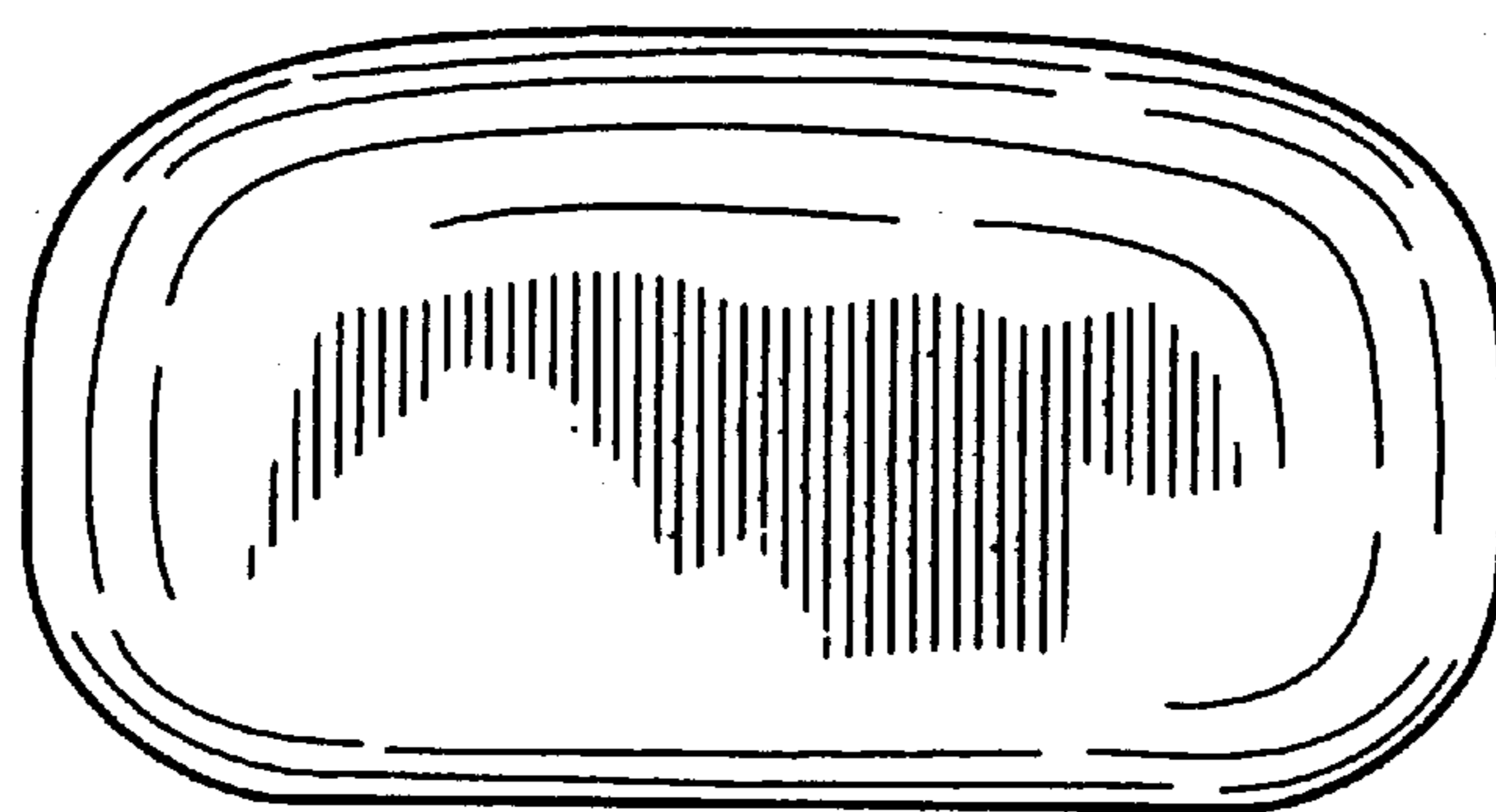
**FIG. 13**



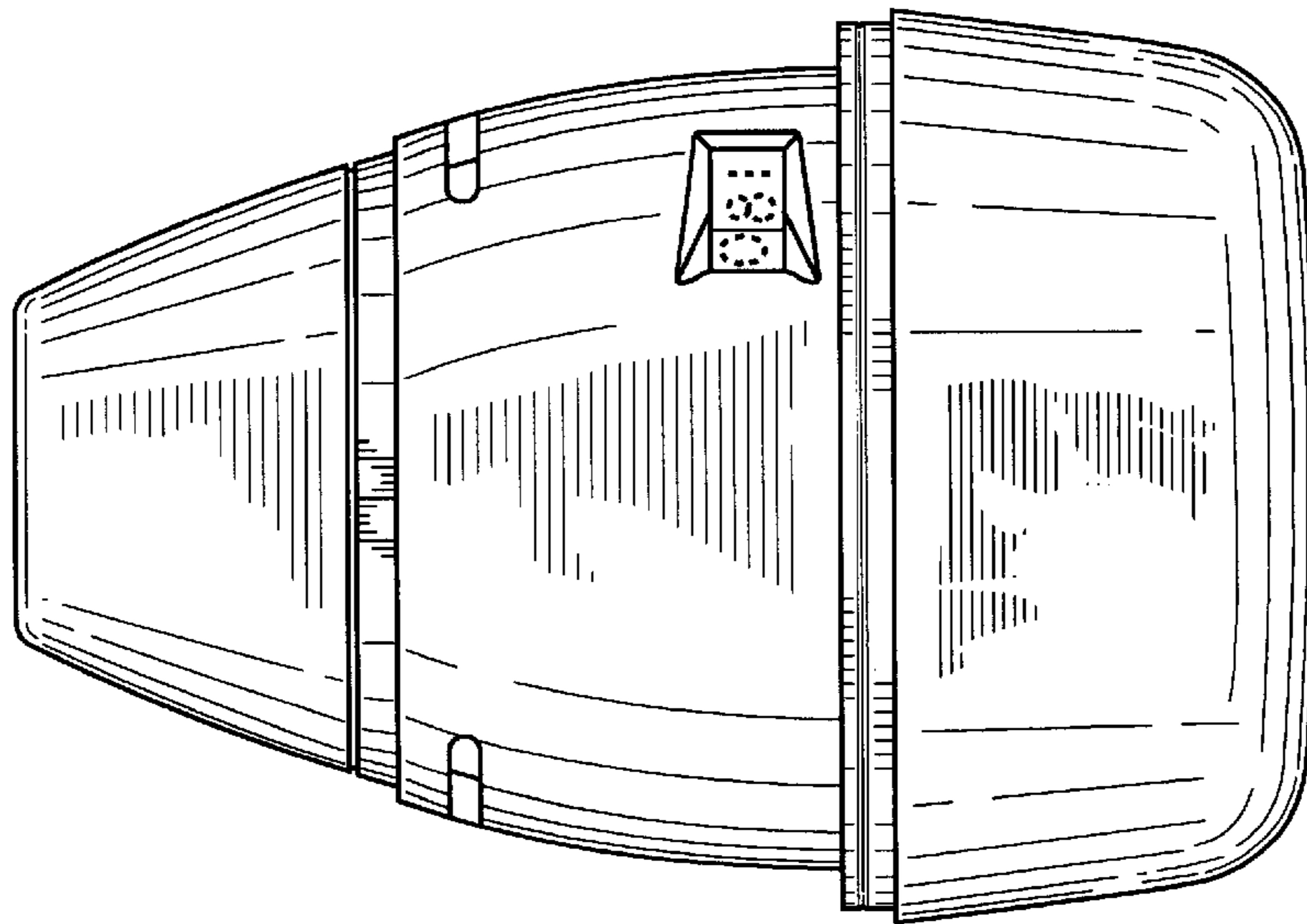
**FIG. 12**



**FIG. 14**



**FIG. 15**



**FIG. 16**

UNITED STATES PATENT AND TRADEMARK OFFICE  
**CERTIFICATE OF CORRECTION**

PATENT NO. : D527,815 S  
APPLICATION NO. : 29/208945  
DATED : September 5, 2006  
INVENTOR(S) : Toru Nishibayashi et al.

Page 1 of 1

It is certified that error appears in the above-identified patent and that said Letters Patent is hereby corrected as shown below:

On the title page, item (73) "Otsuka Techno Corporation , Tokyo," should read

--Otsuka Techno Corporation, Tokushima--.

Signed and Sealed this  
Third Day of February, 2015



Michelle K. Lee  
*Deputy Director of the United States Patent and Trademark Office*