



US00D527812S

(12) **United States Design Patent**
Brown

(10) **Patent No.:** **US D527,812 S**

(45) **Date of Patent:** **** Sep. 5, 2006**

(54) **DEFLECTION REGISTER FOR AIR
CONDITIONING SYSTEM DEVICE**

(76) **Inventor:** **Carlton E. Brown**, P.O. Box 27525,
Tucson, AZ (US) 85726

(**) **Term:** **14 Years**

(21) **Appl. No.:** **29/190,810**

(22) **Filed:** **Sep. 26, 2003**

(51) **LOC (8) Cl.** **23-99**

(52) **U.S. Cl.** **D23/390**

(58) **Field of Classification Search** D23/387-390;
454/290, 309, 271, 280; 52/663

See application file for complete search history.

(56) **References Cited**

U.S. PATENT DOCUMENTS

D158,672 S * 5/1950 Kock D23/390

D165,983 S * 2/1952 Kennedy D23/390

D214,501 S * 6/1969 Eklund D23/390

D225,460 S * 12/1972 Altobello D23/390

D338,266 S * 8/1993 Kimberlin D23/390

D370,723 S * 6/1996 Nishizawa D23/390

D427,303 S * 6/2000 Brown D23/390

* cited by examiner

Primary Examiner—Brian N Vinson

(74) *Attorney, Agent, or Firm*—Dale F. Regelman

(57) **CLAIM**

The ornamental design for a deflection register for air conditioning system device, as shown and described.

DESCRIPTION

FIG. 1 is a perspective view of a deflection register for air conditioning system device showing my new design;

FIG. 2 is a frontal elevation thereof;

FIG. 3 is a rear elevation thereof; and,

FIG. 4 is a side elevation thereof.

1 Claim, 4 Drawing Sheets

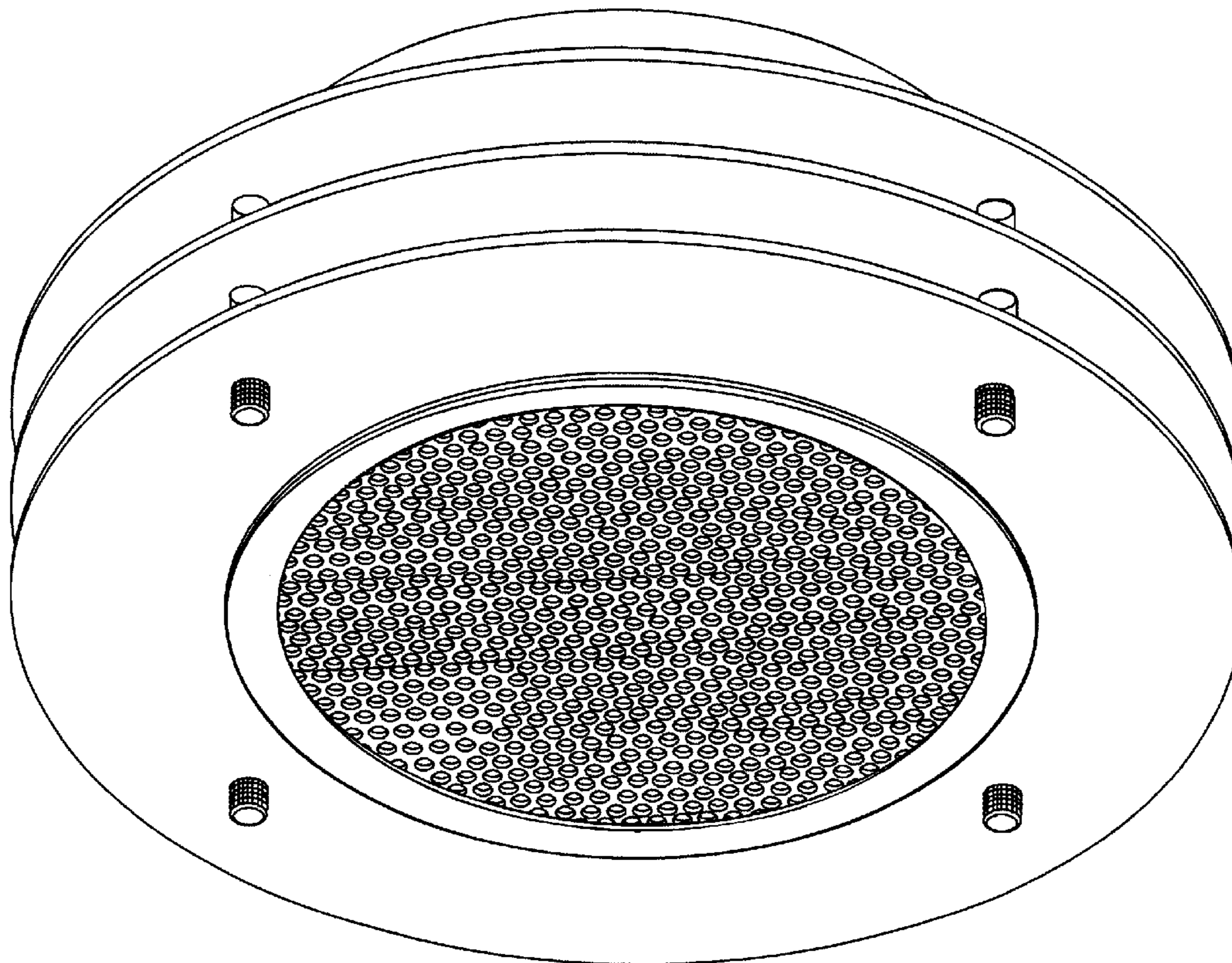


FIG. 1

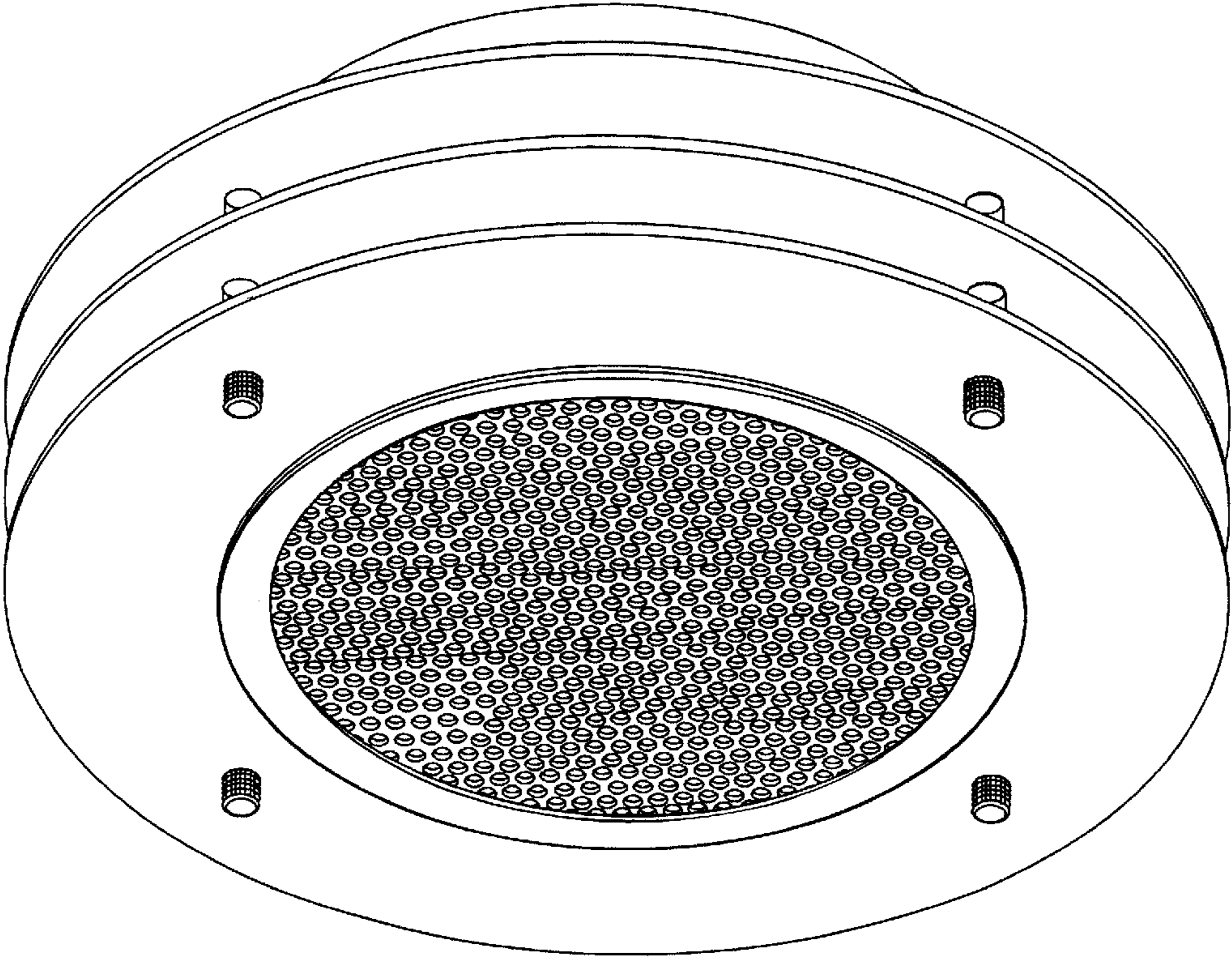


FIG. 2

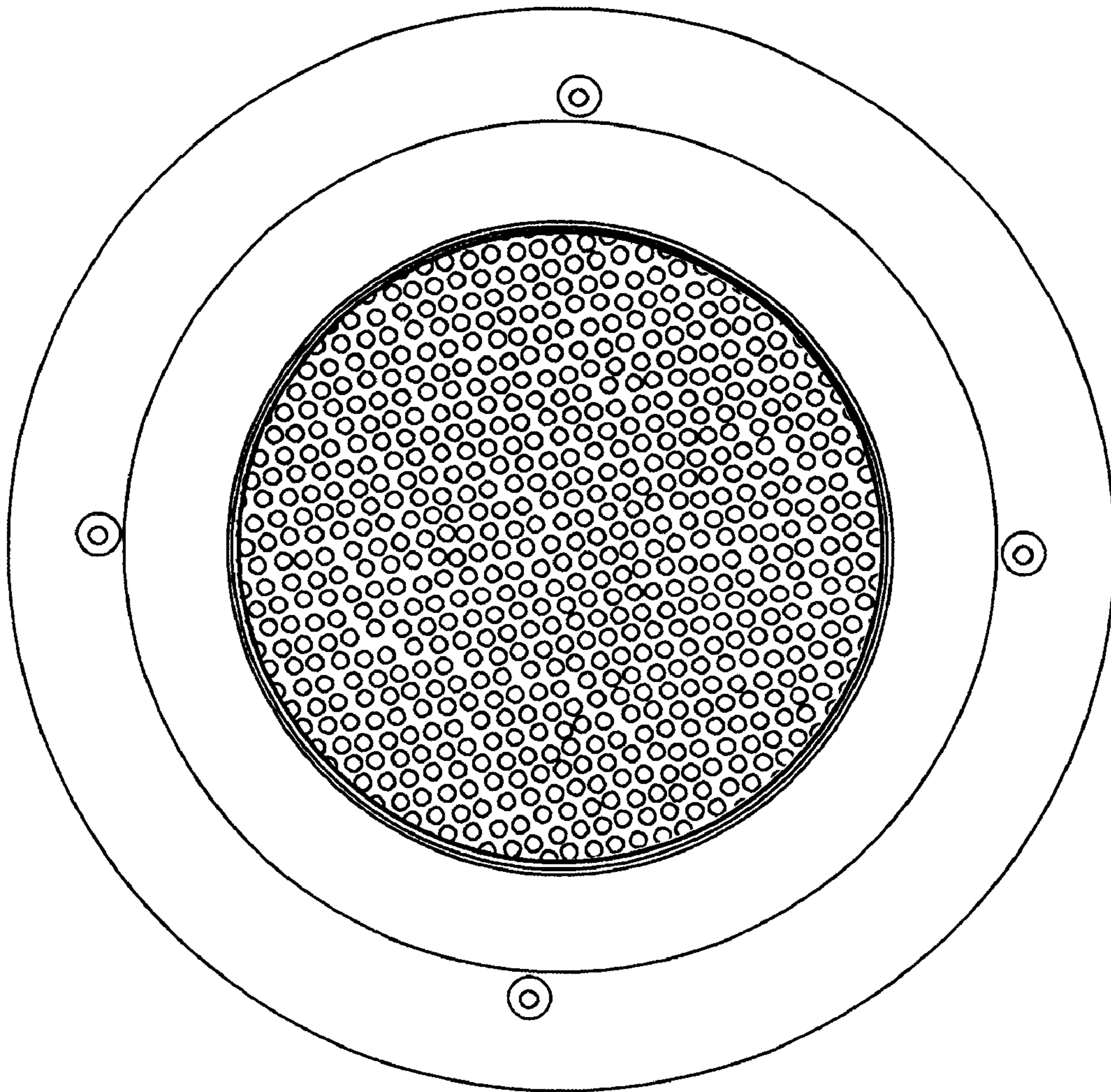


FIG. 3

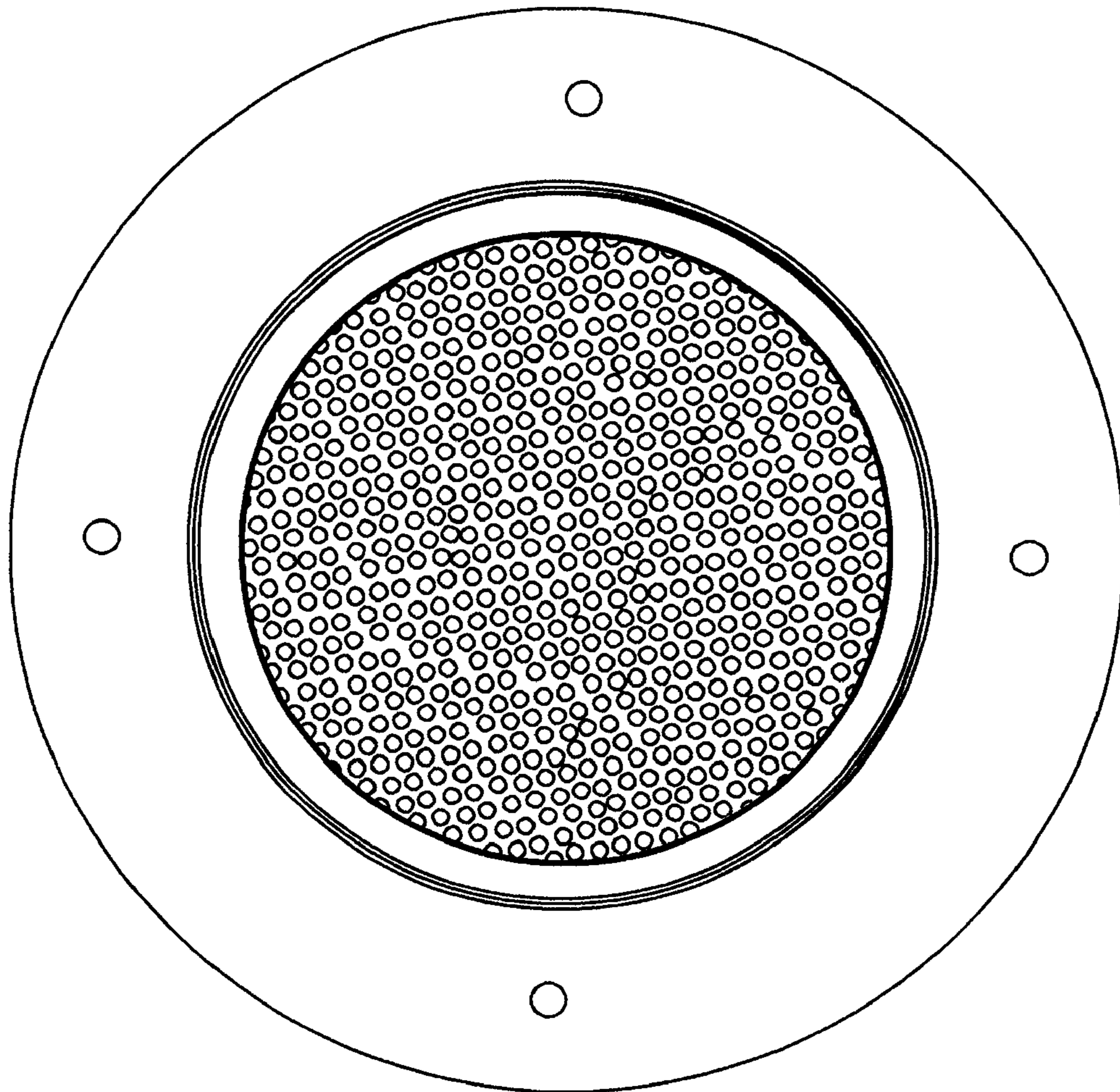


FIG. 4

