



US00D527807S

(12) **United States Design Patent**
Haug et al.

(10) **Patent No.:** **US D527,807 S**

(45) **Date of Patent:** **** Sep. 5, 2006**

(54) **FAUCET SPOUT**

(75) Inventors: **Andreas Haug**, Stuttgart (DE); **Tom Schonherr**, Stuttgart (DE); **Andreas Dimitriadis**, Lorch (DE); **Fabian Kollmann**, Stuttgart (DE); **Johann Duck**, Stuttgart (DE)

(73) Assignee: **Hansgrohe AG** (DE)

(**) Term: **14 Years**

(21) Appl. No.: **29/233,483**

(22) Filed: **Jul. 5, 2005**

(30) **Foreign Application Priority Data**

Jan. 12, 2005 (EM) 000278569-0001

(51) **LOC (8) Cl.** **23-01**

(52) **U.S. Cl.** **D23/255**

(58) **Field of Classification Search** D23/238-257;
4/675-678; 137/801

See application file for complete search history.

(56) **References Cited**

U.S. PATENT DOCUMENTS

D114,556 S * 5/1939 Morgan D23/228
D279,923 S * 7/1985 Niemann et al. D23/255

D316,137 S * 4/1991 Razumov D23/242
D441,847 S * 5/2001 Oliver D23/255
D467,307 S * 12/2002 Sieger D23/242
D479,740 S * 9/2003 Citterio D23/242
D513,635 S * 1/2006 Haug et al. D23/238

* cited by examiner

Primary Examiner—Louis S. Zarfes

Assistant Examiner—Gregory Andoll

(74) *Attorney, Agent, or Firm*—Kwadjo Adusei-Poku;
Lloyd D. Doigan

(57) **CLAIM**

The ornamental design for a faucet spout, as shown and described.

DESCRIPTION

FIG. 1 is a front perspective view of a faucet spout showing our design;

FIG. 2 is a top plan view thereof;

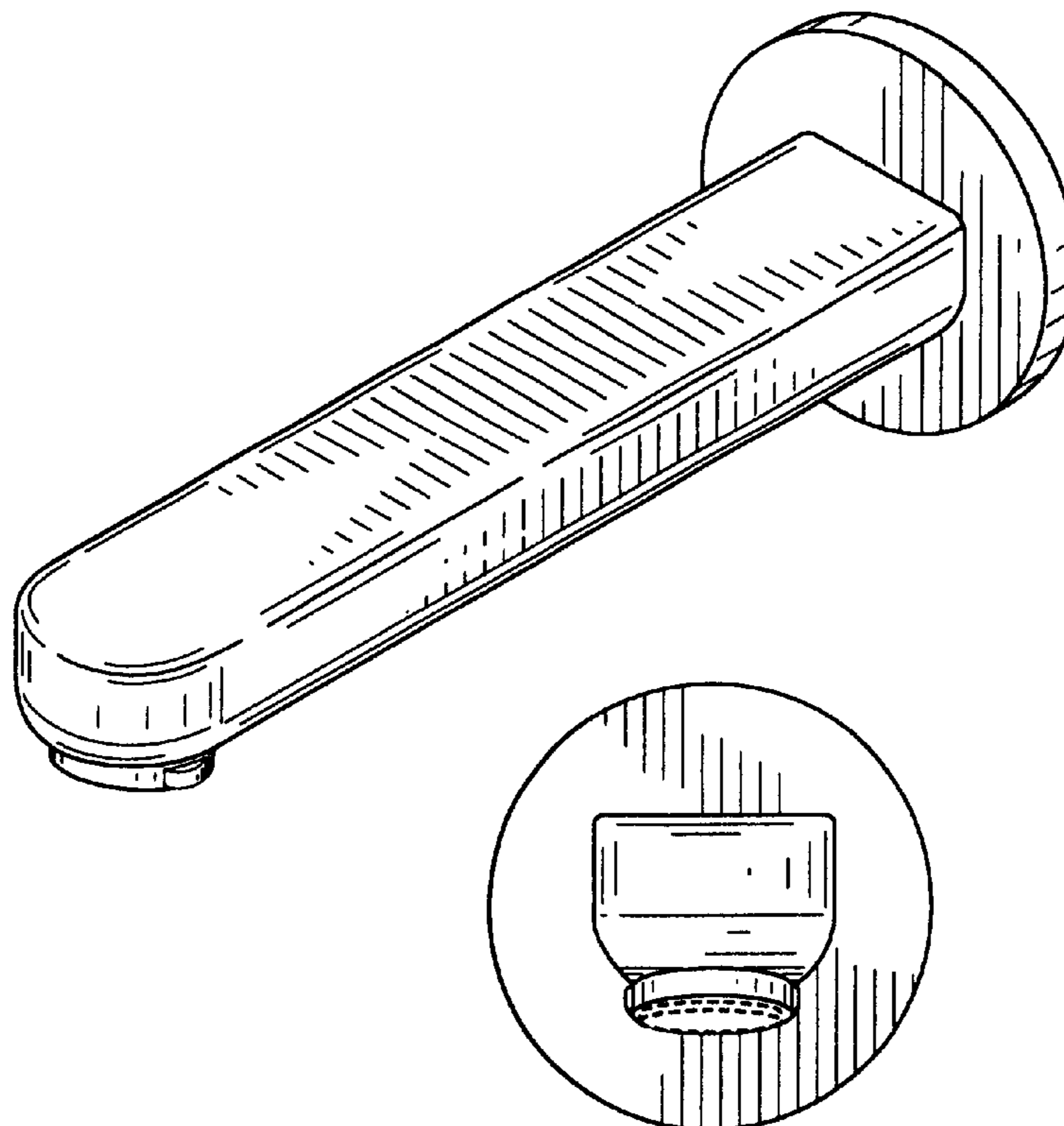
FIG. 3 is a front elevational view thereof;

FIG. 4 is a left side elevational view thereof; the right side elevational view being a mirror image thereof; and,

FIG. 5 is a bottom plan view thereof.

The broken lines in the Figures are for illustrative purposes only and form no part of the claimed design.

1 Claim, 2 Drawing Sheets



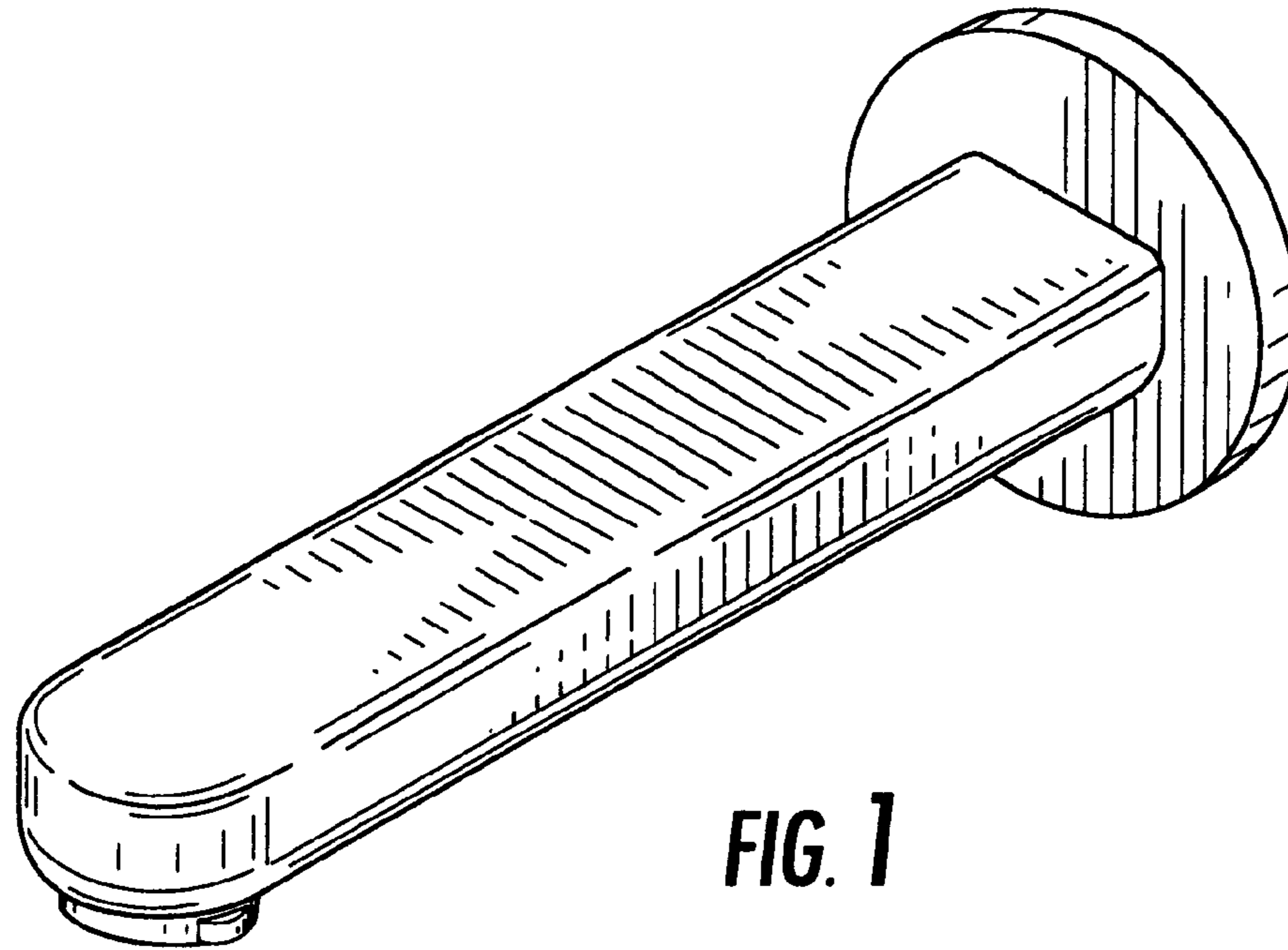


FIG. 1

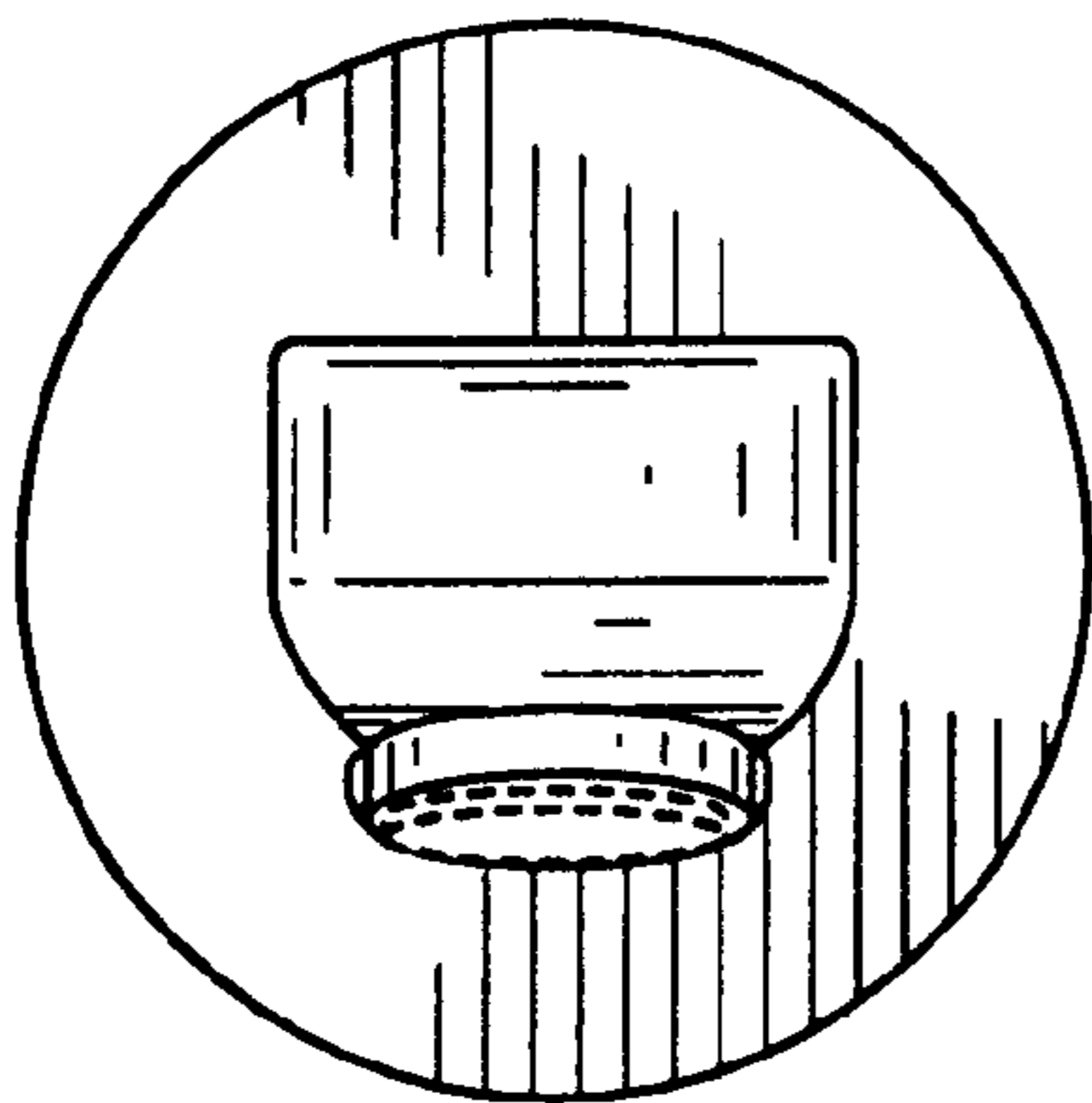


FIG. 2

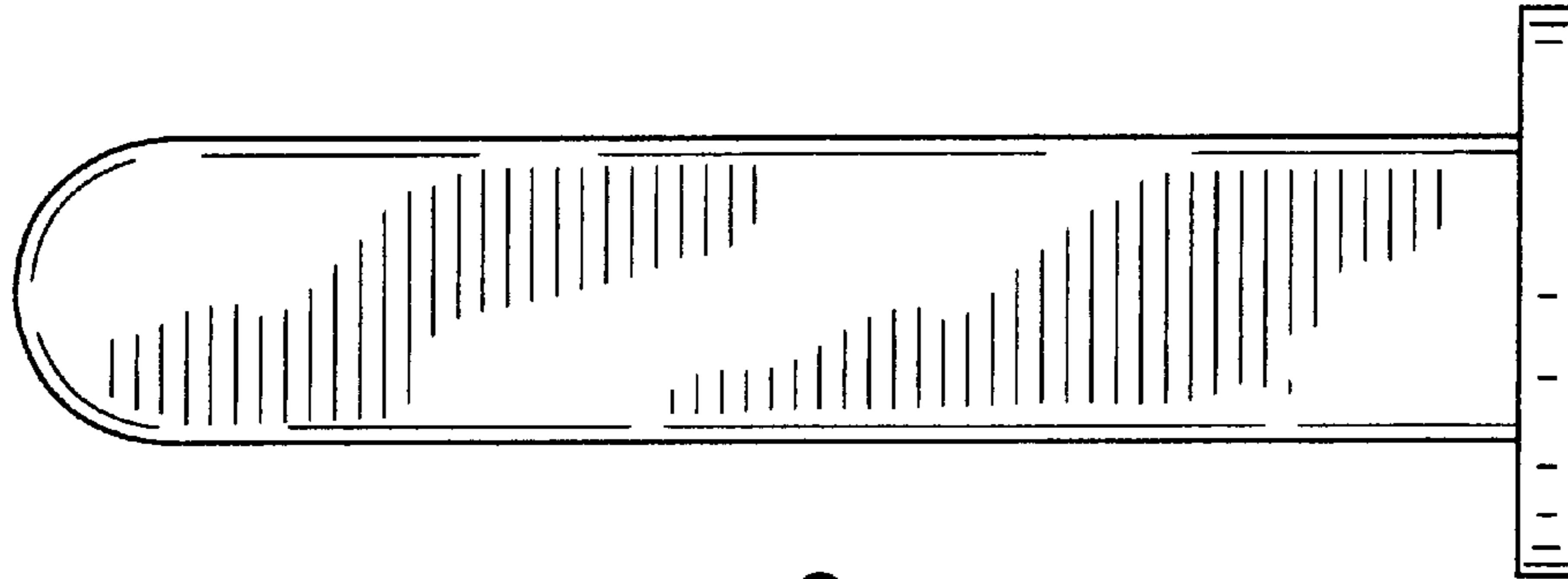


FIG. 3

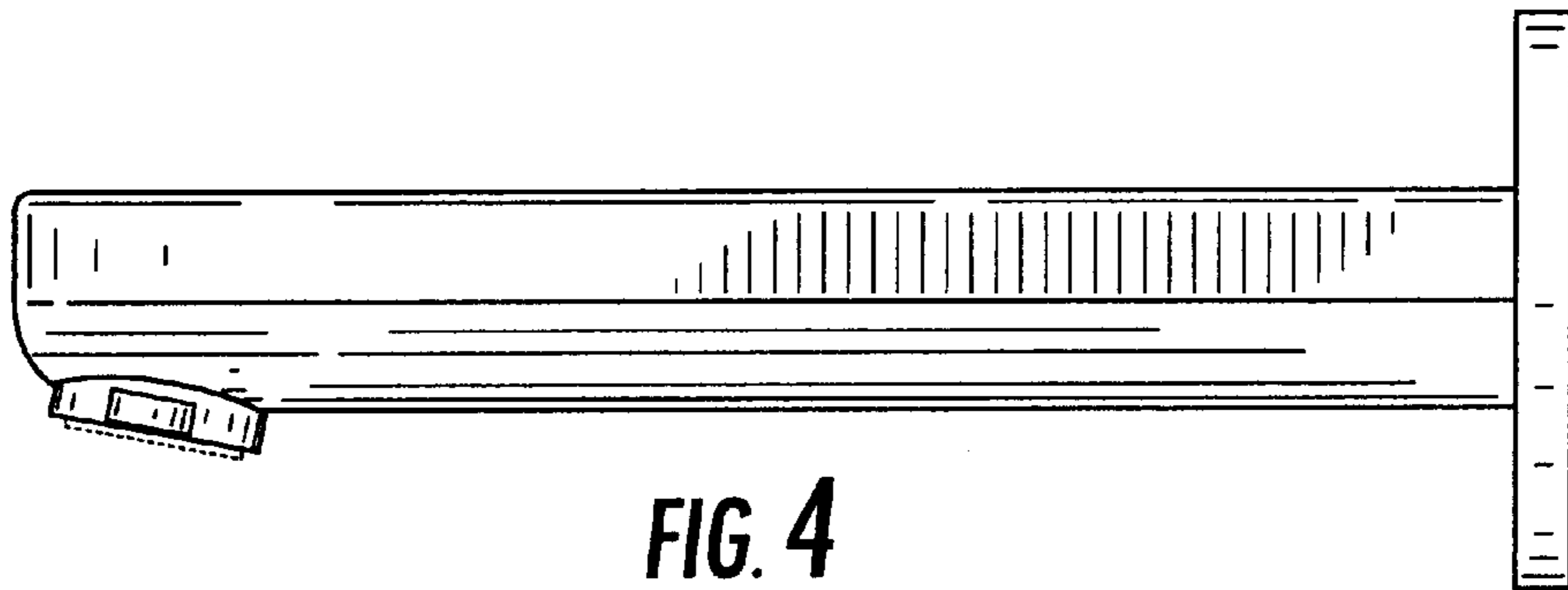


FIG. 4

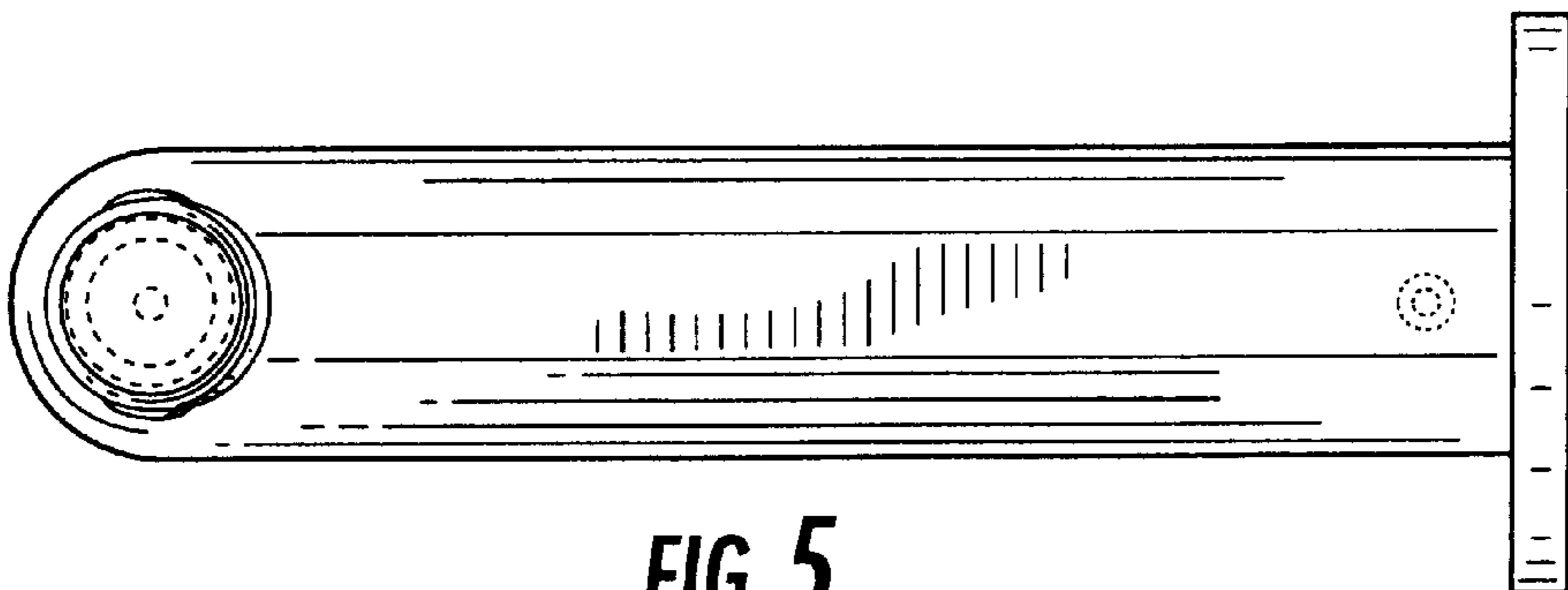


FIG. 5