

US00D527804S

(12) **United States Design Patent**
Chu et al.

(10) **Patent No.:** **US D527,804 S**

(45) **Date of Patent:** **** Sep. 5, 2006**

(54) **FAUCET HANDLE**

D483,093 S * 12/2003 Bates et al. D23/252
D513,063 S * 12/2005 Chu D23/252

(75) Inventors: **Aaron Chu**, Taichung (TW); **Ken Hsui**,
Taichung (TW); **JC Lai**, Taichung
(TW)

* cited by examiner

Primary Examiner—Louis S. Zarfes

Assistant Examiner—Gregory Andoll

(73) Assignee: **Globe Union Industrial Corp.**,
Taichung (TW)

(74) *Attorney, Agent, or Firm*—Leong C. Lei

(**) Term: **14 Years**

(57) **CLAIM**

The ornamental design for a faucet handle, as shown and
described.

(21) Appl. No.: **29/235,112**

(22) Filed: **Jul. 28, 2005**

DESCRIPTION

(51) **LOC (8) Cl.** **23-01**

(52) **U.S. Cl.** **D23/252**

(58) **Field of Classification Search** D23/238–257;
D8/250–257, 300–322, DIG. 3; 16/110.1;
4/675–678; 137/801

See application file for complete search history.

FIG. 1 is a perspective view of a faucet handle showing our
new design;

FIG. 2 is a front elevational view thereof;

FIG. 3 is a rear elevational view thereof;

FIG. 4 is a left side elevational view thereof;

FIG. 5 is a right side elevational view thereof;

FIG. 6 is a top plan view thereof;

FIG. 7 is a bottom plan view thereof; and,

FIG. 8 is a perspective view, showing the faucet handle
engaged with a faucet assembly.

The dotted line portions are for illustrative purposes only
and form no part of the claimed design.

(56) **References Cited**

U.S. PATENT DOCUMENTS

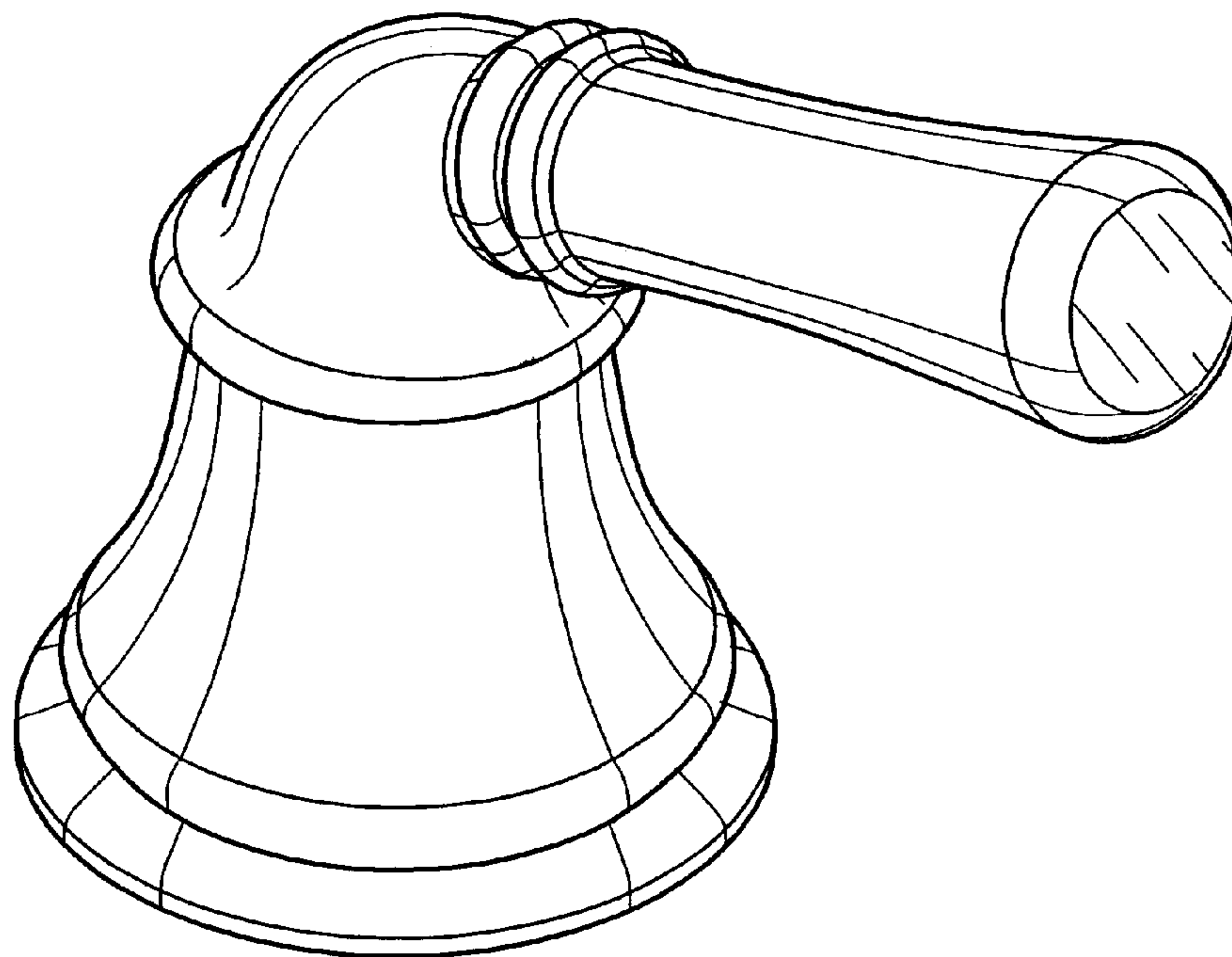
D420,105 S * 2/2000 Ko D23/252

D430,924 S * 9/2000 Wei et al. D23/252

D458,346 S * 6/2002 Mullenmeister D23/252

D482,757 S * 11/2003 Blomstrom D23/252

1 Claim, 5 Drawing Sheets



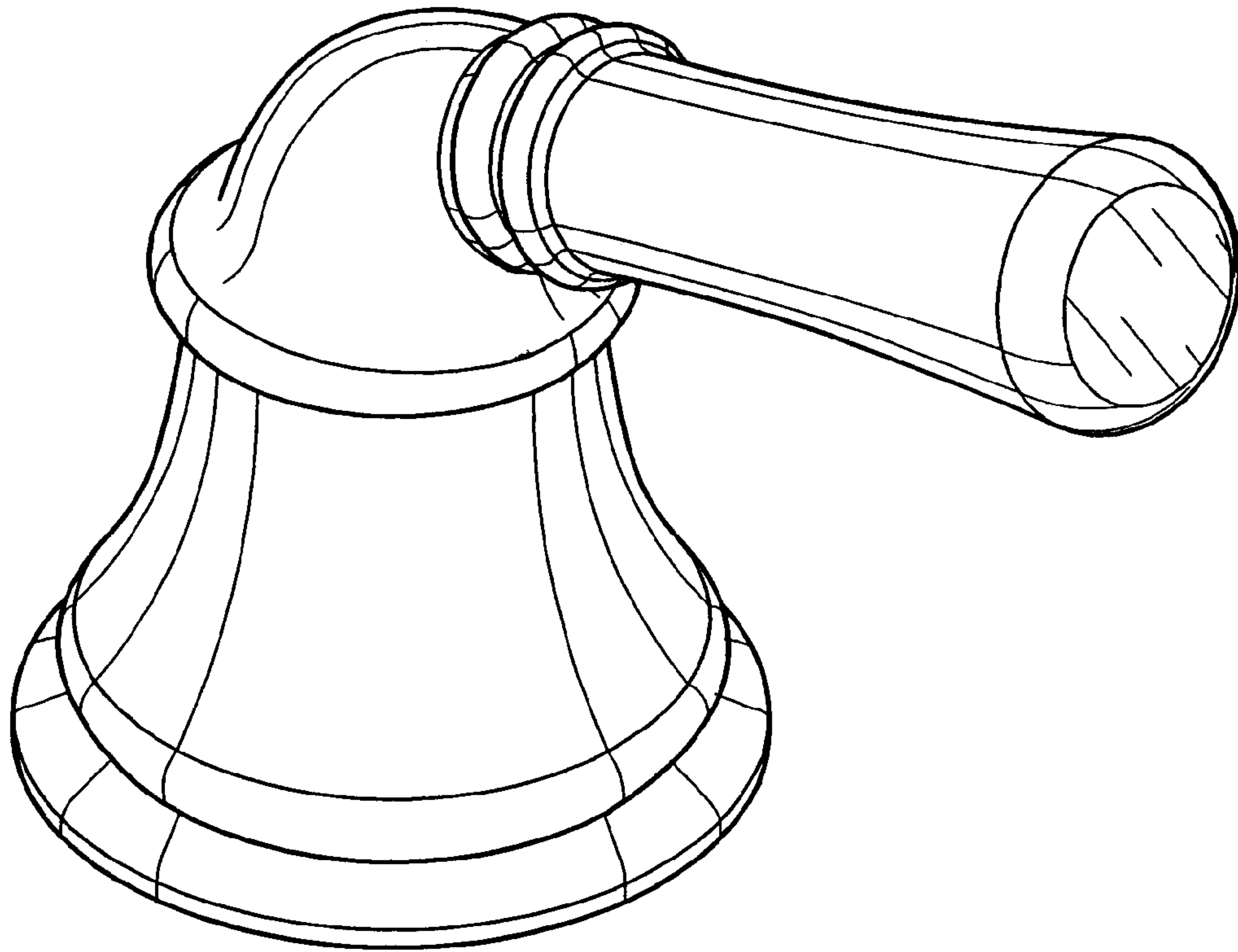


FIG. 1

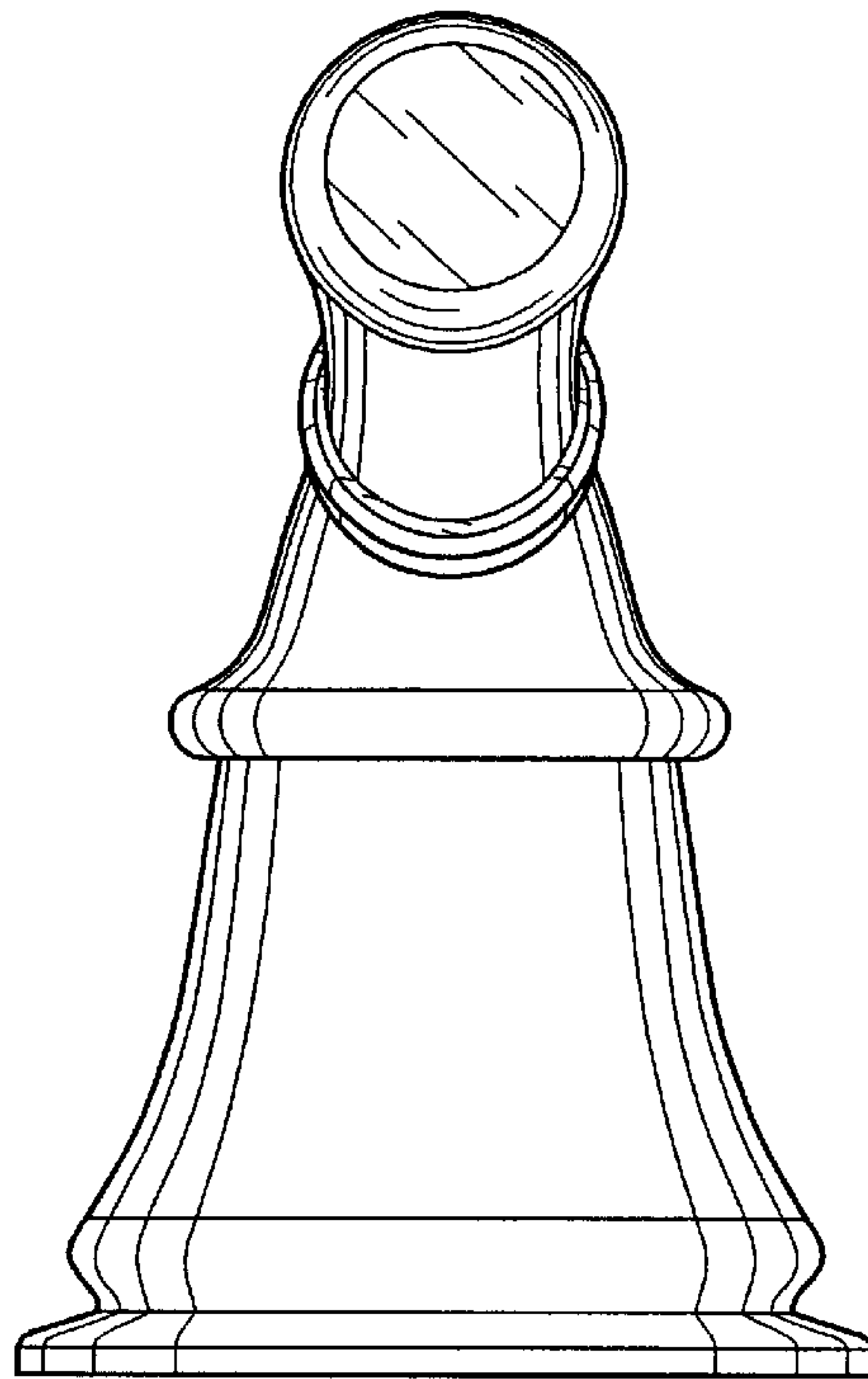


FIG. 2

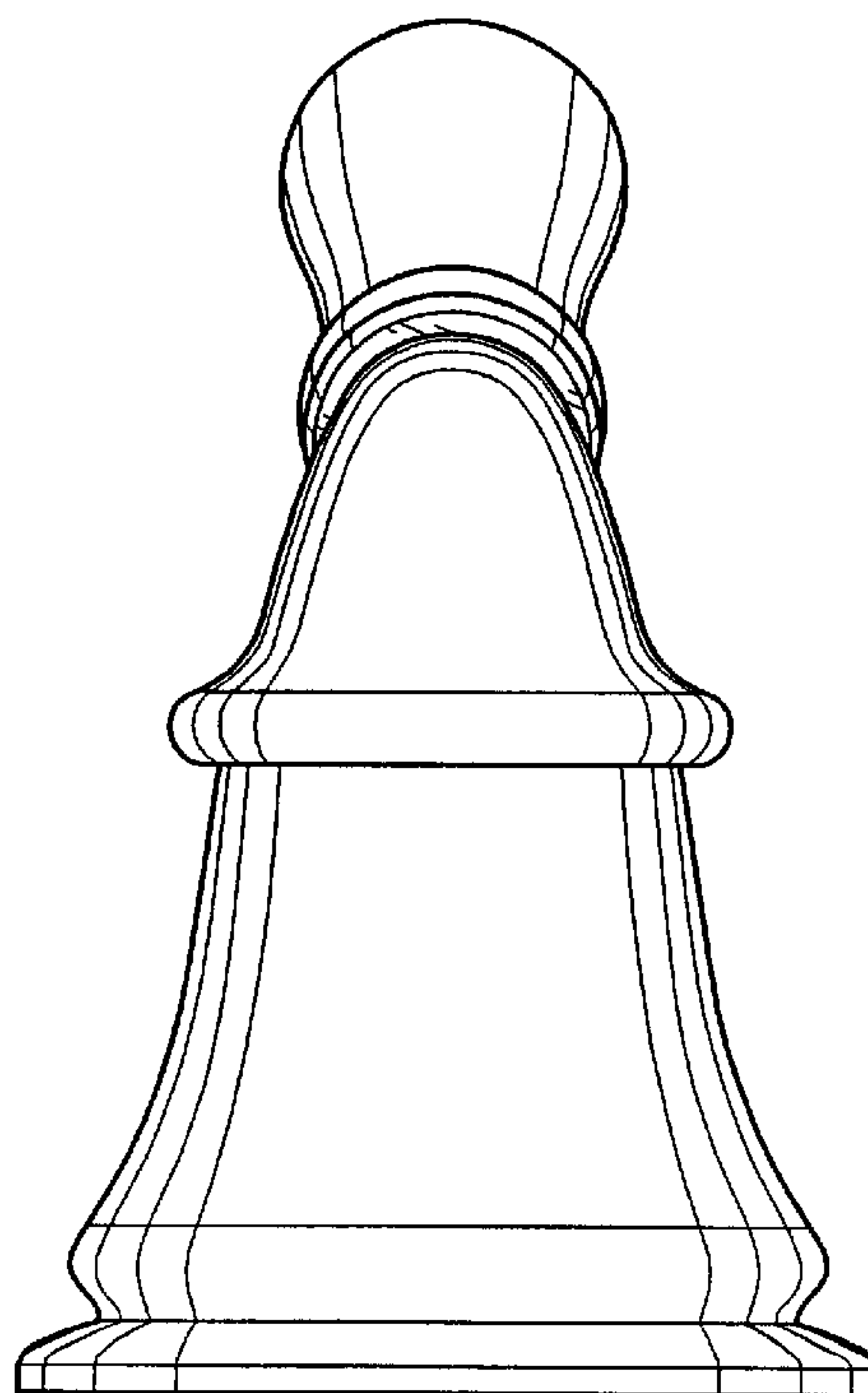


FIG. 3

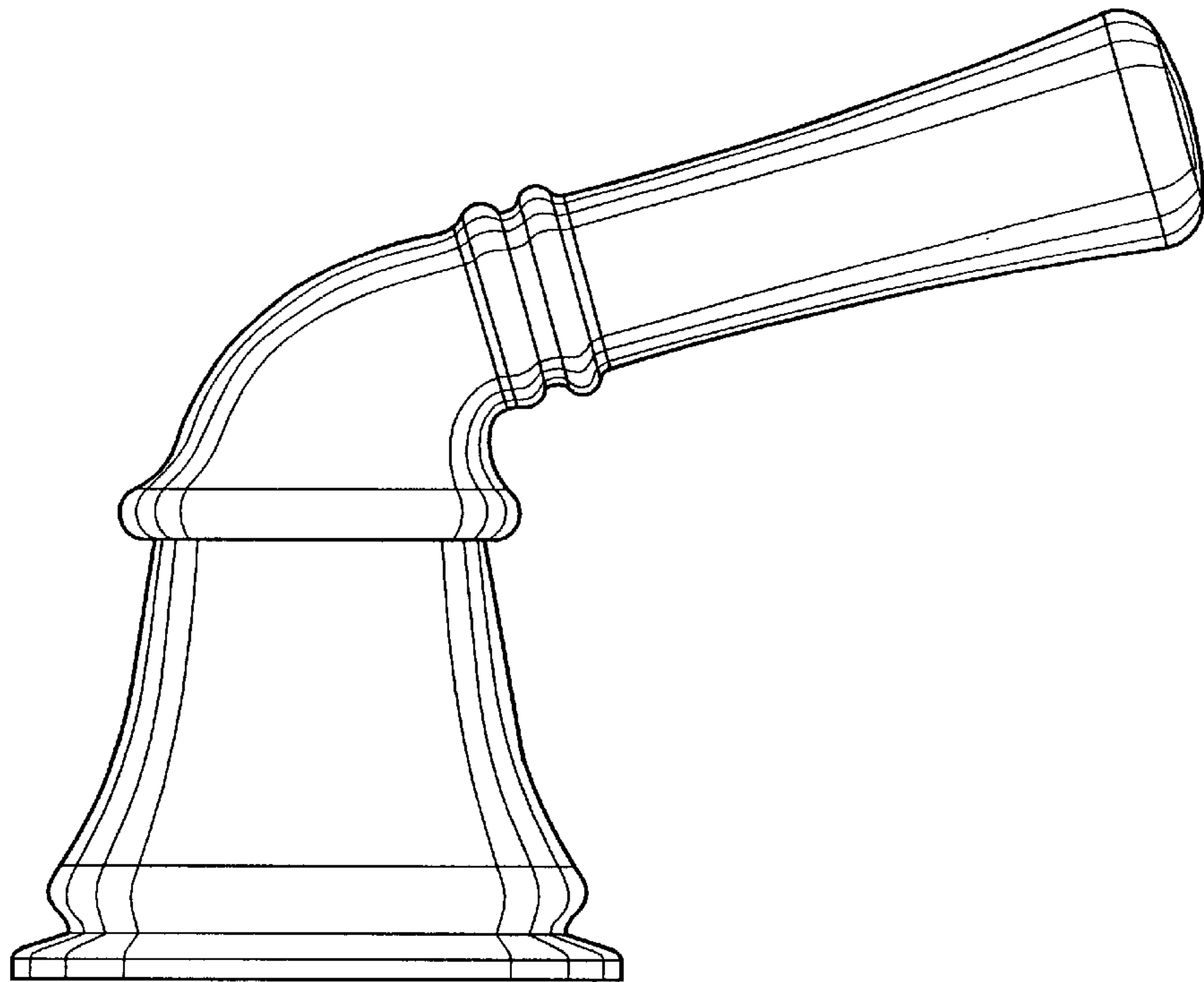


FIG. 4

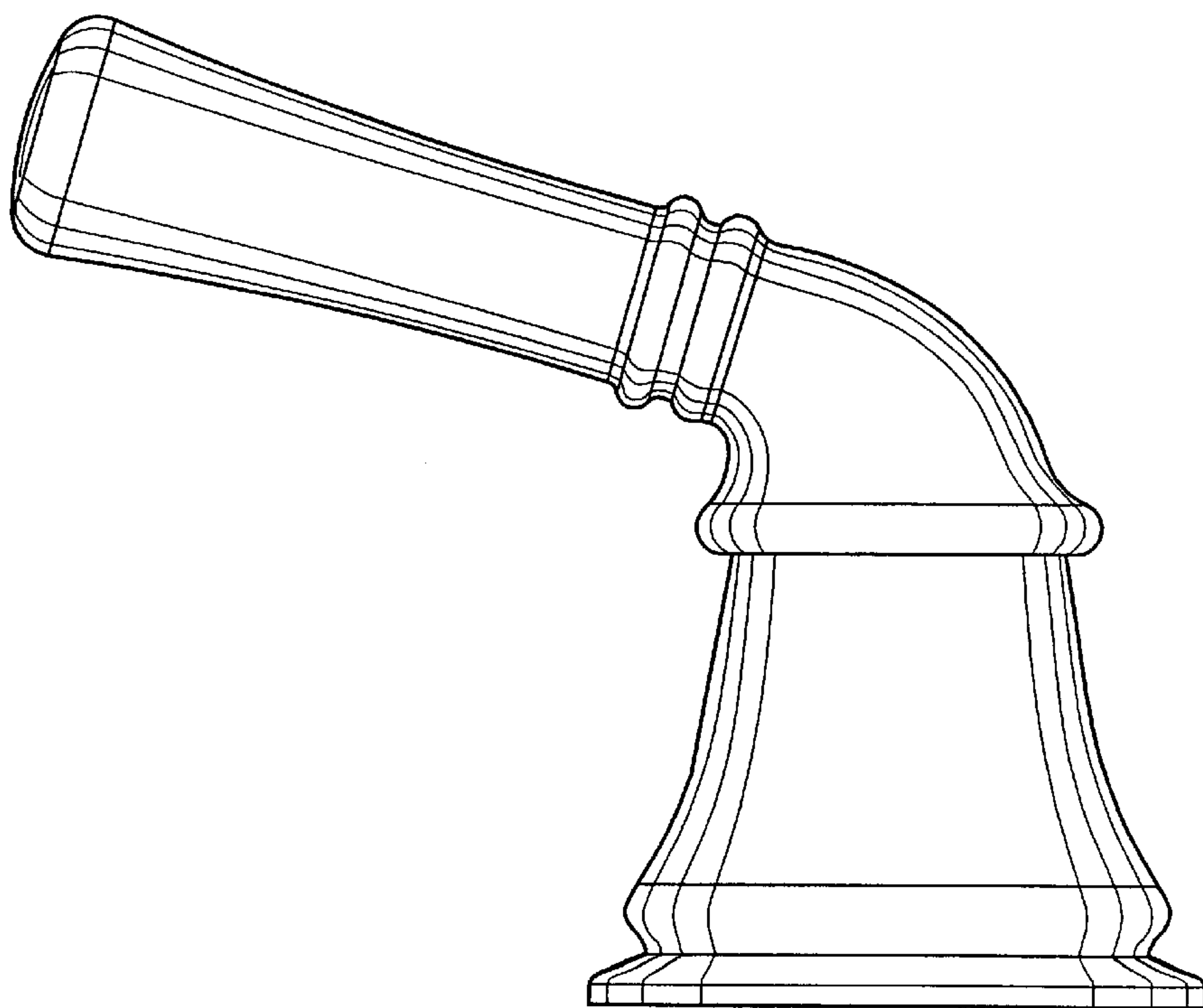


FIG. 5

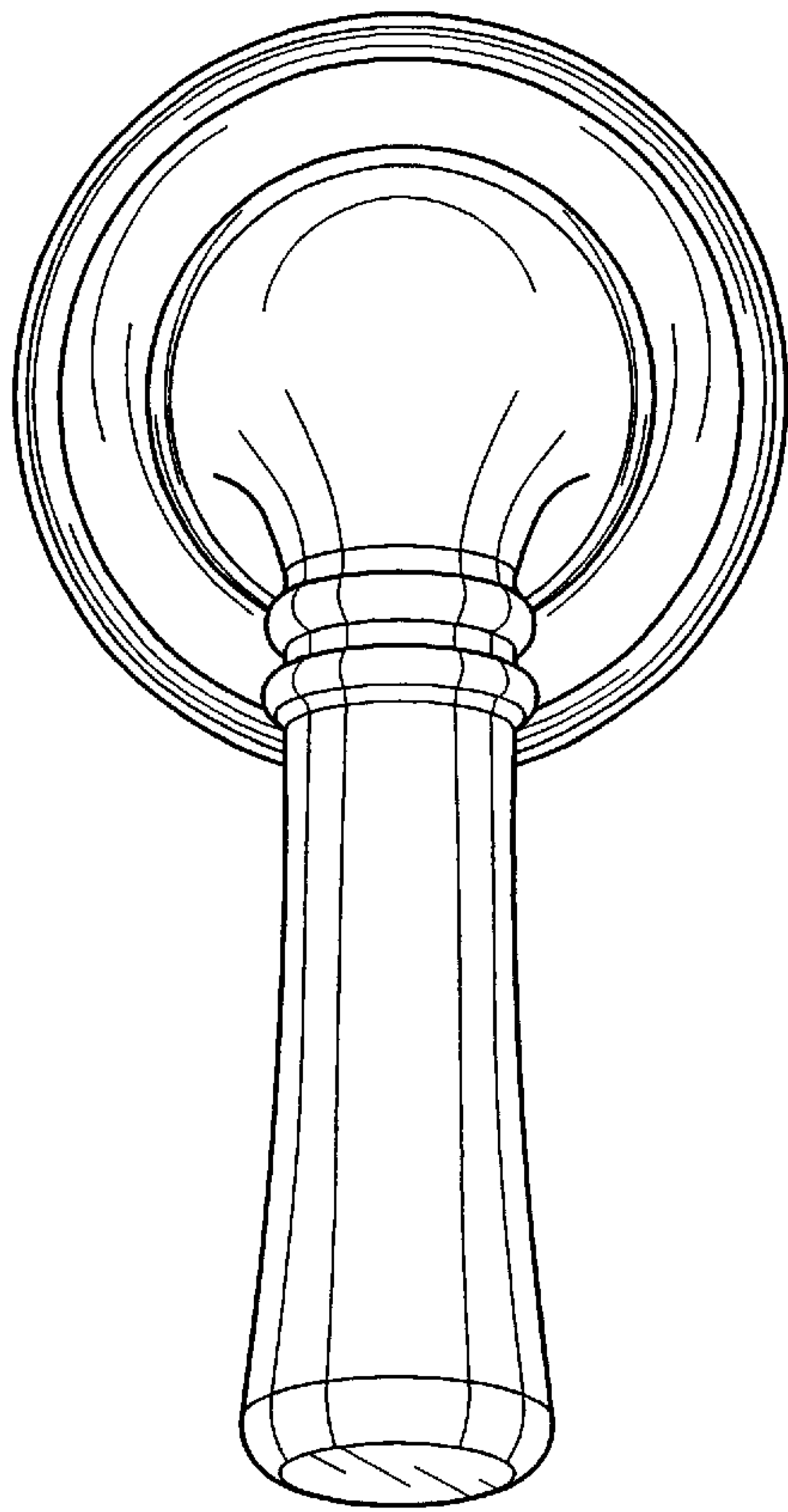


FIG. 6

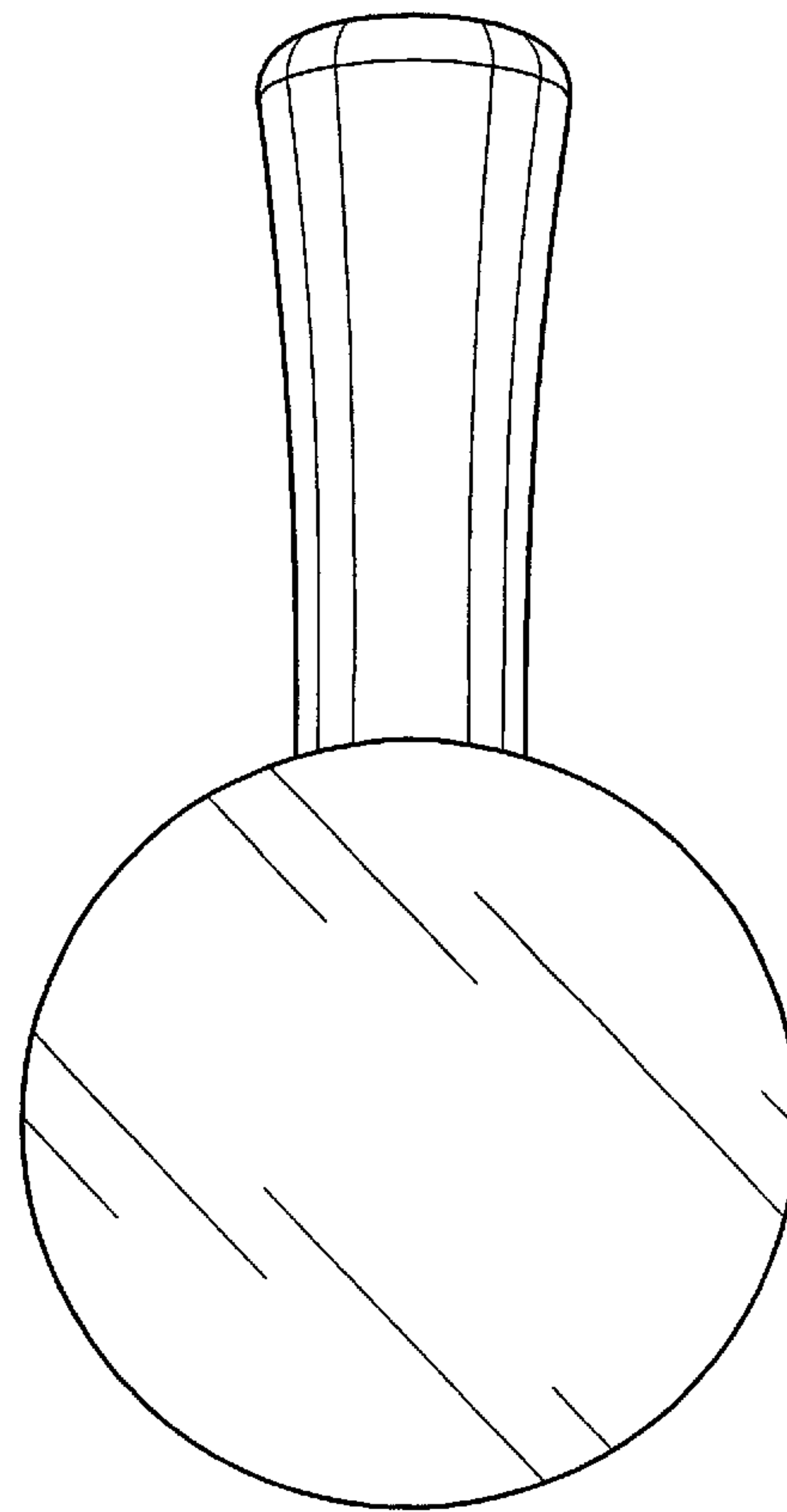


FIG. 7

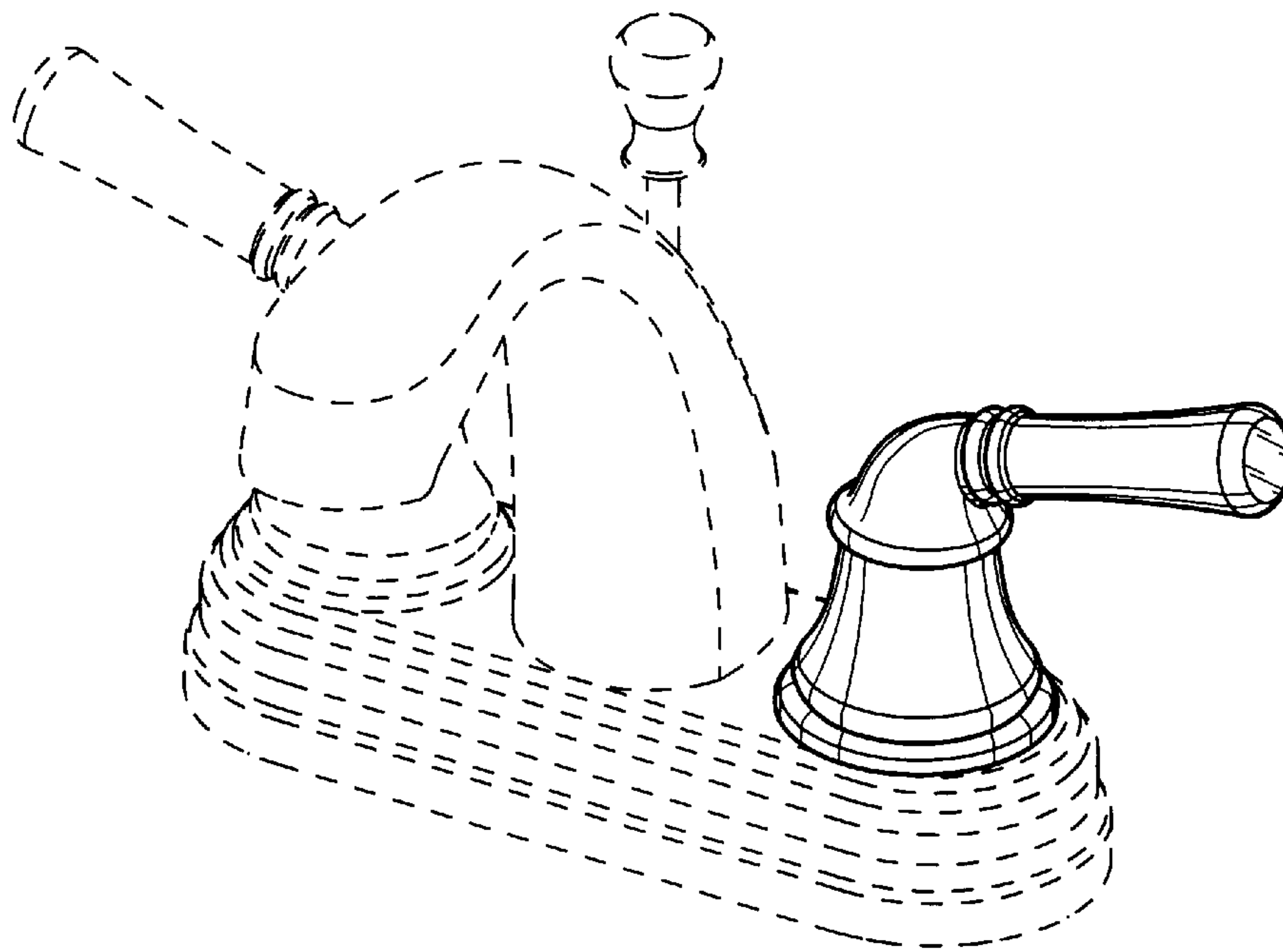


FIG. 8