



US00D527803S

(12) **United States Design Patent**
Chu et al.

(10) **Patent No.:** **US D527,803 S**

(45) **Date of Patent:** **** Sep. 5, 2006**

(54) **FAUCET HANDLE**

D512,768 S * 12/2005 Ouyoung D23/252
D516,184 S * 2/2006 Yong-Jun et al. D23/252

(75) Inventors: **Aaron Chu**, Taichung (TW); **Ken Hsui**,
Taichung (TW); **J C Lai**, Taichung
(TW)

* cited by examiner

Primary Examiner—Louis S. Zarfes

Assistant Examiner—Gregory Andoll

(73) Assignee: **Globe Union Industrial Corp.**,
Taichung (TW)

(74) *Attorney, Agent, or Firm*—Leong C. Lei

(**) Term: **14 Years**

(57) **CLAIM**

The ornamental design for a faucet handle, as shown and described.

(21) Appl. No.: **29/235,111**

(22) Filed: **Jul. 28, 2005**

DESCRIPTION

(51) **LOC (8) Cl.** **23-01**

(52) **U.S. Cl.** **D23/252**

(58) **Field of Classification Search** D23/238–257;
D8/250–257, 300–322, DIG. 3; 16/110.1;
4/675–678; 137/801

See application file for complete search history.

FIG. 1 is a perspective view of a faucet handle showing our new design;

FIG. 2 is a front elevational view thereof;

FIG. 3 is a rear elevational view thereof;

FIG. 4 is a left side elevational view thereof;

FIG. 5 is a right side elevational view thereof;

FIG. 6 is a top plan view thereof;

FIG. 7 is a bottom plan view thereof;

FIG. 8 is a perspective view, showing a faucet handle engaged with a faucet assembly; and,

FIG. 9 is a perspective view, showing the faucet handle engaged with a faucet assembly.

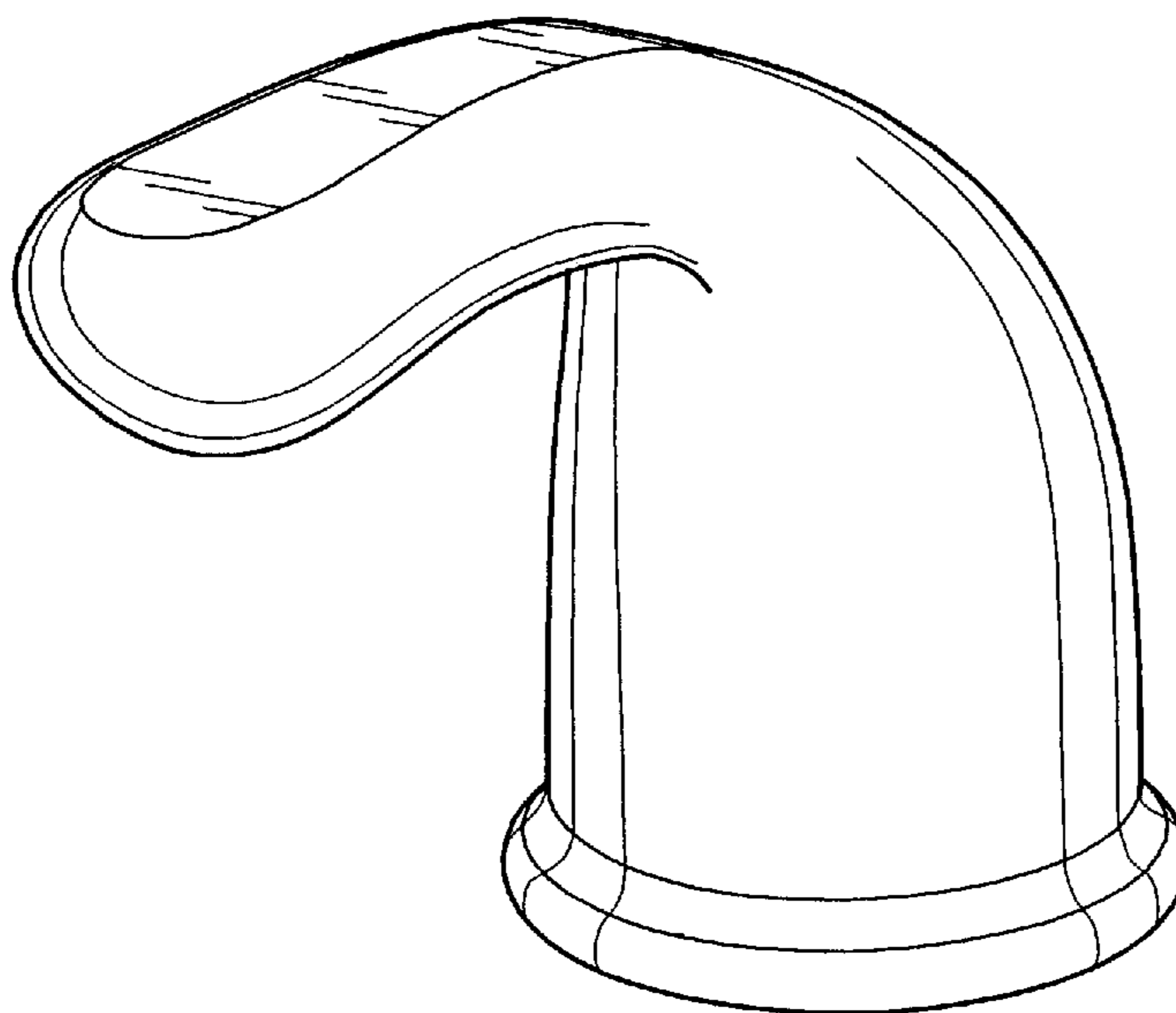
The dotted line portions are for illustrative purposes only and form no part of the claimed design.

(56) **References Cited**

U.S. PATENT DOCUMENTS

D398,039 S	*	9/1998	Ku	D23/252
D427,665 S	*	7/2000	Fabian et al.	D23/252
D476,398 S	*	6/2003	Ouyoung	D23/252
D485,332 S	*	1/2004	Blomstrom	D23/252
D490,878 S	*	6/2004	Hunt	D23/252
D505,483 S	*	5/2005	Bayer	D23/252

1 Claim, 6 Drawing Sheets



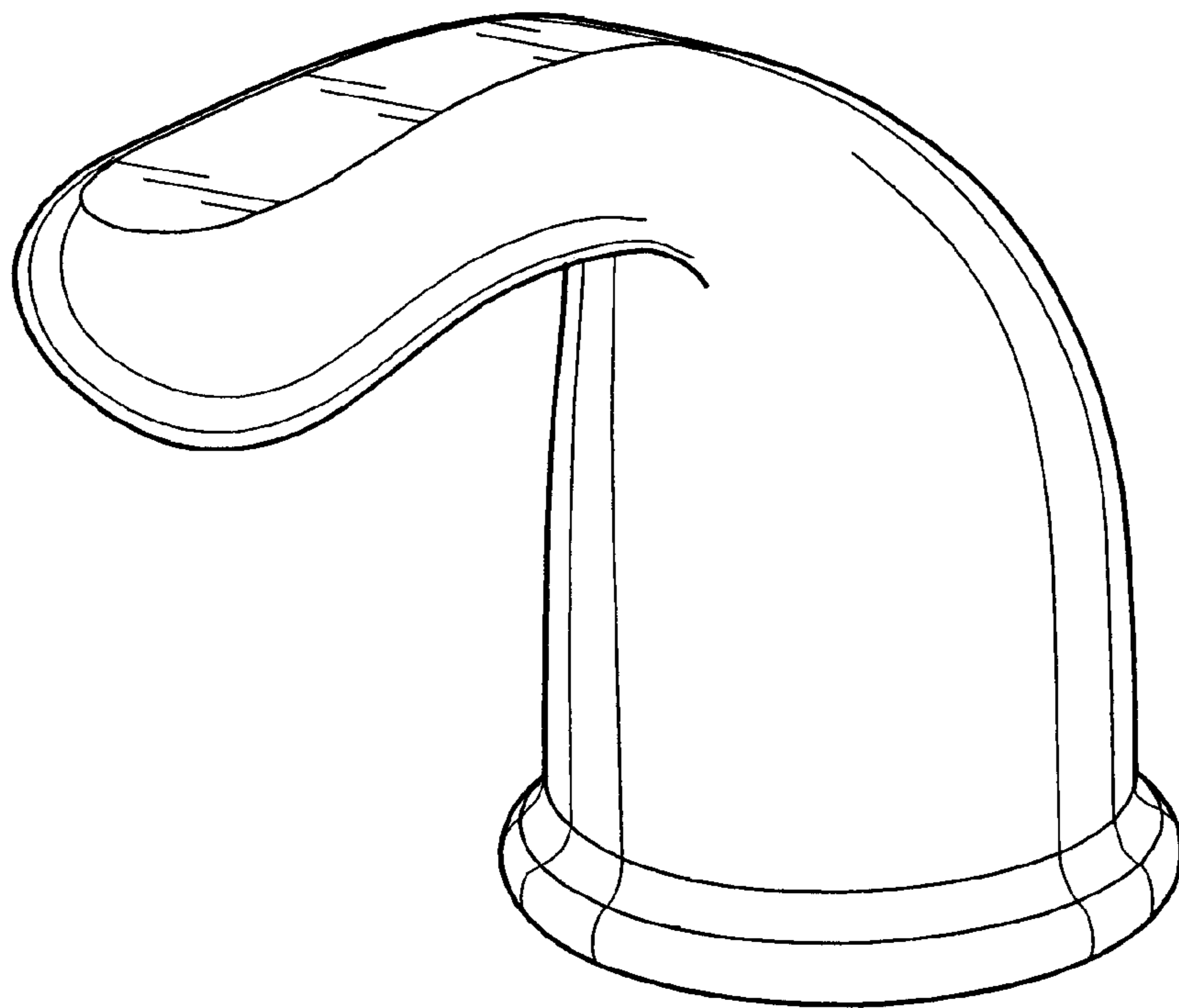


FIG. 1

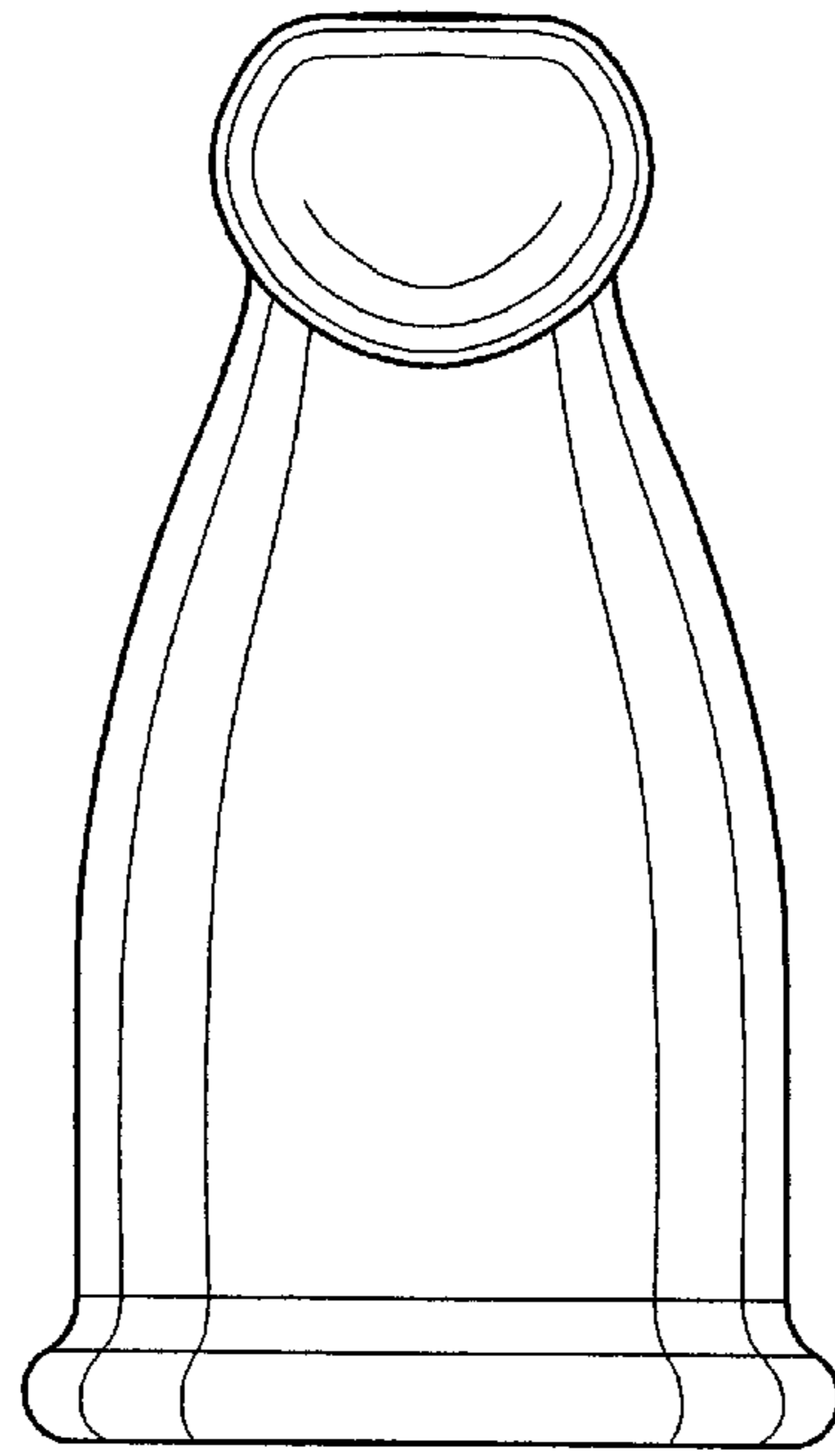


FIG. 2

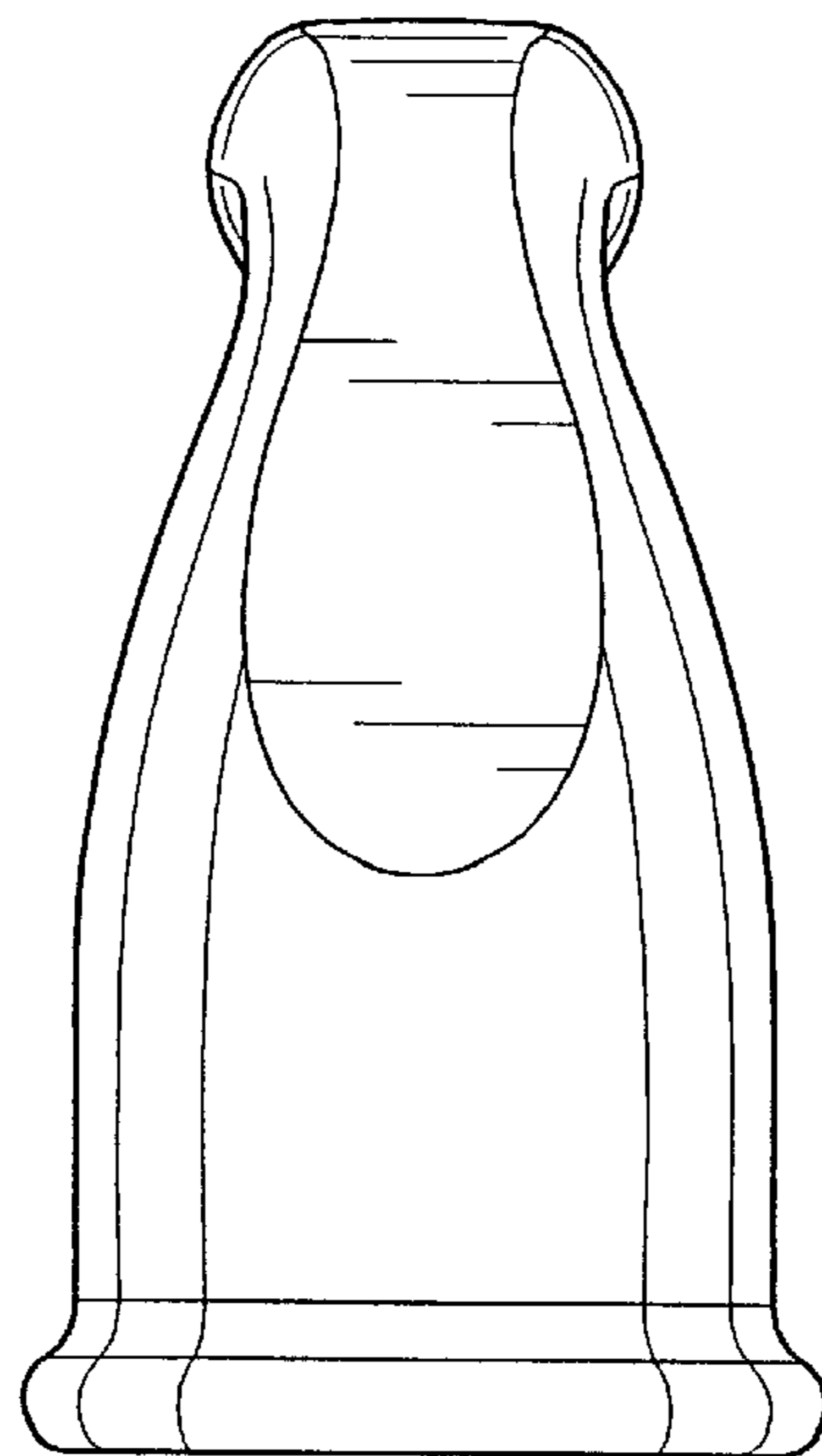


FIG. 3

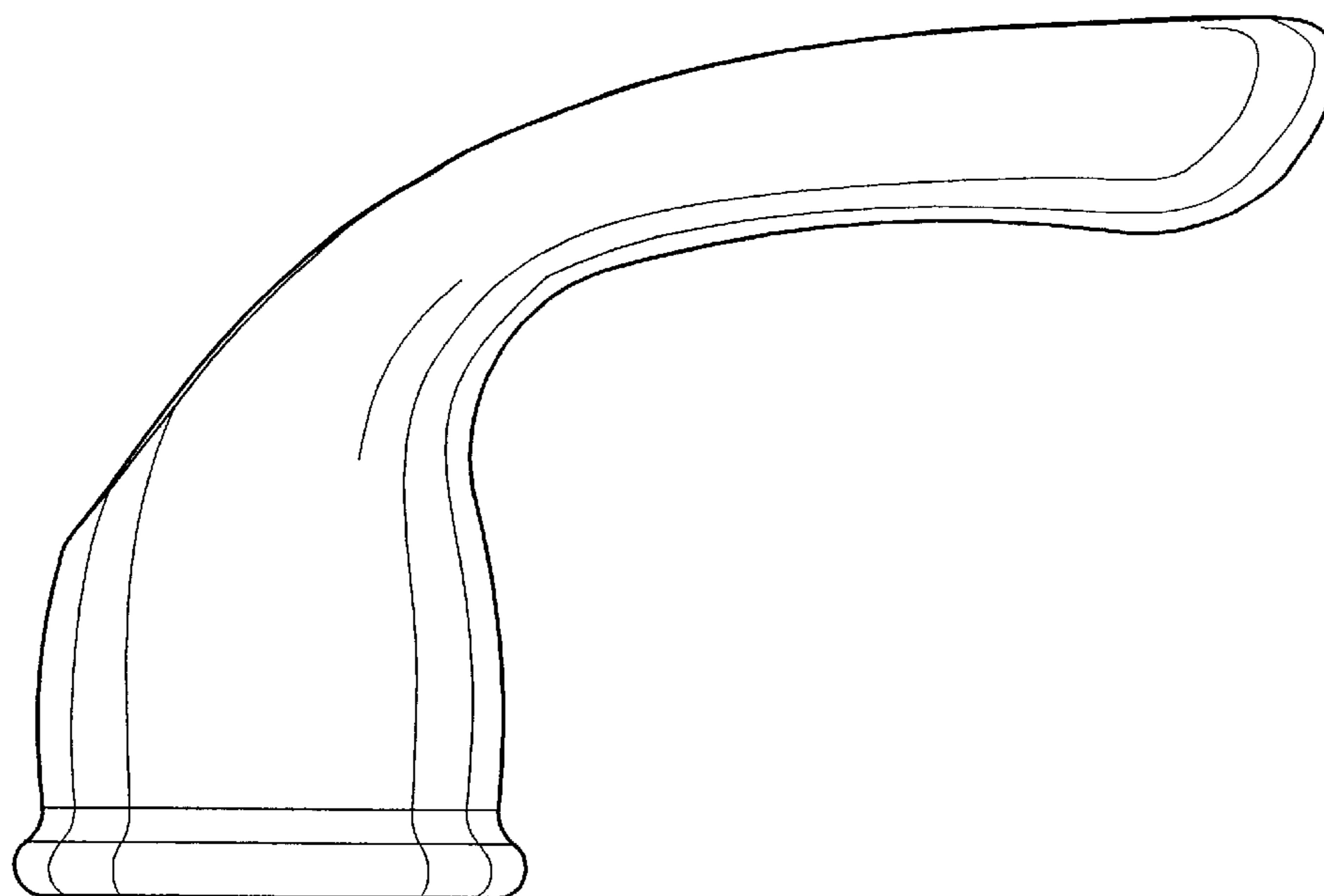


FIG. 4

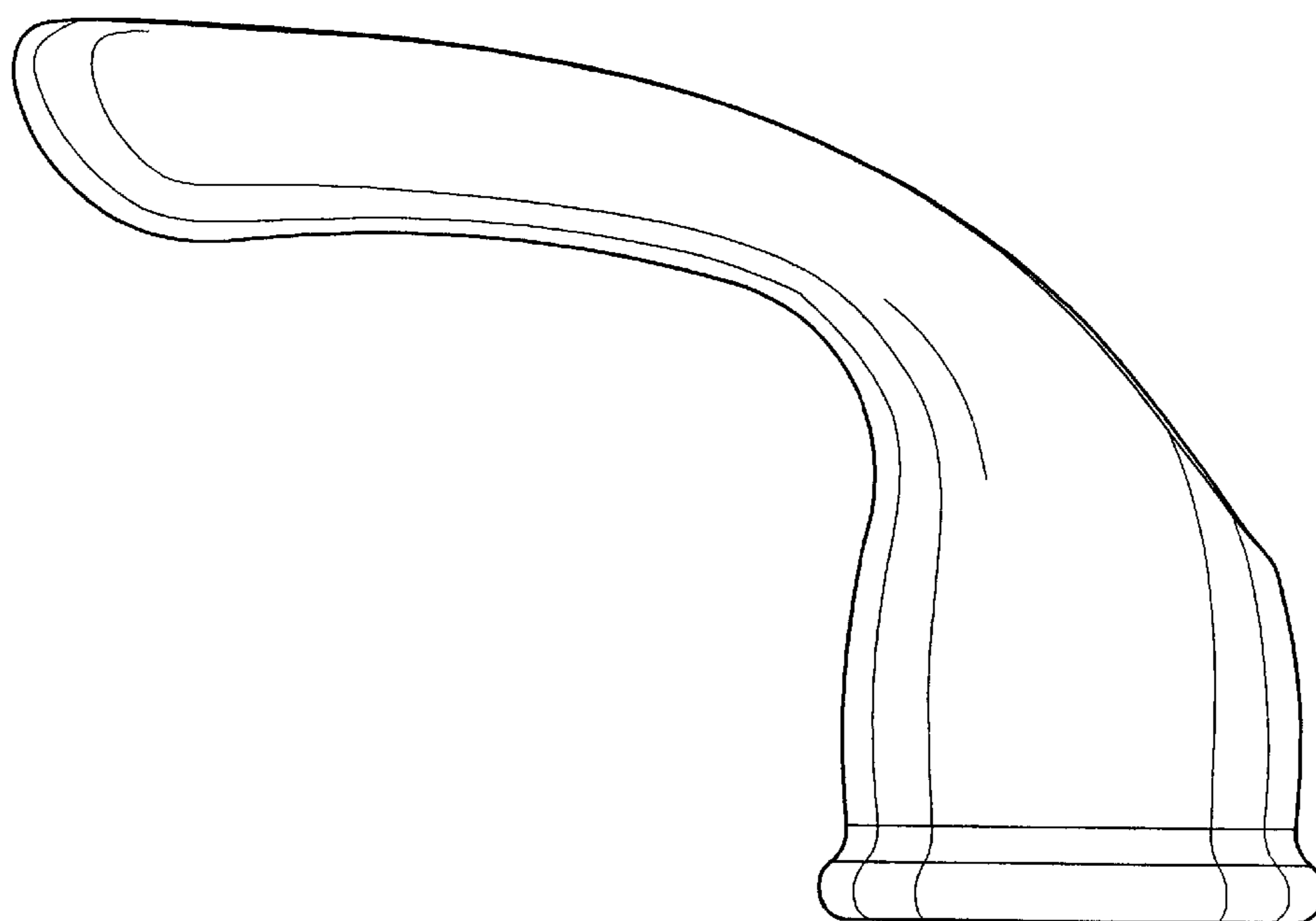


FIG. 5

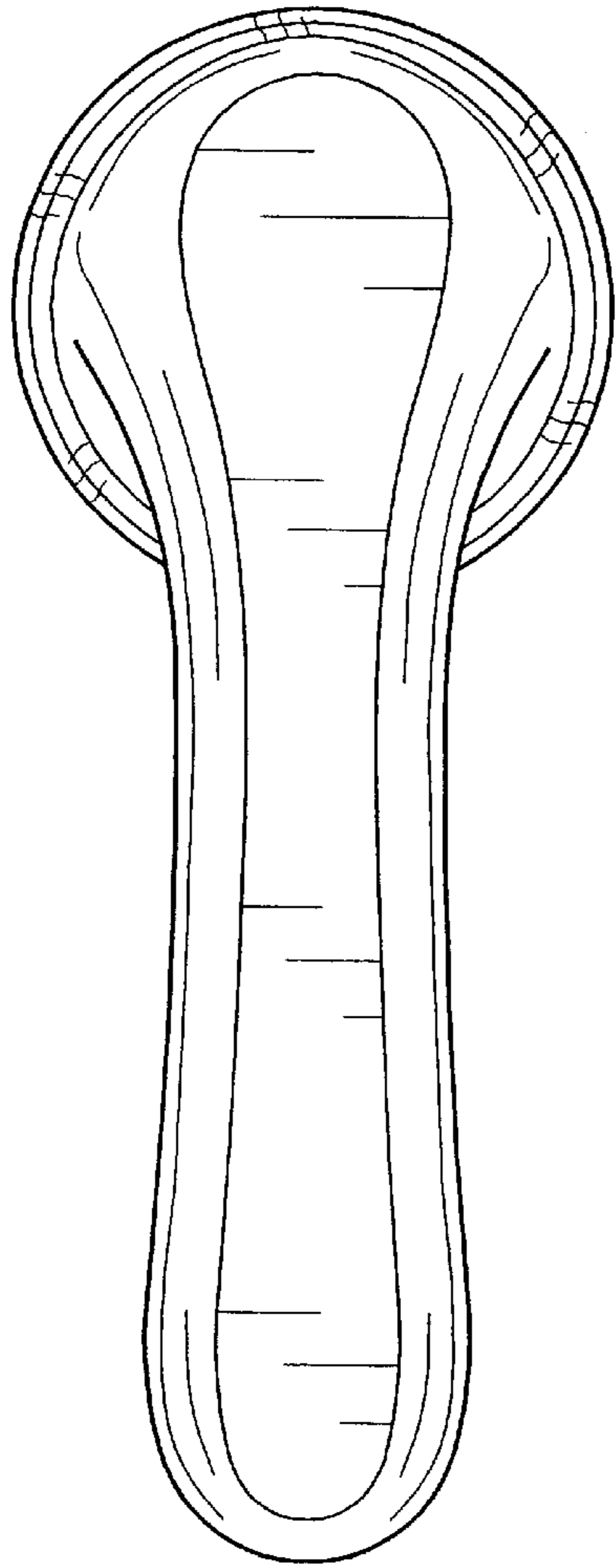


FIG. 6

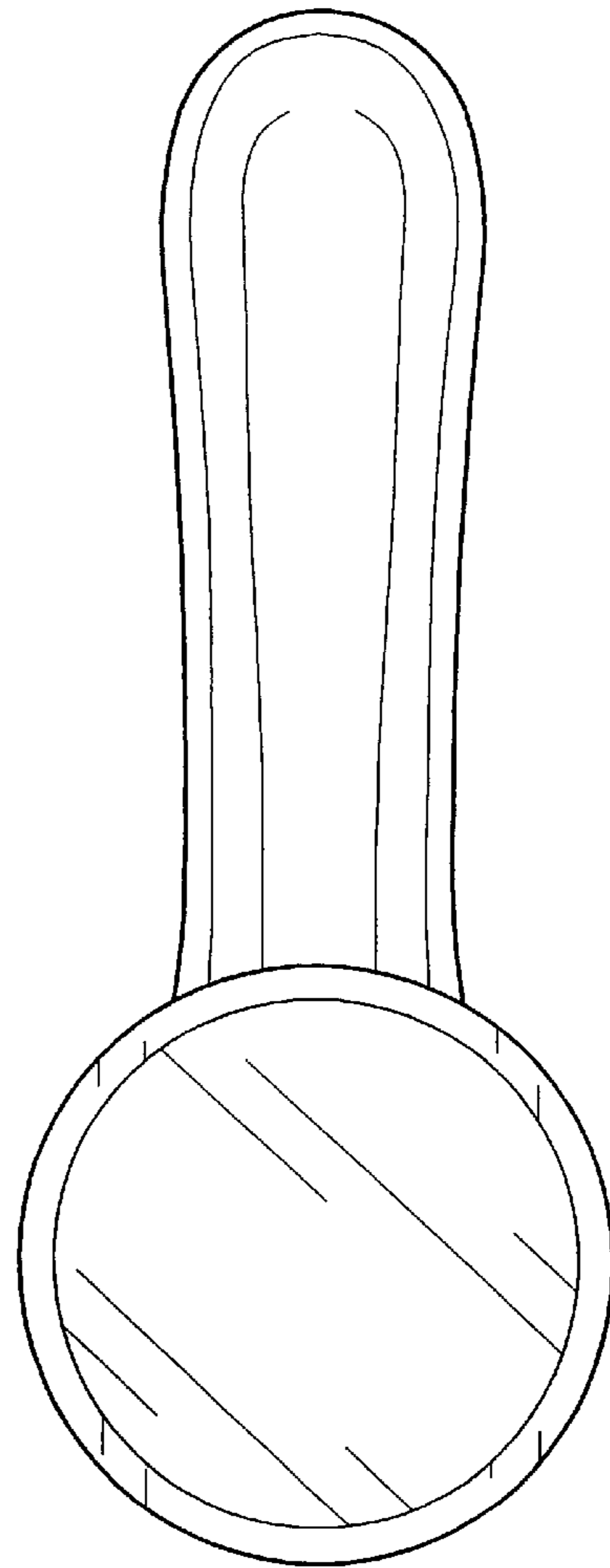


FIG. 7

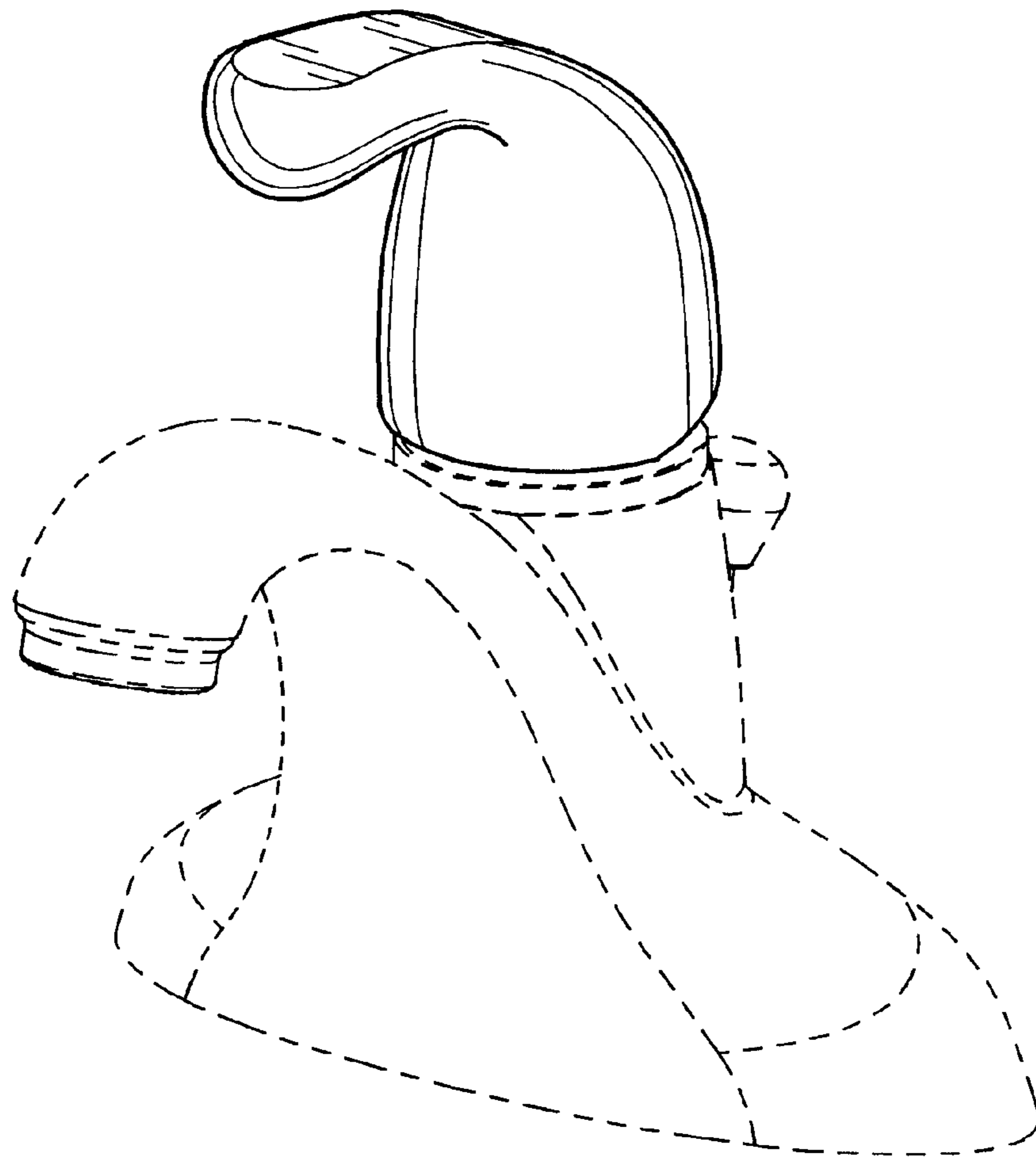


FIG. 8

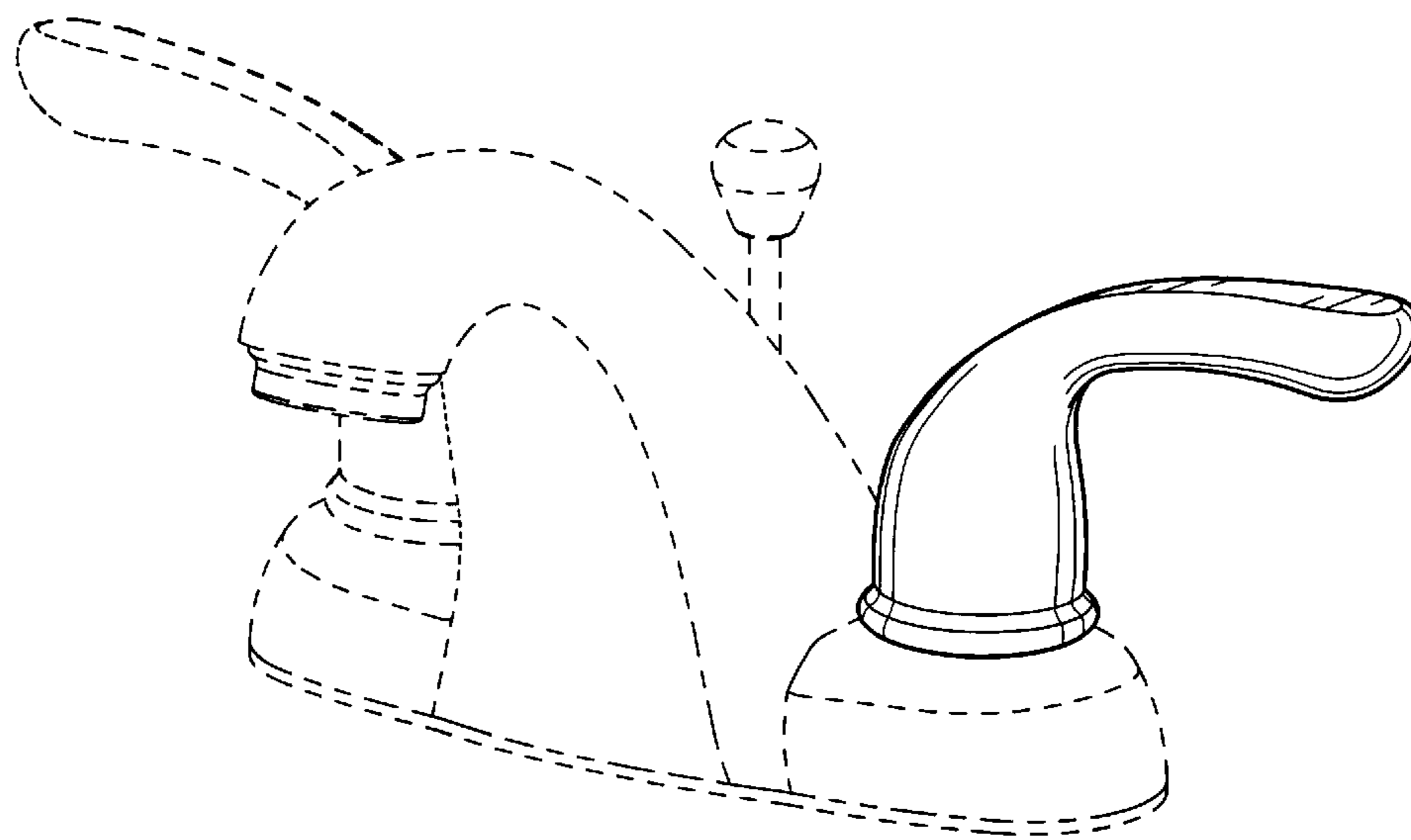


FIG. 9