

US00D527797S

(12) **United States Design Patent**
Hickman

(10) **Patent No.:** **US D527,797 S**

(45) **Date of Patent:** **** Sep. 5, 2006**

(54) **SILLOCK AND HANDLE**

(76) **Inventor:** **David F. Hickman**, 1900 S. Coats Rd.,
Oxford, MI (US) 48371

(**) **Term:** **14 Years**

(21) **Appl. No.:** **29/220,073**

(22) **Filed:** **Dec. 23, 2004**

(51) **LOC (8) Cl.** **23-01**

(52) **U.S. Cl.** **D23/245**

(58) **Field of Classification Search** D23/233–239,
D23/244–250, 254, 421, 262–263, 226, 251;
D24/113, 129; D10/40; D8/312, 300; D7/398,
D7/313; 4/324–325; 137/49, 115.11, 169,
137/798, 802, 378, 383, 375, 385; 251/81,
251/82, 84, 118, 149, 149.5, 129.6, 152, 208,
251/305, 307, 308, 340, 322, 320, 369, 332,
251/309, 310, 314, 315, 335.3, 315.01, 315.1,
251/286, 288, 904

See application file for complete search history.

(56) **References Cited**

U.S. PATENT DOCUMENTS

973,819	A	*	10/1910	Schmaal et al.	251/310
1,202,044	A	*	10/1916	Fisher	137/583
3,971,401	A	*	7/1976	Persson	137/360
5,740,831	A	*	4/1998	DeNardo et al.	137/218
D439,311	S	*	3/2001	Martin	D23/233
D503,216	S	*	3/2005	Berkman et al.	D23/250
D514,663	S	*	2/2006	French	D23/233

* cited by examiner

Primary Examiner—Ian Simmons

Assistant Examiner—Maurice Stevens

(74) *Attorney, Agent, or Firm*—Stevens, Davis, Miller &
Mosher, LLP

(57) **CLAIM**

The invention claimed is the ornamental design for a sillock and handle, as shown and described.

DESCRIPTION

FIG. 1 is a front perspective view of a sillock and handle of the new design;

FIG. 2 is a rear perspective view of a sillock and handle of the new design;

FIG. 3 is a front elevational view of a sillock and handle of the new design;

FIG. 4 is a side elevational view of a sillock and handle of the new design;

FIG. 5 is a top plan view of a sillock and handle of the new design;

FIG. 6 is a side elevational view, opposite that of FIG. 4, of a sillock and handle of the new design;

FIG. 7 is a bottom plan view of a sillock and handle of the new design;

FIG. 8 is a rear elevational view thereof;

FIG. 9 is a front perspective view of a handle removed from a sillock of the new design;

FIG. 10 is a rear perspective view thereof;

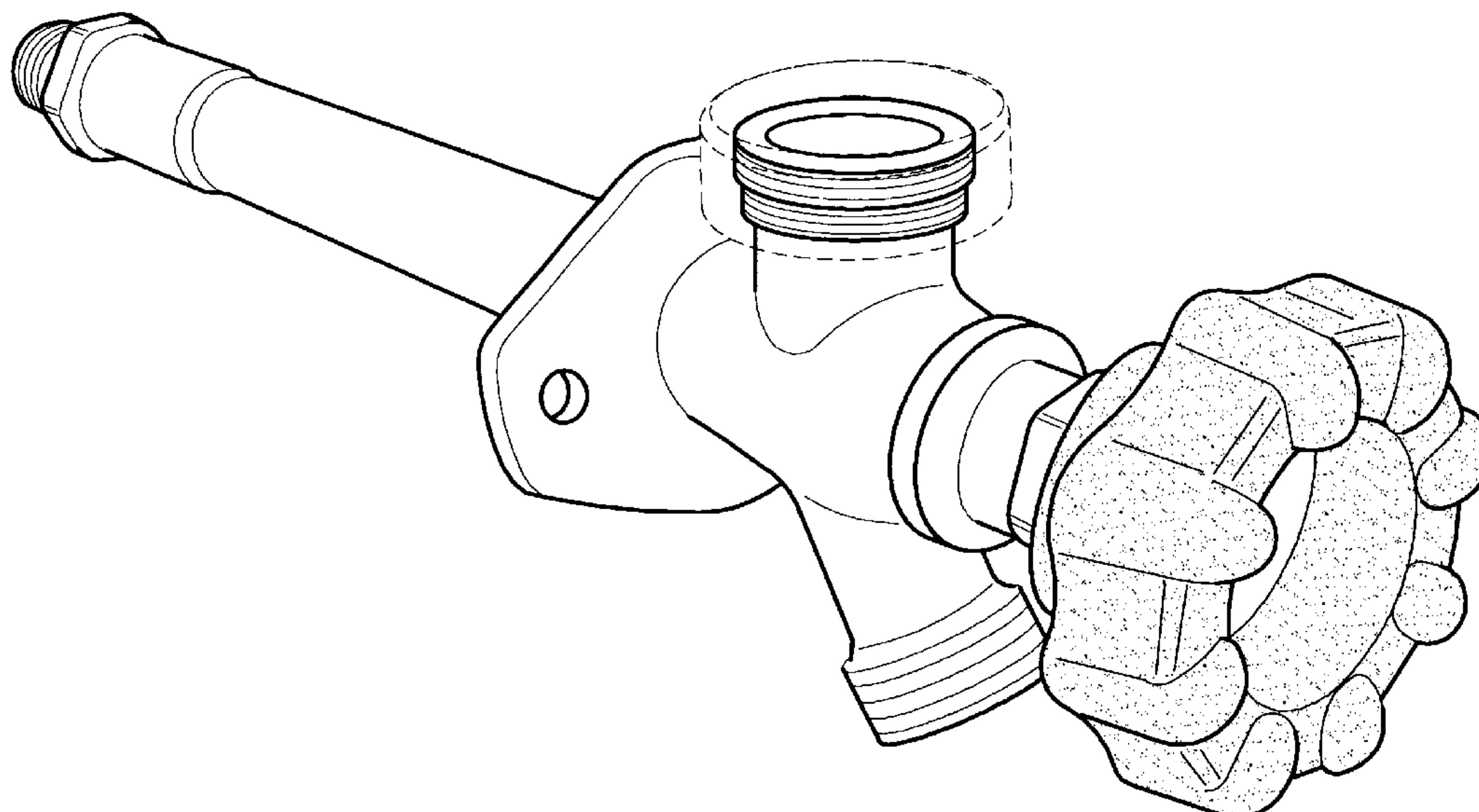
FIG. 11 is a front elevational view thereof;

FIG. 12 is a side elevational view thereof; and,

FIG. 13 is a rear elevational view thereof.

The broken and dashed lines form no part of the claimed invention.

1 Claim, 5 Drawing Sheets



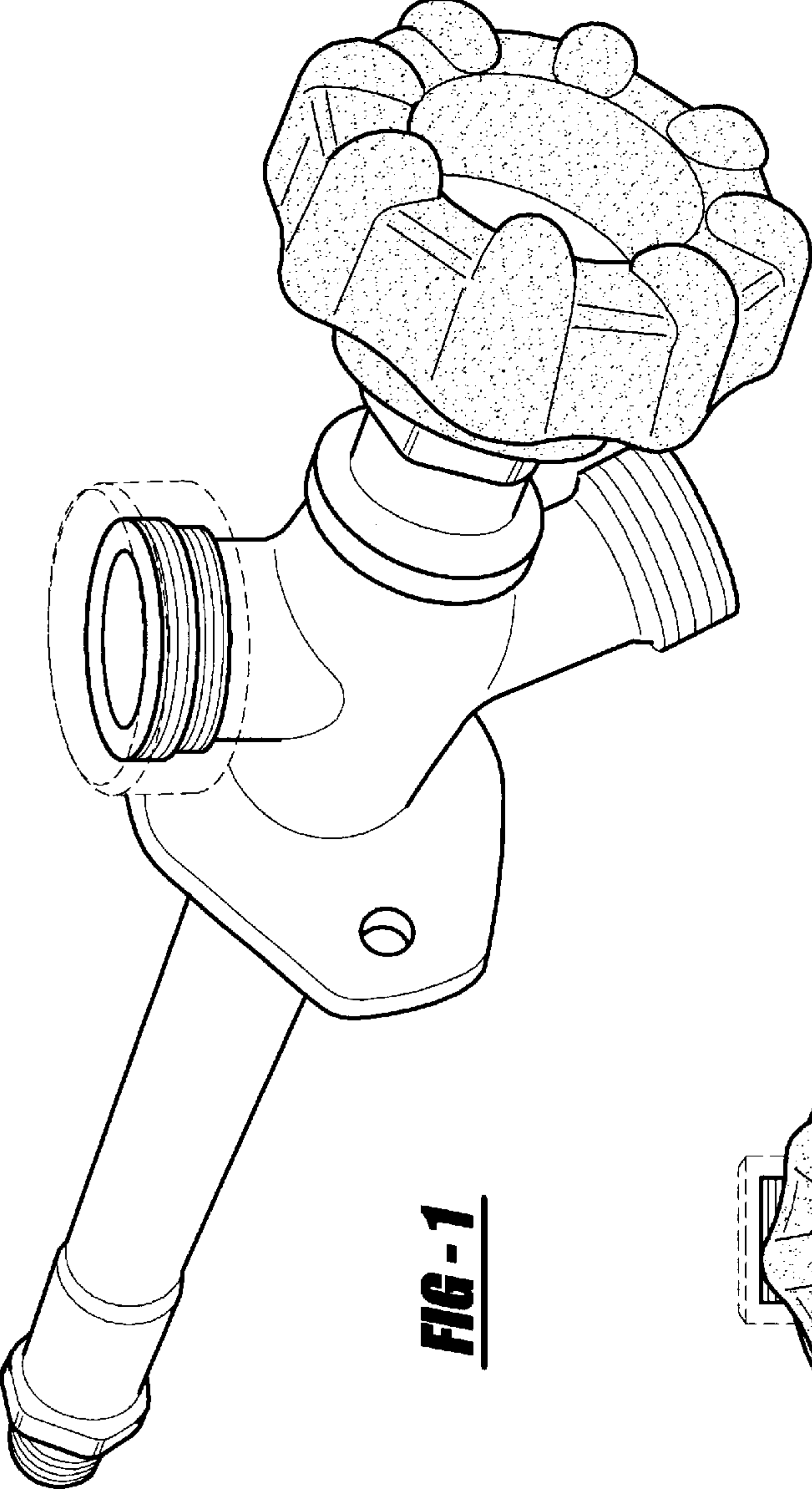


FIG-1

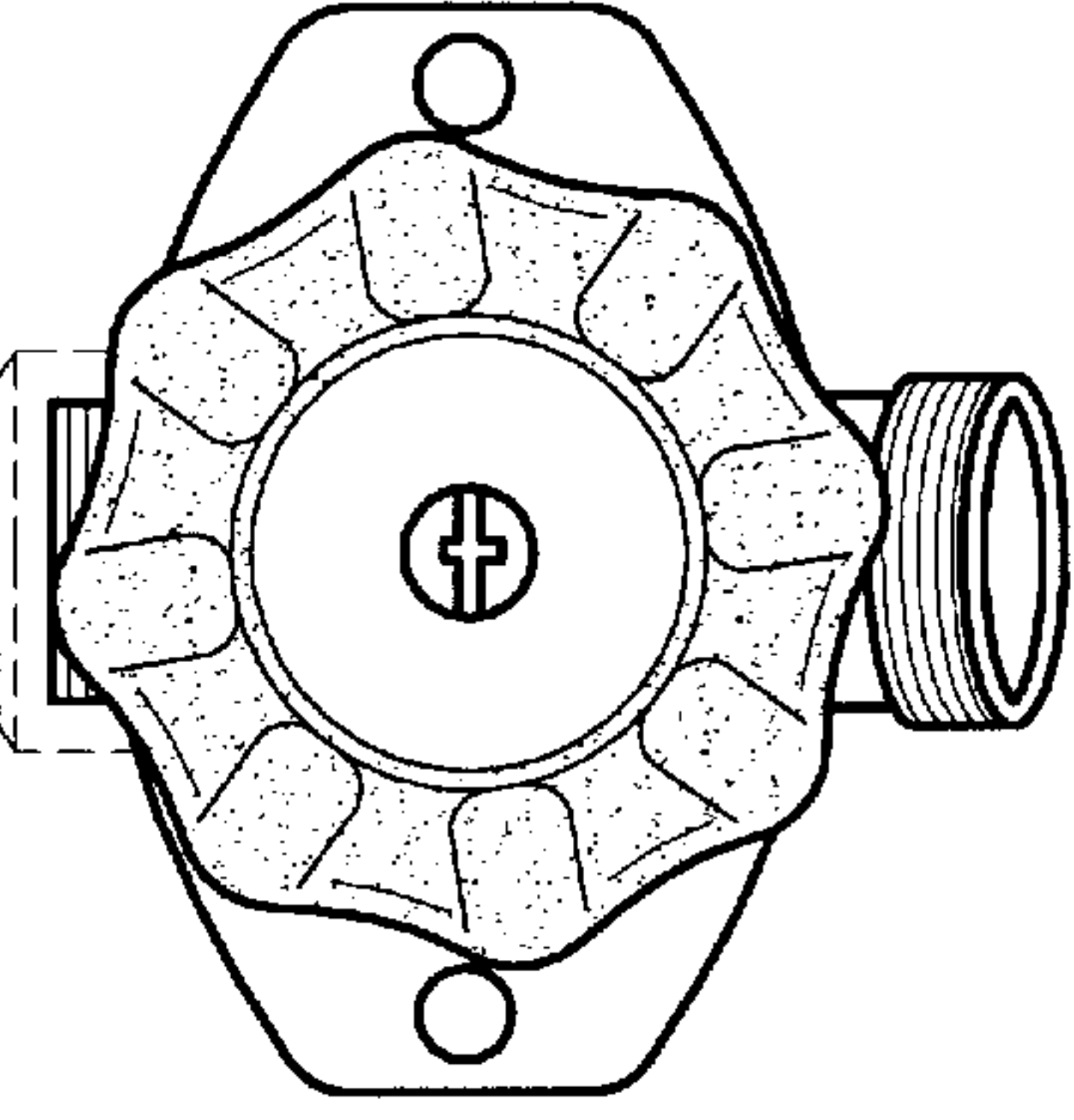


FIG-3

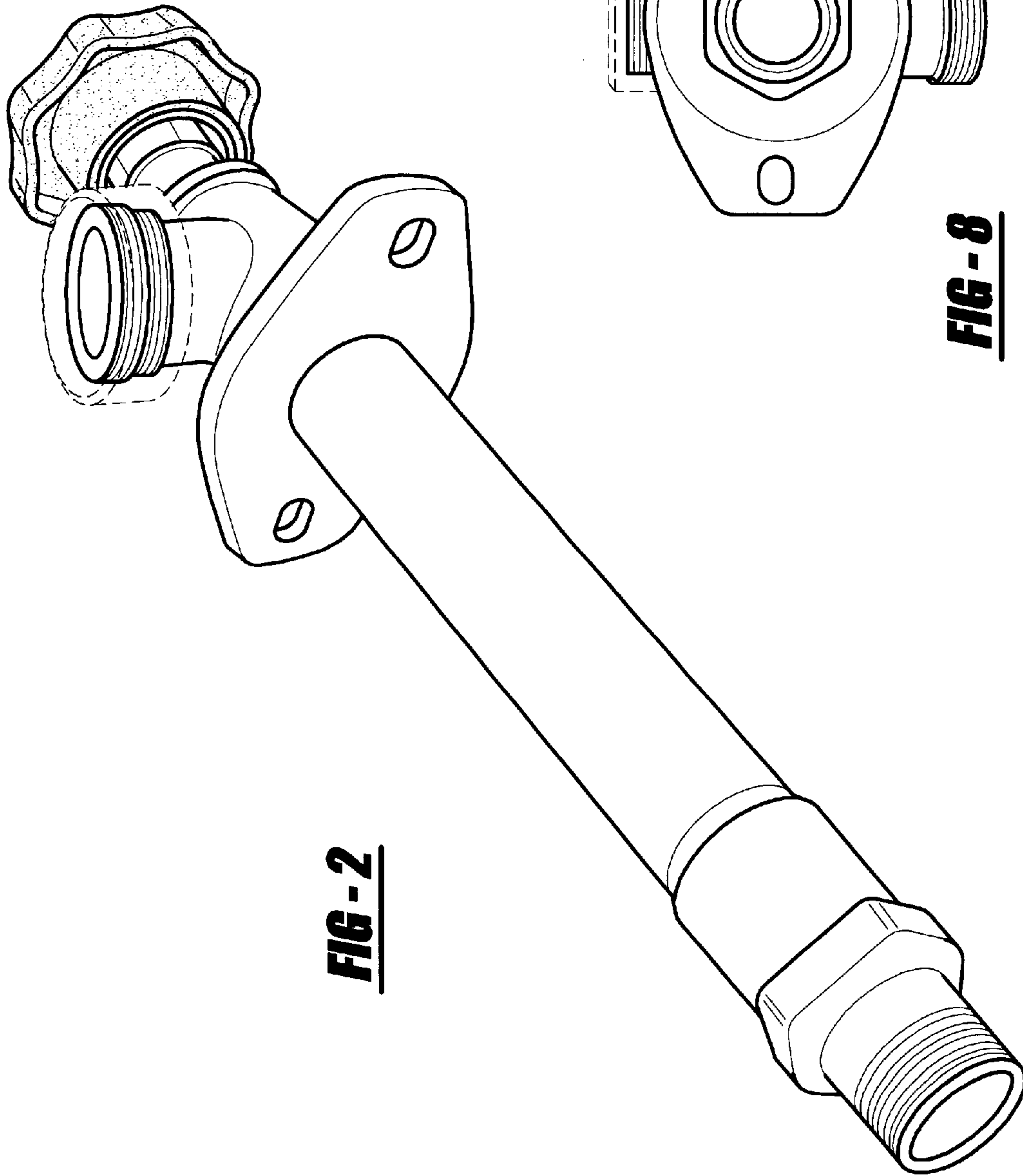


FIG - 2

FIG - 8

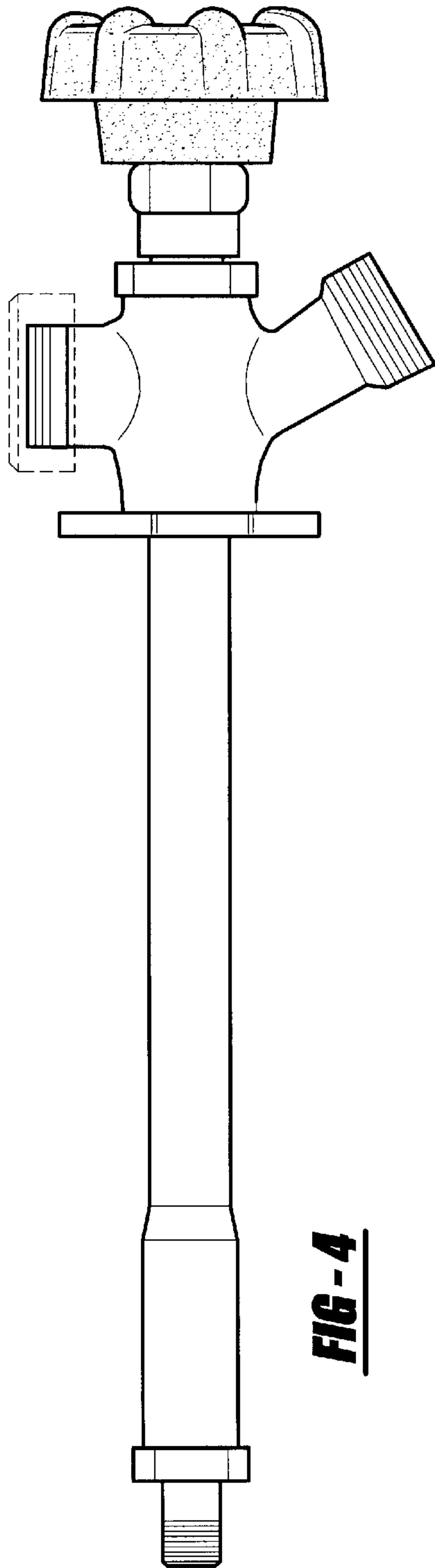


FIG-4

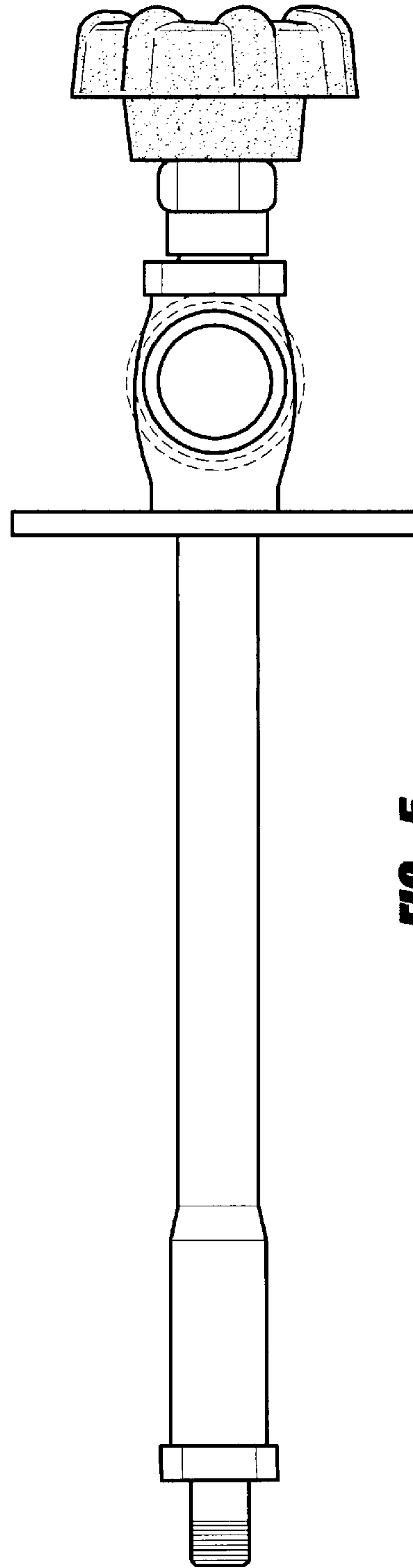
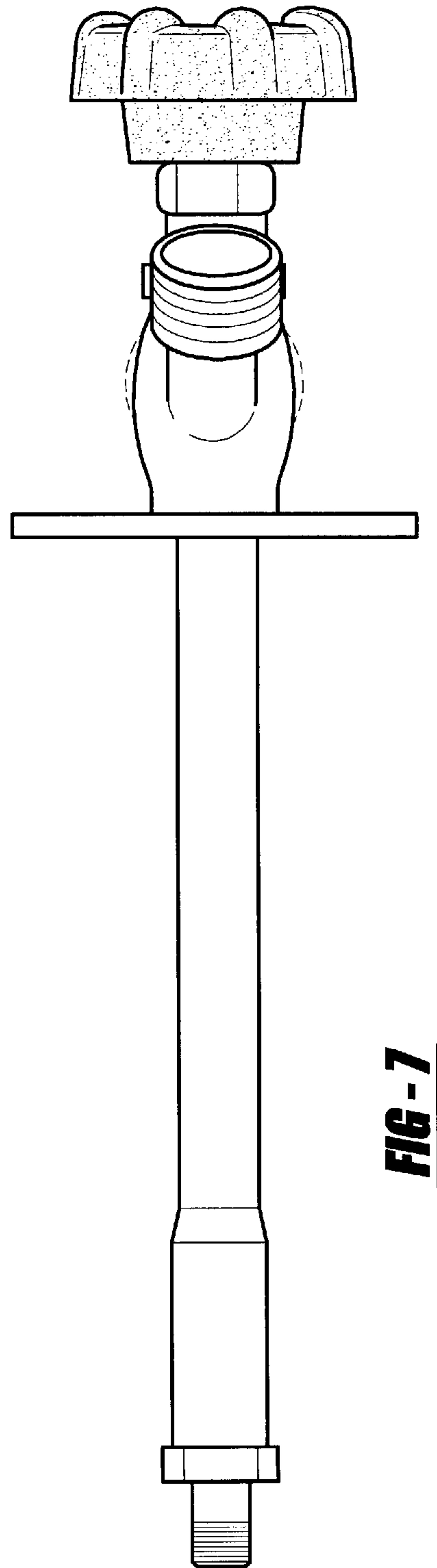
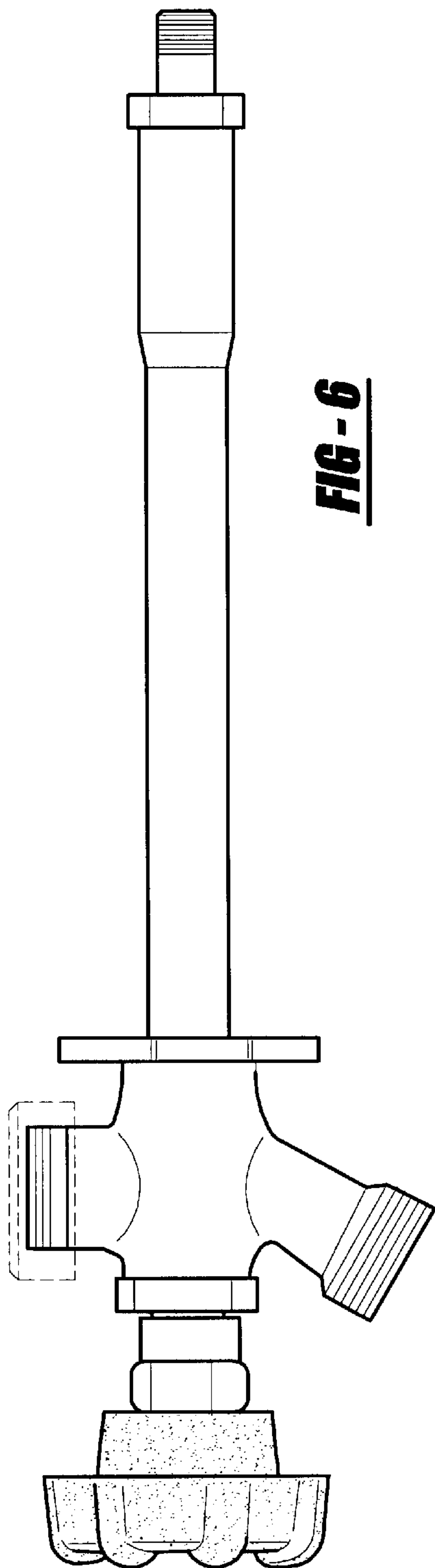


FIG-5



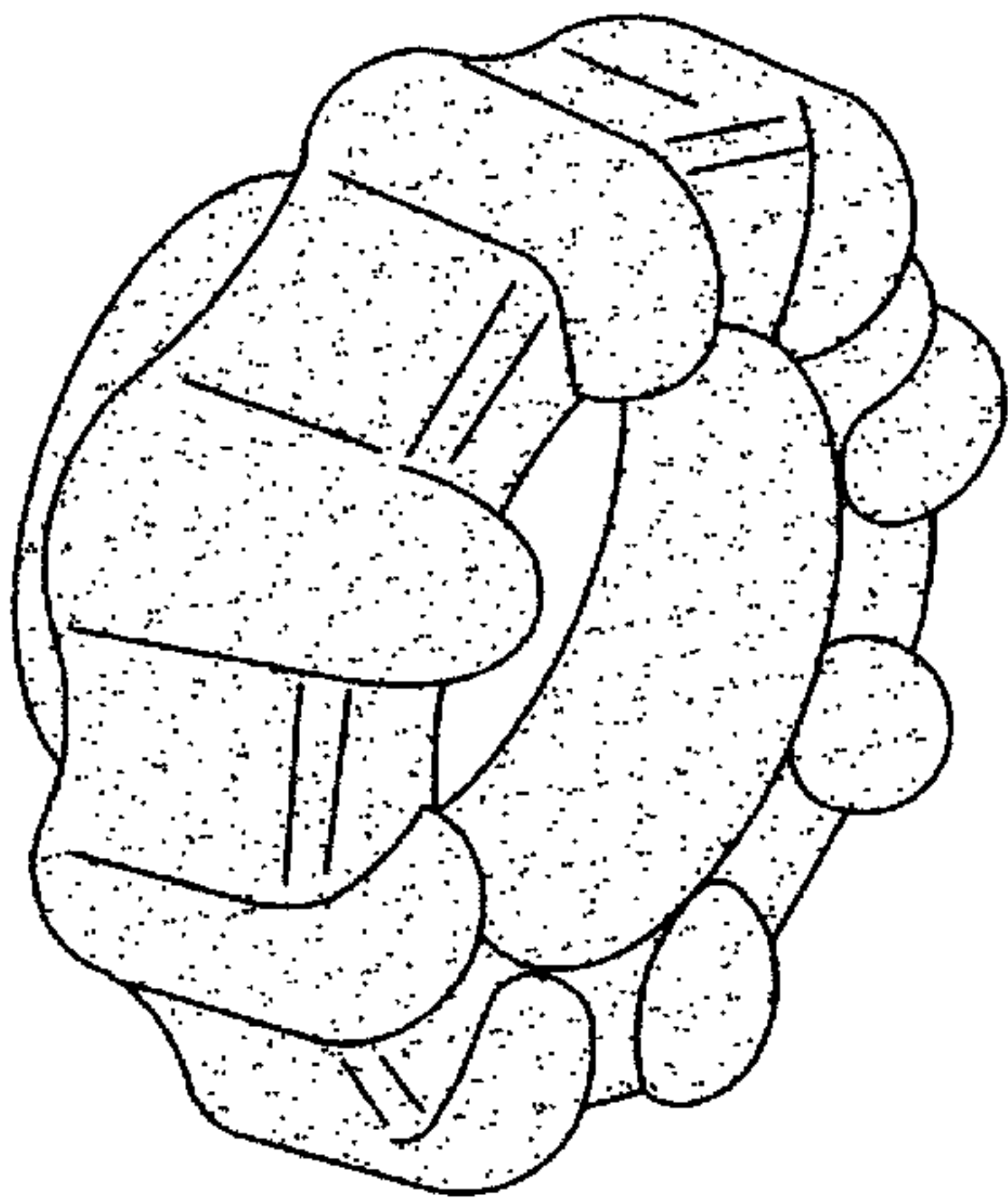


FIG. 9

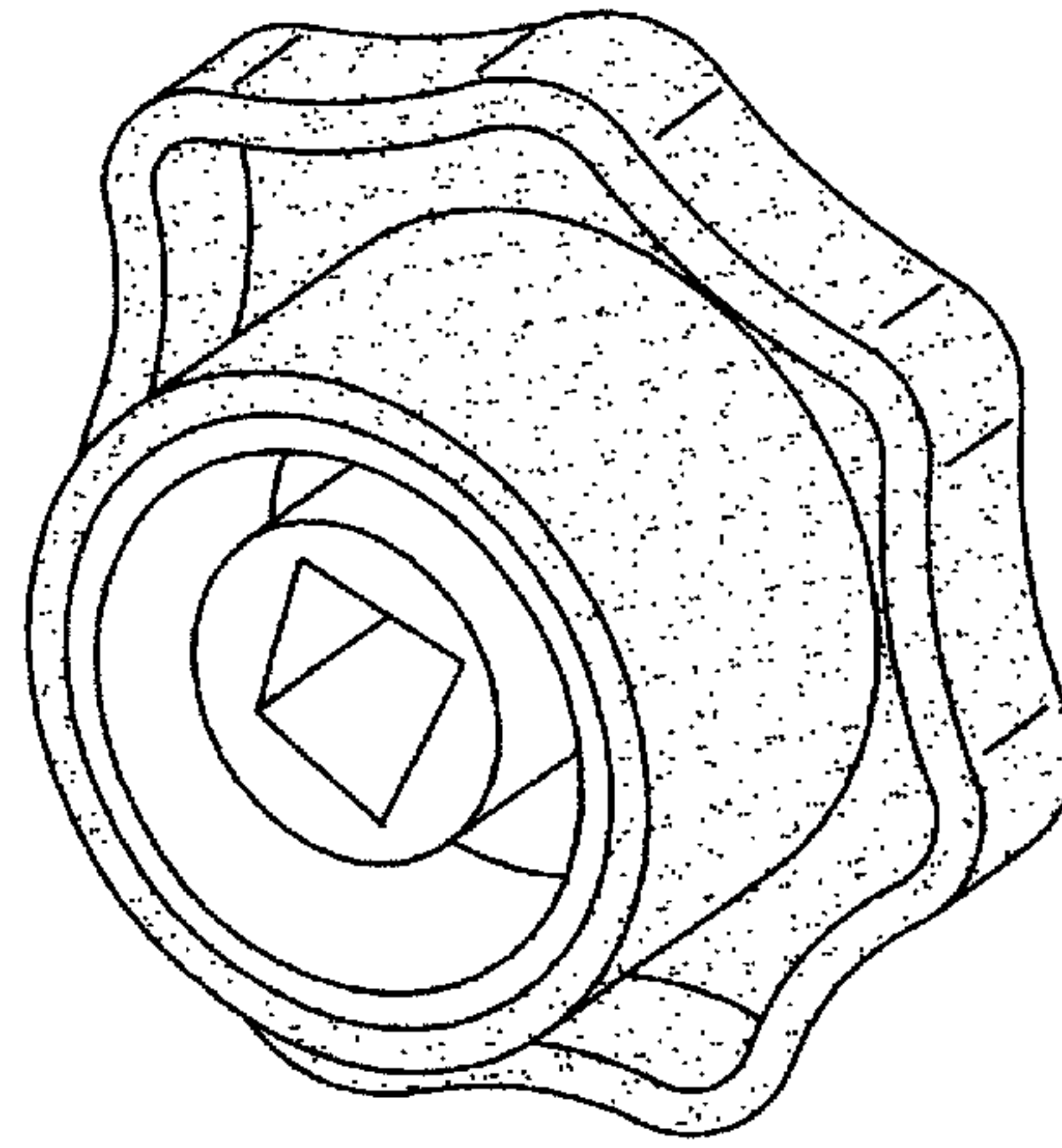


FIG. 10

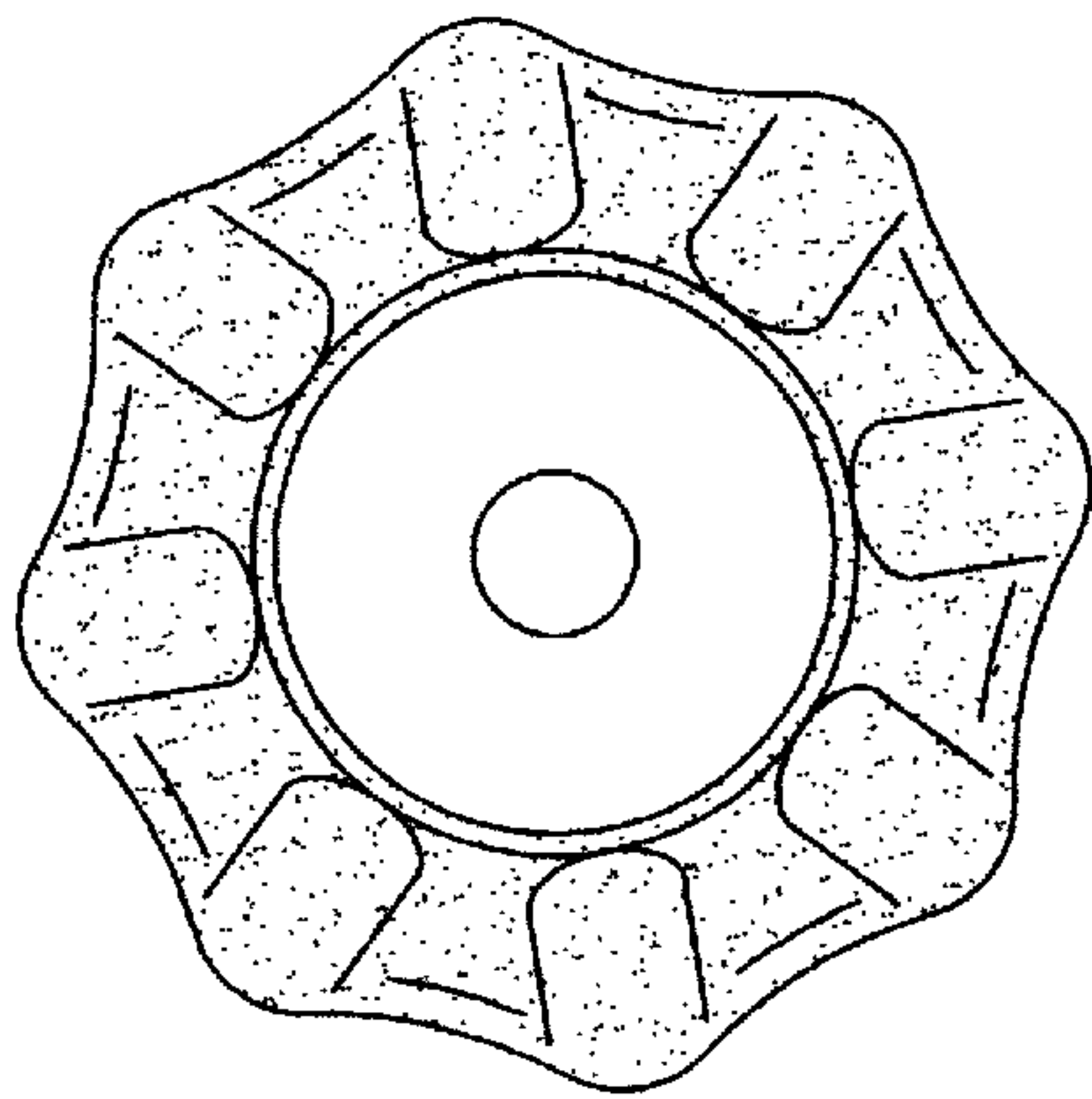


FIG. 11

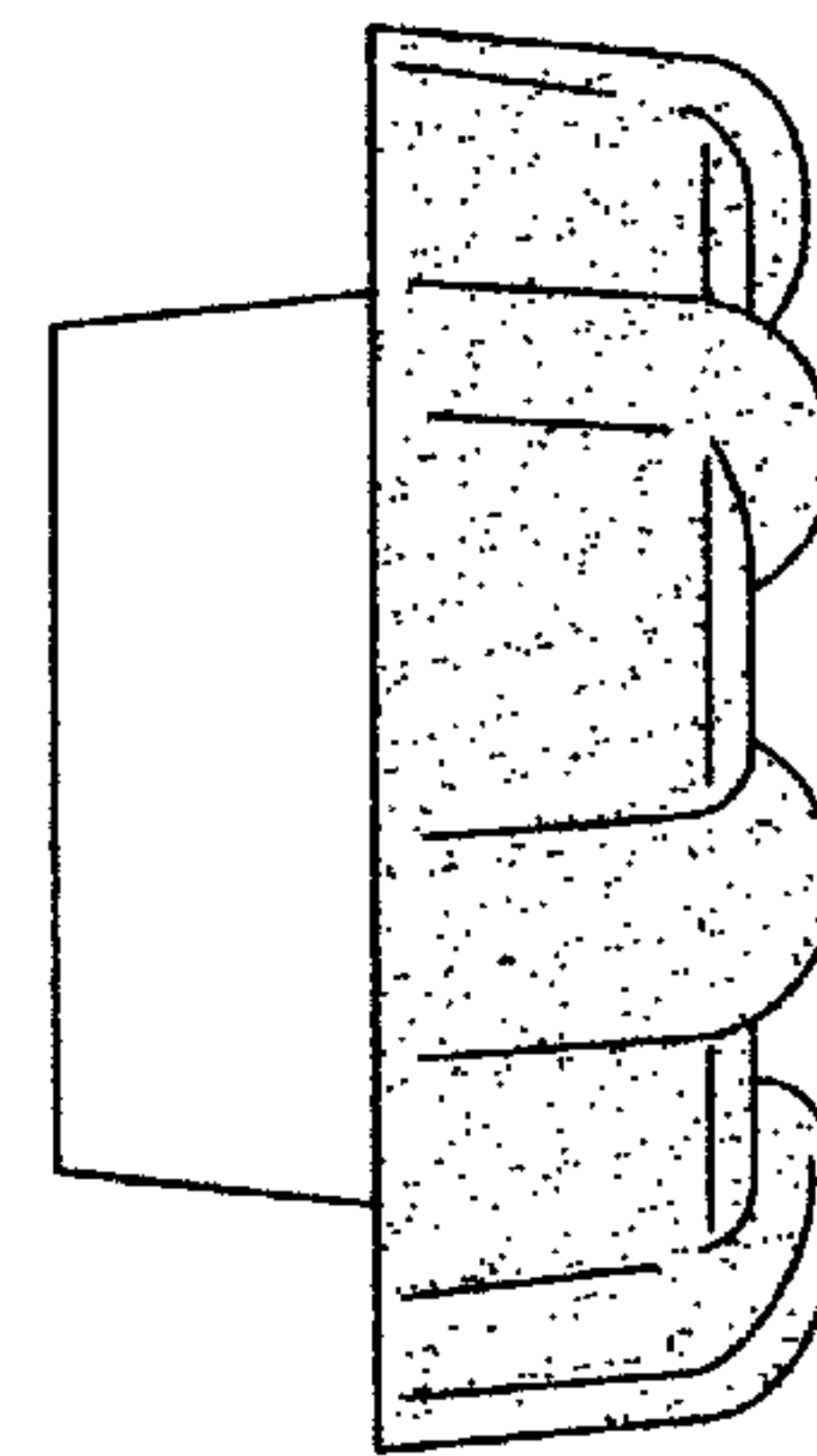


FIG. 12

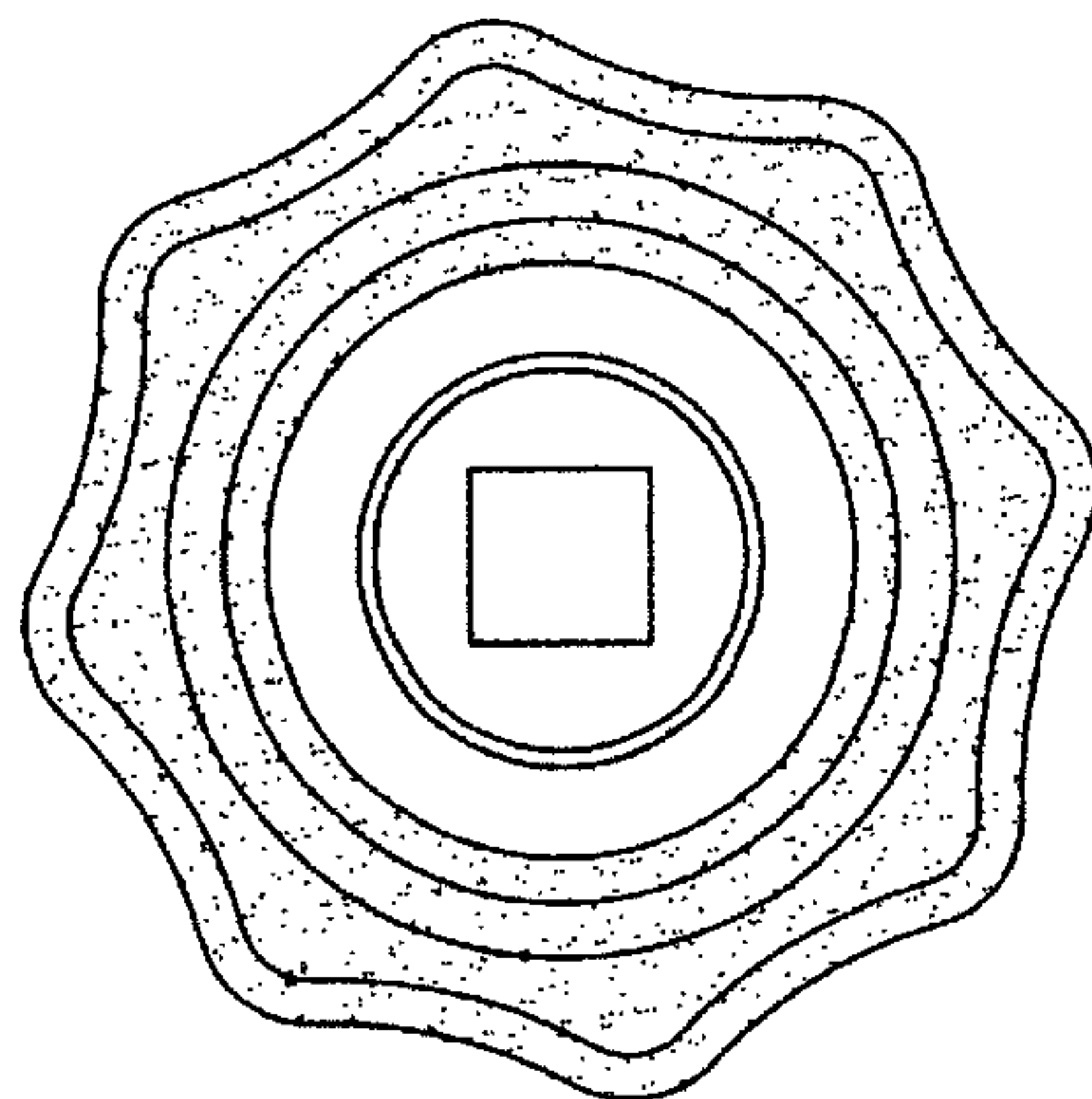


FIG. 13

UNITED STATES PATENT AND TRADEMARK OFFICE
CERTIFICATE OF CORRECTION

PATENT NO. : Des. 527,797 S
APPLICATION NO. : 29/220073
DATED : September 5, 2006
INVENTOR(S) : David F. Hickman

Page 1 of 1

It is certified that error appears in the above-identified patent and that said Letters Patent is hereby corrected as shown below:

On The Title page item 54

In the title:

“SILLOCK AND HANDLE” should read --SILLCOCK AND HANDLE--

(column 2, line 6):

“sillock” should read --sillcock--.

Signed and Sealed this

Twelfth Day of December, 2006

A handwritten signature in black ink on a light gray dotted background. The signature reads "Jon W. Dudas" in a cursive style.

JON W. DUDAS

Director of the United States Patent and Trademark Office