



US00D527796S

(12) **United States Design Patent**  
**Lammel**

(10) **Patent No.:** **US D527,796 S**

(45) **Date of Patent:** **\*\* Sep. 5, 2006**

(54) **COMBINED OUTLET ARM AND FAUCET**

(75) Inventor: **Michael Lammel**, Aachen (DE)

(73) Assignee: **KWC AG**, Unterkulm (CH)

(\*\*) Term: **14 Years**

(21) Appl. No.: **29/223,614**

(22) Filed: **Feb. 17, 2005**

(30) **Foreign Application Priority Data**

Aug. 17, 2004 (CH) ..... 130960

(51) **LOC (8) Cl.** ..... **23-01**

(52) **U.S. Cl.** ..... **D23/239; D23/243**

(58) **Field of Classification Search** ..... D23/238-257;  
4/675; 137/801, 615

See application file for complete search history.

(56) **References Cited**

**U.S. PATENT DOCUMENTS**

D213,193 S \* 1/1969 Sissach ..... D23/241  
D318,518 S \* 7/1991 Schmidt et al. .... D23/238

5,185,893 A \* 2/1993 Lin ..... 4/615  
D441,839 S \* 5/2001 Fleischmann ..... D23/238  
D465,557 S \* 11/2002 Antonello et al. .... D23/242  
D481,445 S \* 10/2003 Haug et al. .... D23/238  
D492,393 S \* 6/2004 Herring et al. .... D23/243

\* cited by examiner

*Primary Examiner*—Louis S. Zarfaz

*Assistant Examiner*—Gregory Andoll

(74) *Attorney, Agent, or Firm*—Oblon, Spivak, McClelland,  
Maier & Neustadt, P.C.

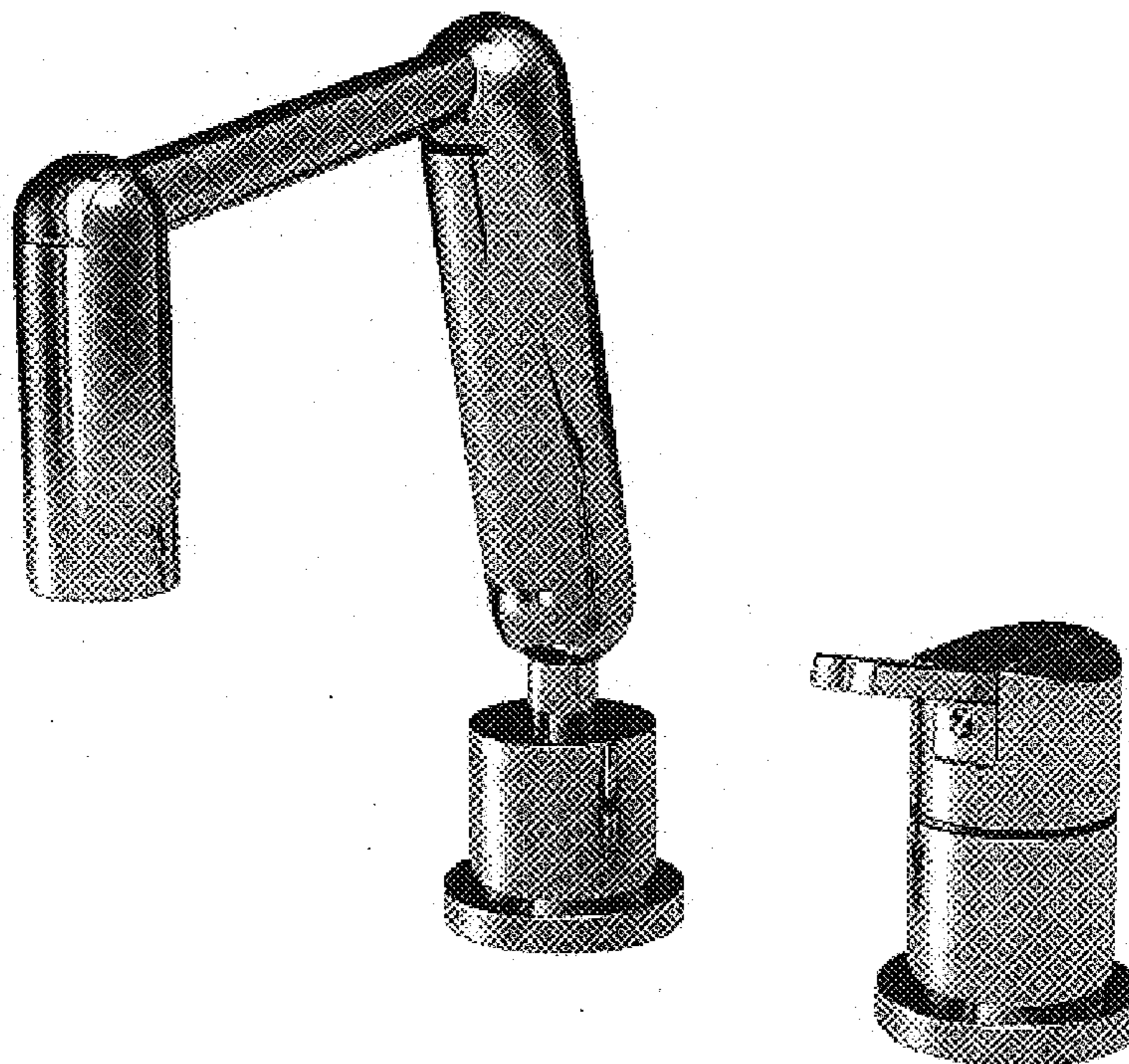
(57) **CLAIM**

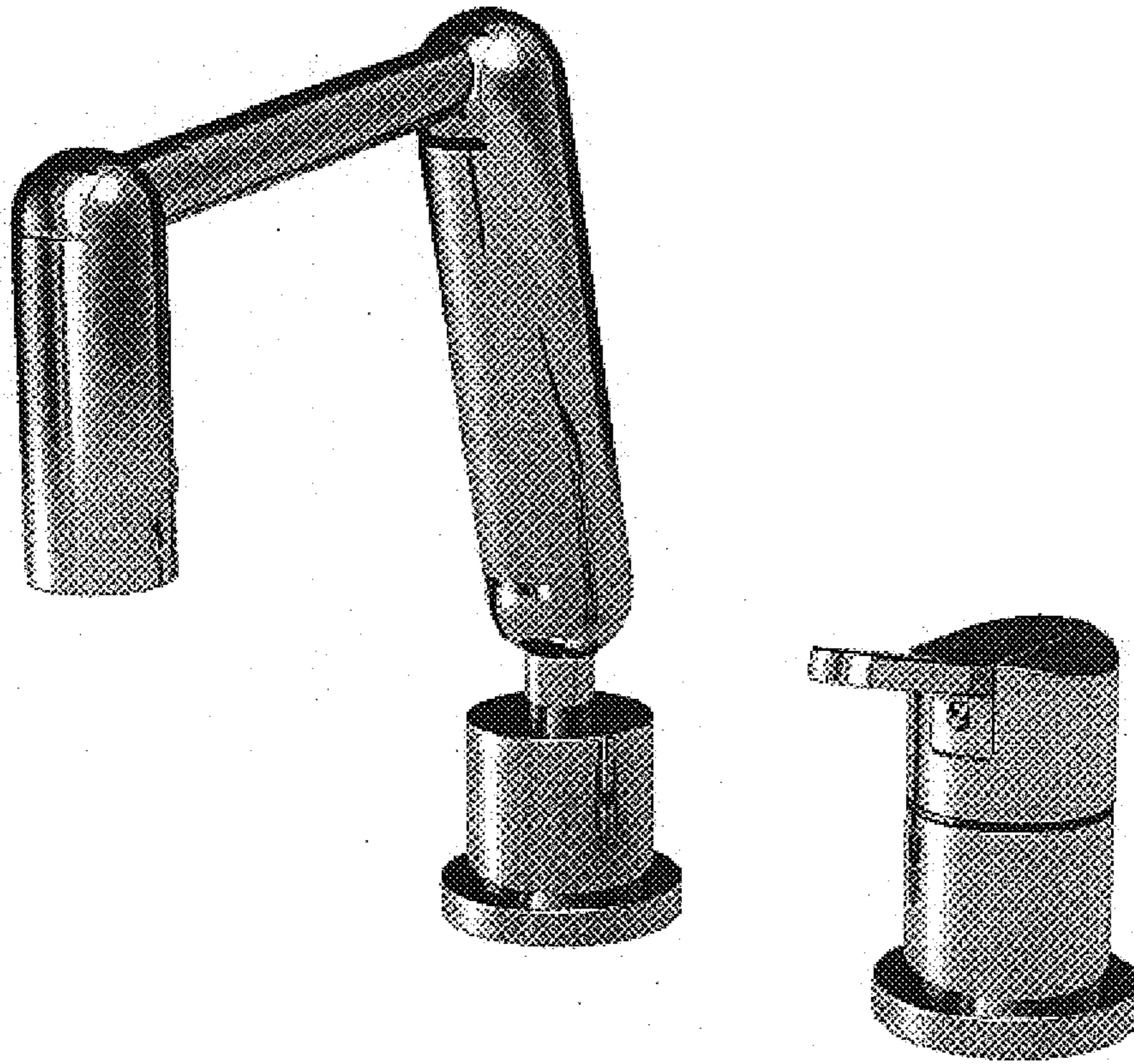
The ornamental design for a combined outlet arm and faucet,  
as shown and described.

**DESCRIPTION**

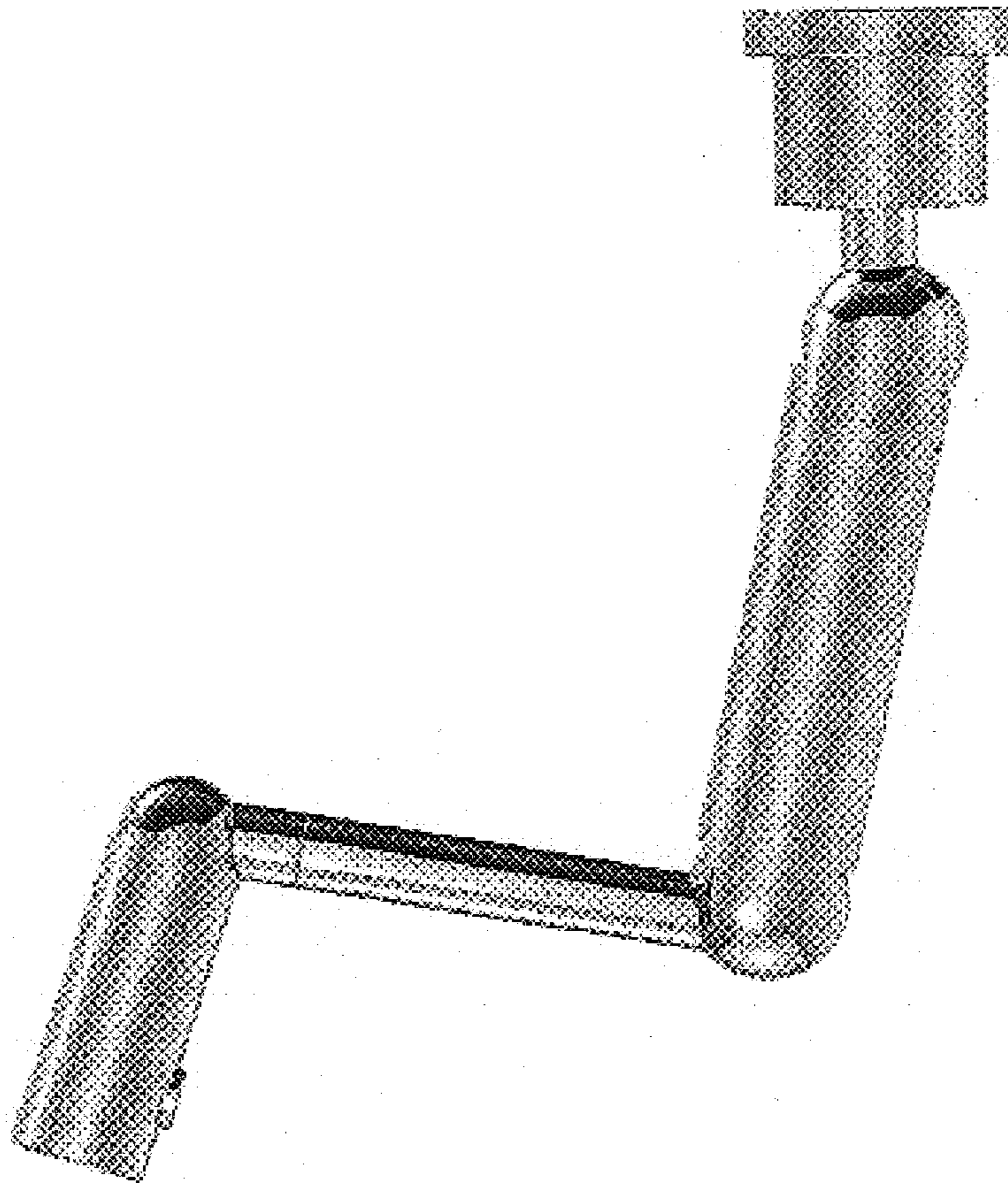
FIG. 1 is a top, front and right side perspective view of an  
combined outlet arm and faucet;  
FIG. 2 is a right front elevational view thereof;  
FIG. 3 is a left side elevational view thereof; and,  
FIG. 4 is a right side elevational view thereof shown with an  
additional handle.

**1 Claim, 4 Drawing Sheets**

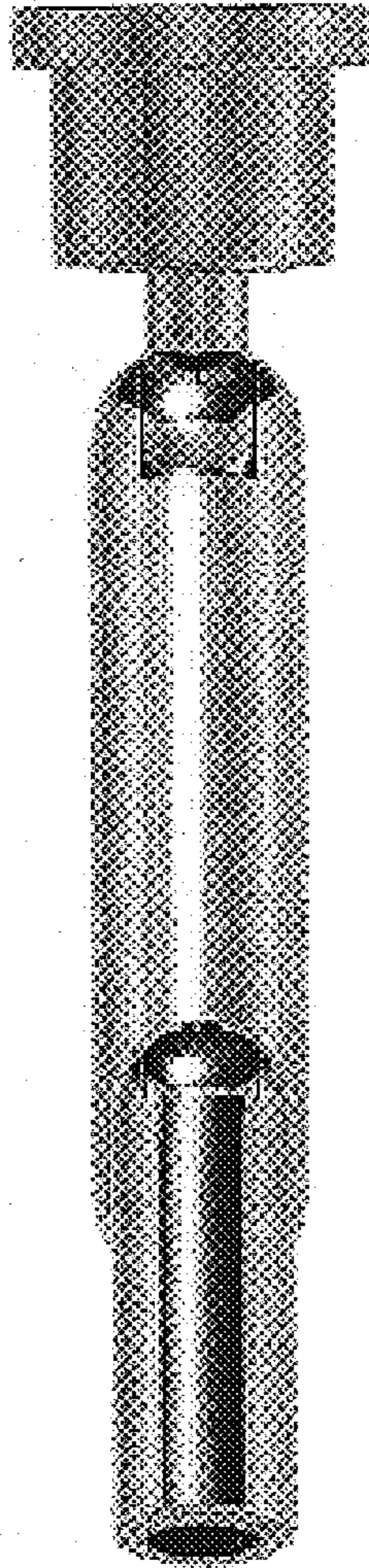




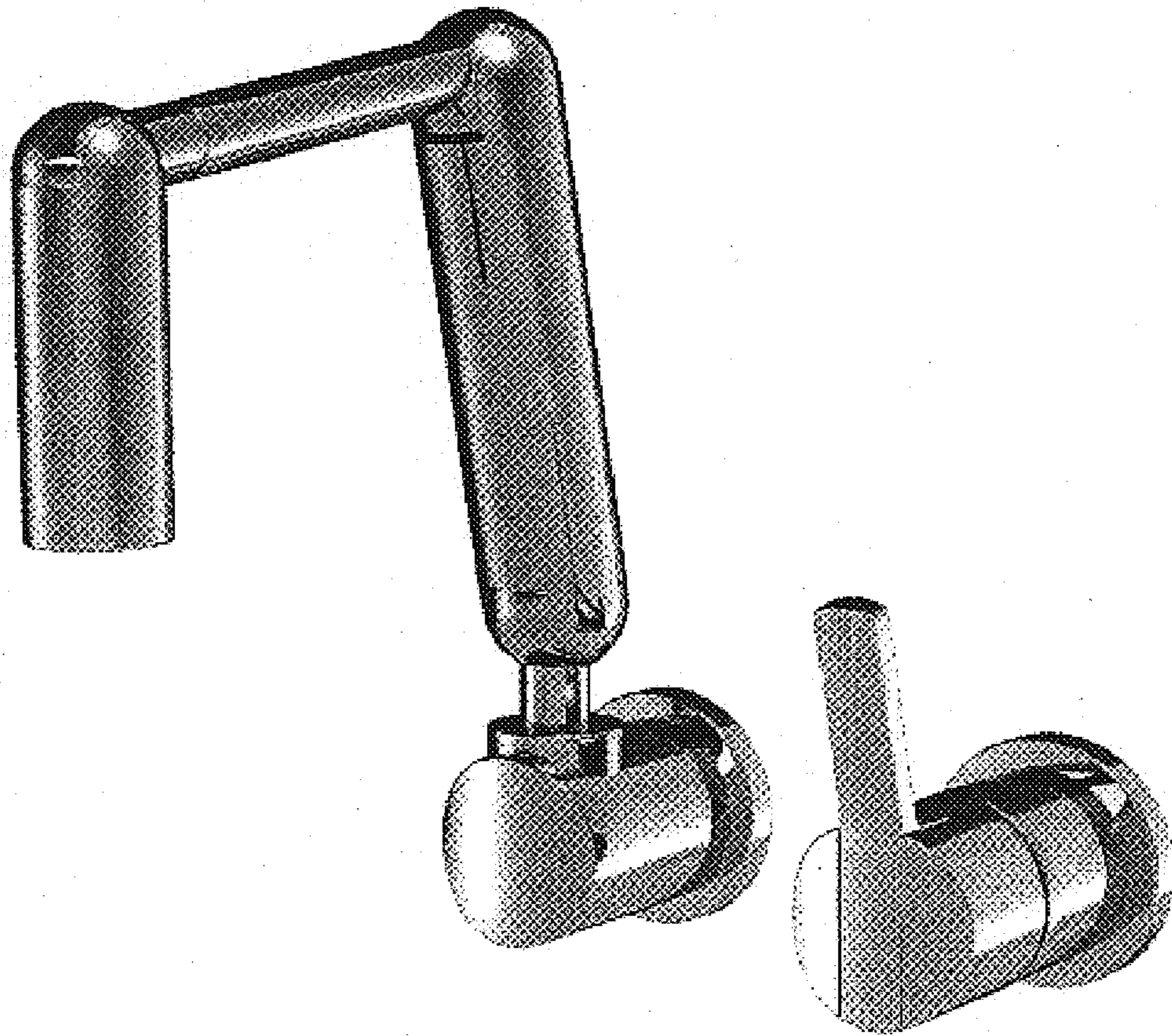
*Fig. 1*



***Fig. 2***



***Fig. 3***



*Fig. 4*