



US00D527794S

(12) **United States Design Patent**
Sieger

(10) **Patent No.:** **US D527,794 S**

(45) **Date of Patent:** **** Sep. 5, 2006**

(54) **DECK-MOUNT FAUCET**

(75) **Inventor:** **Michael Sieger**, Sassenberg (DE)

(73) **Assignee:** **Aloys F. Dornbracht GmbH & Co. KG**, Iserlohn (DE)

(**) **Term:** **14 Years**

(21) **Appl. No.:** **29/224,118**

(22) **Filed:** **Feb. 25, 2005**

(30) **Foreign Application Priority Data**

Sep. 27, 2004 (EM) 000233309

(51) **LOC (8) Cl.** **23-01**

(52) **U.S. Cl.** **D23/238**

(58) **Field of Classification Search** D23/238-257;
4/675-678; 137/801

See application file for complete search history.

(56) **References Cited**

U.S. PATENT DOCUMENTS

D271,704 S * 12/1983 Paul D23/238

D462,421 S * 9/2002 Hundley D23/252
D478,966 S * 8/2003 Citterio D23/238
D503,217 S * 3/2005 Aubry et al. D23/255

* cited by examiner

Primary Examiner—Louis S. Zarfaz

Assistant Examiner—Gregory Andoll

(74) *Attorney, Agent, or Firm*—Andrew Wilford

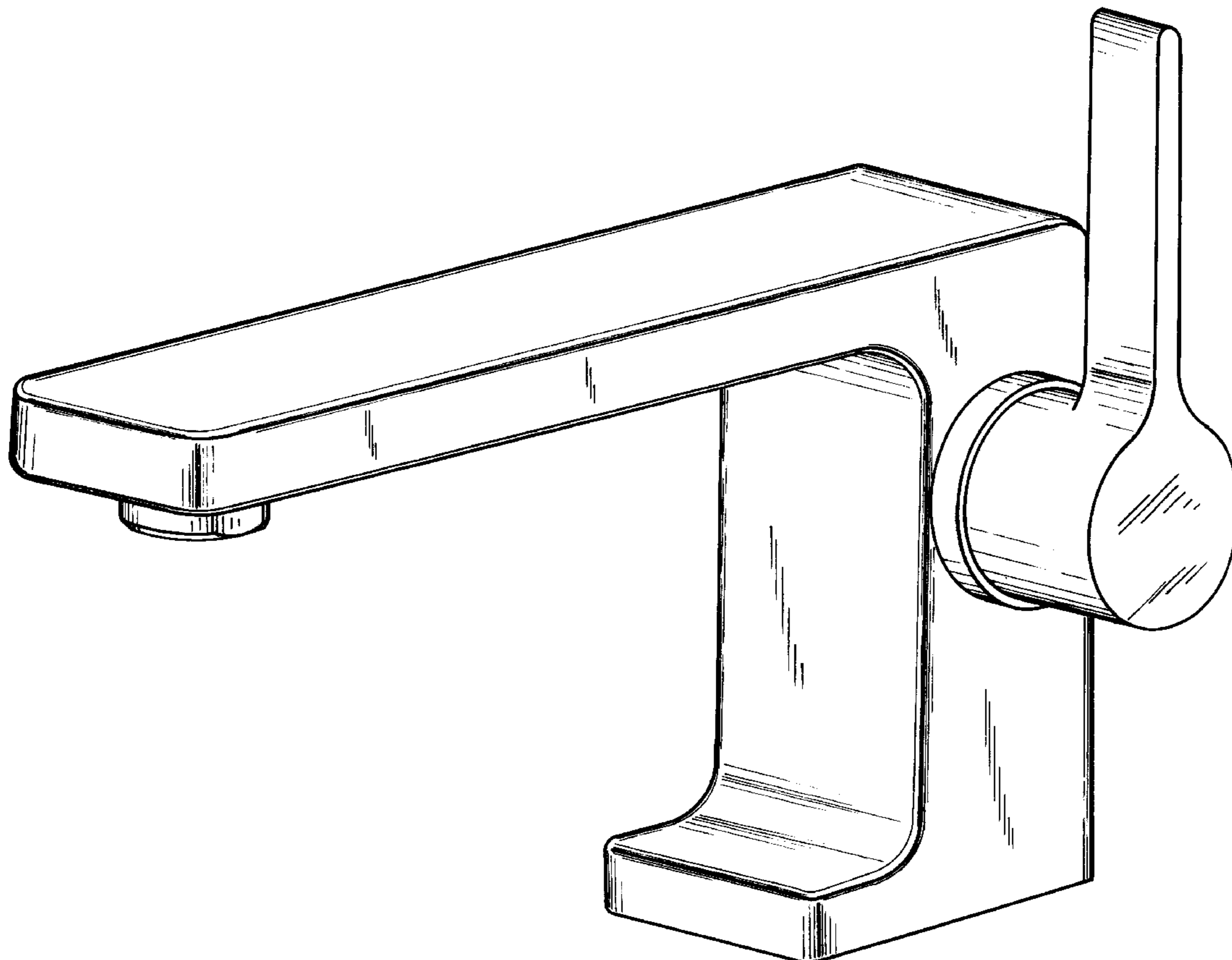
(57) **CLAIM**

The ornamental design for a deck-mount faucet, as shown and described.

DESCRIPTION

FIG. 1 is a top, front, right-side perspective view of a deck-mount faucet showing my new design; FIG. 2 is a front elevational view thereof; FIG. 3 is a right side elevational view thereof; FIG. 4 is a top plan view thereof; FIG. 5 is a left side elevational view thereof; and, FIG. 6 is a rear elevational view thereof, the bottom, not seen in use, being plain and unornamented.

1 Claim, 6 Drawing Sheets



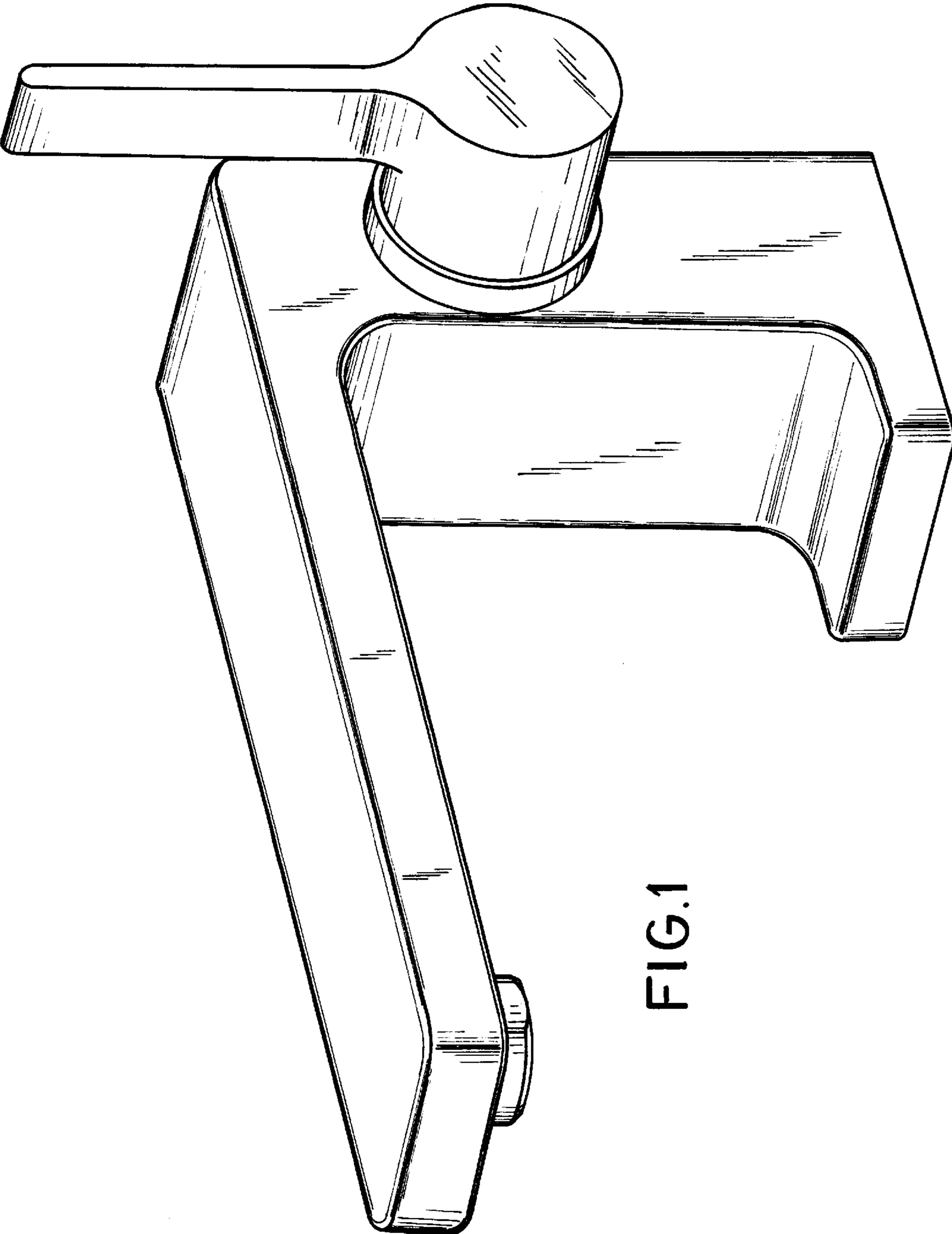


FIG.1

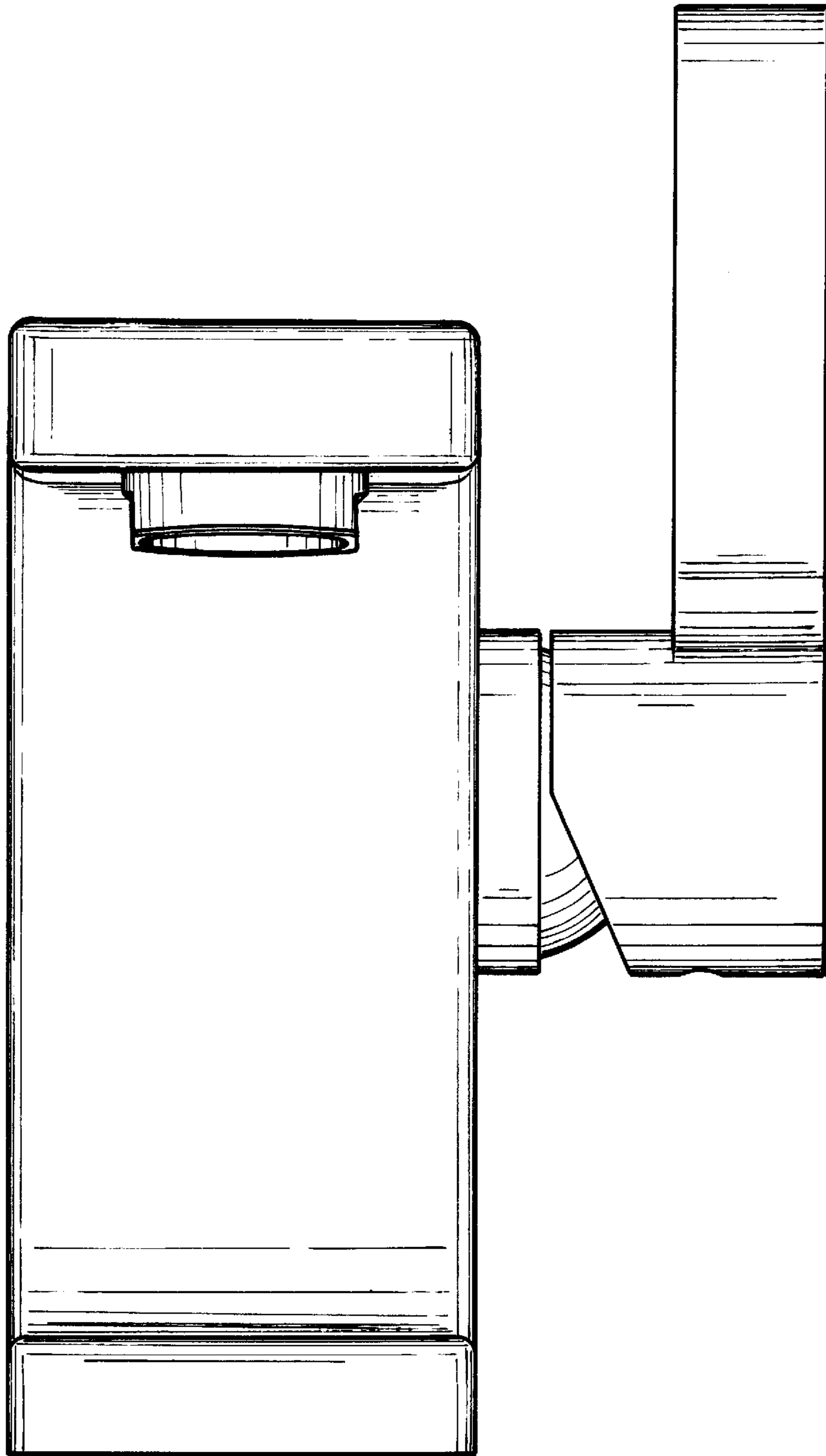


FIG.2

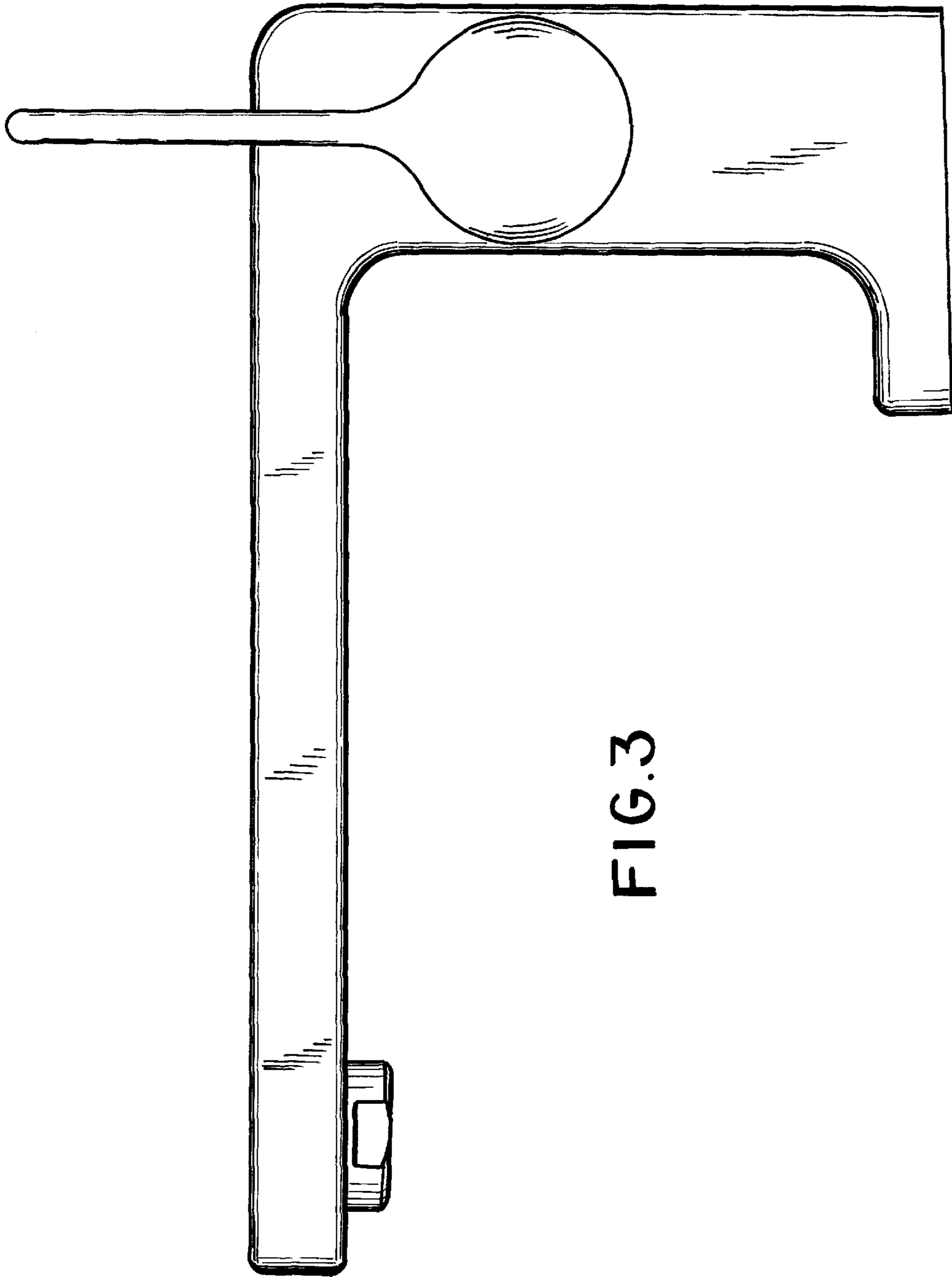


FIG. 3

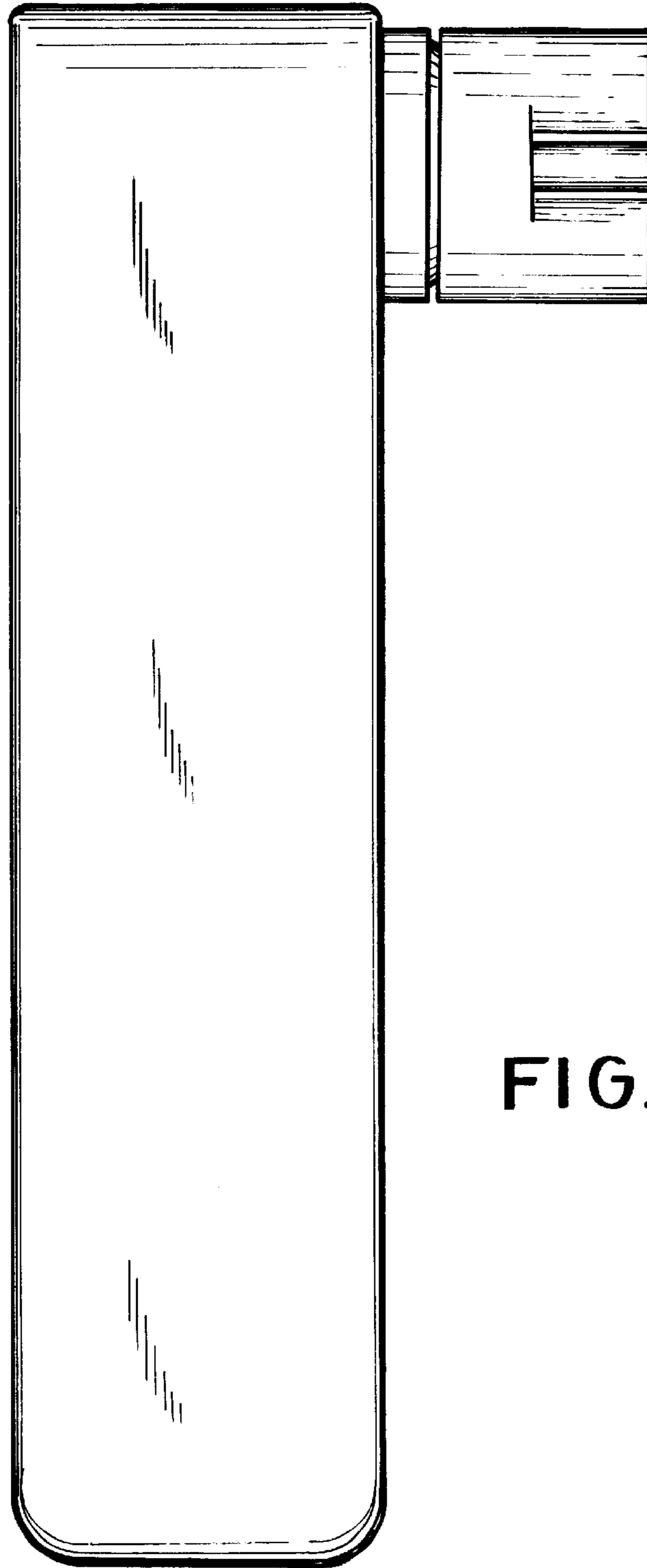


FIG. 4

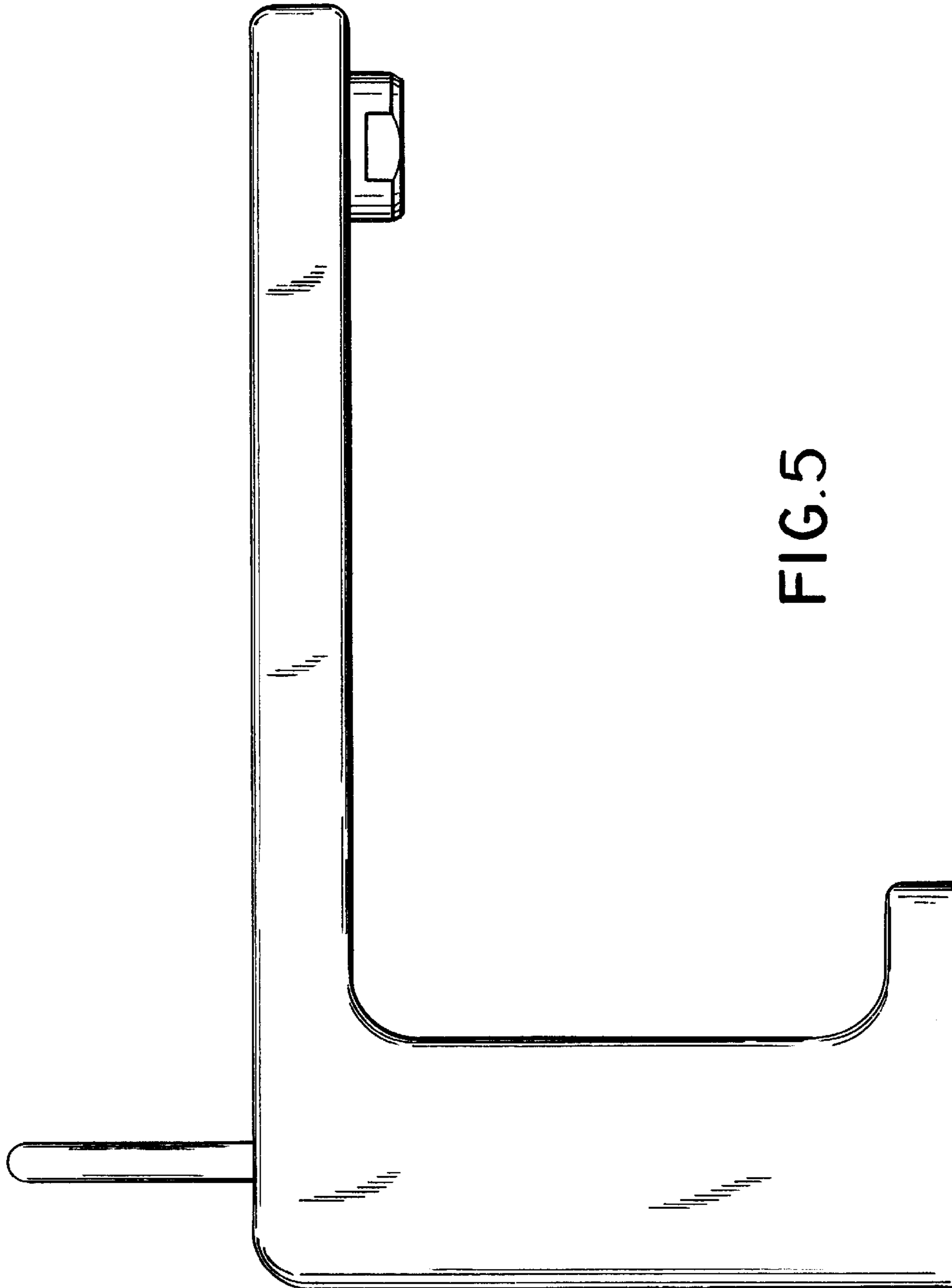


FIG. 5

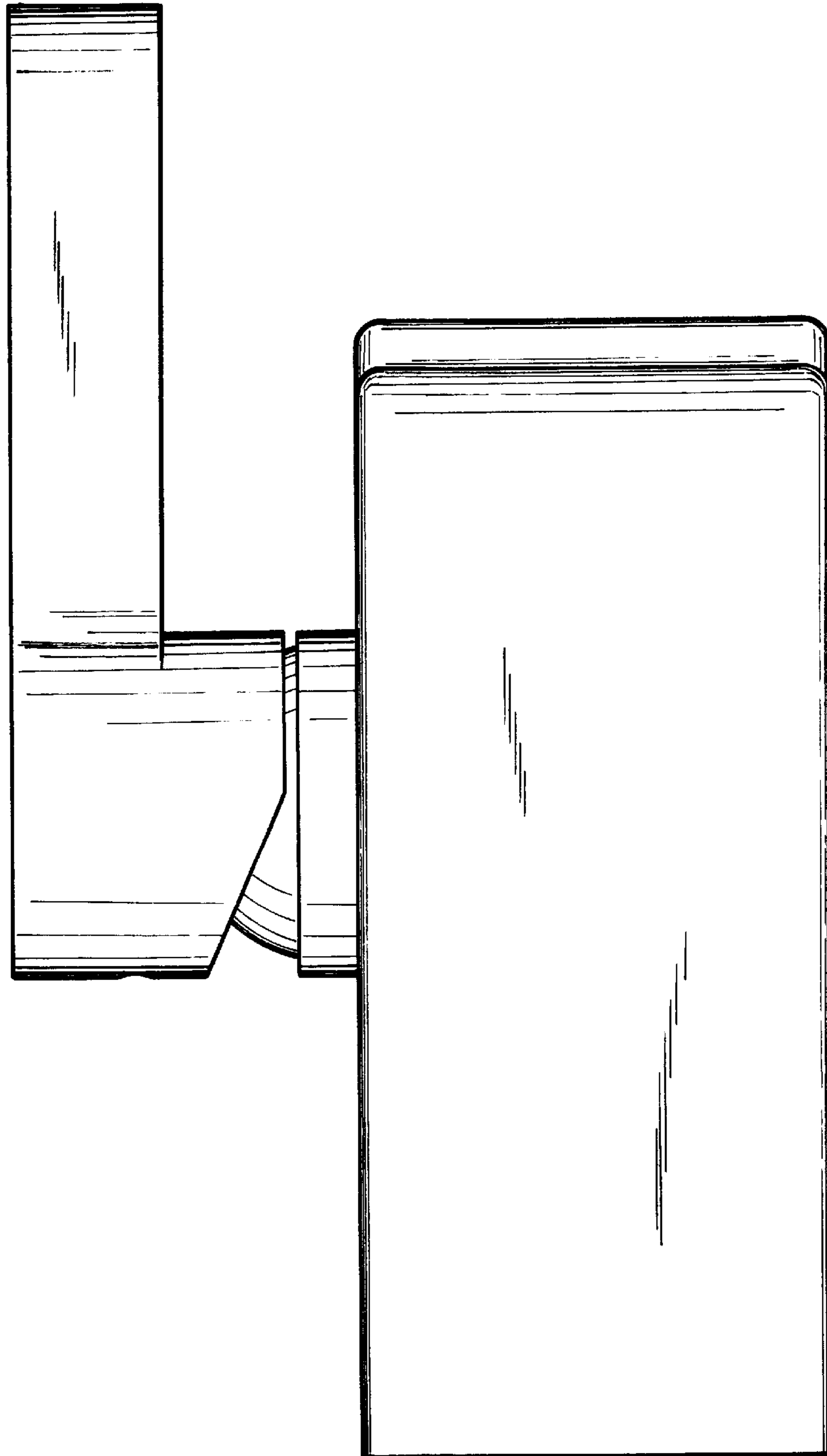


FIG. 6