

US00D527793S

(12) **United States Design Patent**
Cantolino

(10) **Patent No.:** **US D527,793 S**

(45) **Date of Patent:** **** Sep. 5, 2006**

(54) **CONDENSATE FLOW SHUT-OFF SWITCH**

(76) **Inventor:** **Christopher Ralph Cantolino**, 7704 -
18th Ave., NW., Bradenton, FL (US)
34209

(**) **Term:** **14 Years**

(21) **Appl. No.:** **29/223,311**

(22) **Filed:** **Feb. 11, 2005**

(51) **LOC (8) Cl.** **23-01**

(52) **U.S. Cl.** **D23/233**

(58) **Field of Classification Search** D23/233-237,
D23/244-249; 137/460, 468, 498; 251/288,
251/14, 316.14, 309, 335.3

See application file for complete search history.

(56) **References Cited**

U.S. PATENT DOCUMENTS

D478,650 S	*	8/2003	Lai	D23/233
D490,141 S	*	5/2004	Pelletz et al.	D23/233
D499,172 S	*	11/2004	Tripp et al.	D23/245
D502,762 S	*	3/2005	Kriegshauser	D23/233

* cited by examiner

Primary Examiner—Ian Simmons

Assistant Examiner—Maurice Srevens

(74) *Attorney, Agent, or Firm*—Dorothy S. Morse

(57) **CLAIM**

The ornamental design for a condensate flow shut-off switch, as shown and described.

DESCRIPTION

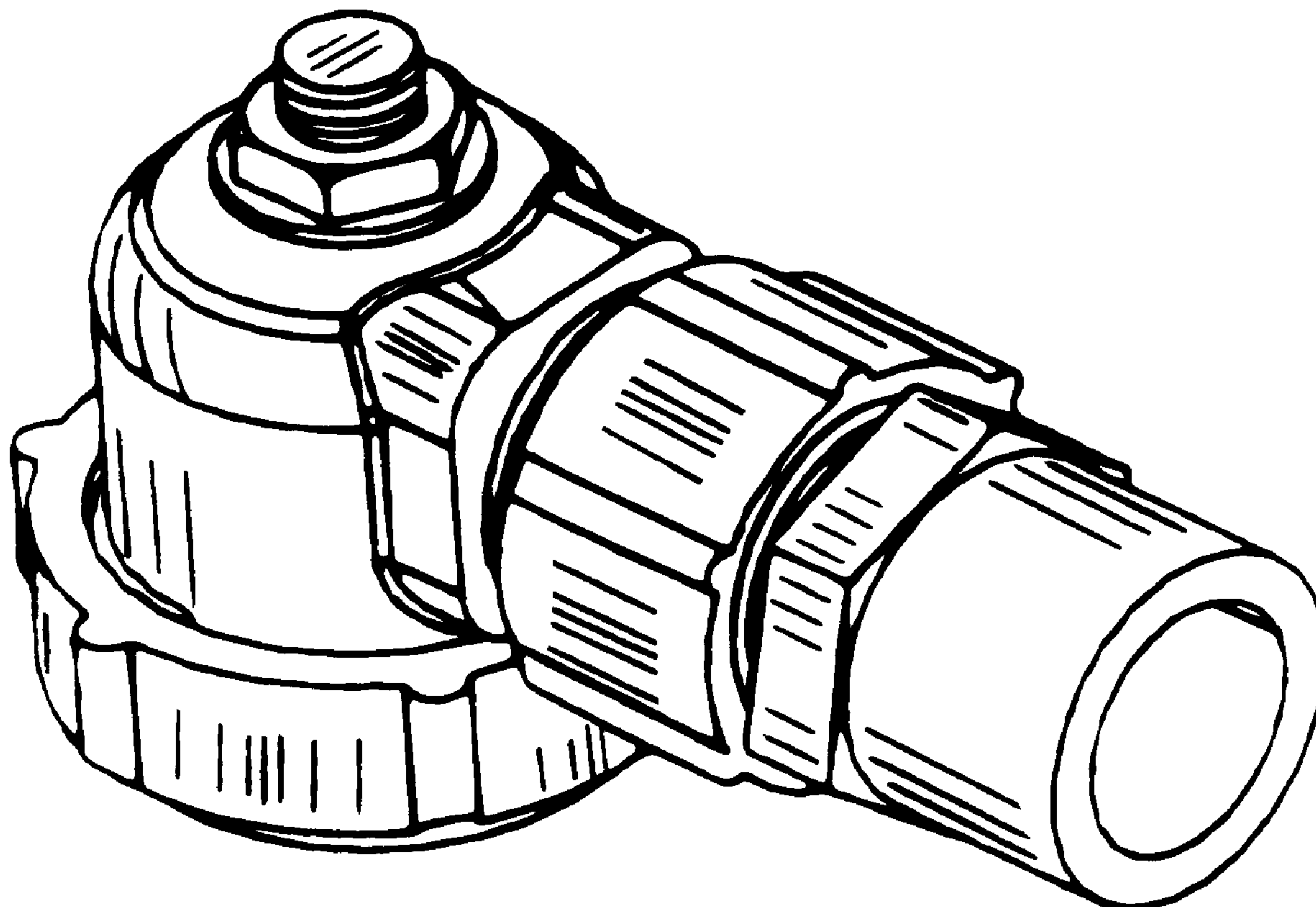
FIG. 1 is a left side perspective view of a condensate flow shut-off switch, the right side view is a mirror image;

FIG. 2 is a front perspective view of the housing shown separately for ease of illustration, with broken lines being used for illustrative purposes only and forming no part of the claimed design;

FIG. 3 is a top perspective view of the cap of FIG. 1 shown separately for ease of illustration; and,

FIG. 4 is an exploded view, with broken lines being used for illustrative purposes only and forming no part of the claimed design.

1 Claim, 2 Drawing Sheets



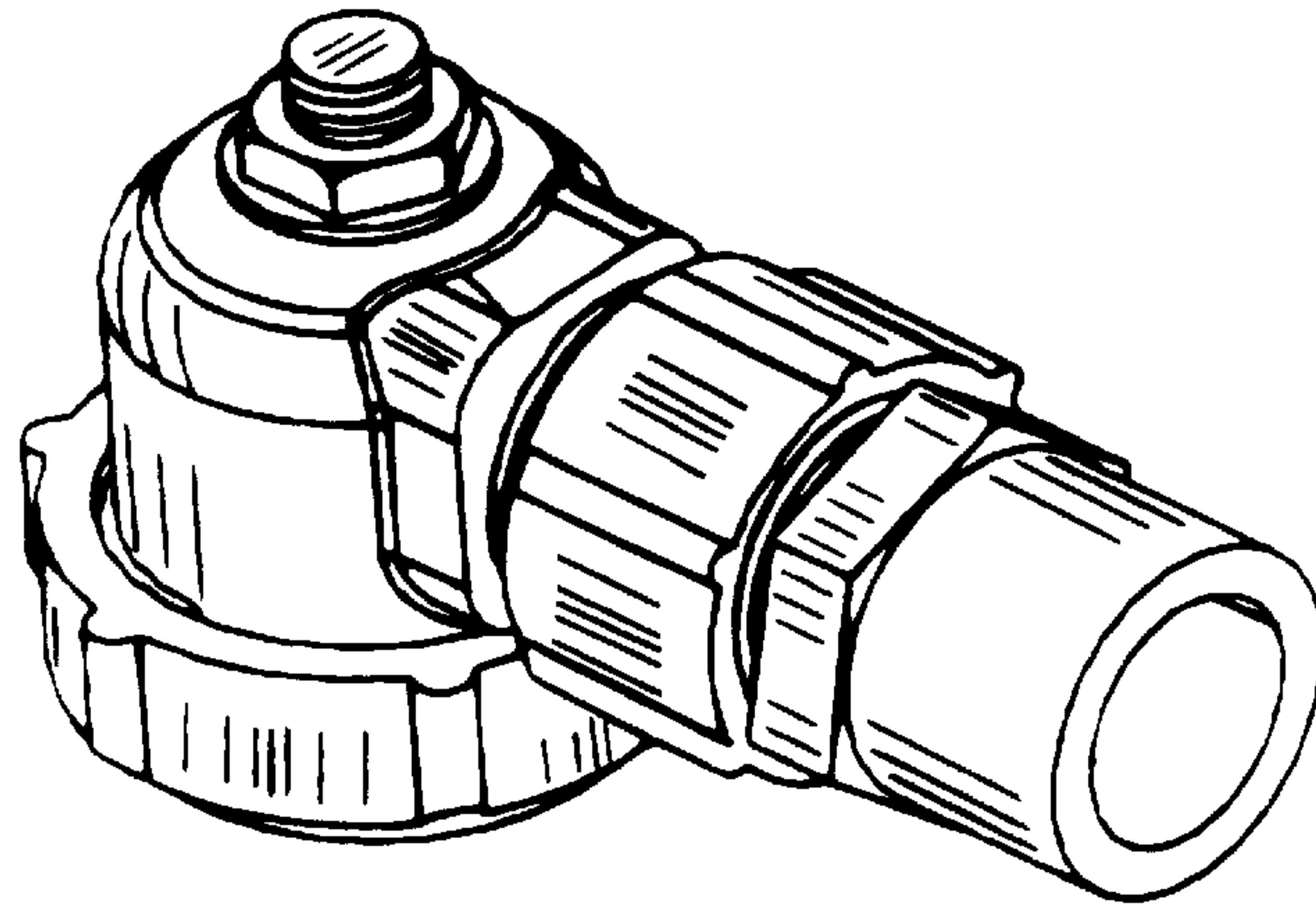


FIG. 1

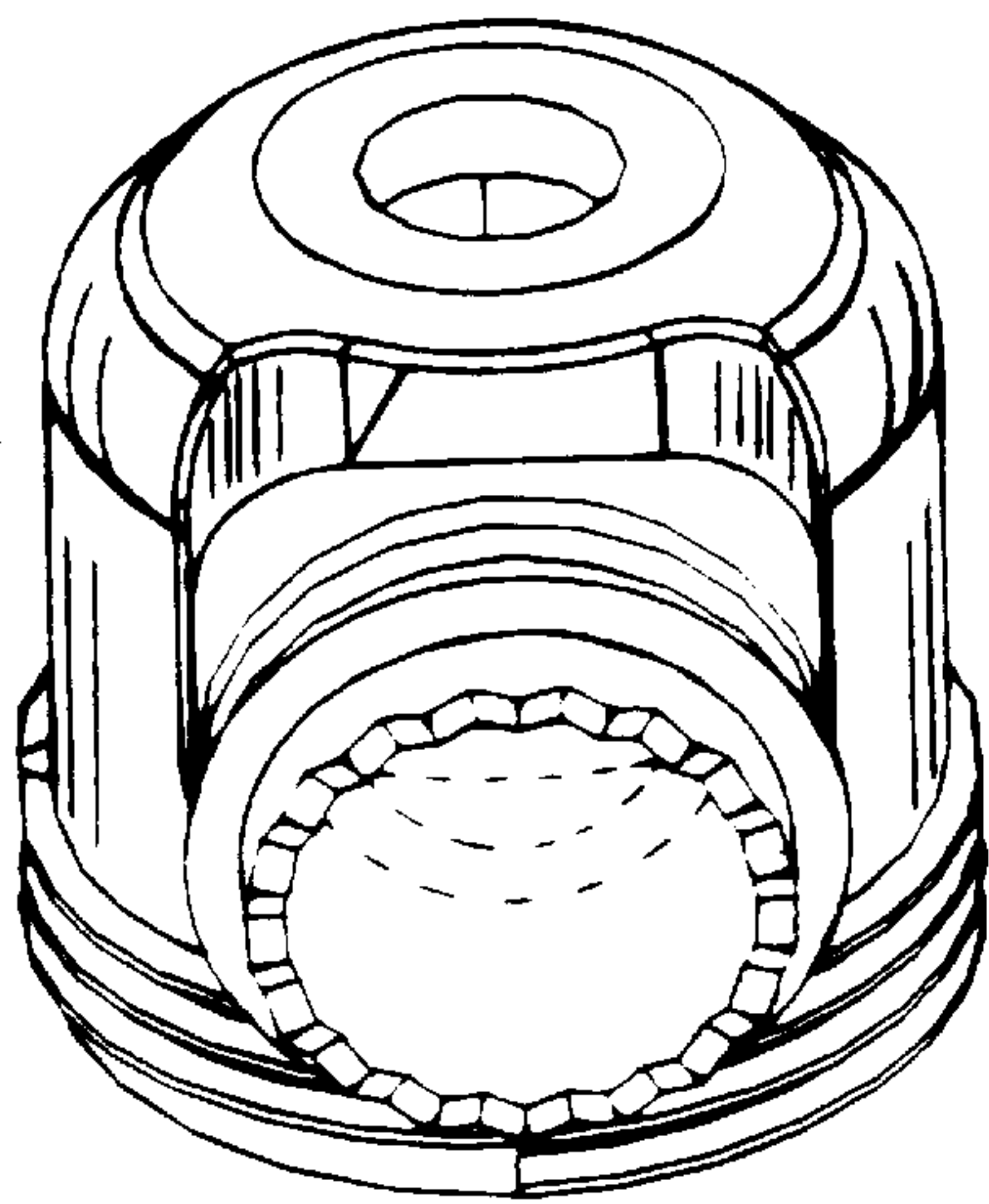


FIG. 2

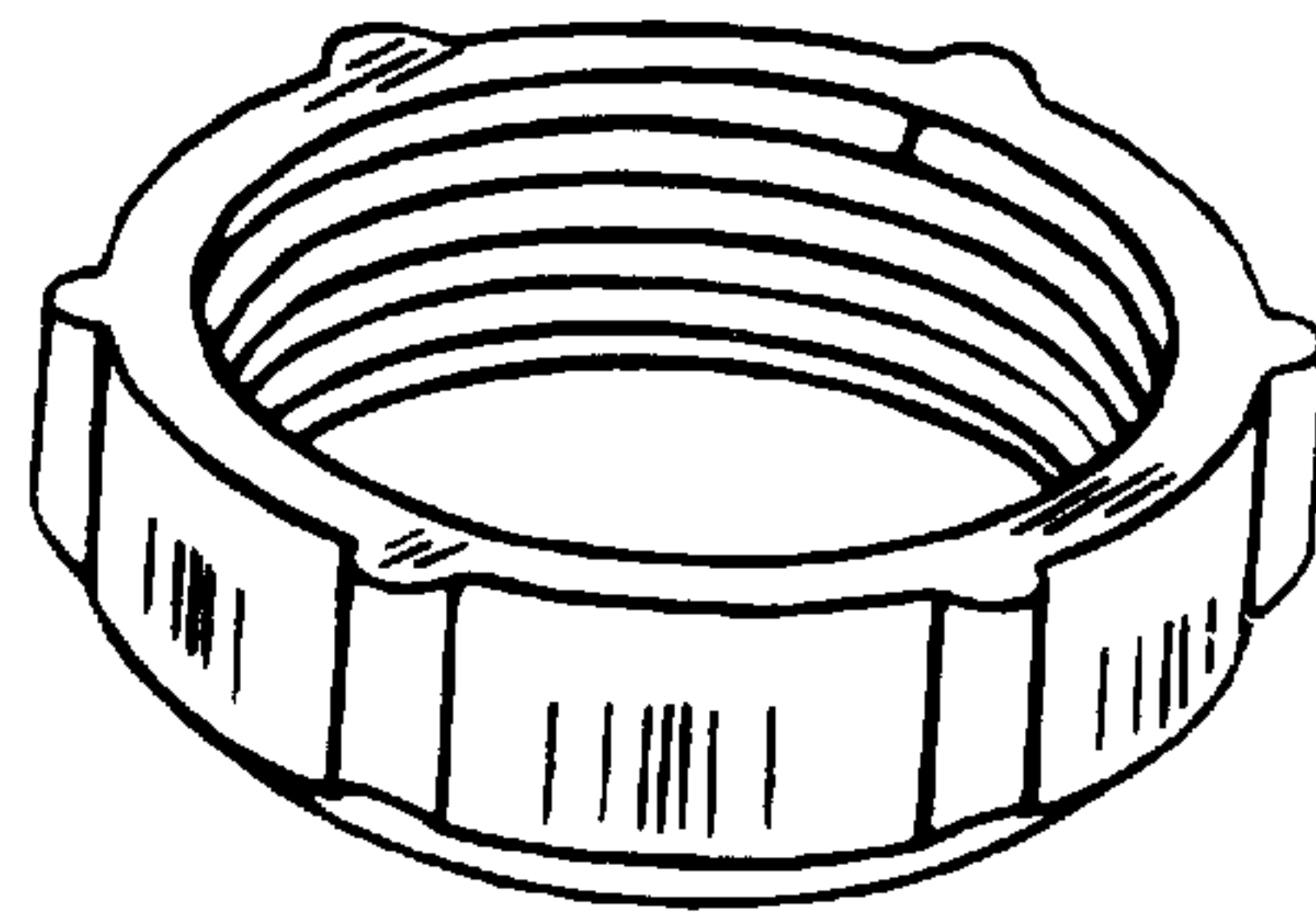


FIG. 3

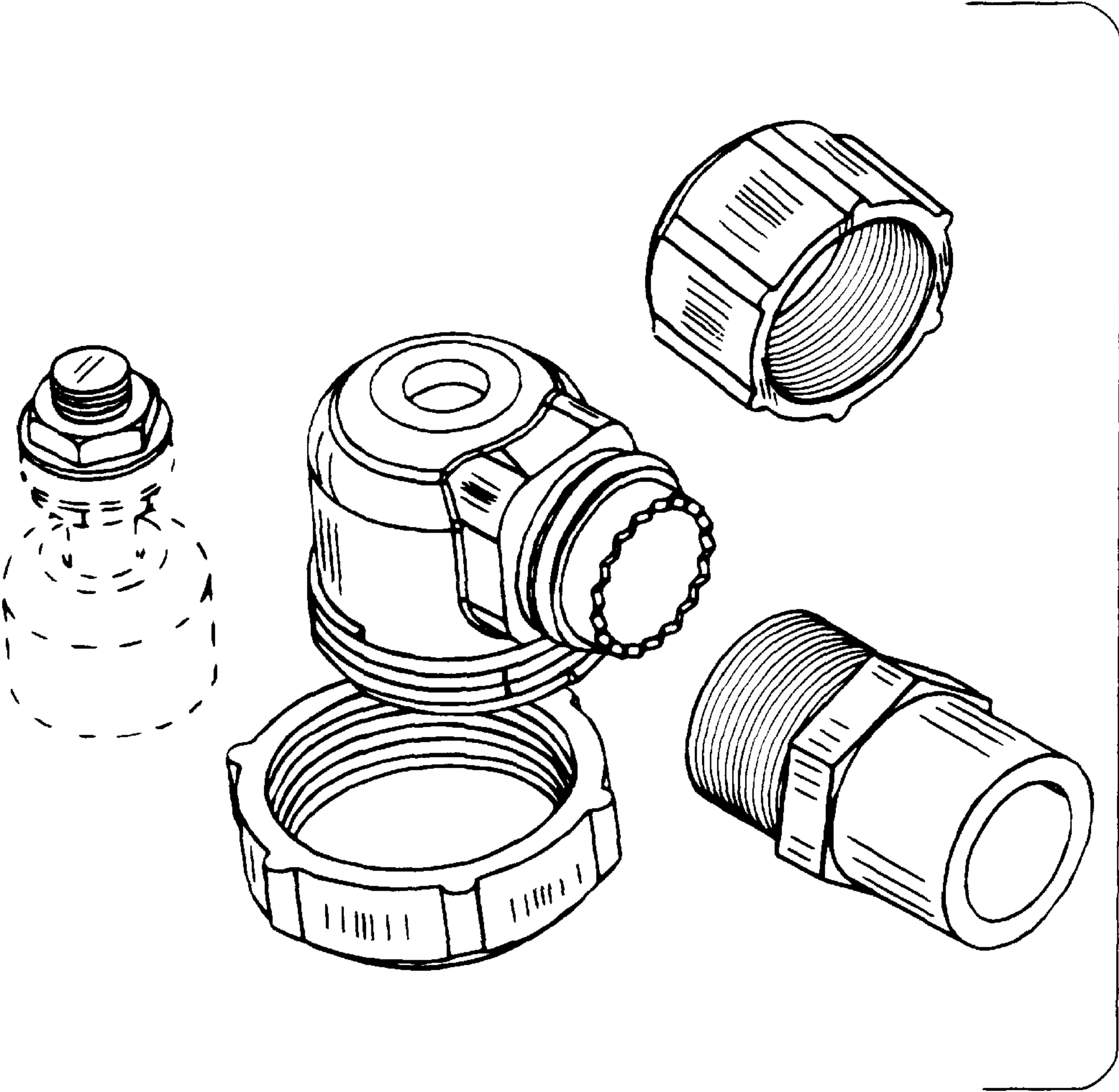


FIG. 4