

US00D527792S

(12) **United States Design Patent**
Hoernig

(10) **Patent No.:** **US D527,792 S**

(45) **Date of Patent:** **** Sep. 5, 2006**

(54) **SHOWER COLUMN**

(75) Inventor: **Victor Hoernig**, Lowell, IN (US)

(73) Assignee: **Brasstech, Inc.**, Santa Ana, CA (US)

(**) Term: **14 Years**

(21) Appl. No.: **29/226,525**

(22) Filed: **Mar. 30, 2005**

(51) **LOC (8) Cl.** **23-01**

(52) **U.S. Cl.** **D23/228; D23/304**

(58) **Field of Classification Search** D23/213,
D23/228, 229-30, 303-4; 239/587.1; 4/615,
4/570

See application file for complete search history.

(56) **References Cited**

U.S. PATENT DOCUMENTS

246,849 A * 9/1881 Wilkams 4/603
D199,513 S * 11/1964 Landell et al. D23/229
6,550,079 B1 * 4/2003 Gransow et al. 4/567

D477,657 S * 7/2003 Toyohara D23/304
D499,471 S * 12/2004 Dimitriadis et al. D23/304

* cited by examiner

Primary Examiner—Robin Webster

(74) *Attorney, Agent, or Firm*—Kwadjo Adusei-Poku;
Lloyd D. Doigan

(57) **CLAIM**

The ornamental design for a shower column, as shown and described.

DESCRIPTION

FIG. 1 is a front perspective view of a shower column showing my design;

FIG. 2 is a front elevational view thereof;

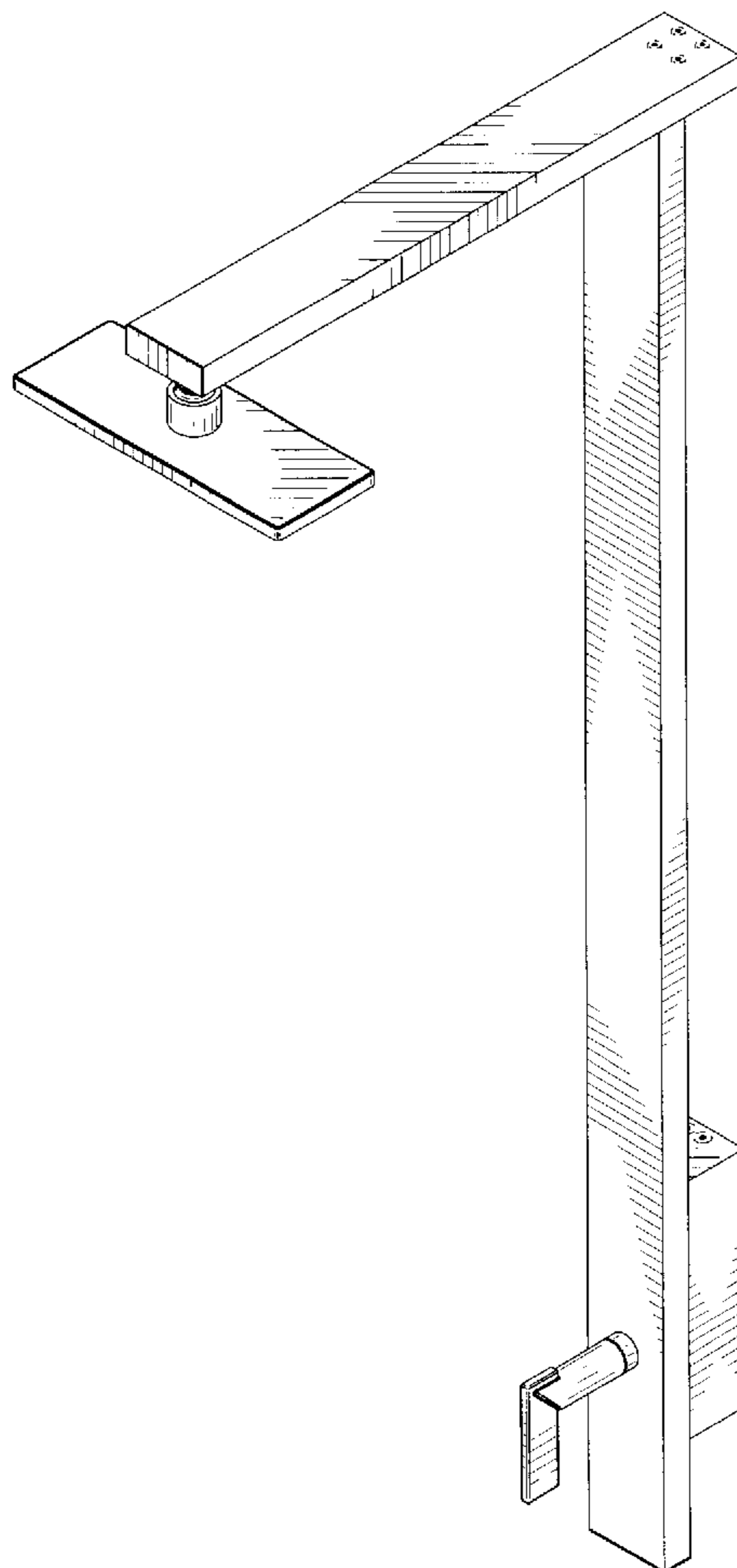
FIG. 3 is a left side elevational view, the right side elevational view being a mirror image thereof;

FIG. 4 is a top plan view thereof; and,

FIG. 5 is a bottom plan view thereof.

The broken line showing is for illustrative purposes only and forms no part of the claimed design.

1 Claim, 5 Drawing Sheets



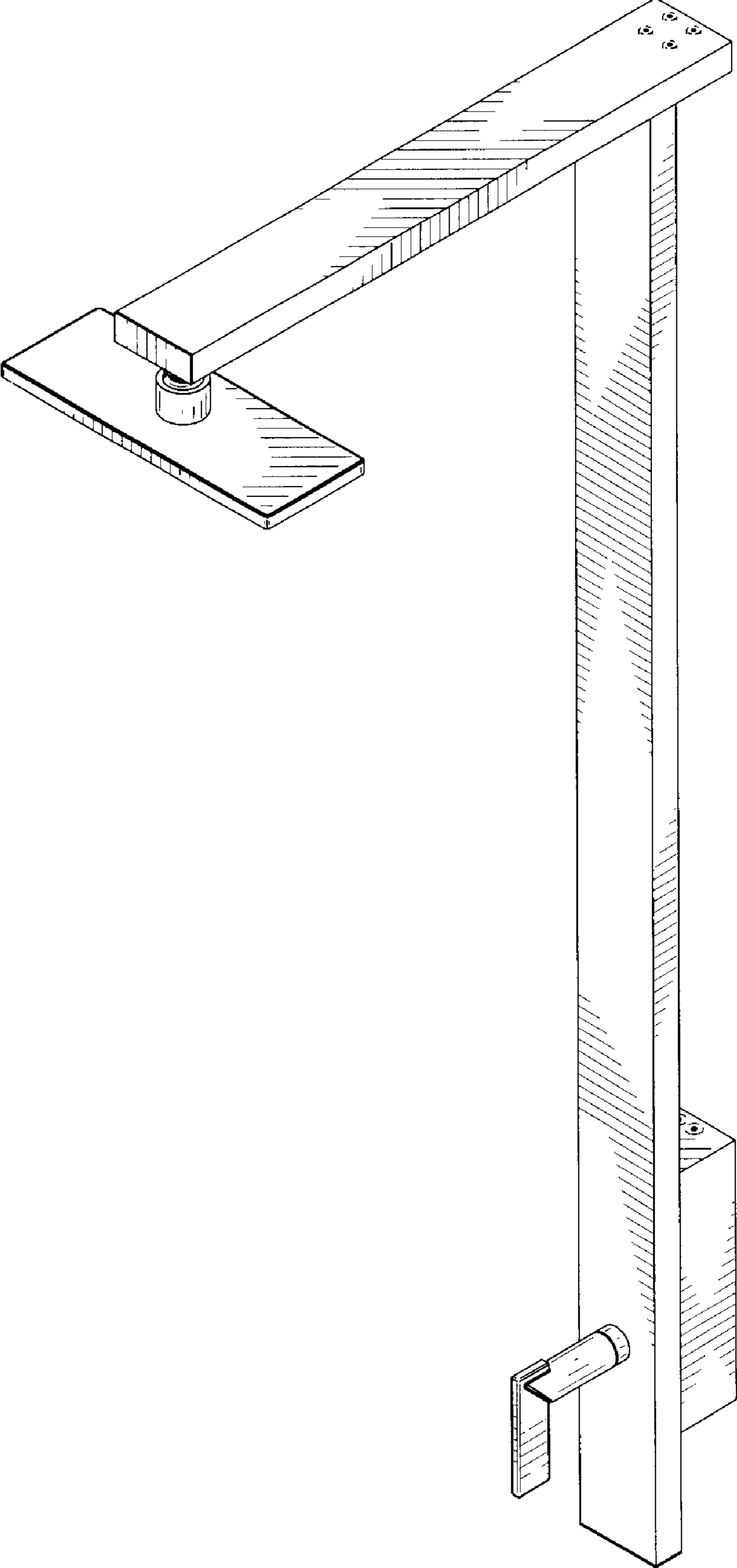


FIG. 1

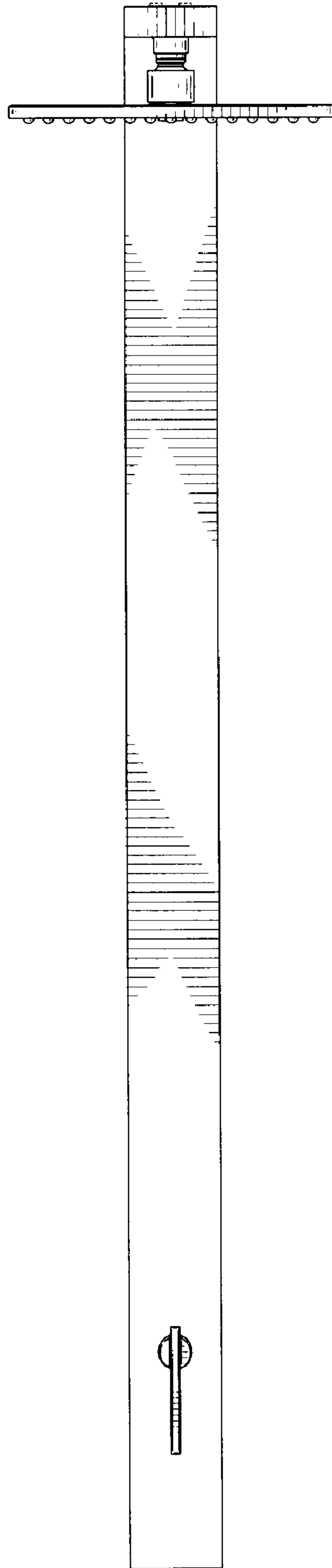


FIG. 2

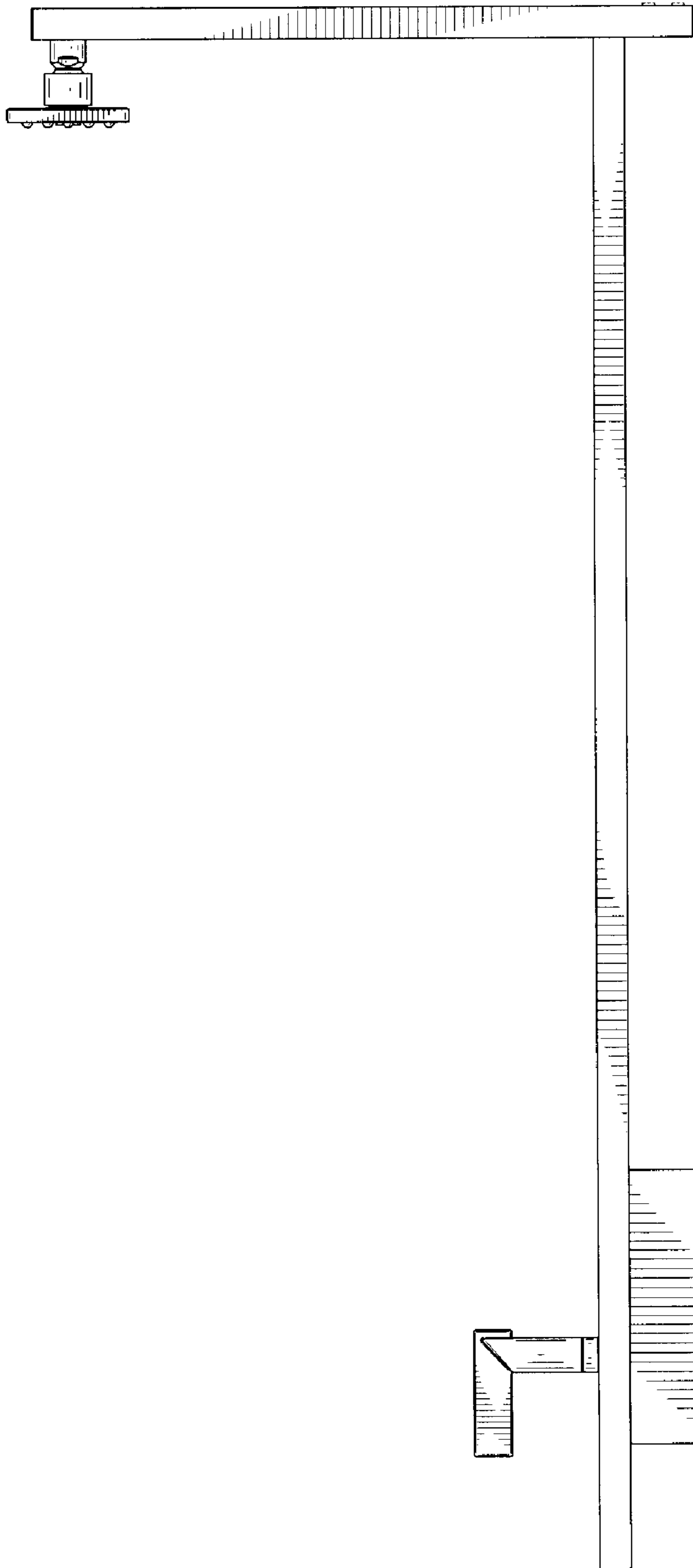


FIG. 3

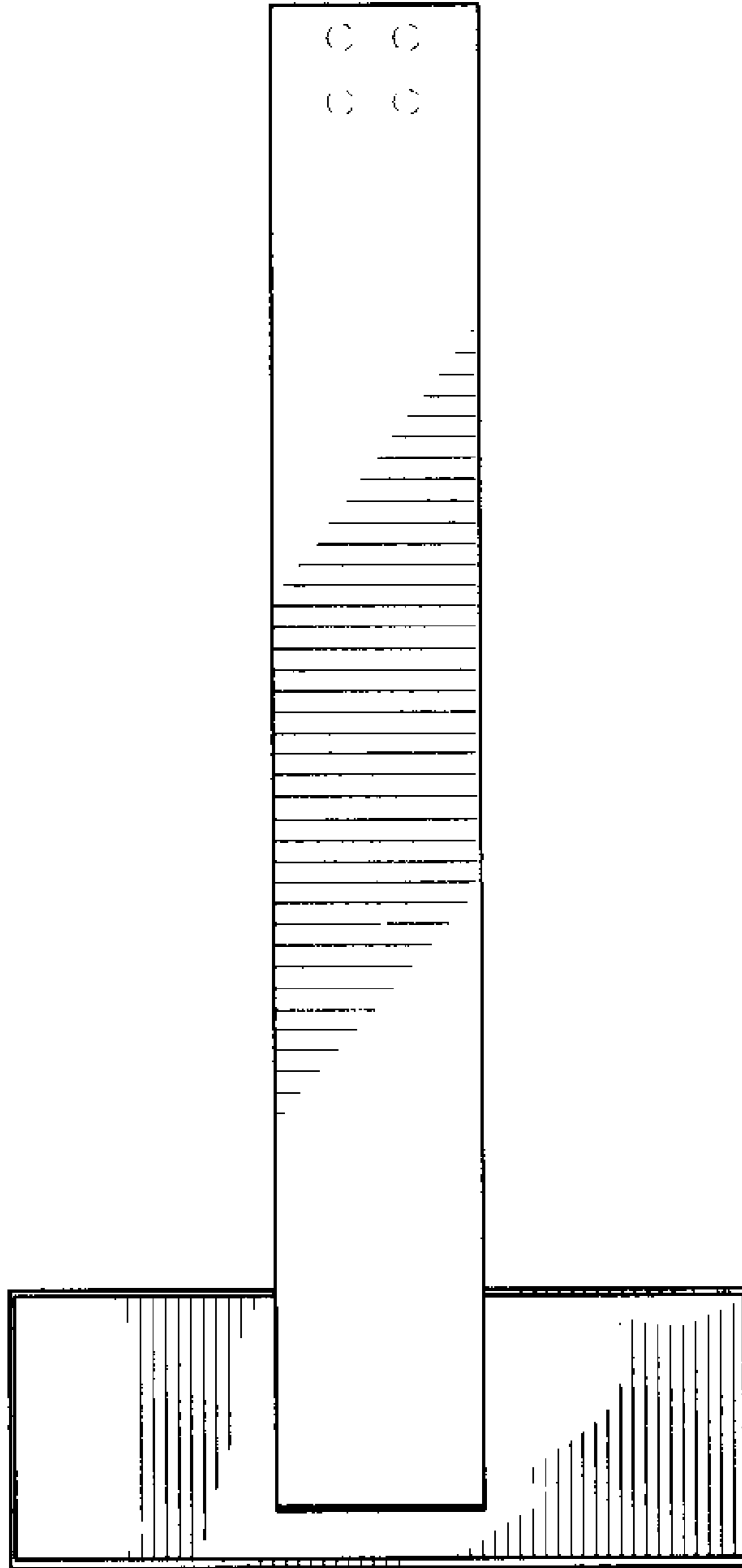


FIG. 4

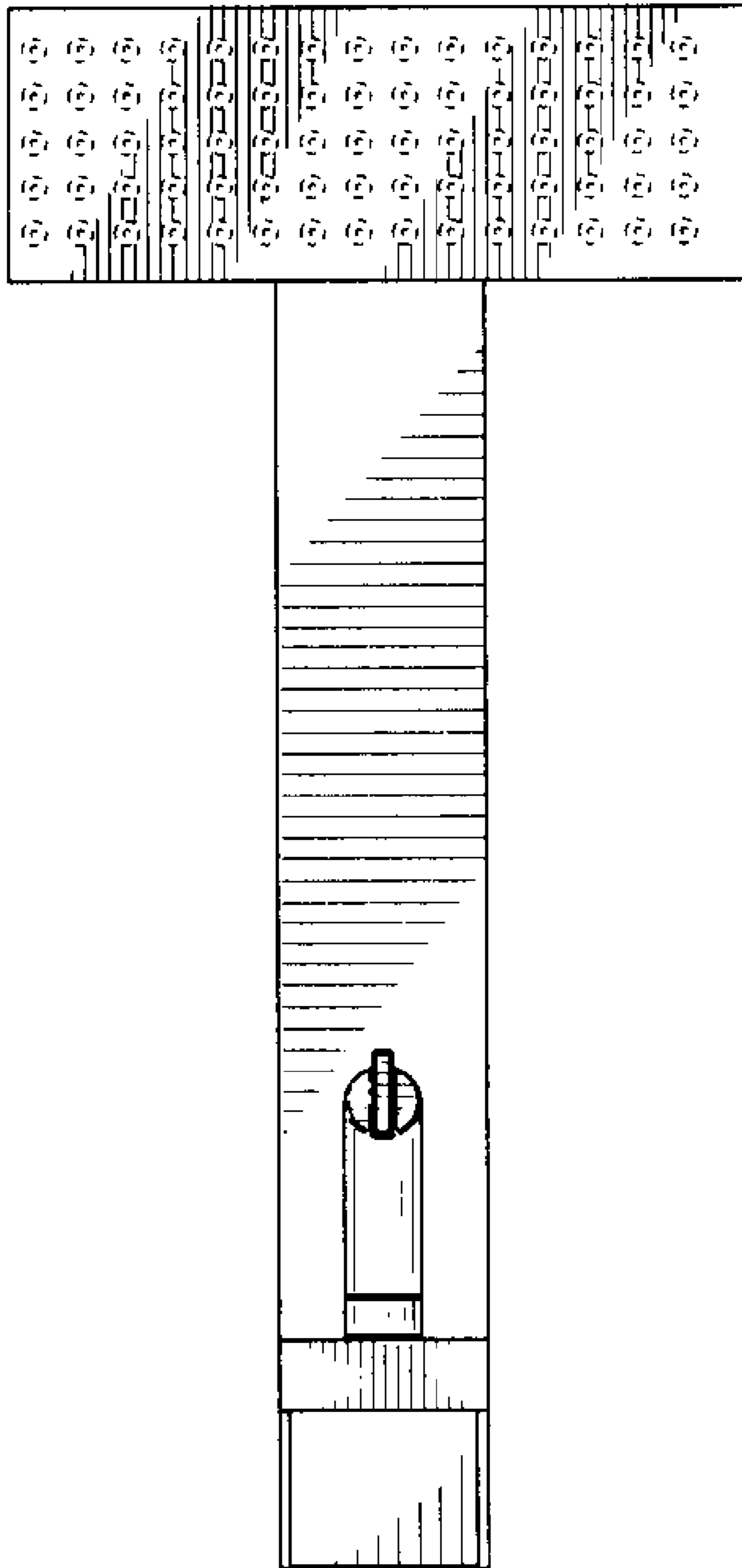


FIG. 5