

US00D527791S

(12) **United States Design Patent**
Onofrio et al.

(10) **Patent No.:** **US D527,791 S**

(45) **Date of Patent:** **** Sep. 5, 2006**

(54) **SPRINKLER**

(75) Inventors: **Travis L. Onofrio**, Whittier, CA (US);
Samuel C. Walker, Green Valley, AZ
(US)

(73) Assignee: **Rain Bird Corporation**, Glendora, CA
(US)

(**) Term: **14 Years**

(21) Appl. No.: **29/227,557**

(22) Filed: **Apr. 13, 2005**

| | | |
|-------------|---------|-----------------|
| 4,932,590 A | 6/1990 | Hunter |
| 4,971,250 A | 11/1990 | Hunter |
| 4,986,474 A | 1/1991 | Schisler et al. |
| 5,007,586 A | 4/1991 | Cohen |
| 5,014,372 A | 5/1991 | Thrasher et al. |
| 5,058,806 A | 10/1991 | Rupar |
| RE33,823 E | 2/1992 | Nelson et al. |
| 5,224,653 A | 7/1993 | Nelson et al. |
| 5,288,022 A | 2/1994 | Sesser |
| 5,297,737 A | 3/1994 | Davisson |
| 5,353,989 A | 10/1994 | Drechsel |
| 5,372,307 A | 12/1994 | Sesser |
| 5,377,914 A | 1/1995 | Christen |

(Continued)

Related U.S. Application Data

(63) Continuation-in-part of application No. 10/971,858, filed on Oct. 22, 2004, which is a continuation-in-part of application No. 10/310,584, filed on Dec. 4, 2002, now Pat. No. 6,814,304.

(51) **LOC (8) Cl.** **23-01**

(52) **U.S. Cl.** **D23/214**

(58) **Field of Classification Search** D23/213,
D23/214-217; 239/201-206, 222.17
See application file for complete search history.

(56) **References Cited**

U.S. PATENT DOCUMENTS

| | | | |
|-------------|-----------|---------------|---------|
| 2,108,787 A | 2/1938 | Coles et al. | |
| 3,580,507 A | 5/1971 | Beamer | |
| 3,592,388 A | 7/1971 | Friedlander | |
| 3,888,417 A | 6/1975 | Harmon | |
| 4,265,403 A | 5/1981 | Bonetti | |
| 4,440,345 A | 4/1984 | Figwer et al. | |
| D276,453 S | * 11/1984 | DeVroom | D23/214 |
| 4,637,549 A | 1/1987 | Schwartzman | |
| 4,660,766 A | 4/1987 | Nelson et al. | |
| 4,681,259 A | 7/1987 | Troup et al. | |
| 4,687,139 A | 8/1987 | Lockwood | |
| D299,156 S | * 12/1988 | Heren | D23/214 |
| 4,796,811 A | 1/1989 | Davisson | |
| 4,815,662 A | 3/1989 | Hunter | |
| 4,886,211 A | 12/1989 | Cohen | |
| 4,898,332 A | 2/1990 | Hunter et al. | |

FOREIGN PATENT DOCUMENTS

JP 05-329404 12/1993

Primary Examiner—Robin Webster

(74) *Attorney, Agent, or Firm*—Fitch, Even, Tabin & Flannery

(57) **CLAIM**

The ornamental design for a sprinkler, as shown and described.

DESCRIPTION

FIG. 1 is a perspective view of a sprinkler of our new design; FIG. 2 is a first side elevational view of the sprinkler of FIG. 1 thereof;

FIG. 3 is a second side elevational view of the sprinkler of FIG. 1 thereof;

FIG. 4 is a third side elevational view of the sprinkler of FIG. 1 thereof;

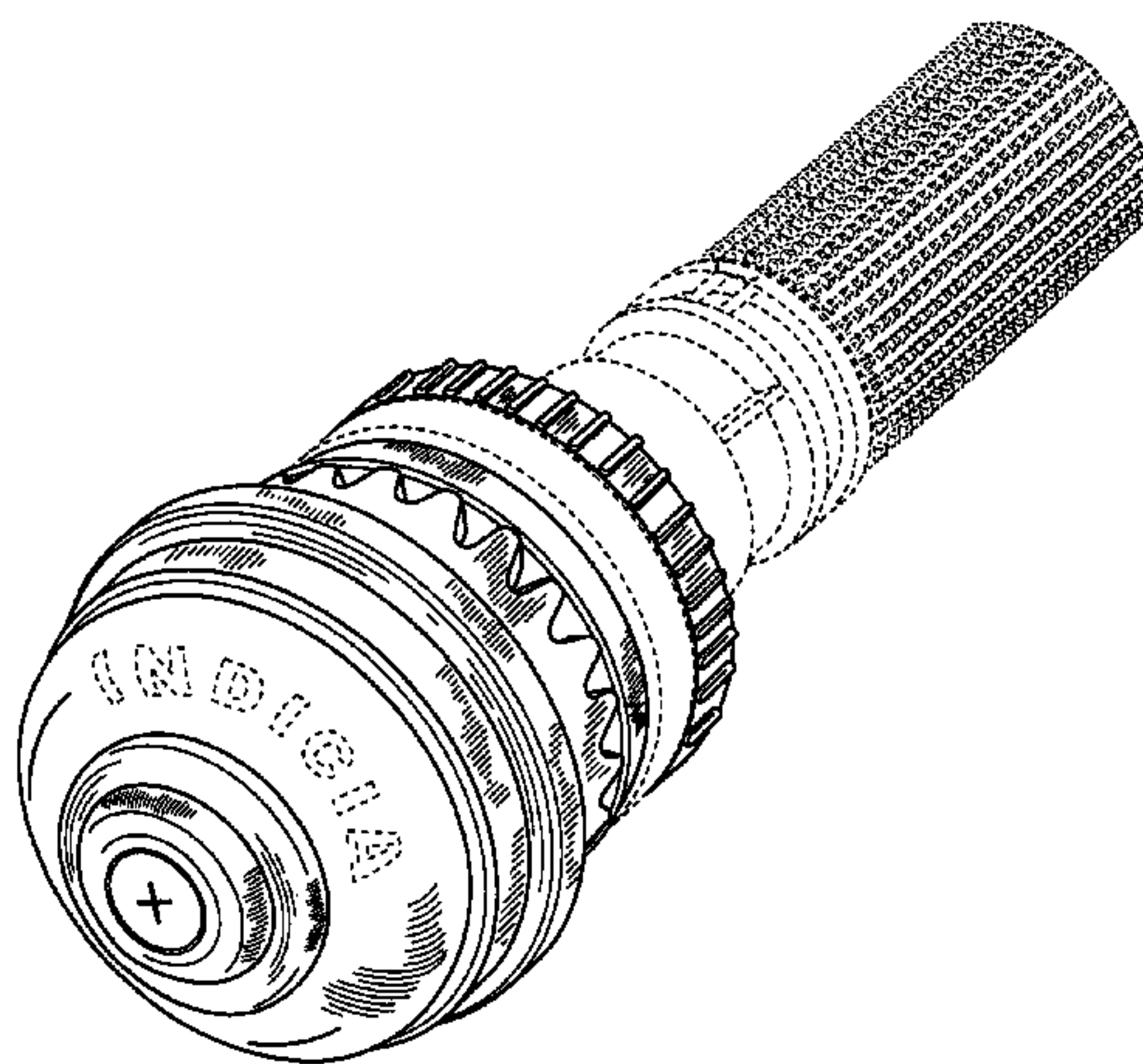
FIG. 5 is a fourth side elevational view of the sprinkler of FIG. 1 thereof;

FIG. 6 is a top plan view of the sprinkler of FIG. 1 thereof; and,

FIG. 7 is a bottom plan view of the sprinkler of FIG. 1 thereof.

Portions shown in broken lines in FIGS. 1-7 are for illustrative purposes only and form no part of the claimed design.

1 Claim, 6 Drawing Sheets



US D527,791 S

Page 2

U.S. PATENT DOCUMENTS

| | | | | | | | | |
|-----------|---|-----------|-----------|---------------|-----------|----|---------|--------------------|
| 5,476,223 | A | 12/1995 | Drechsel | | 6,135,364 | A | 10/2000 | Nickish |
| 5,671,886 | A | 9/1997 | Sesser | | 6,193,169 | B1 | 2/2001 | Steinhilber et al. |
| D388,502 | S | * 12/1997 | Kah, III | D23/214 | 6,244,521 | B1 | 6/2001 | Sesser |
| 5,730,365 | A | 3/1998 | Messinger | | 6,499,672 | B1 | 12/2002 | Sesser |
| 5,845,849 | A | 12/1998 | Mitzlaff | | 6,651,905 | B1 | 11/2003 | Sesser et al. |
| 5,971,297 | A | 10/1999 | Sesser | | 6,814,304 | B1 | 11/2004 | Onofrio |
| 5,988,523 | A | 11/1999 | Scott | | | | | |

* cited by examiner

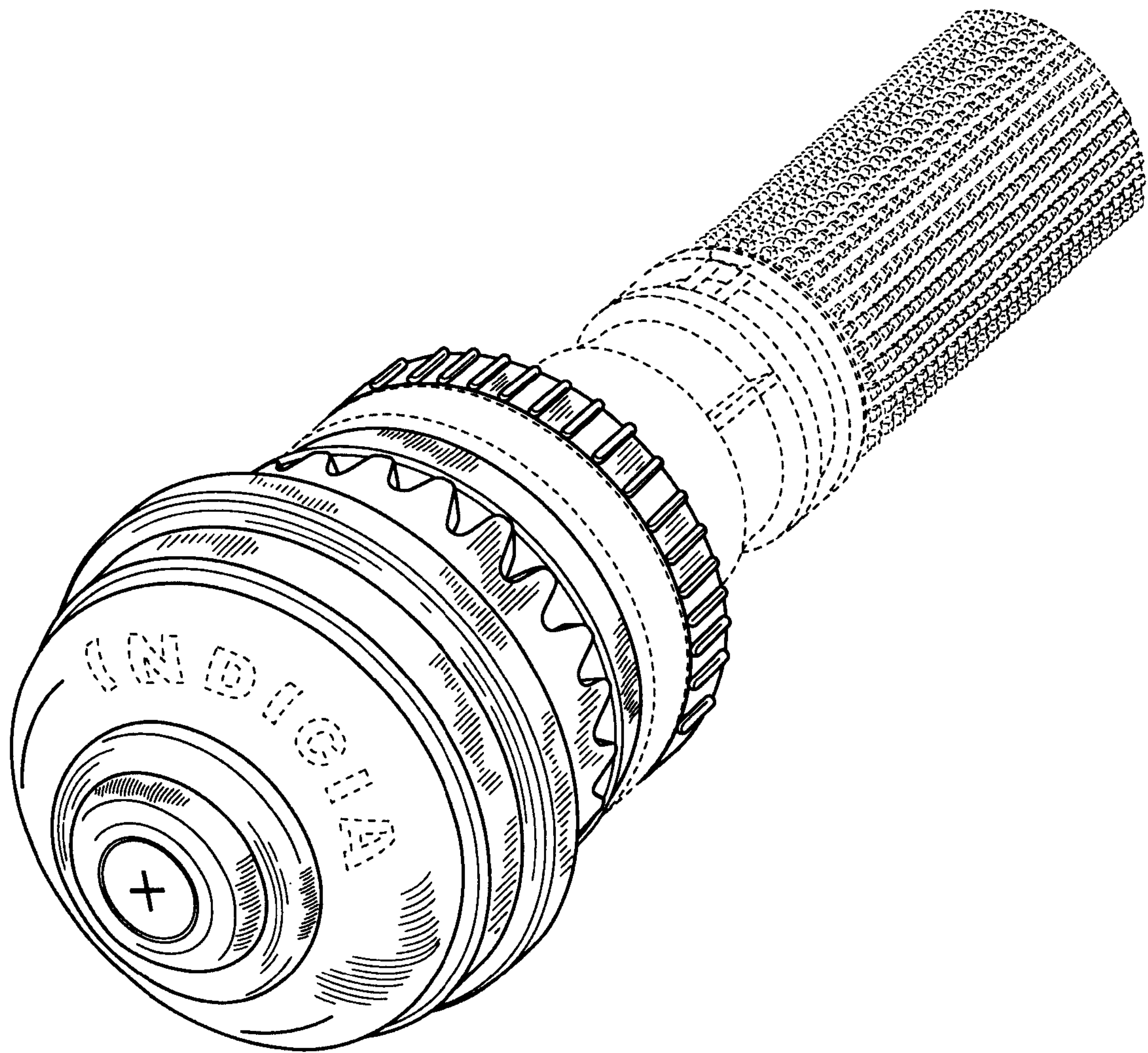


FIG. 1

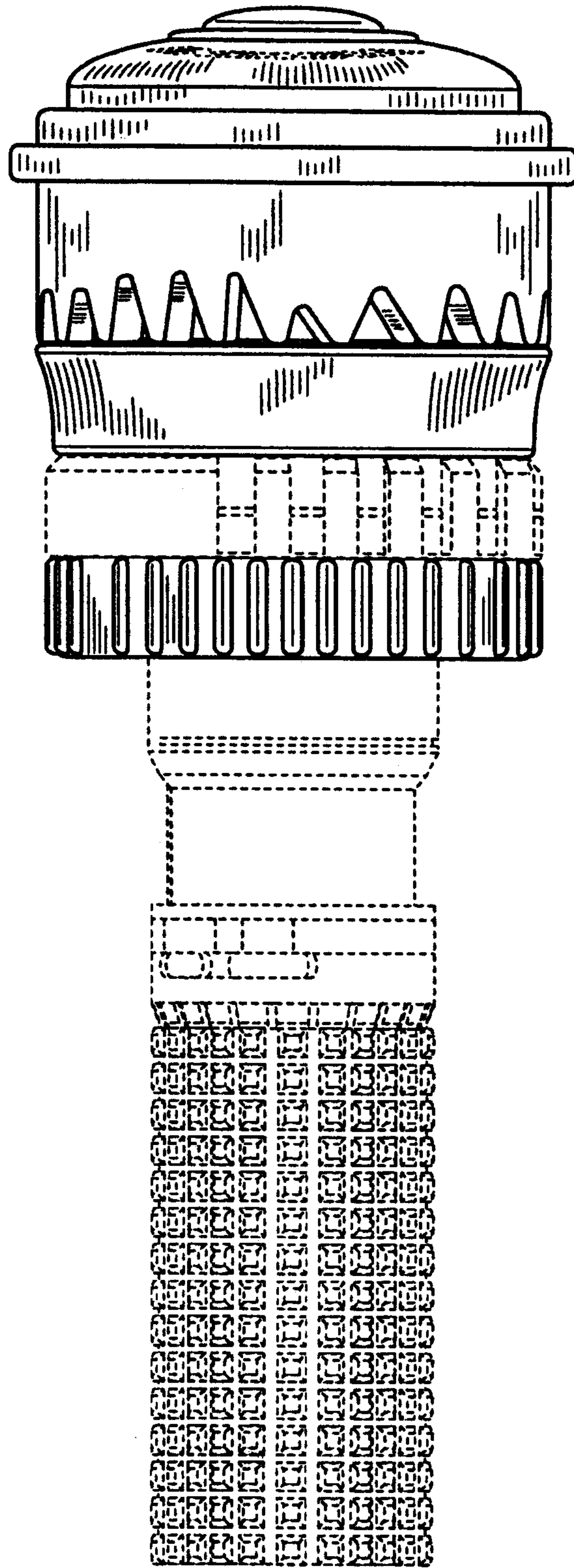


FIG. 2

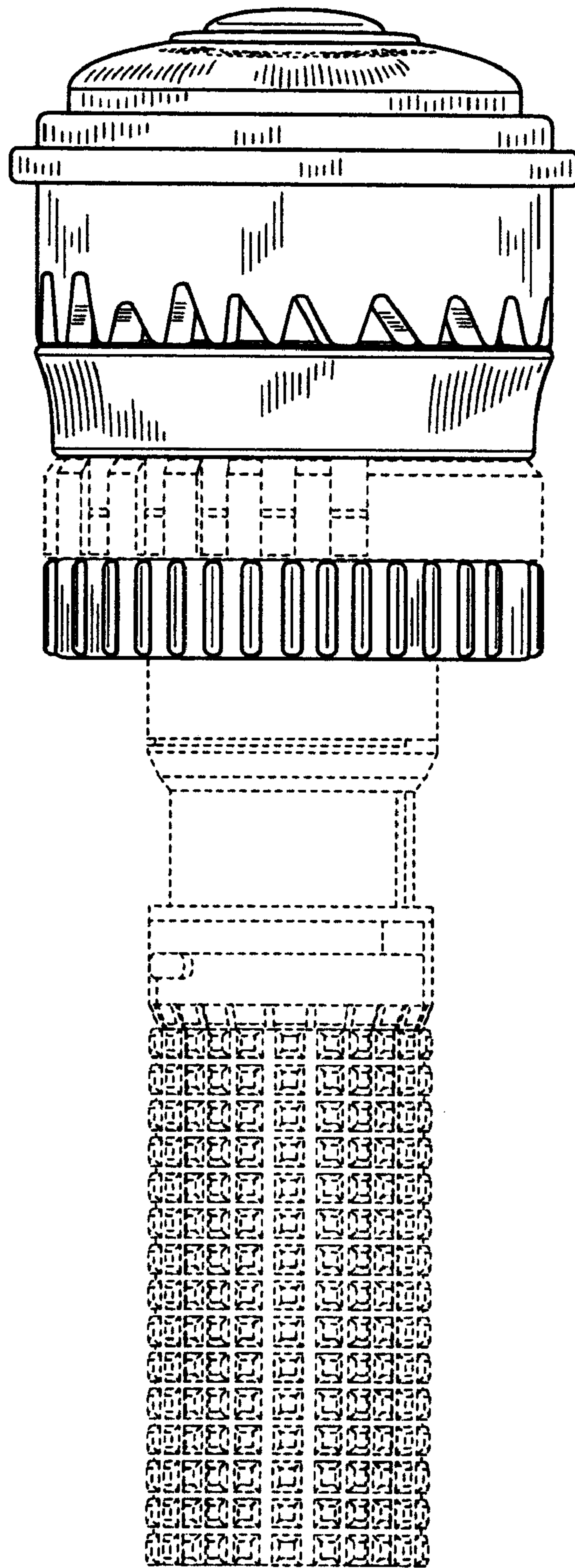


FIG. 3

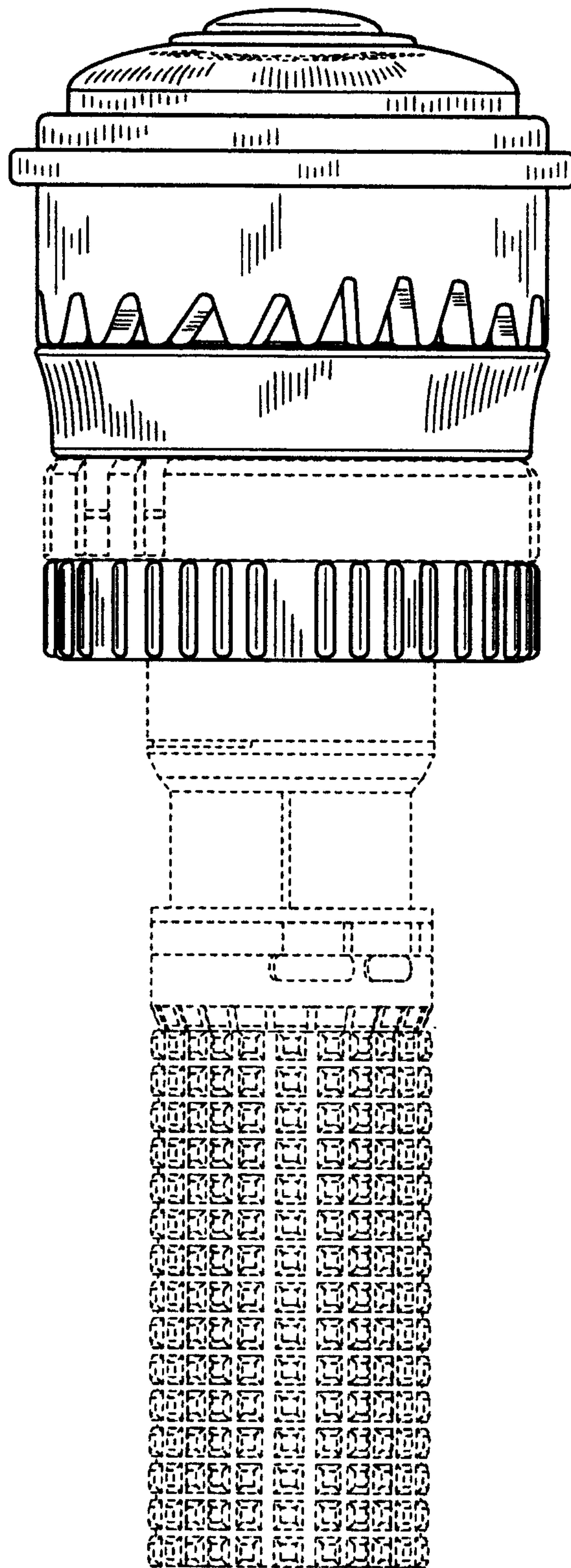


FIG. 4

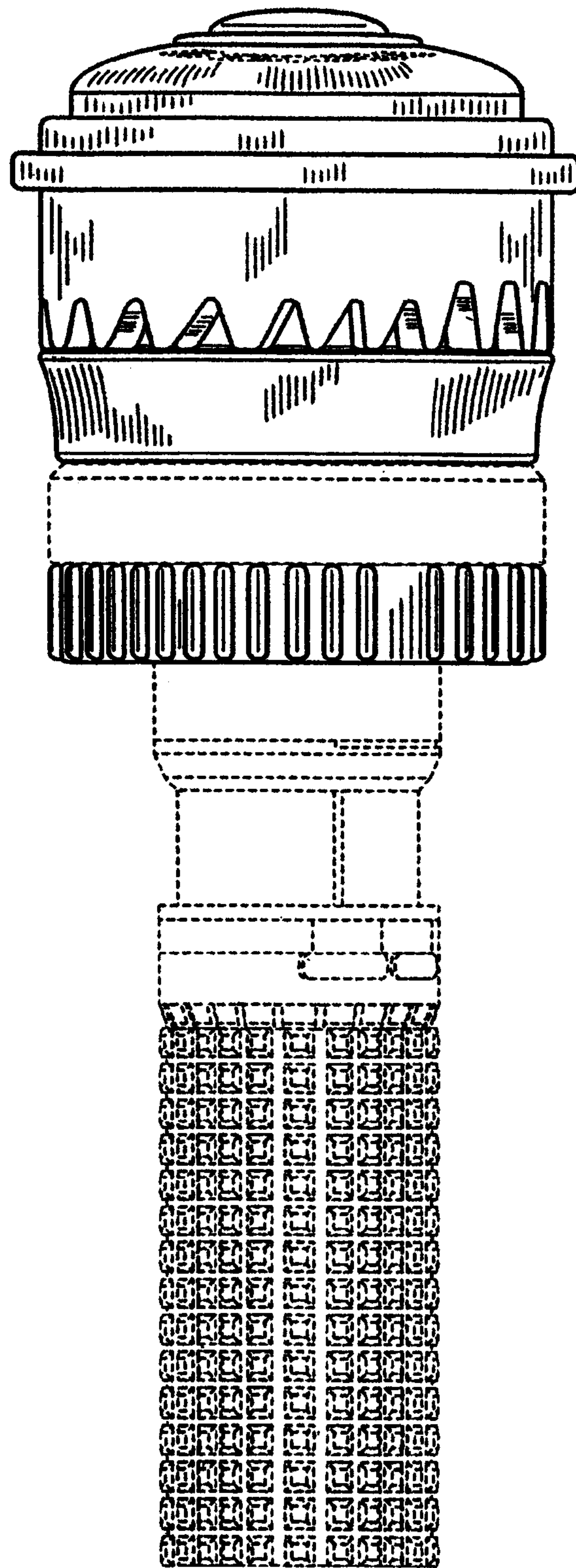


FIG. 5



FIG. 6

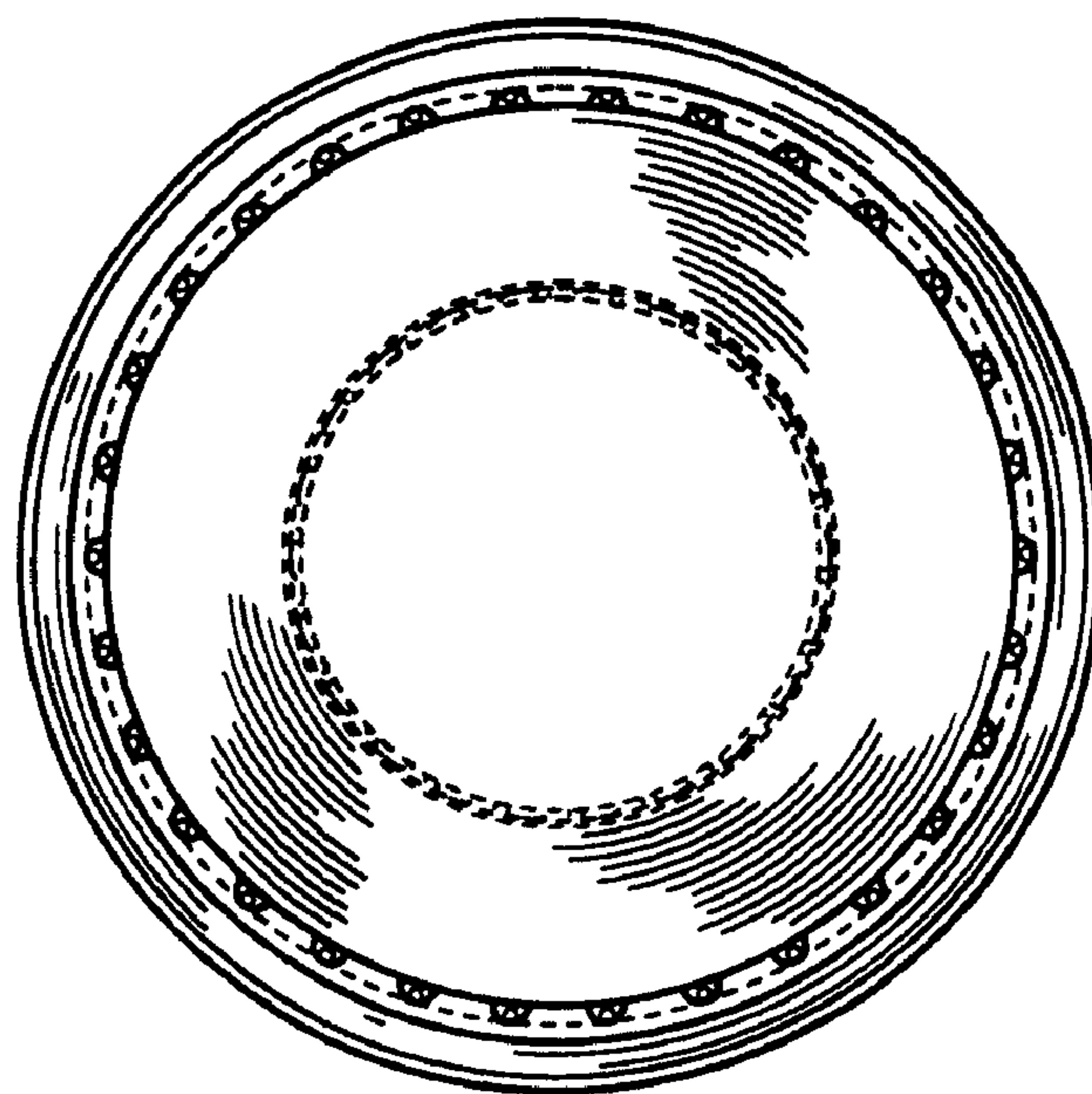


FIG. 7