



US00D527789S

(12) **United States Design Patent**  
**Thompson et al.**

(10) **Patent No.:** **US D527,789 S**  
(45) **Date of Patent:** **\*\* Sep. 5, 2006**

(54) **SPRAYER TANK**

(75) Inventors: **Dennis G. Thompson**, Saskatoon (CA);  
**Dennis W. Chahley**, Martensville (CA)

(73) Assignee: **CNH Canada, Ltd.**, Racine, WI (US)

(\*\*) Term: **14 Years**

(21) Appl. No.: **29/230,067**

(22) Filed: **May 16, 2005**

(51) **LOC (8) Cl.** ..... **23-01**

(52) **U.S. Cl.** ..... **D23/202**

(58) **Field of Classification Search** ..... D23/202,  
D23/205; 220/4.12, 4.14, 562; 239/302, 308,  
239/373, 337; 222/394, 400.8

See application file for complete search history.

(56) **References Cited**

**U.S. PATENT DOCUMENTS**

3,129,014 A	4/1964	Hutchison et al.
4,214,767 A	7/1980	Davies, III
4,232,874 A	11/1980	Ystebo
4,234,050 A	11/1980	Condon
4,401,309 A	8/1983	Matsuzaki et al.
4,553,681 A	11/1985	Héaumé
4,741,362 A	5/1988	Smola
5,423,702 A *	6/1995	Butler ..... 440/88 R

D430,919 S *	9/2000	Claussen	.....	D23/202
6,179,145 B1 *	1/2001	Roth	.....	220/4.14
6,382,172 B1	5/2002	Kobayashi et al.		
D490,138 S *	5/2004	Fritz	.....	D23/202
6,935,529 B1 *	8/2005	Ishikawa et al.	.....	220/562
2003/0116644 A1	6/2003	Thompson et al.		
2004/0040958 A1	3/2004	Hatakeyama		

\* cited by examiner

*Primary Examiner*—Robin Webster

(74) *Attorney, Agent, or Firm*—Rebecca Henkel

(57) **CLAIM**

The ornamental design for a sprayer tank, as shown and described.

**DESCRIPTION**

FIG. 1 is perspective view of a sprayer tank incorporating our new design, viewed from in front of, above, and from the left side of the sprayer tank;

FIG. 2 is a left-side elevation view thereof, with the right side being a mirror image of the left side;

FIG. 3 is a top plan view thereof;

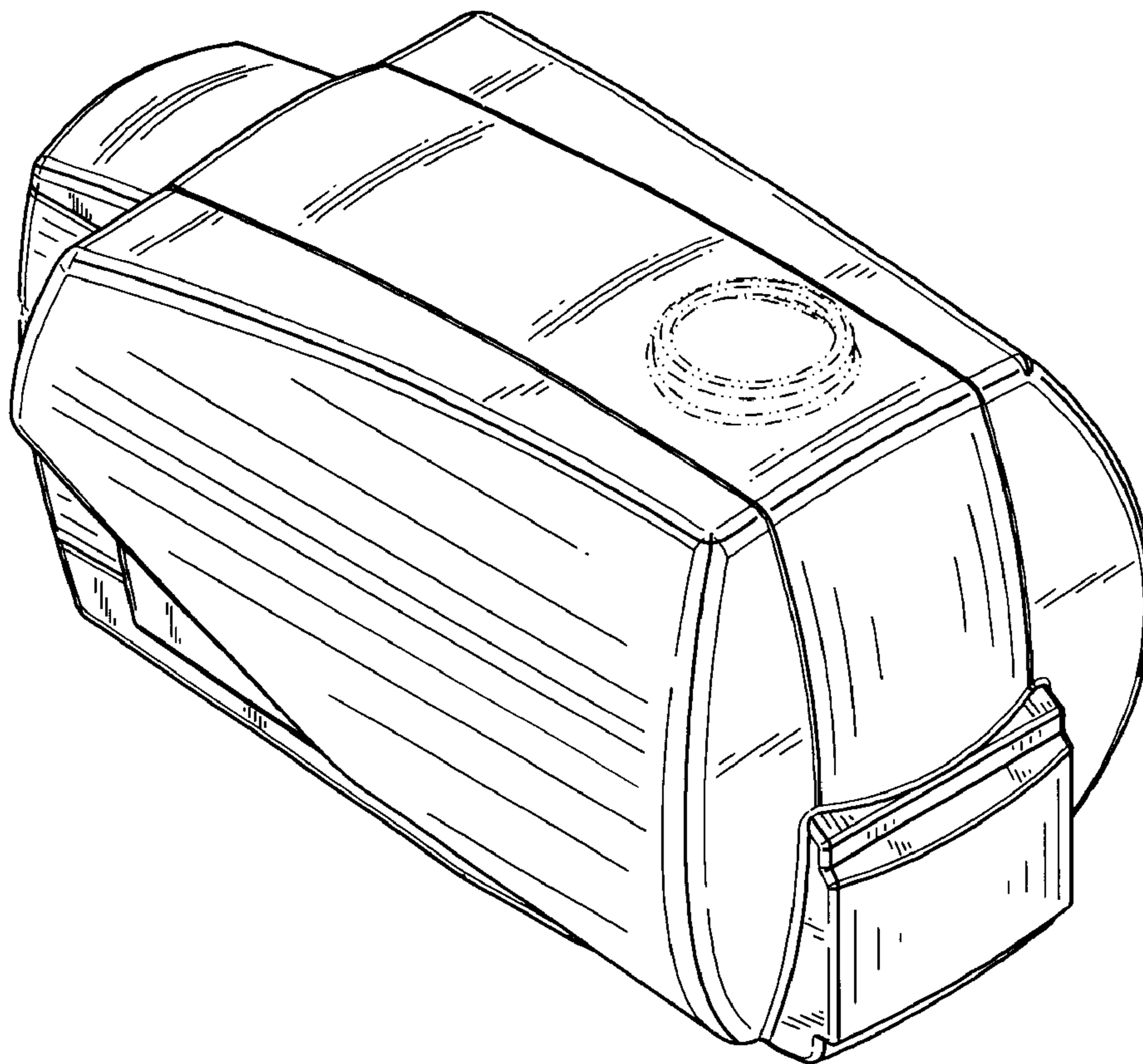
FIG. 4 is a front elevation view thereof;

FIG. 5 is a rear elevation view thereof; and,

FIG. 6 is a bottom plan view thereof.

The broken lines in FIGS. 1–6 are for illustrative purposes only and form no part of the claimed design.

**1 Claim, 3 Drawing Sheets**



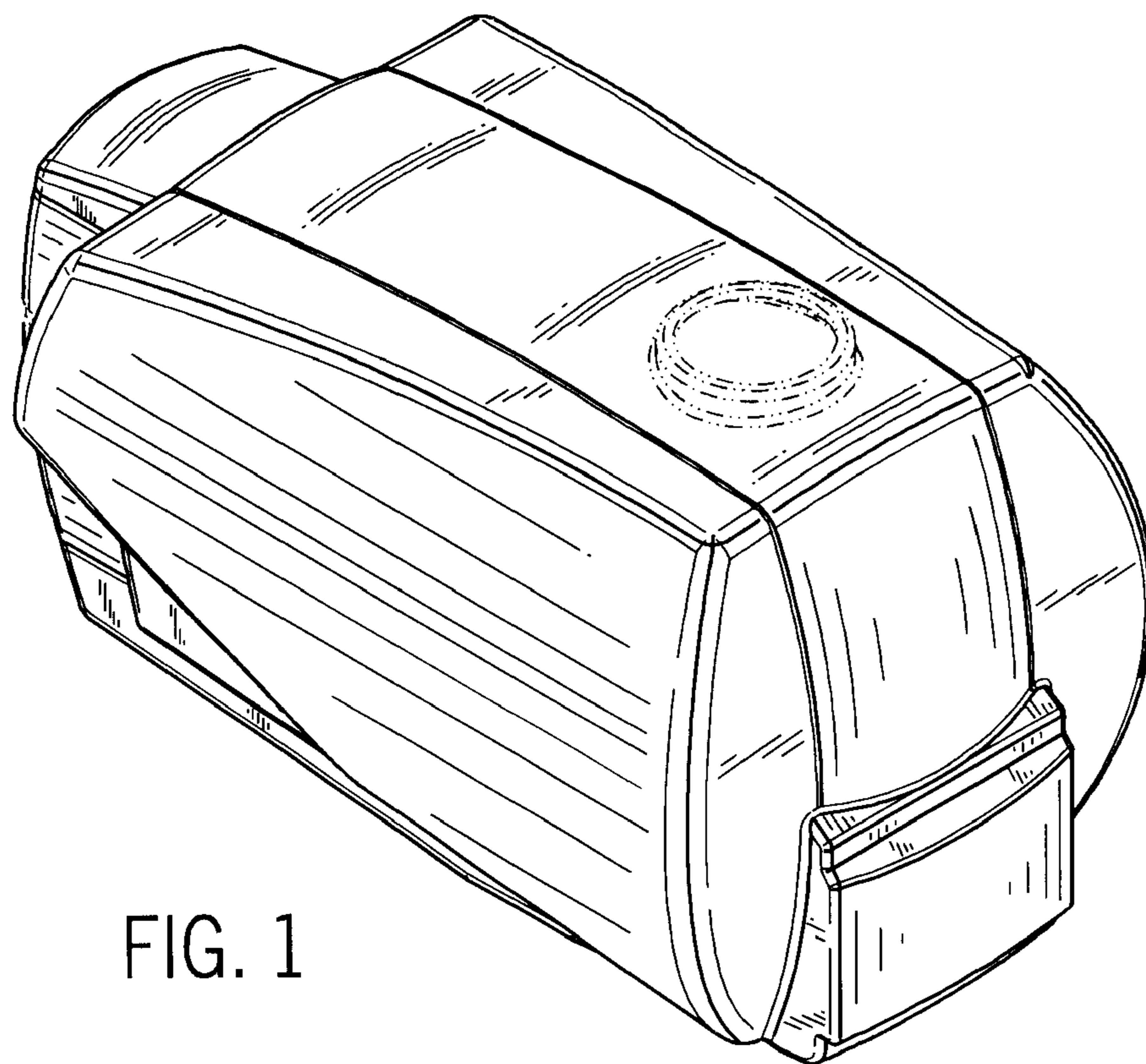


FIG. 1

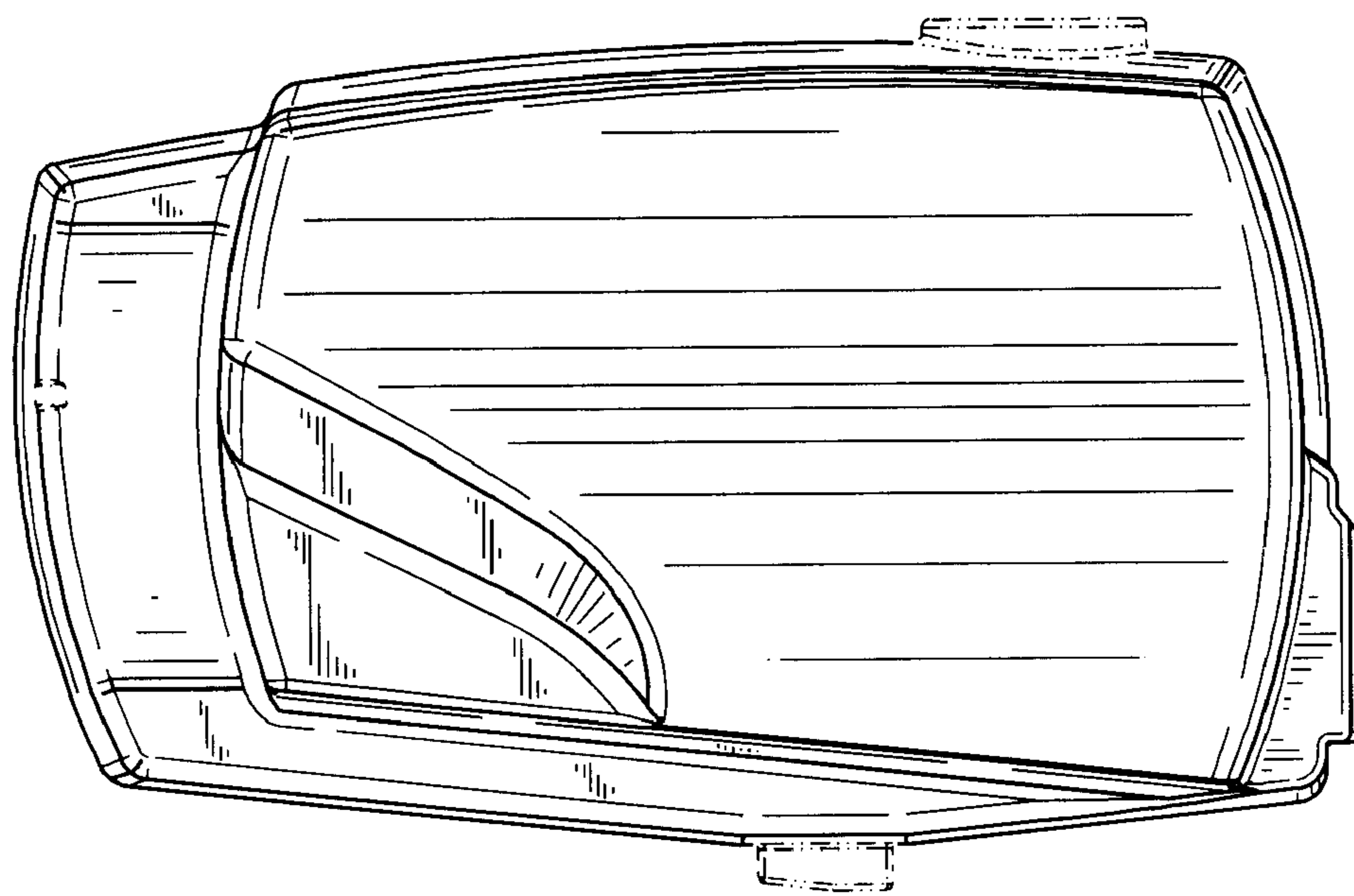


FIG. 2

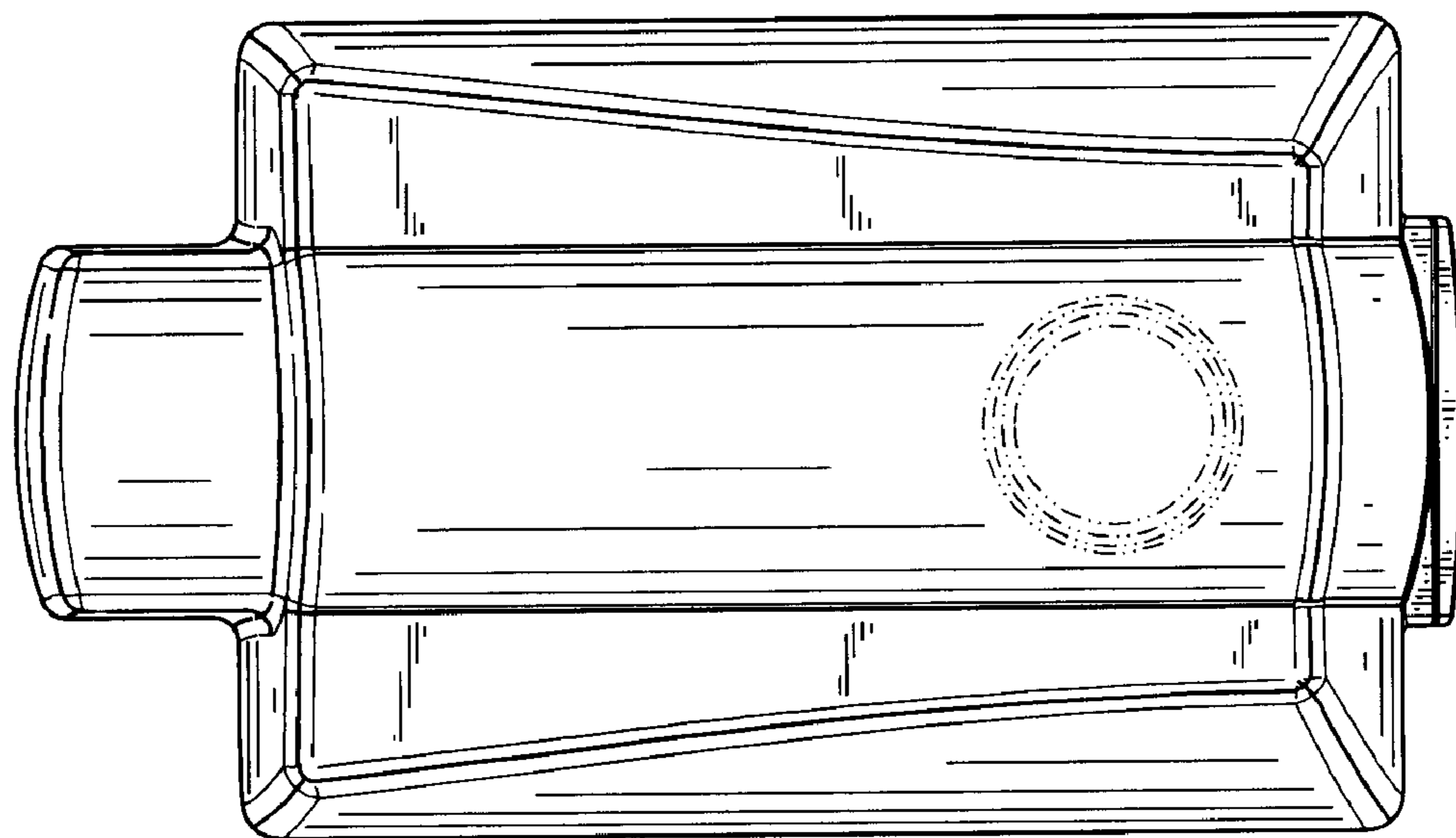


FIG. 3

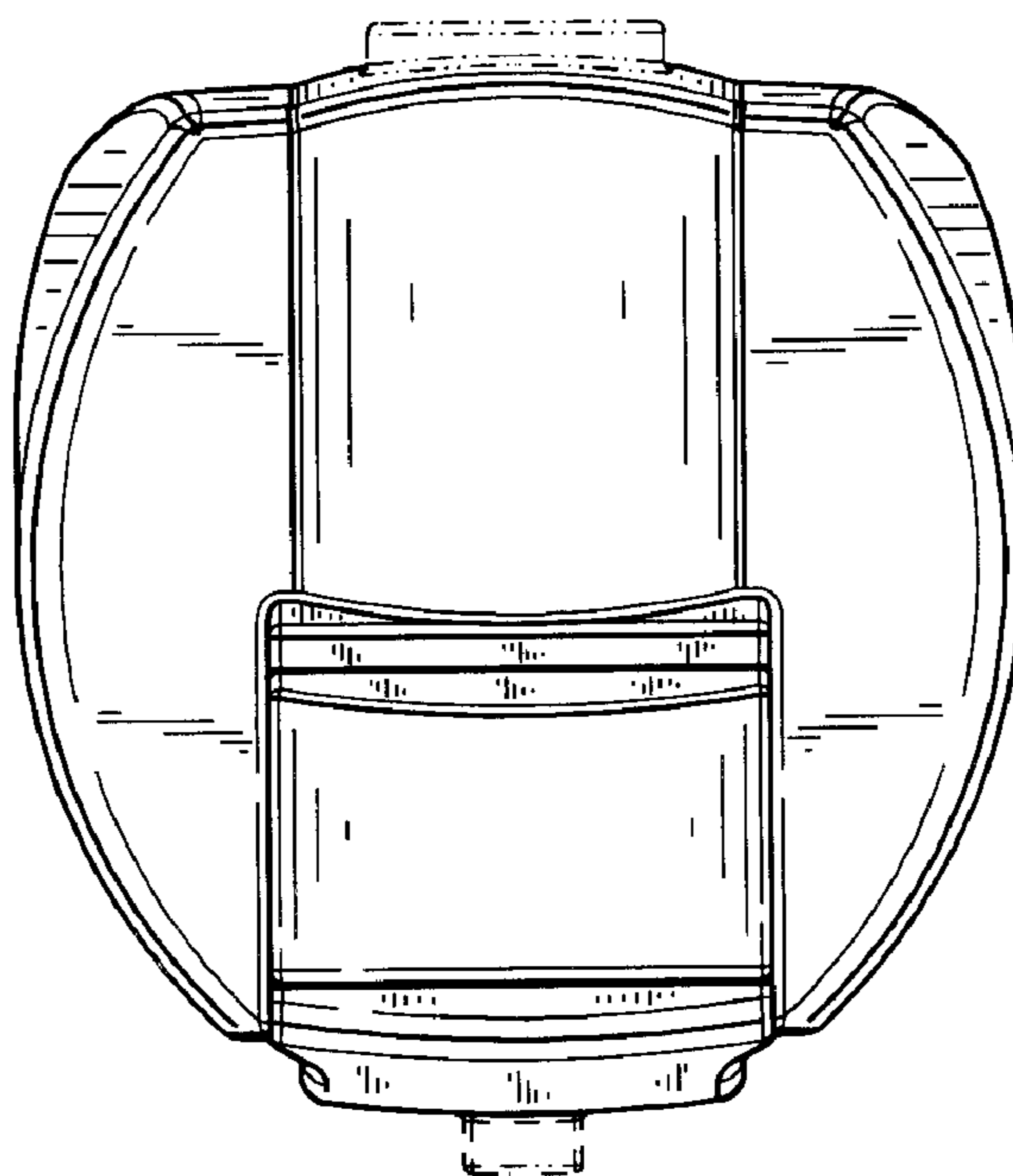


FIG. 4

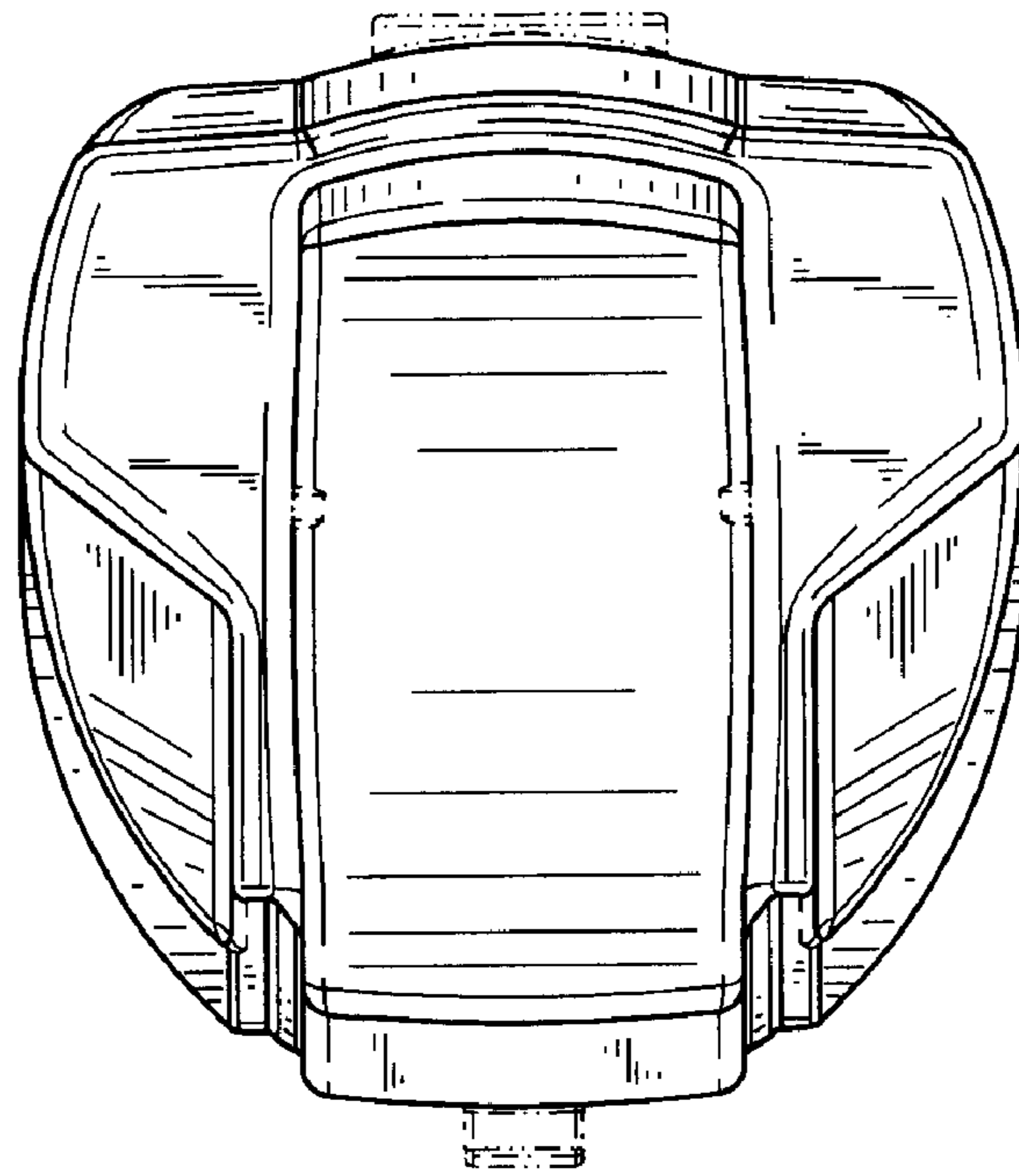


FIG. 5

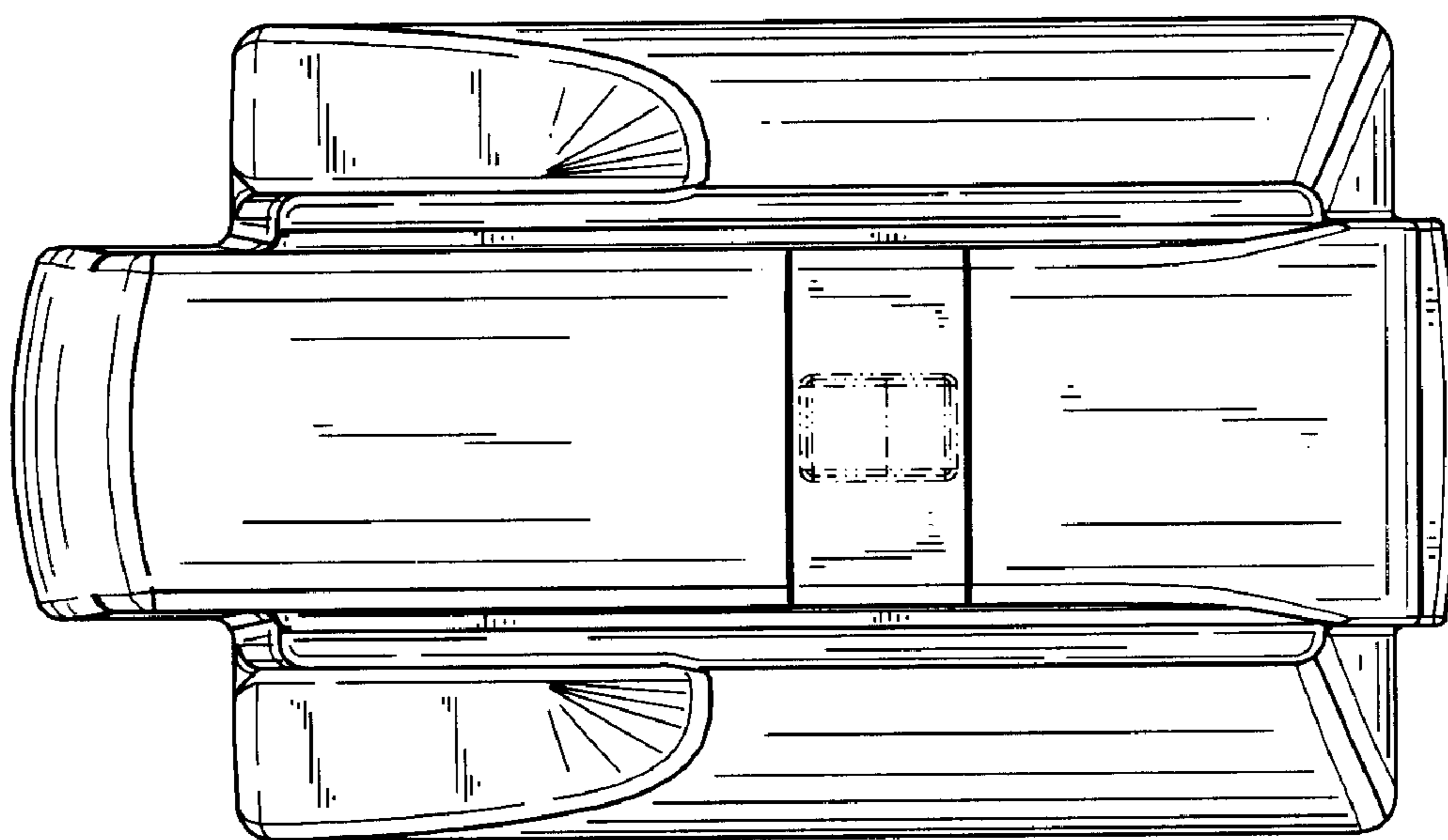


FIG. 6