

US00D527788S

(12) **United States Design Patent**  
**Kellgren**

(10) **Patent No.:** **US D527,788 S**

(45) **Date of Patent:** **\*\* Sep. 5, 2006**

(54) **FOLDABLE BAYONET**

(75) Inventor: **George L. Kellgren**, Cocoa, FL (US)

(73) Assignee: **Kel-Tec CNC Industries, Inc.**, Cocoa, FL (US)

(\*\*) Term: **14 Years**

(21) Appl. No.: **29/217,984**

(22) Filed: **Nov. 24, 2004**

(51) **LOC (8) Cl.** ..... **22-02**

(52) **U.S. Cl.** ..... **D22/118**

(58) **Field of Classification Search** ..... D22/118,  
D22/117; D3/220; 42/53, 86, 26; 30/146,  
30/151

See application file for complete search history.

(56) **References Cited**

**U.S. PATENT DOCUMENTS**

771,728 A	10/1904	Holt	42/53
1,263,440 A	4/1918	Lenardic	42/53
1,269,126 A	6/1918	Sroke	42/90
1,269,790 A	6/1918	Danhoffer	30/146
1,277,521 A	9/1918	Worek	42/90
1,316,664 A	9/1919	Zadorozny	42/90
1,515,751 A	1/1924	Polhemus	42/53
1,511,916 A	3/1924	Sipes	42/53
2,330,637 A	9/1943	Spagnolo	42/86
2,367,212 A	1/1945	Haag	42/26
2,467,270 A	4/1949	Patchett	42/86
3,613,283 A	10/1971	Mozey, Jr.	42/86
D302,199 S *	7/1989	Newman et al.	D22/118
D369,673 S *	5/1996	Morton et al.	D3/220
6,209,250 B1	4/2001	Mills	42/53
D467,634 S *	12/2002	Eickhorn	D22/118
D476,394 S *	6/2003	Trbovich, Jr.	D22/118
6,725,593 B1	4/2004	Harris	42/86
D502,527 S *	3/2005	Trbovich et al.	D22/118

\* cited by examiner

*Primary Examiner*—Catherine R. Oliver

(74) *Attorney, Agent, or Firm*—Brian S. Steinberger; Law Offices of Brian S. Steinberger, P.A.

(57) **CLAIM**

The ornamental design for a novel foldable bayonet, as shown and described.

**DESCRIPTION**

FIG. 1 is an upper front right perspective view of a design of the novel foldable bayonet in a folded position.

FIG. 2 is an upper front left perspective view of the foldable bayonet of FIG. 1.

FIG. 3 is a front view of the foldable bayonet of FIG. 1.

FIG. 4 is a right end view of the foldable bayonet of FIG. 1.

FIG. 5 is a rear view of the foldable bayonet of FIG. 1.

FIG. 6 is a left end view of the foldable bayonet of FIG. 1.

FIG. 7 is a lower front right perspective view of the foldable bayonet of FIG. 1.

FIG. 8 is a top view of the foldable bayonet of FIG. 1.

FIG. 9 is a bottom view of the foldable bayonet of FIG. 1.

FIG. 10 is an upper front right perspective view of the novel foldable bayonet of the preceding figures in an unfolded position with blade extending out.

FIG. 11 is an upper front left perspective view of the unfolded bayonet of FIG. 10.

FIG. 12 is a front view of the unfolded bayonet of FIG. 10.

FIG. 13 is a right end view of the unfolded bayonet of FIG. 10.

FIG. 14 is a rear view of the unfolded bayonet of FIG. 10.

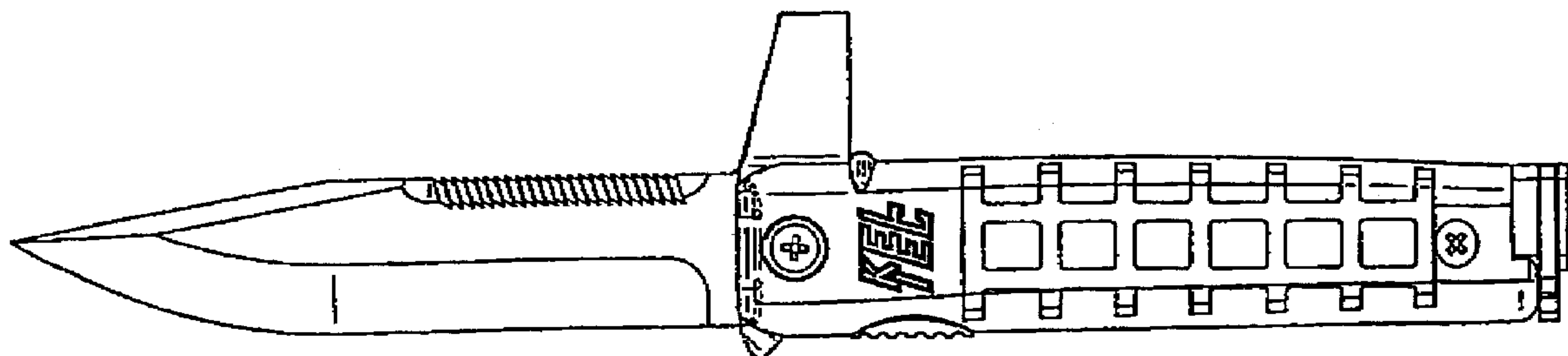
FIG. 15 is a left end view of the unfolded bayonet of FIG. 10.

FIG. 16 is a lower front right perspective view of the unfolded bayonet of FIG. 10.

FIG. 17 is a top view of the unfolded bayonet of FIG. 10; and,

FIG. 18 is a bottom view of the unfolded bayonet of FIG. 10.

**1 Claim, 18 Drawing Sheets**



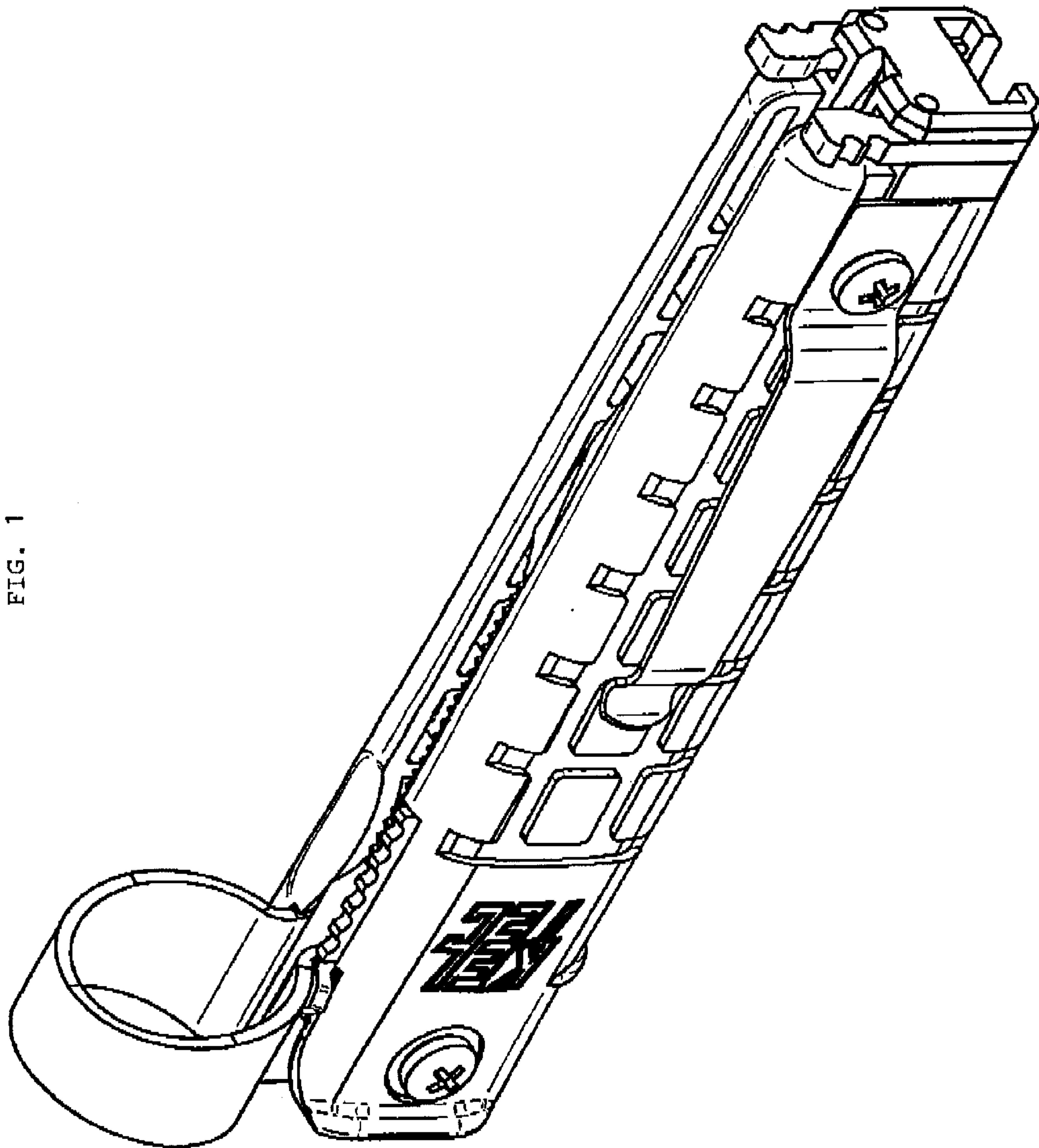


FIG. 1

FIG. 2

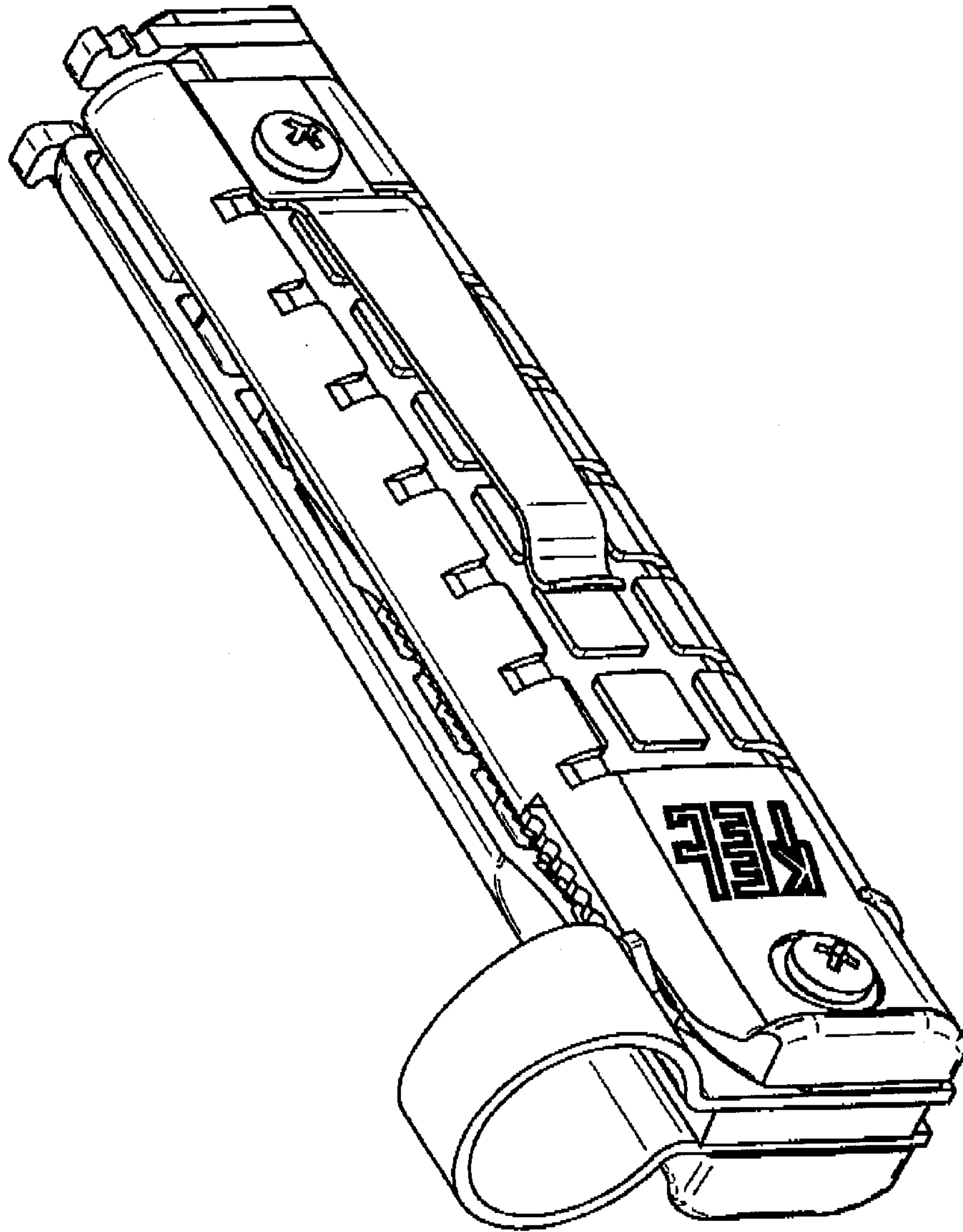


FIG. 3

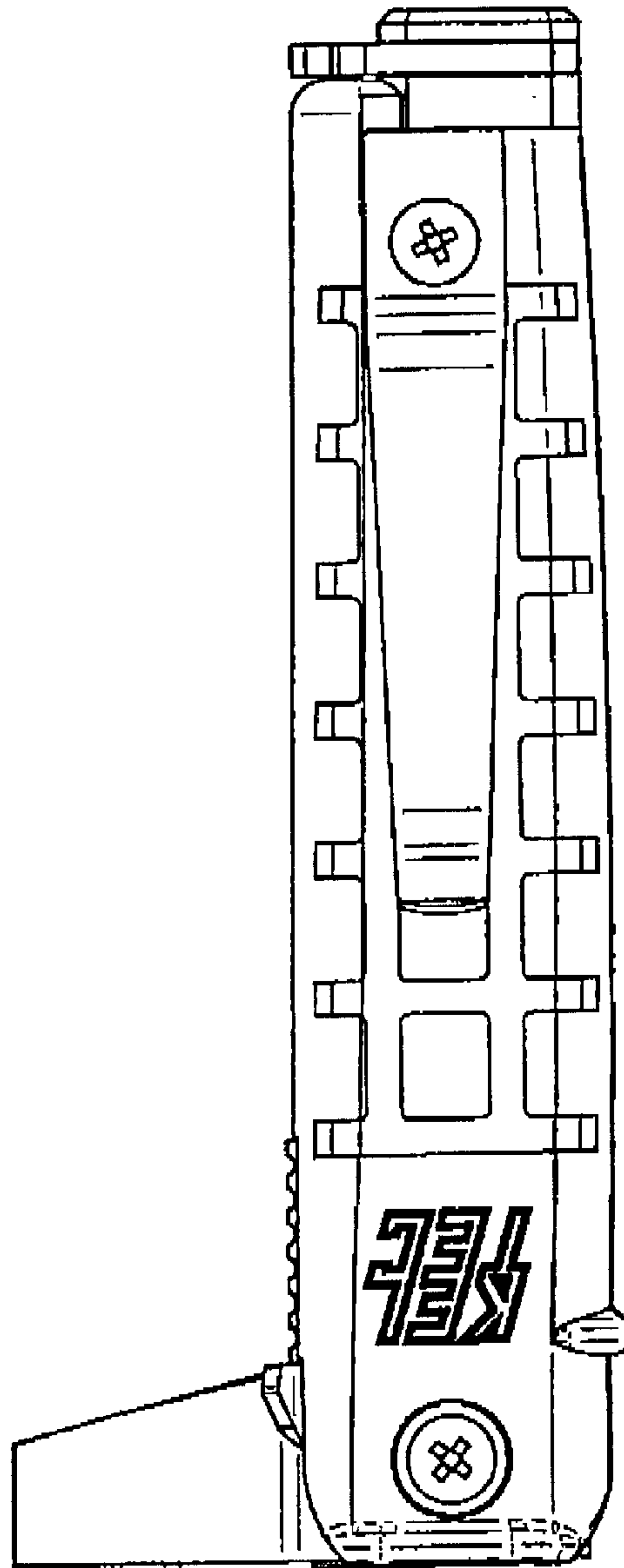


FIG. 4

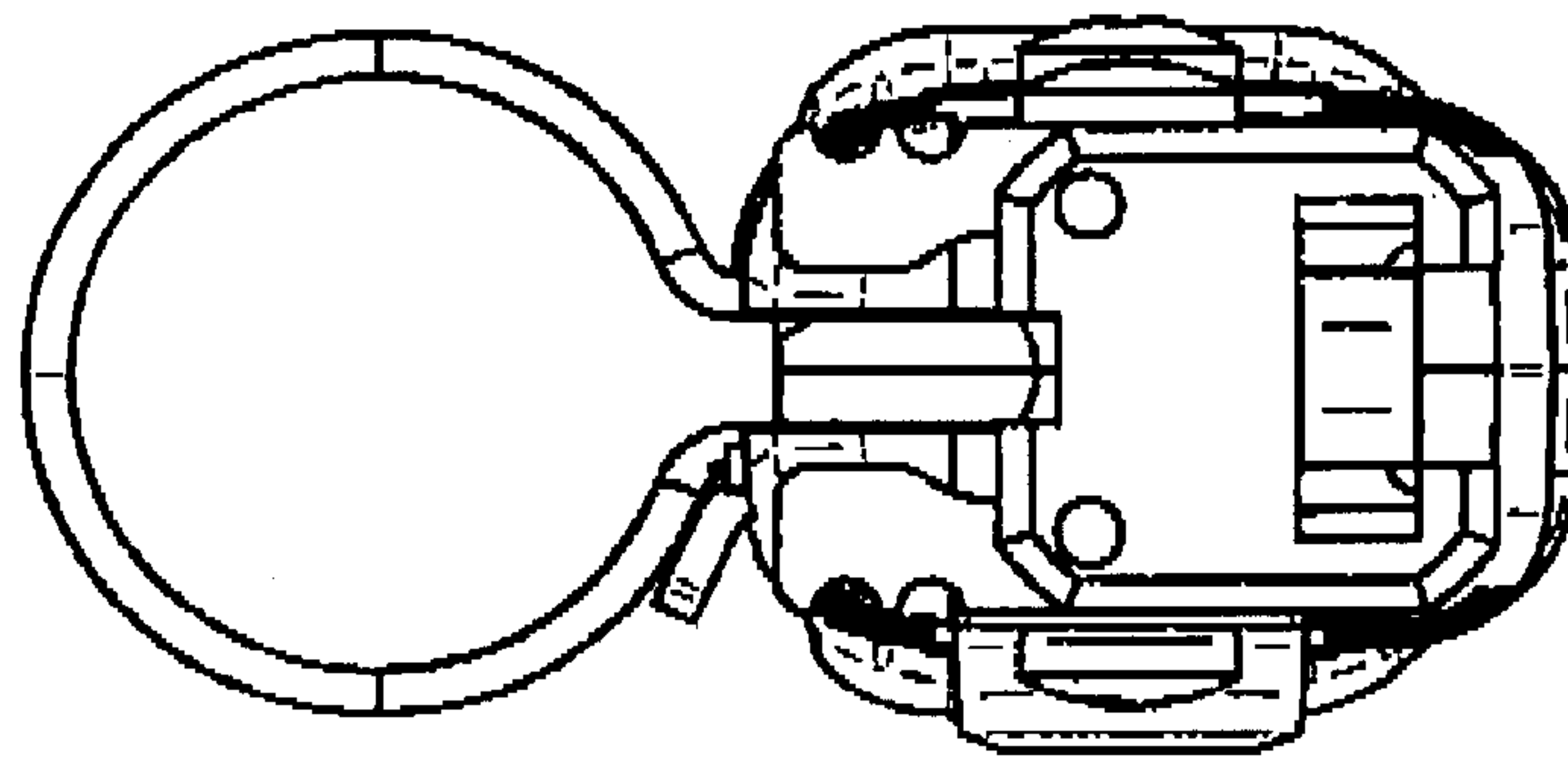


FIG. 5

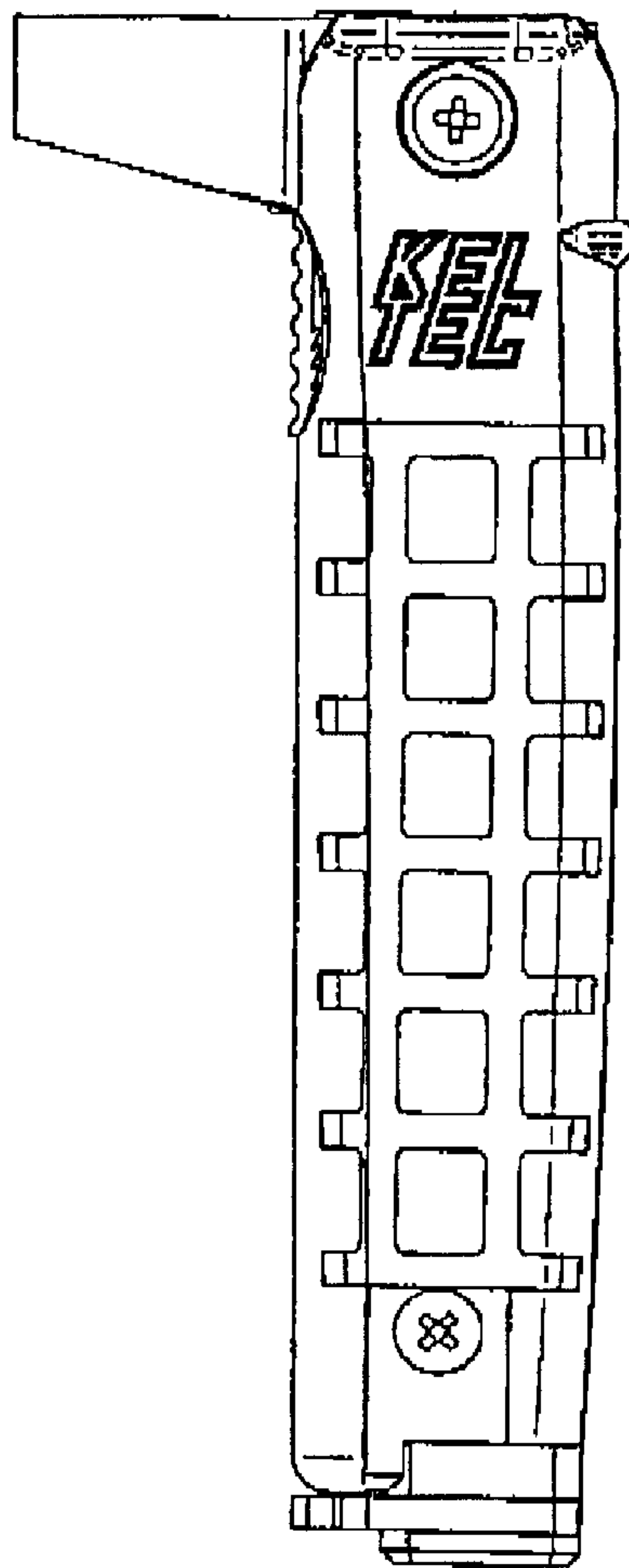


FIG. 6

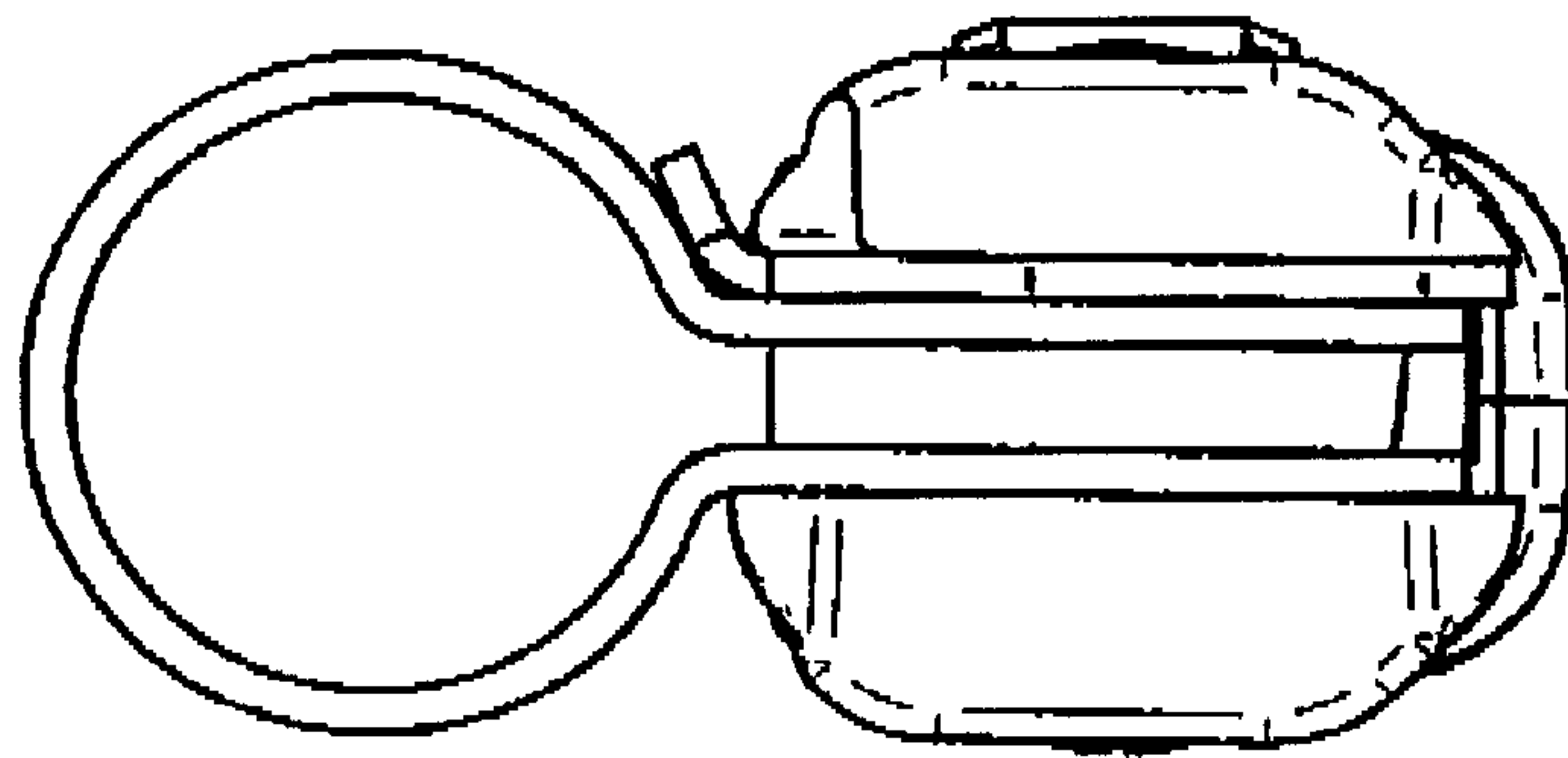




FIG. 7

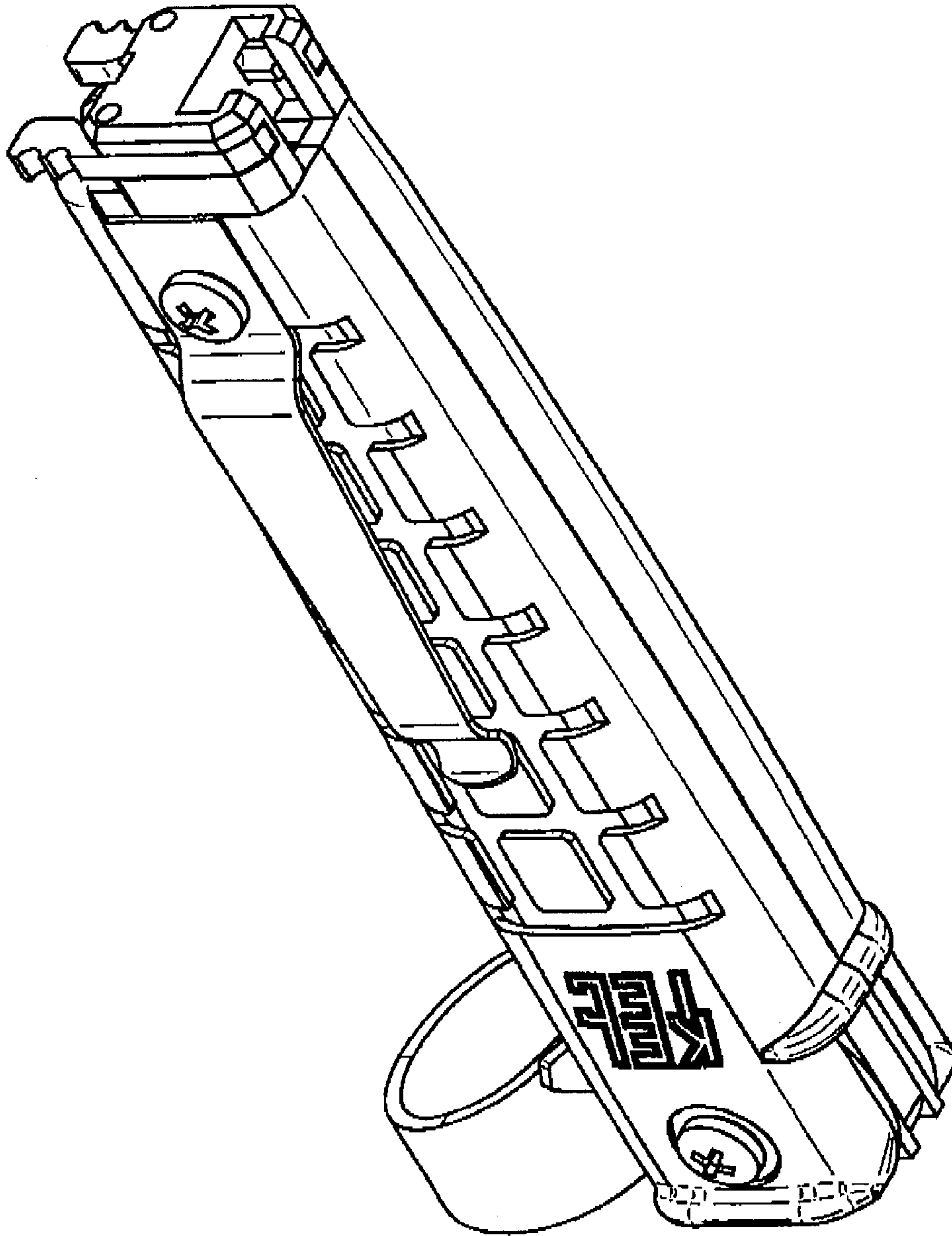




FIG. 8

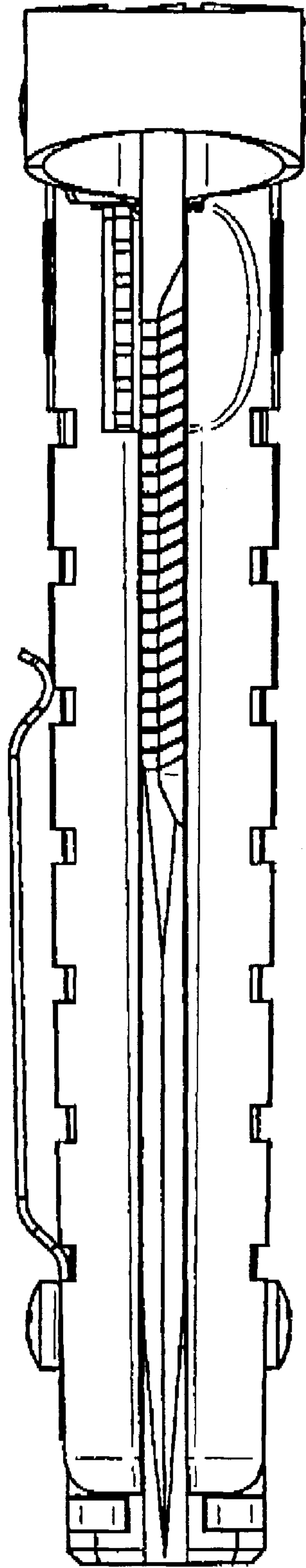


FIG. 9

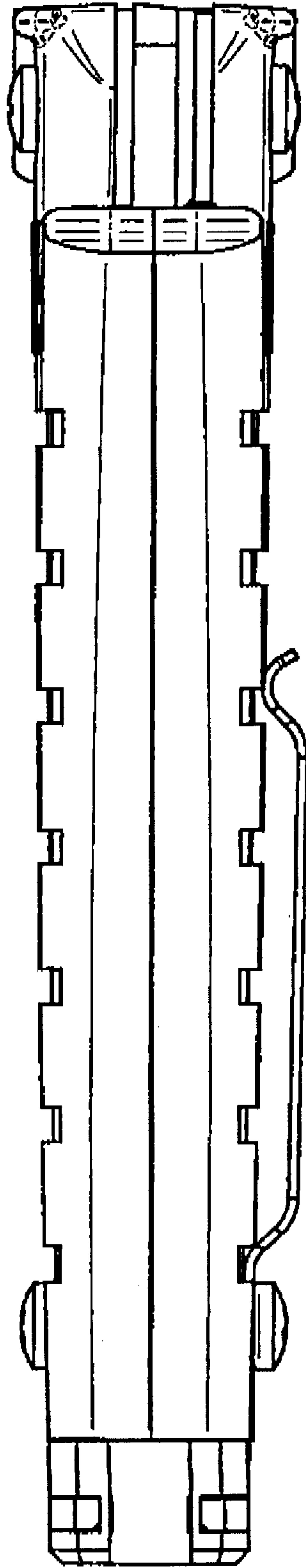


FIG. 10

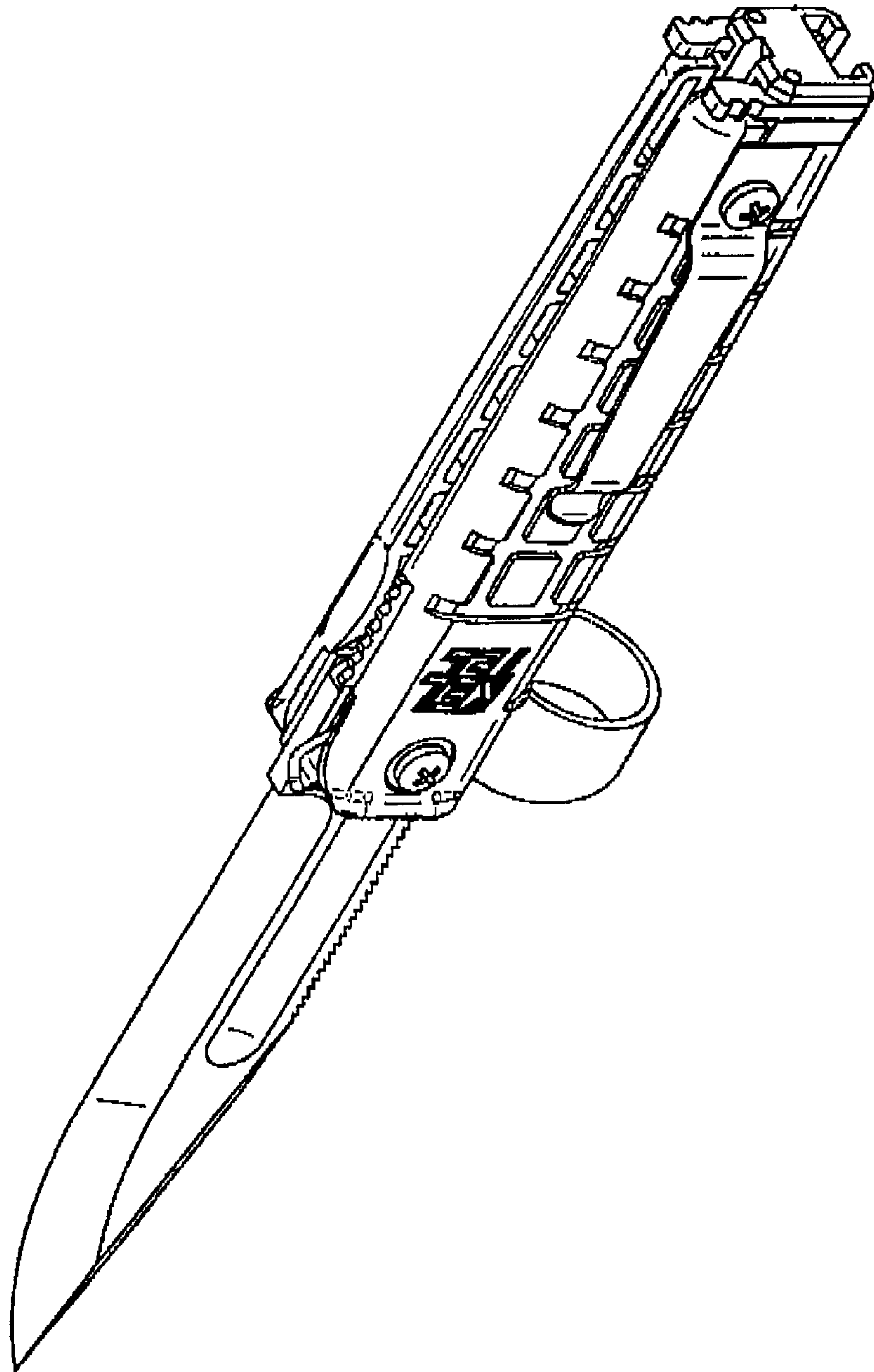


FIG. 11

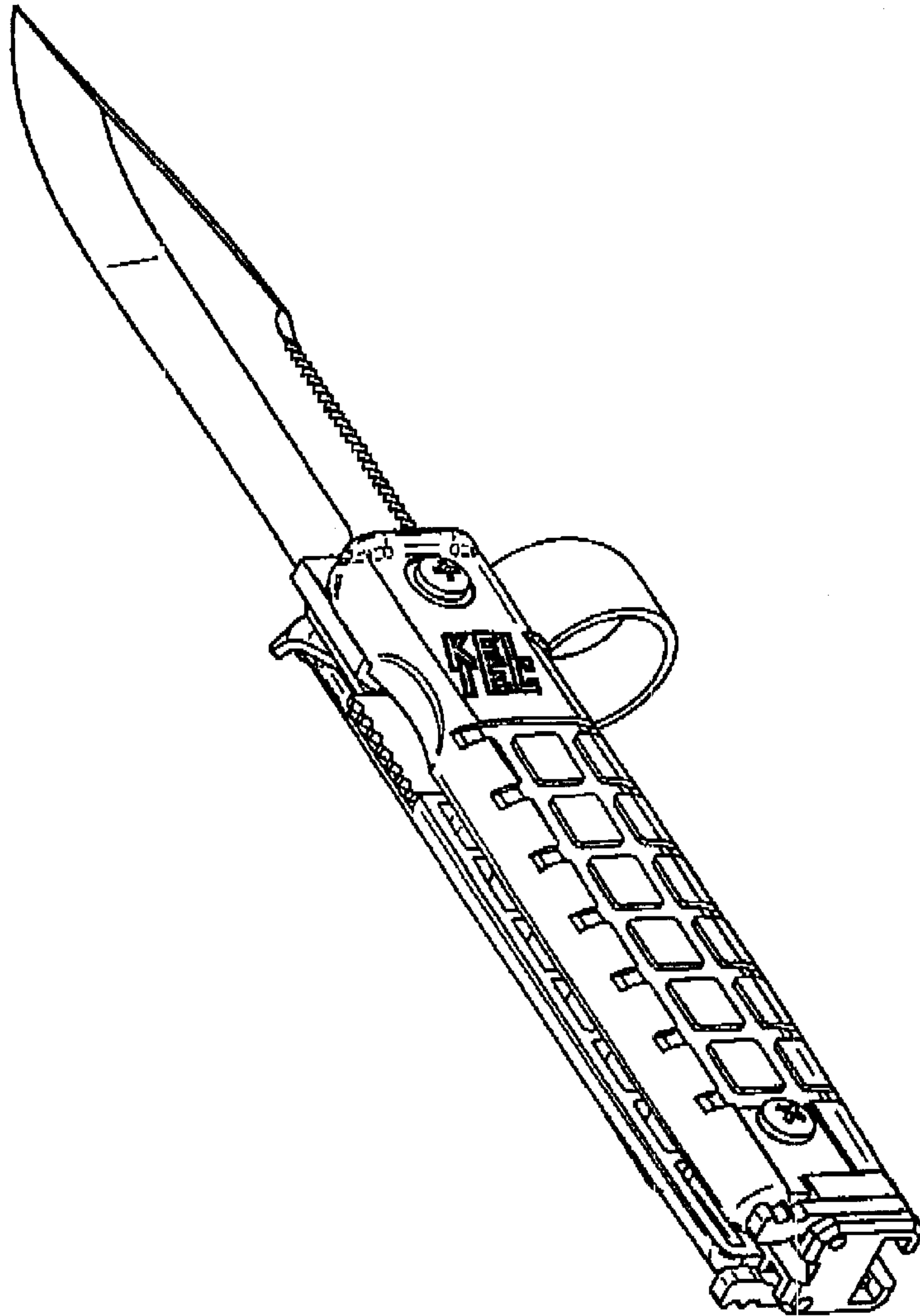


FIG. 12

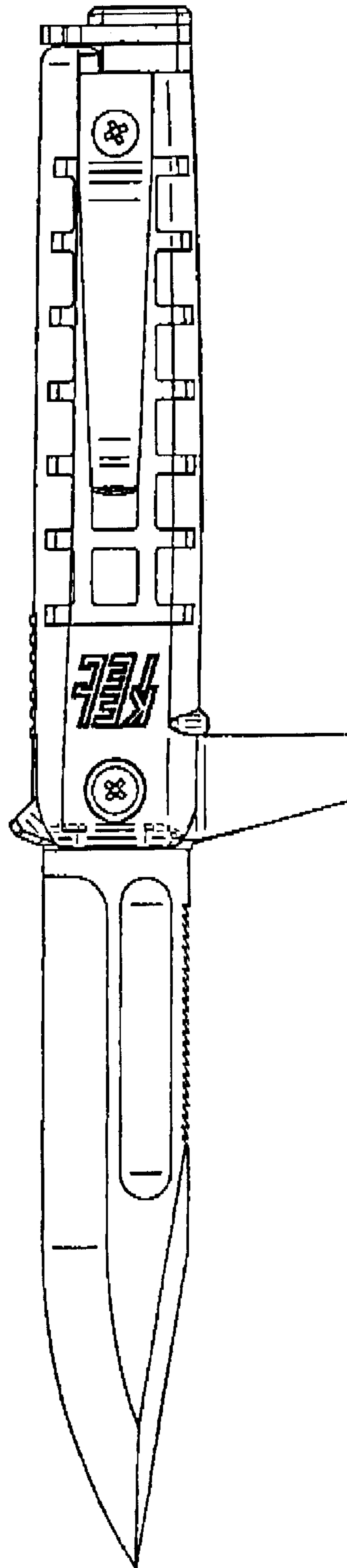


FIG. 13

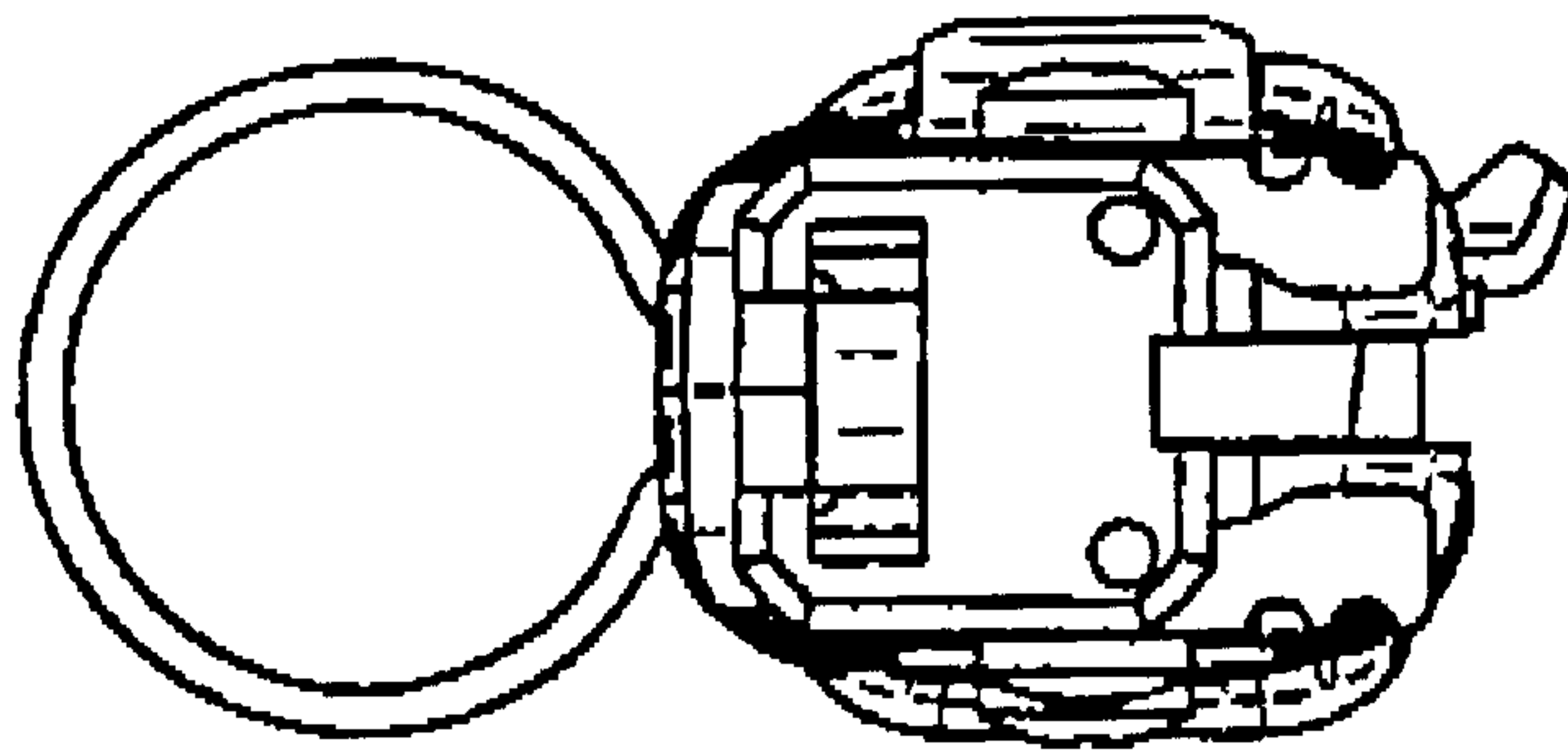


FIG. 14

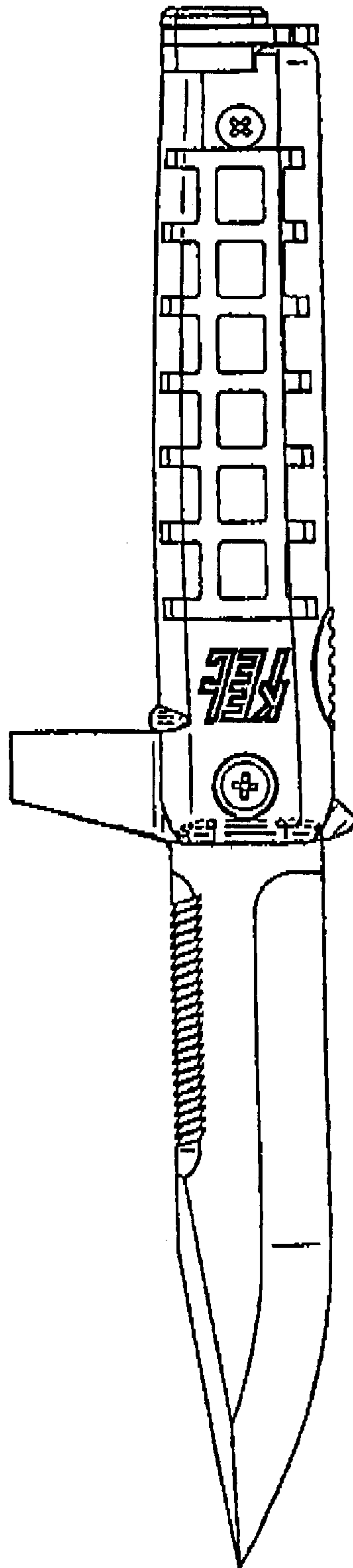




FIG. 15

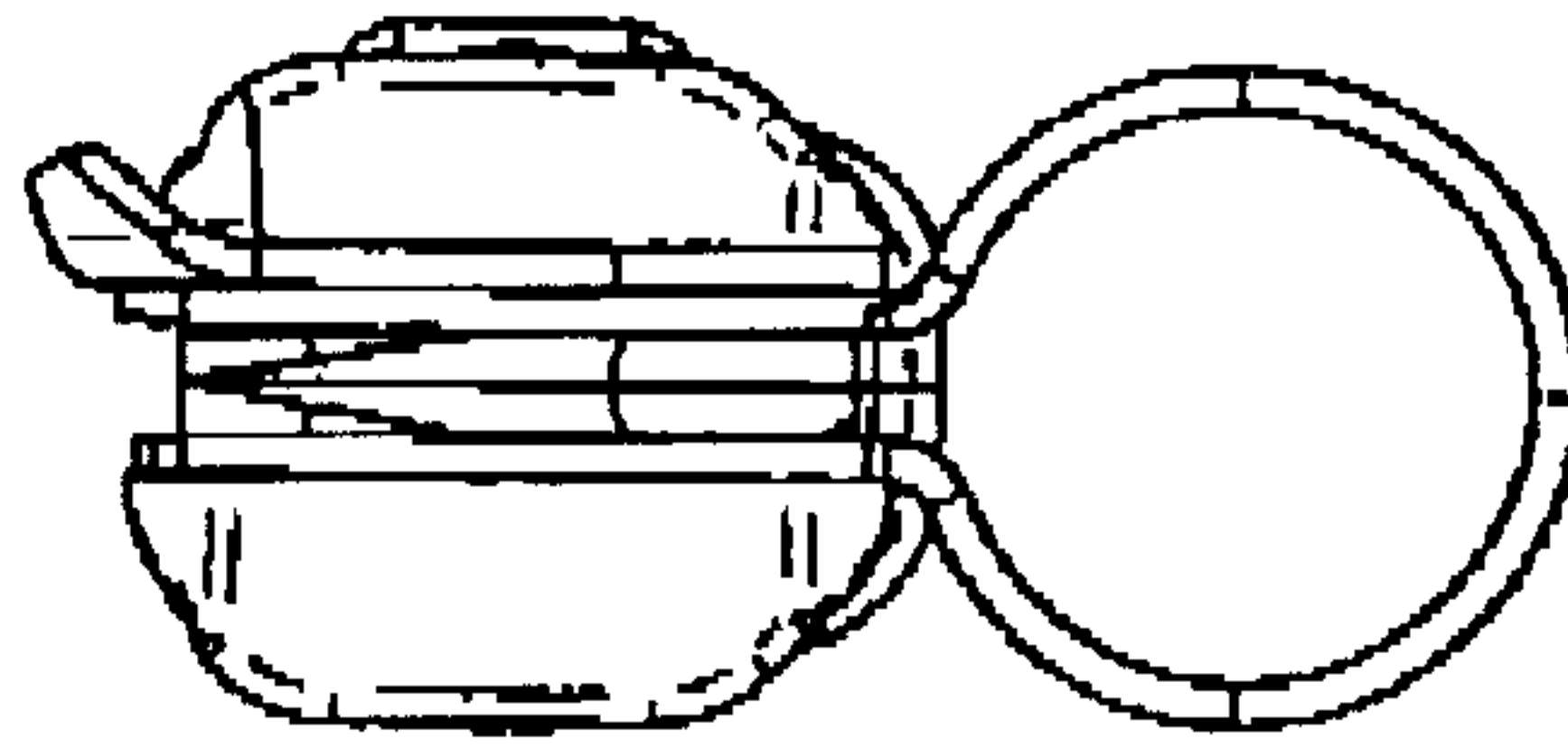


FIG. 16

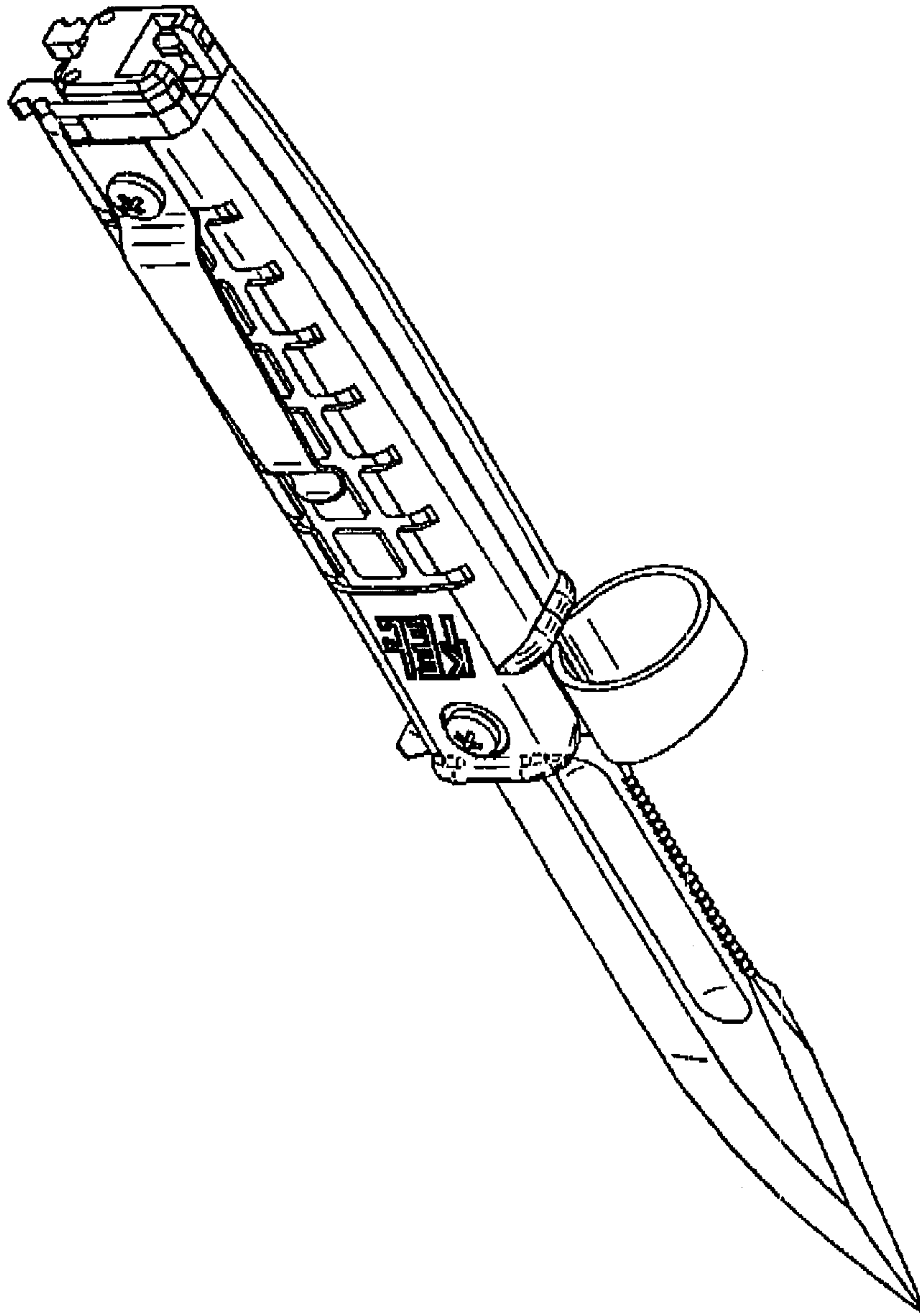


FIG. 17

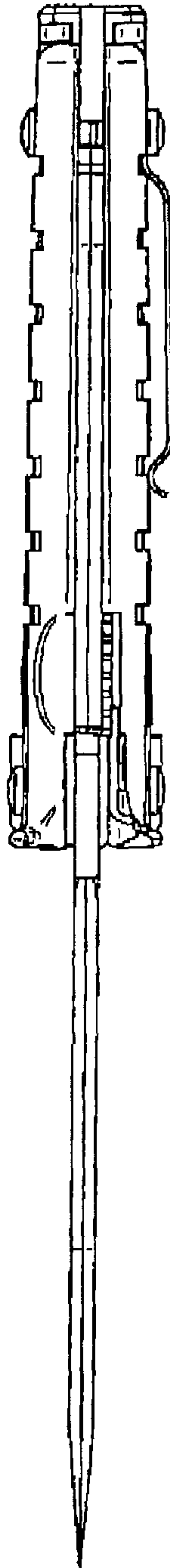


FIG. 18

