

US00D527784S

(12) **United States Design Patent**
Peterson

(10) **Patent No.:** **US D527,784 S**

(45) **Date of Patent:** **** Sep. 5, 2006**

(54) **INFLATABLE TOWABLE KITE**

OTHER PUBLICATIONS

(75) Inventor: **Leroy L. Peterson**, Omaha, NE (US)

Overton's Catalog, Spring Edition 1999, p. 197, 'Islander Lounge', located in the center of page.*

(73) Assignee: **Sporstuff, Inc.**, Omaha, NE (US)

Bart's Catalog 1987, p. 29, 'Hi-Planer Ski Tube', located in the top left corner of page.*

(**) Term: **14 Years**

Overton's Catalog, Edition #10 1998, p. 32, 'Screamer', located in the top left corner of page.*

(21) Appl. No.: **29/237,458**

Ski Limited 2003, p. 21, 'Shockwave Closed Top Tube', located on the right side of page.*

(22) Filed: **Aug. 31, 2005**

* cited by examiner

(51) **LOC (8) Cl.** **12-02**

(52) **U.S. Cl.** **D21/803**

(58) **Field of Classification Search** D21/769-770,
D21/801, 803, 809; D6/392, 596, 601, 604;
472/128-129; D12/5, 6, 316; 114/253, 345-346;
441/35, 66, 40-42, 129-132

Primary Examiner—Caron D. Veynar

Assistant Examiner—Zenia I. Bennett

(74) *Attorney, Agent, or Firm*—Strum & Fix LLP

See application file for complete search history.

(57) **CLAIM**

The ornamental design for an inflatable towable kite, as shown and described.

(56) **References Cited**

DESCRIPTION

U.S. PATENT DOCUMENTS

D226,633	S	*	4/1973	Beck	D21/769
5,046,978	A	*	9/1991	Howerton	441/131
5,279,510	A	*	1/1994	Remy	441/67
D393,038	S	*	3/1998	Peterson	D21/803
5,729,840	A	*	3/1998	Wu	4/588
D427,791	S	*	7/2000	Peterson	D6/349
D432,614	S	*	10/2000	Peterson	D21/803
D476,390	S	*	6/2003	Peterson	D21/803
D480,777	S	*	10/2003	Peterson	D21/803
6,746,291	B1	*	6/2004	Coleman et al.	441/65

FIG. 1 is a perspective view of the inflatable towable kite showing my new design;

FIG. 2 is a top plan view thereof;

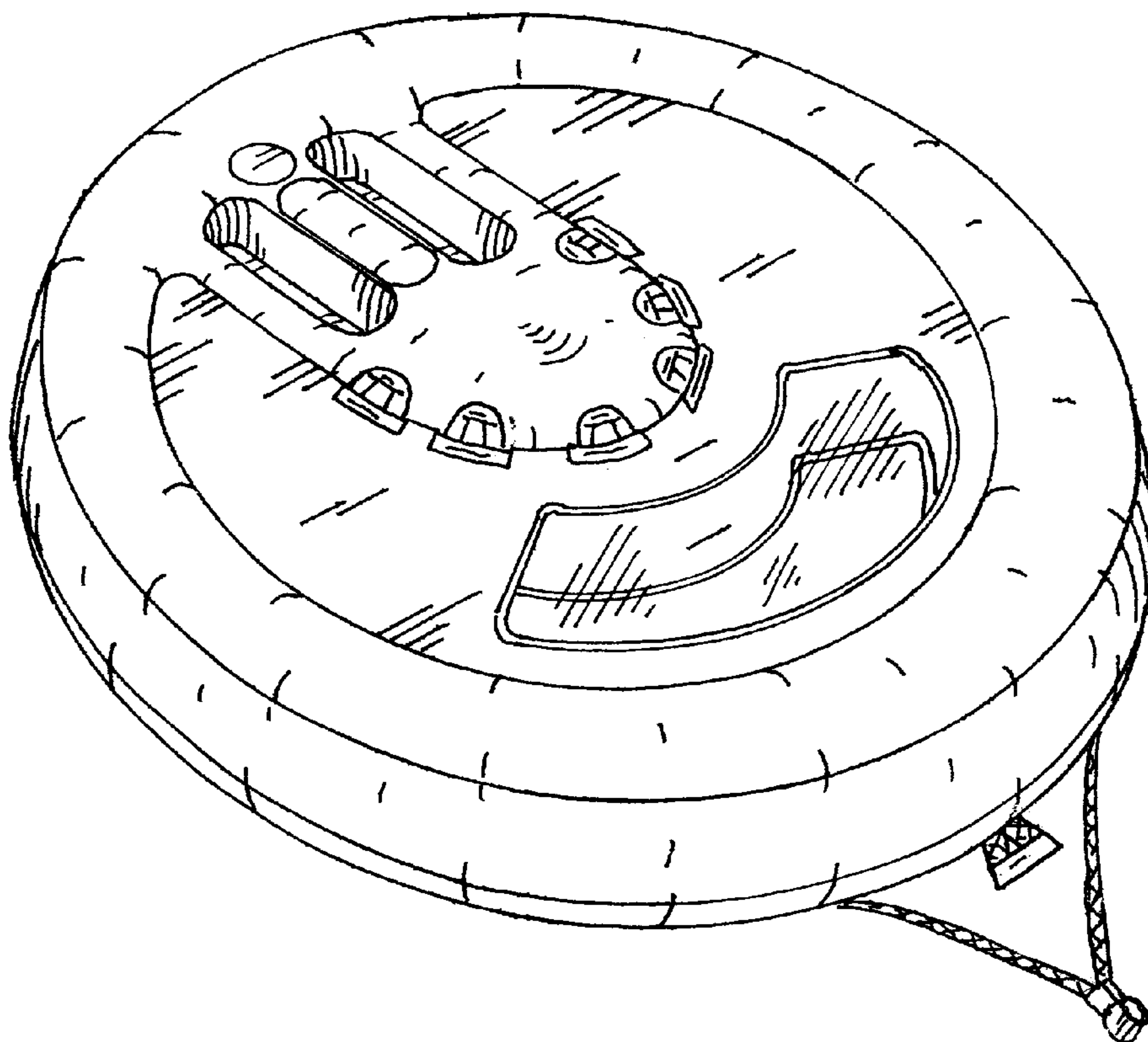
FIG. 3 is a bottom plan view thereof;

FIG. 4 is a right side elevational view thereof, the left side elevational view being identical thereto; and

FIG. 5 is a rear elevational view thereof; and,

FIG. 6 is a front elevational view thereof.

1 Claim, 2 Drawing Sheets



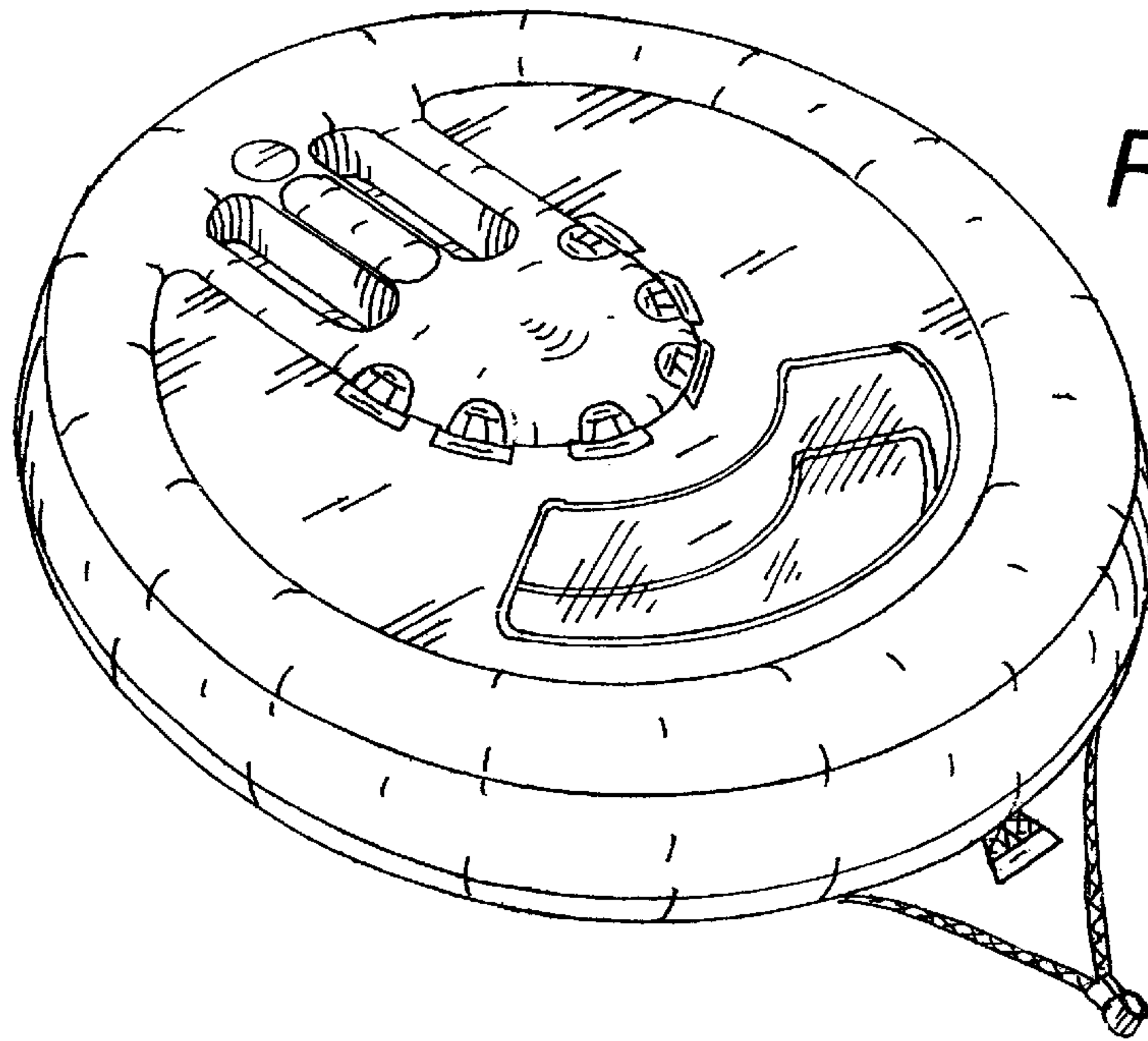


Fig. 1

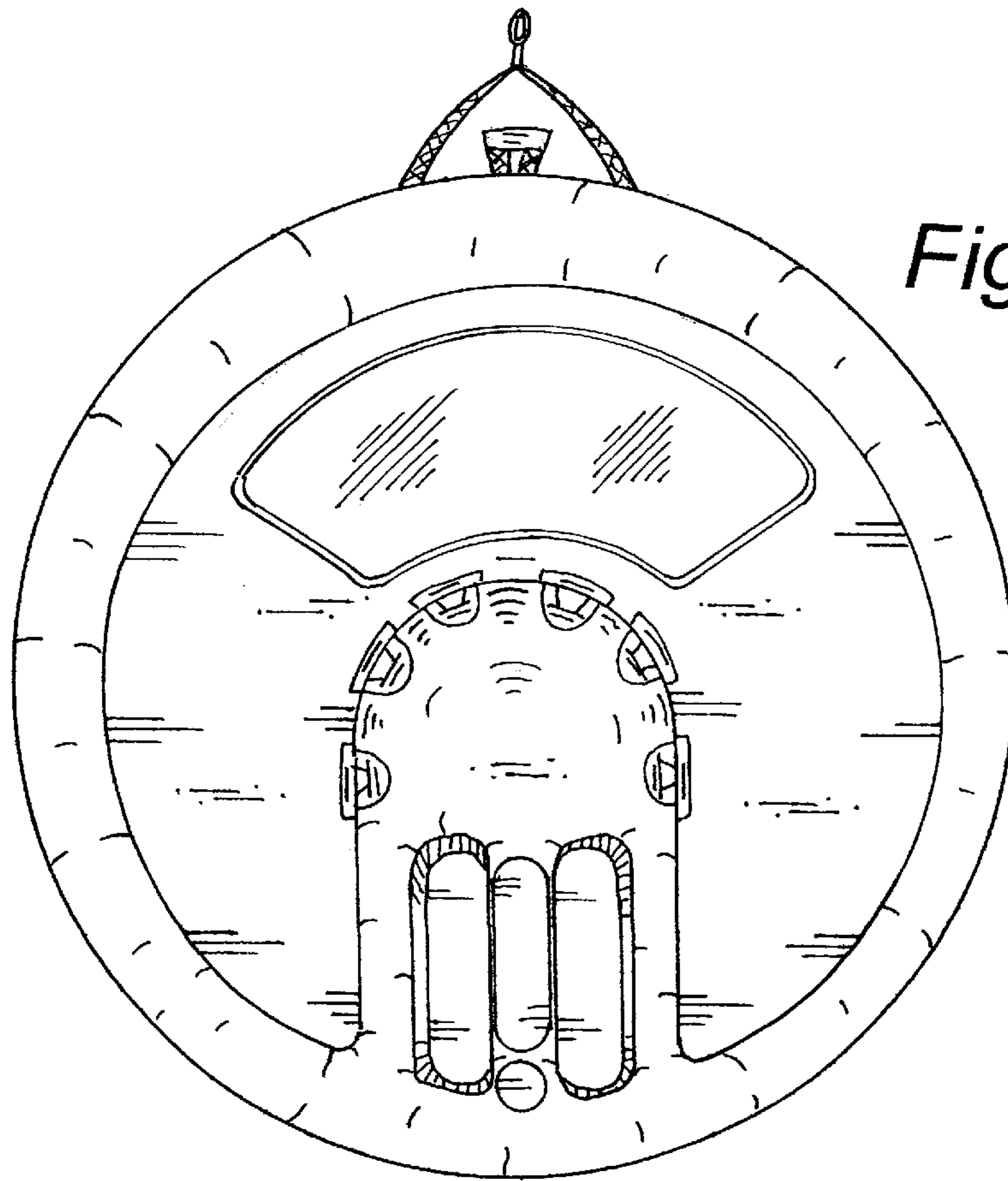


Fig. 2

Fig. 3

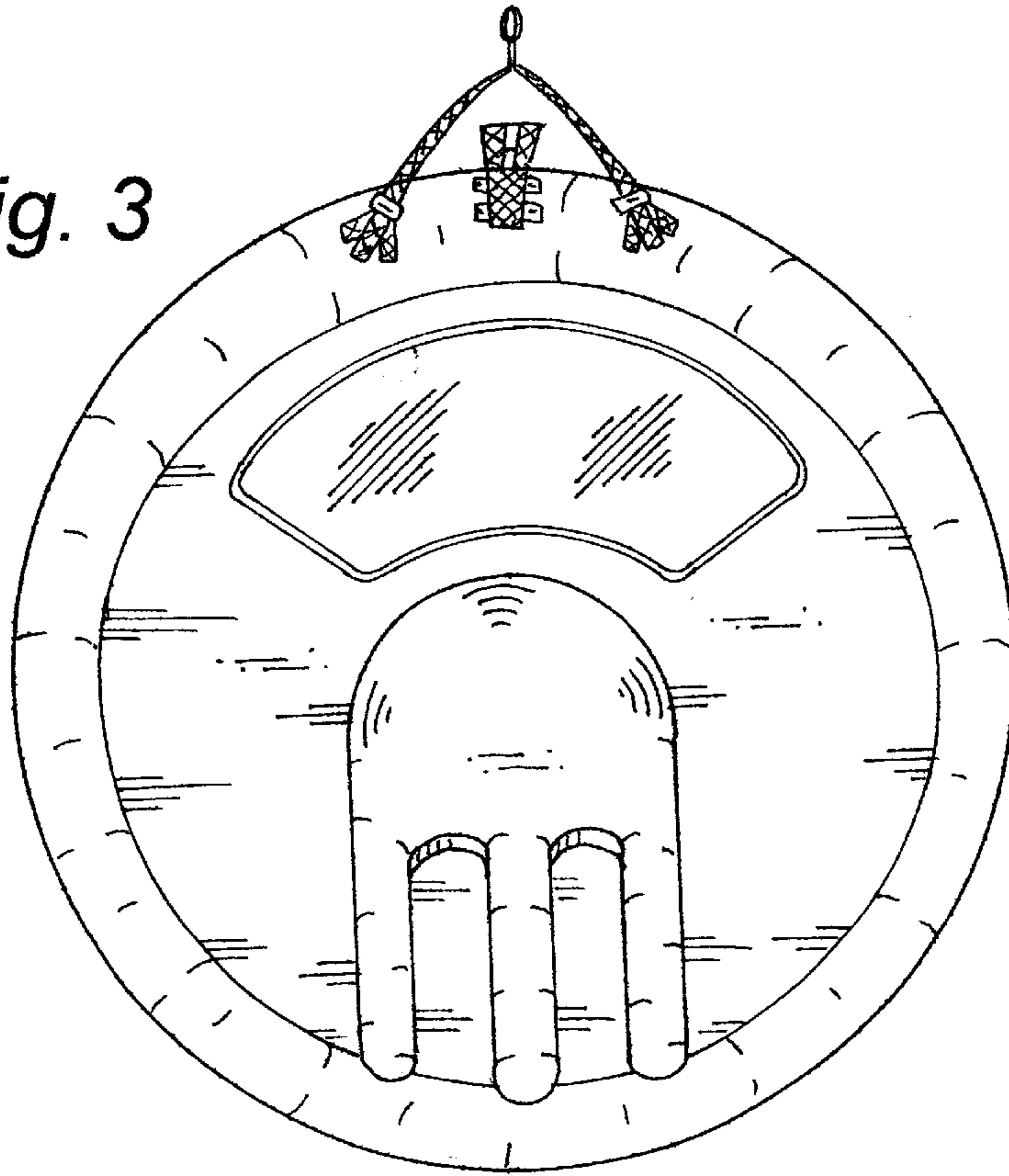


Fig. 4

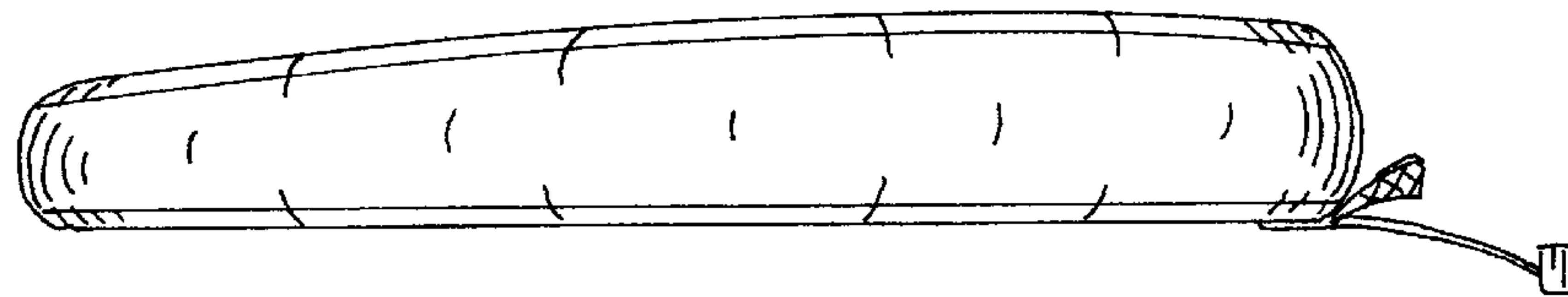


Fig. 5

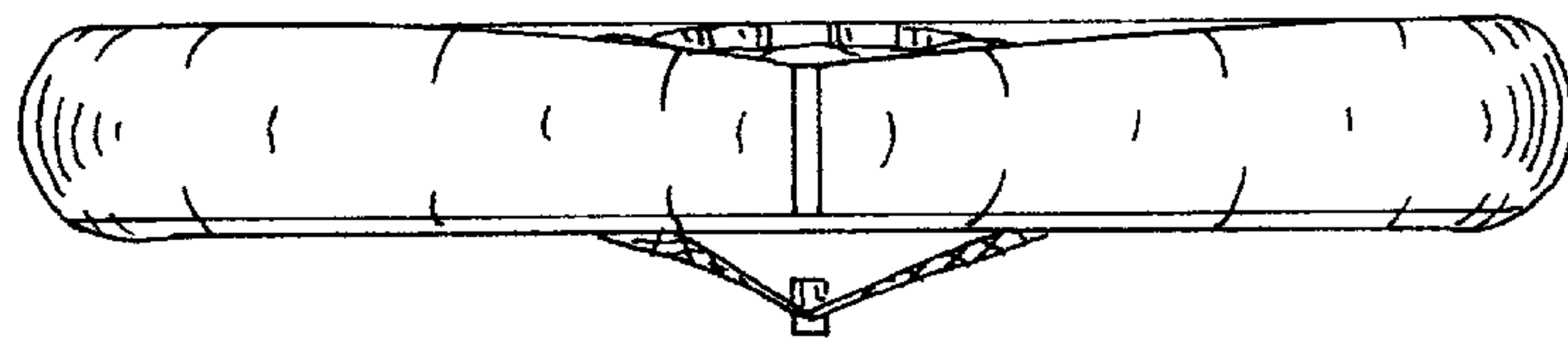


Fig. 6

