



US00D527781S

(12) **United States Design Patent**
Walden

(10) **Patent No.:** **US D527,781 S**

(45) **Date of Patent:** **** Sep. 5, 2006**

(54) **SURFBOARD**

(76) **Inventor:** **Steve Walden**, 853 E. Front St.,
Ventura, CA (US) 93001

(**) **Term:** **14 Years**

(21) **Appl. No.:** **29/240,697**

(22) **Filed:** **Oct. 17, 2005**

(51) **LOC (8) Cl.** **21-02**

(52) **U.S. Cl.** **D21/769**

(58) **Field of Classification Search** D21/769,
D21/770, 801, 803, 804, 806, 807, 810; 114/363;
D2/731, 732; 441/55, 56, 58, 60, 61-66,
441/68, 69, 72-75, 79; D12/303, 304, 309
See application file for complete search history.

(56) **References Cited**

U.S. PATENT DOCUMENTS

D206,506	S	*	12/1966	Lambach	D21/769
3,317,937	A	*	5/1967	Gallagher	441/74
3,323,154	A	*	6/1967	Lambach	441/74
3,337,886	A	*	8/1967	Ekstrom	441/74
4,857,025	A	*	8/1989	Brown et al.	441/65
D323,691	S	*	2/1992	Olson	D21/770
6,551,157	B1	*	4/2003	Bishop	441/65
D515,684	S	*	2/2006	Latone	D23/366
2004/0067702	A1	*	4/2004	Thornburg	441/74

* cited by examiner

Primary Examiner—Caron D. Veynar

Assistant Examiner—Zenita I Bennett

(74) *Attorney, Agent, or Firm*—Eric Hanscom

(57) **CLAIM**

The ornamental design for a surfboard, as shown.

DESCRIPTION

FIG. 1 is a front bottom perspective view showing my new design;

FIG. 2 is a rear view thereof;

FIG. 3 is a front end view thereof;

FIG. 4 is a right side view thereof;

FIG. 5 is a left side view thereof;

FIG. 6 is a rear bottom perspective thereof;

FIG. 7 is a top view thereof;

FIG. 8 is a bottom view thereof;

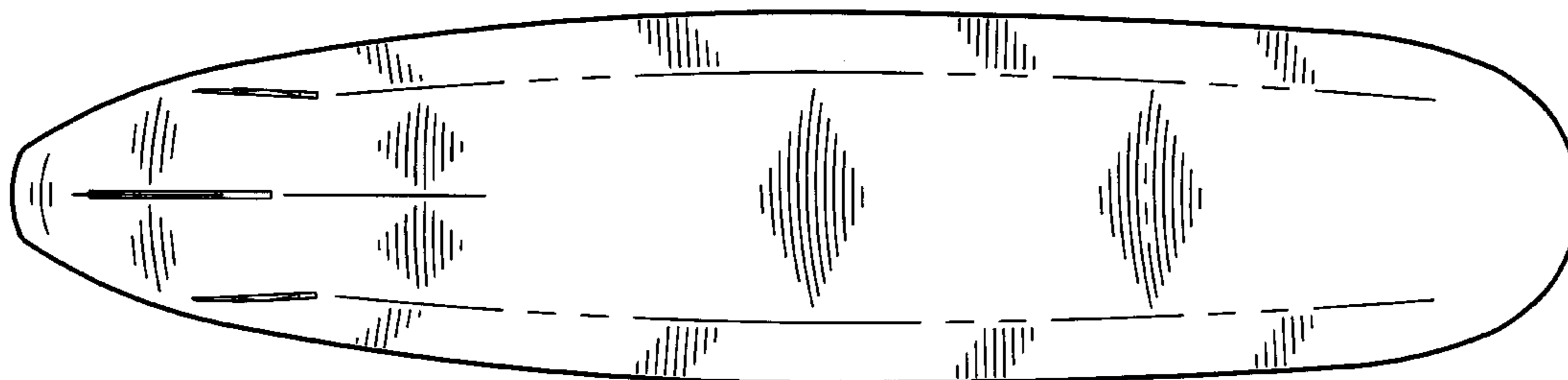
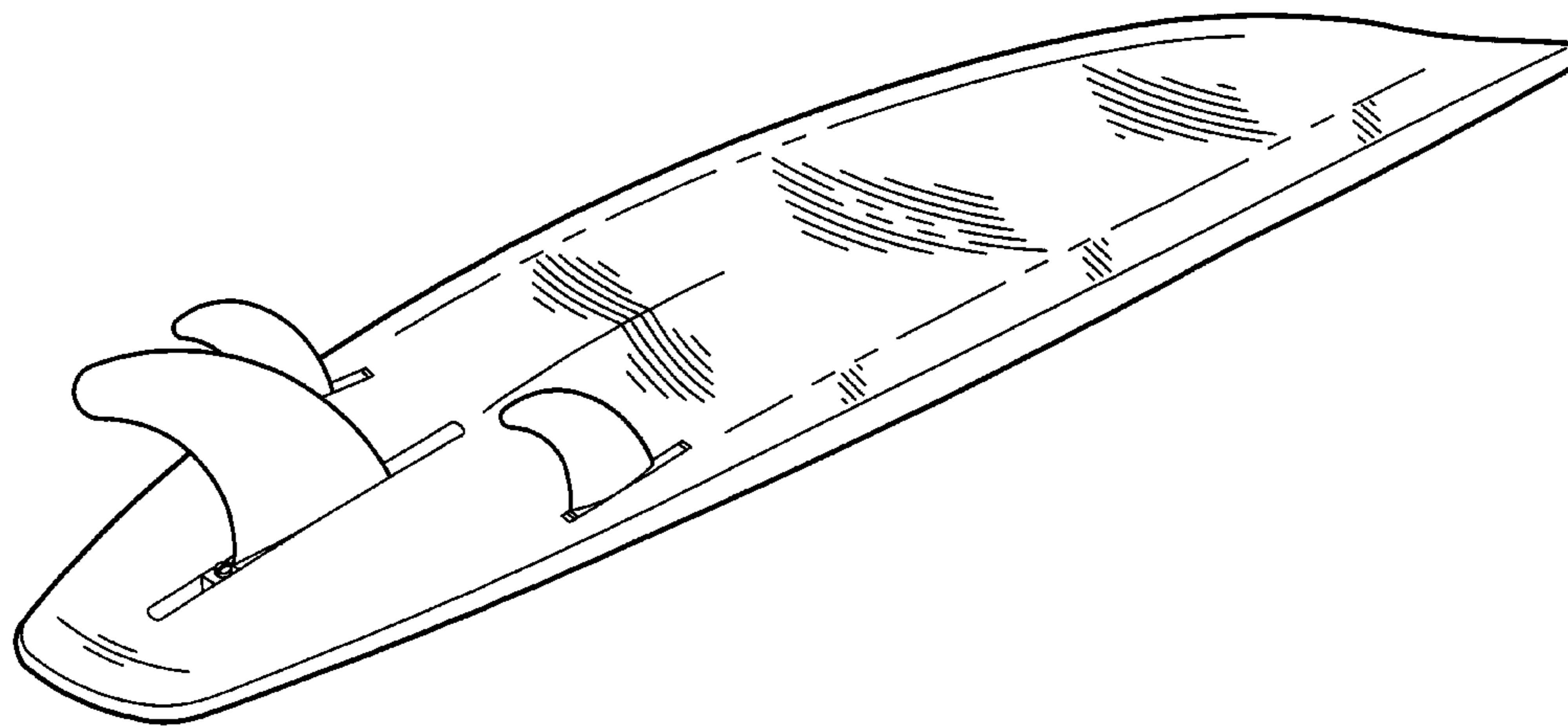
FIG. 9 is a cross-sectional view taken along line 9—9 as indicated in FIG. 1;

FIG. 10 is a cross-sectional view taken along line 10—10 as indicated in FIG. 1; and,

FIG. 11 is a cross-sectional view taken along line 11—11 as indicated in FIG. 1.

The unique design and appearance of this device are illustrated in the drawings.

1 Claim, 4 Drawing Sheets



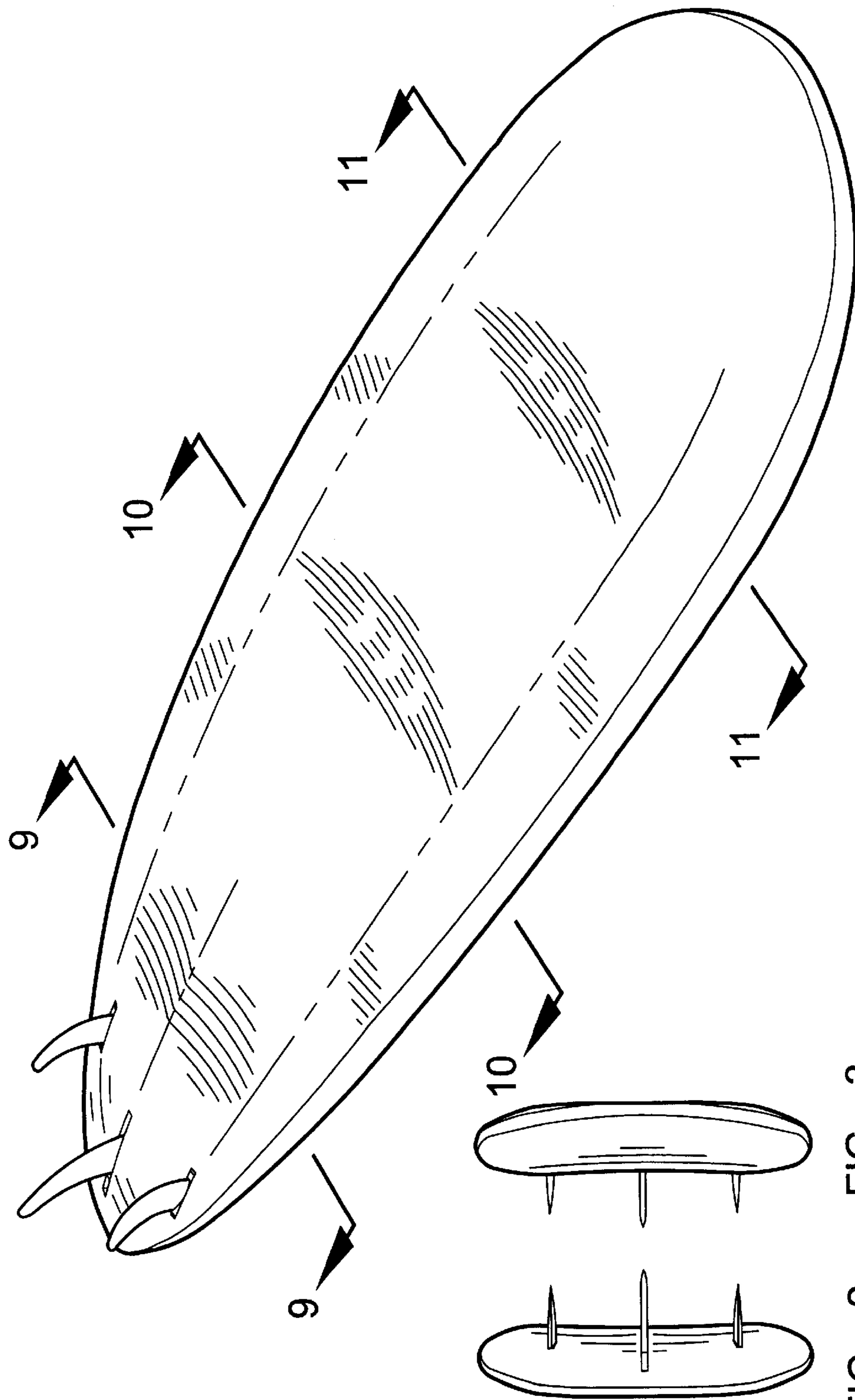


FIG. 1

FIG. 2

FIG. 3

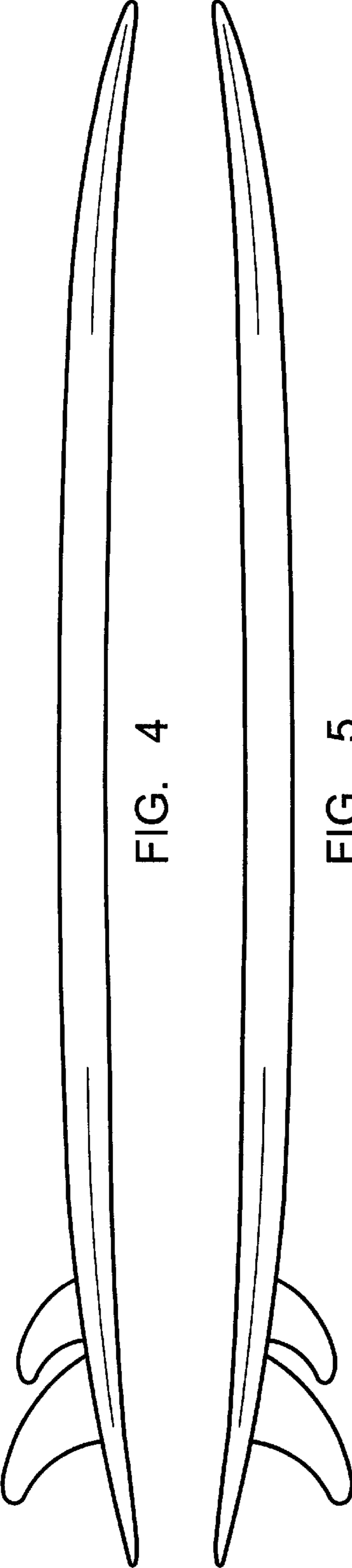


FIG. 4

FIG. 5

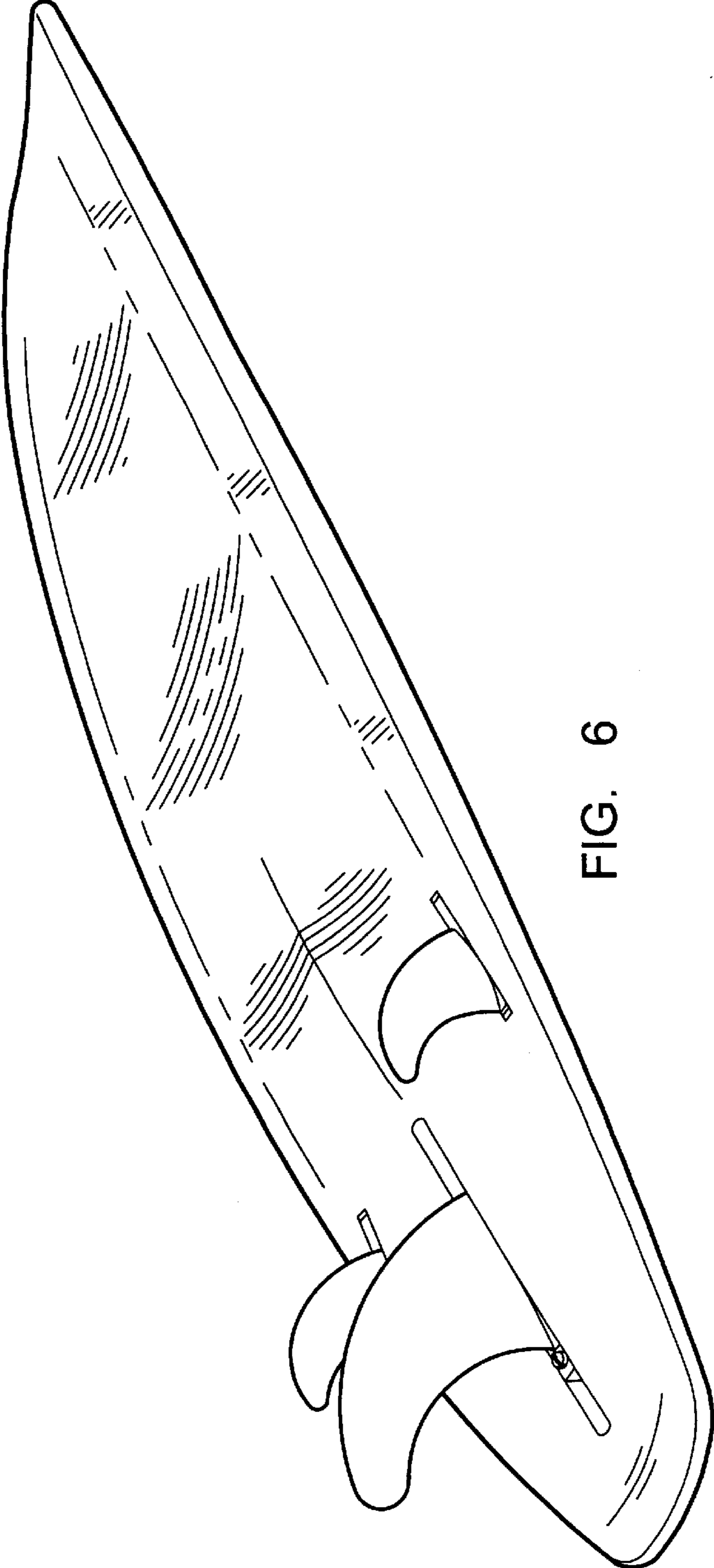


FIG. 6

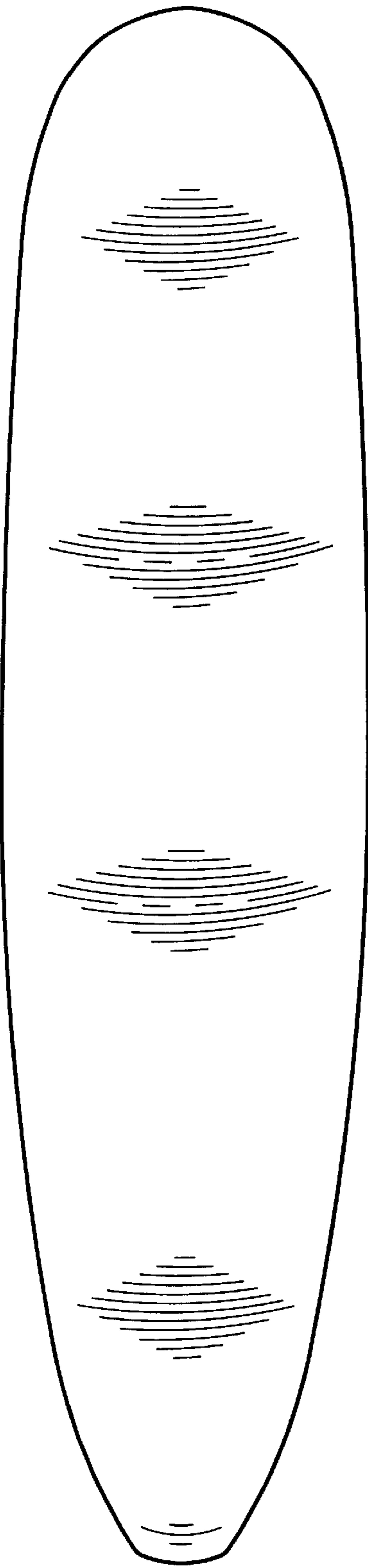


FIG. 7

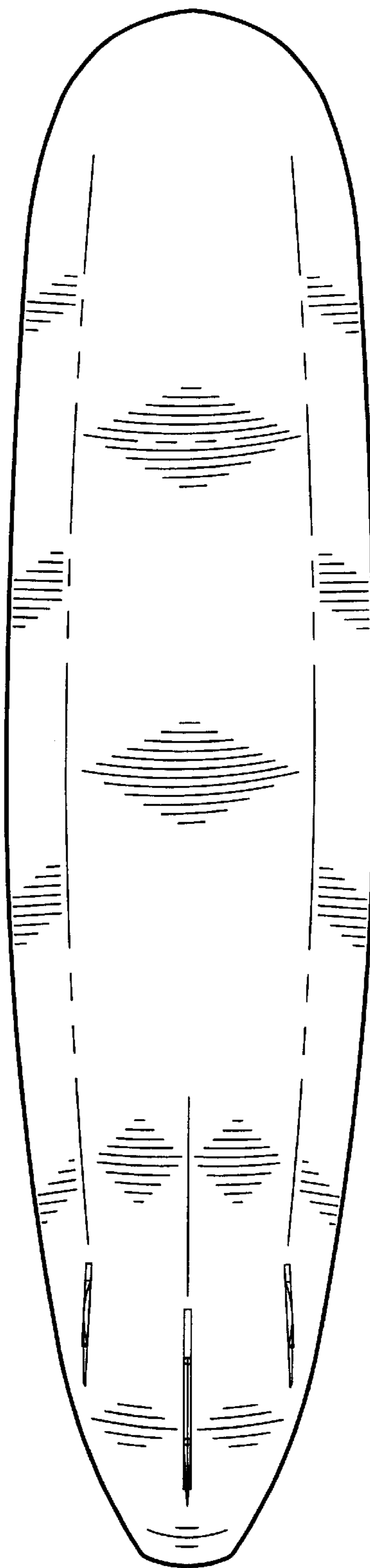


FIG. 8

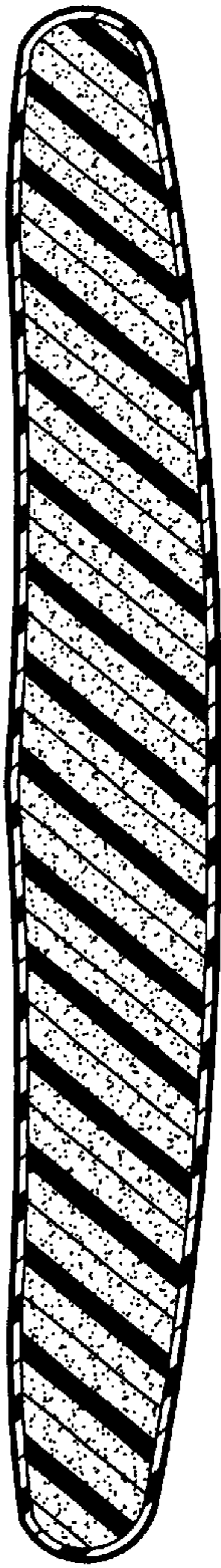


FIG. 9

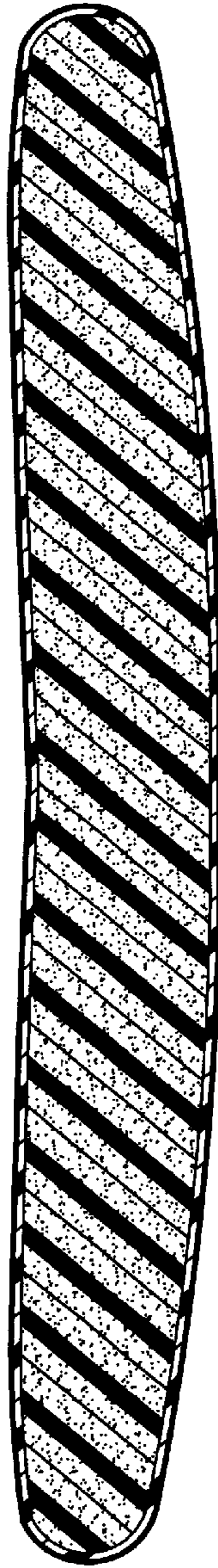


FIG. 10

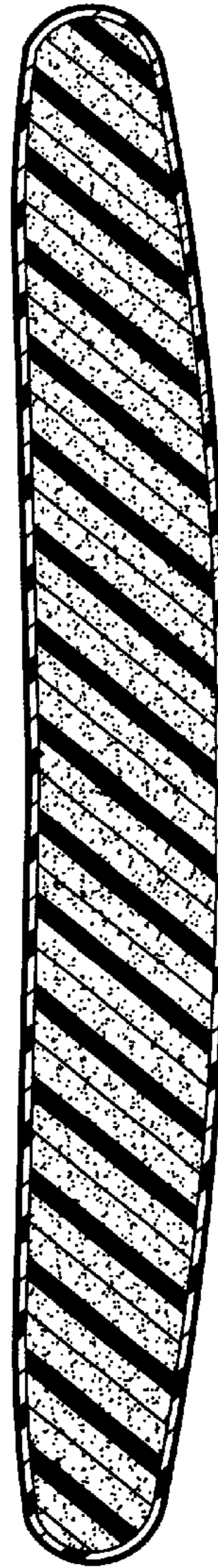


FIG. 11