



US00D52777S

(12) **United States Design Patent**
Solheim et al.

(10) **Patent No.:** **US D527,777 S**

(45) **Date of Patent:** **** Sep. 5, 2006**

(54) **GOLF PUTTER HEAD**

(75) Inventors: **John K. Solheim**, Anthem, AZ (US);
David D. Jones, Glendale, AZ (US)

(73) Assignee: **Karsten Manufacturing Corporation**,
Phoenix, AZ (US)

(**) Term: **14 Years**

(21) Appl. No.: **29/230,599**

(22) Filed: **May 23, 2005**

(51) **LOC (8) Cl.** **21-02**

(52) **U.S. Cl.** **D21/736**

(58) **Field of Classification Search** D21/736-746;
473/324-331, 251-256, 340, 341
See application file for complete search history.

(56) **References Cited**

U.S. PATENT DOCUMENTS

D207,227 S	3/1967	Solheim	
D218,178 S	7/1970	Solheim	
D255,373 S	6/1980	Solheim	
D365,864 S	* 1/1996	Sturm D21/746
D405,836 S	2/1999	Nicolette	
D410,267 S	5/1999	Solheim	
D443,905 S	6/2001	Nicolette	

D483,086 S	12/2003	Schweigert	
D500,109 S	12/2004	Solheim	
D500,110 S	12/2004	Solheim	
6,960,140 B1	* 11/2005	Solheim et al. 473/251
D513,050 S	* 12/2005	Grimaldo D21/743

* cited by examiner

Primary Examiner—Mitchell Siegel

(74) *Attorney, Agent, or Firm*—Darrell F. Marquette

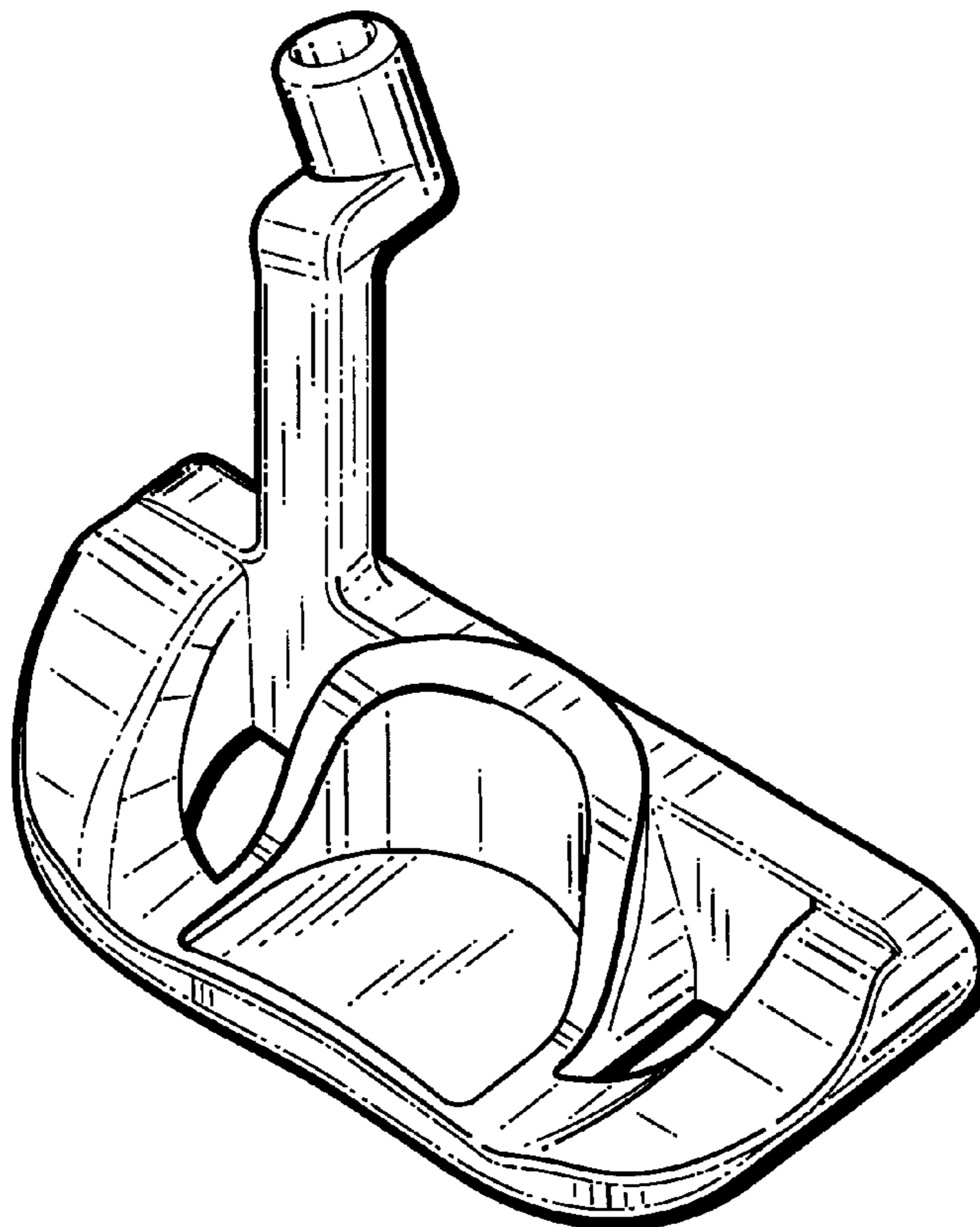
(57) **CLAIM**

The ornamental design for a golf putter head, as shown and described.

DESCRIPTION

FIG. 1 is a perspective view of a golf putter head showing our new design;
FIG. 2 is a front elevational view of the golf putter head of FIG. 1;
FIG. 3 is a rear elevational view of the golf putter head of FIG. 1;
FIG. 4 is a bottom view of the golf putter head of FIG. 1;
FIG. 5 is a top view of the golf putter head of FIG. 1;
FIG. 6 is a heel end view of the golf putter head of FIG. 1;
and,
FIG. 7 is a toe end view of the golf putter head of FIG. 1.

1 Claim, 1 Drawing Sheet



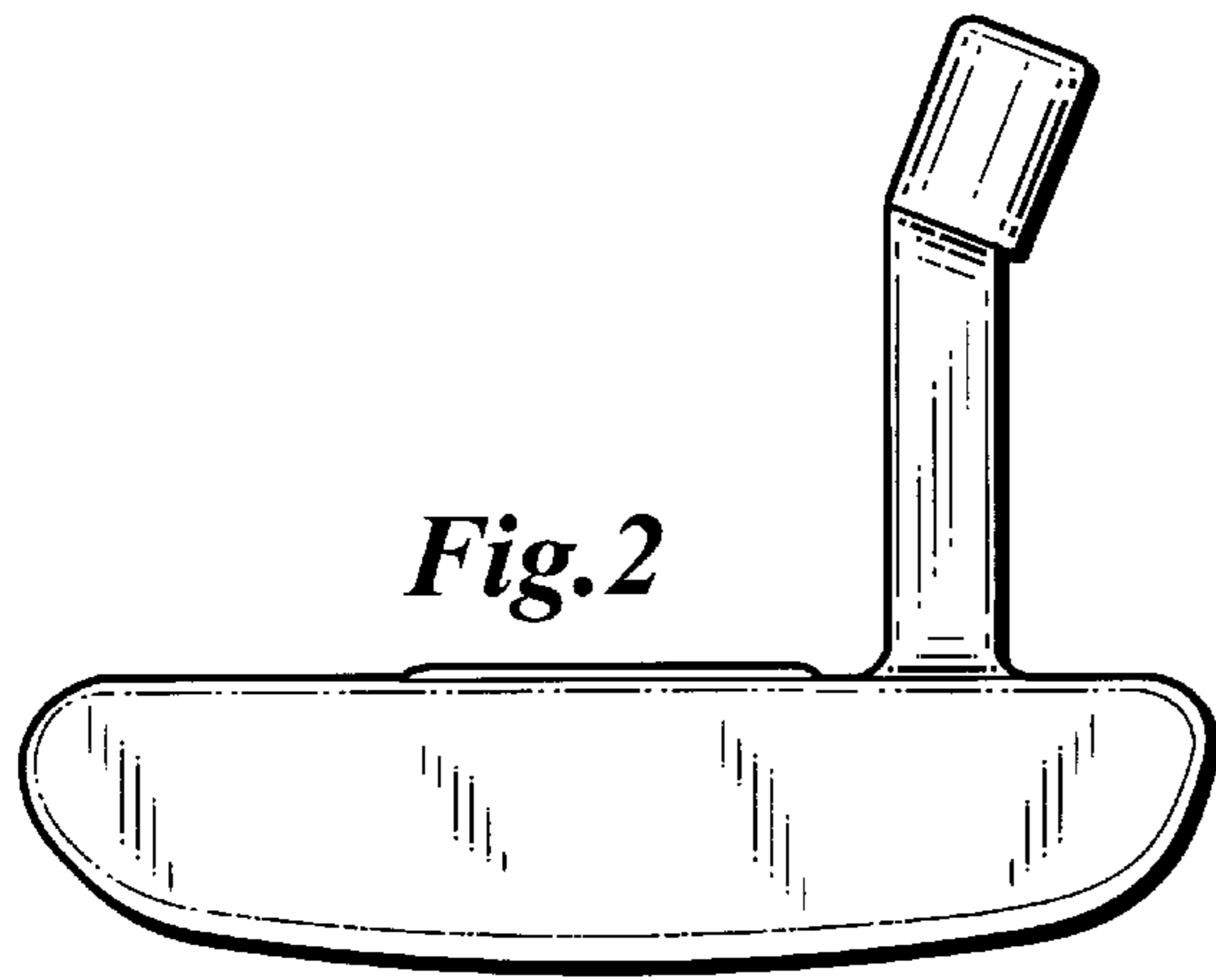


Fig.2

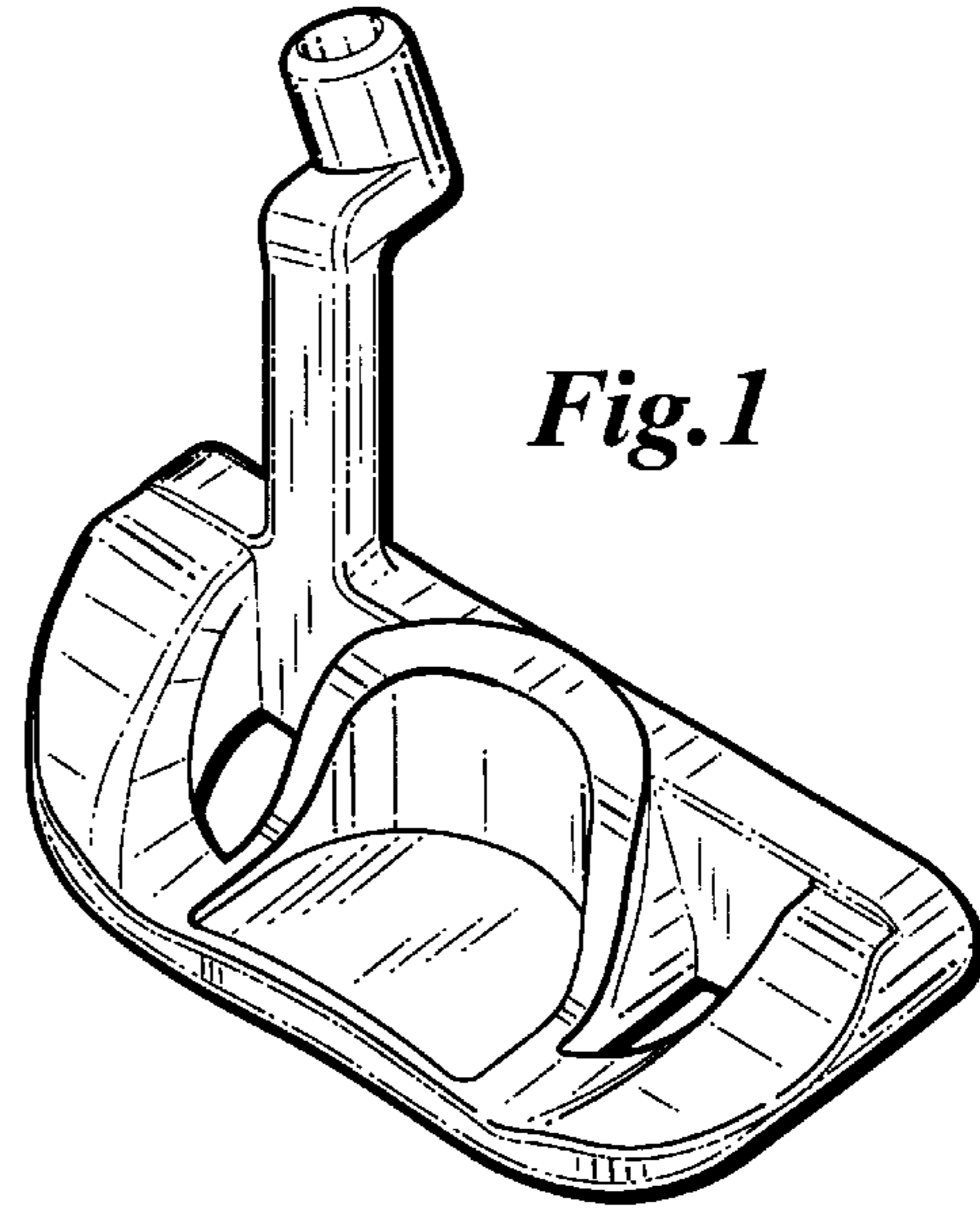


Fig.1

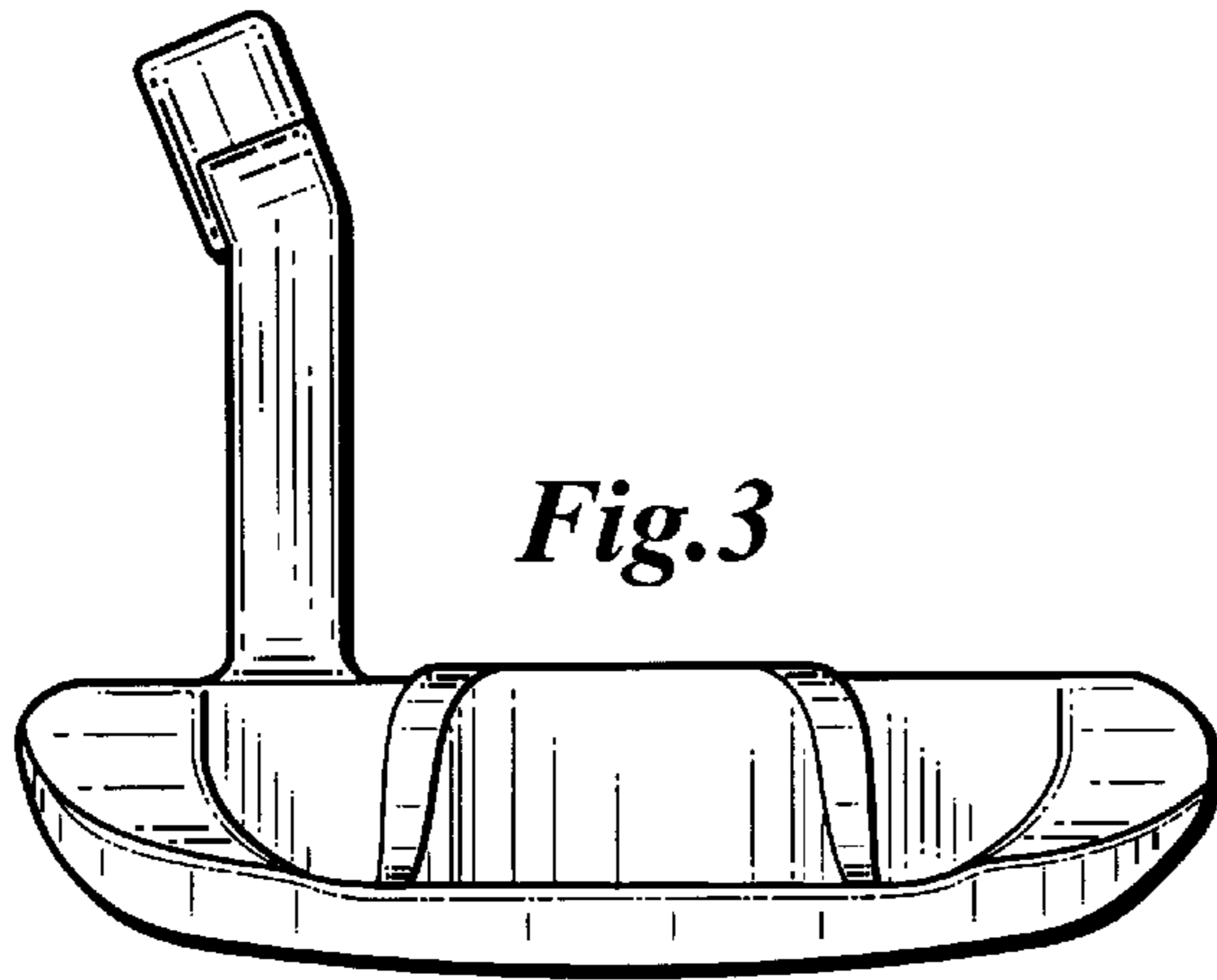


Fig.3

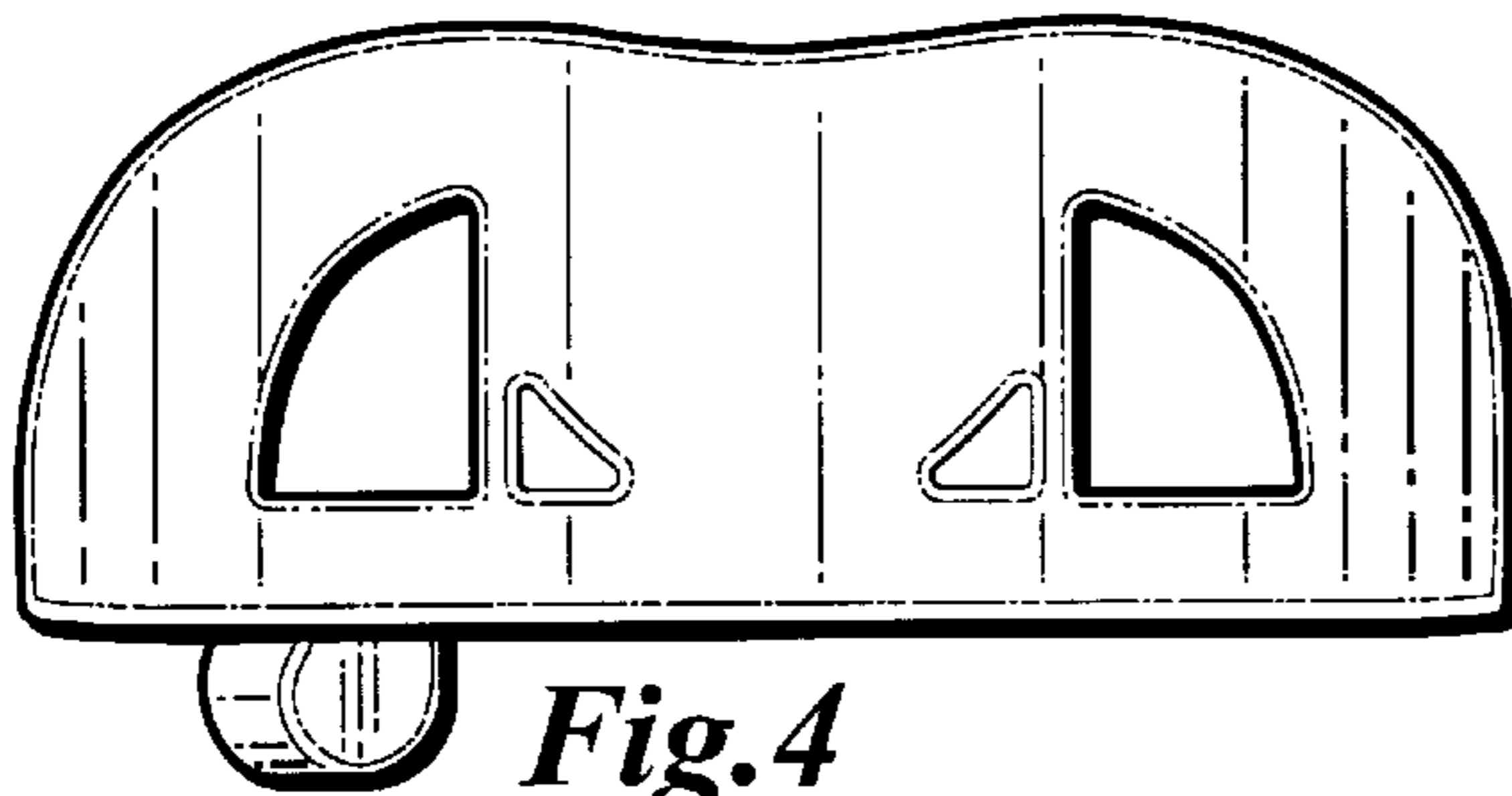


Fig.4

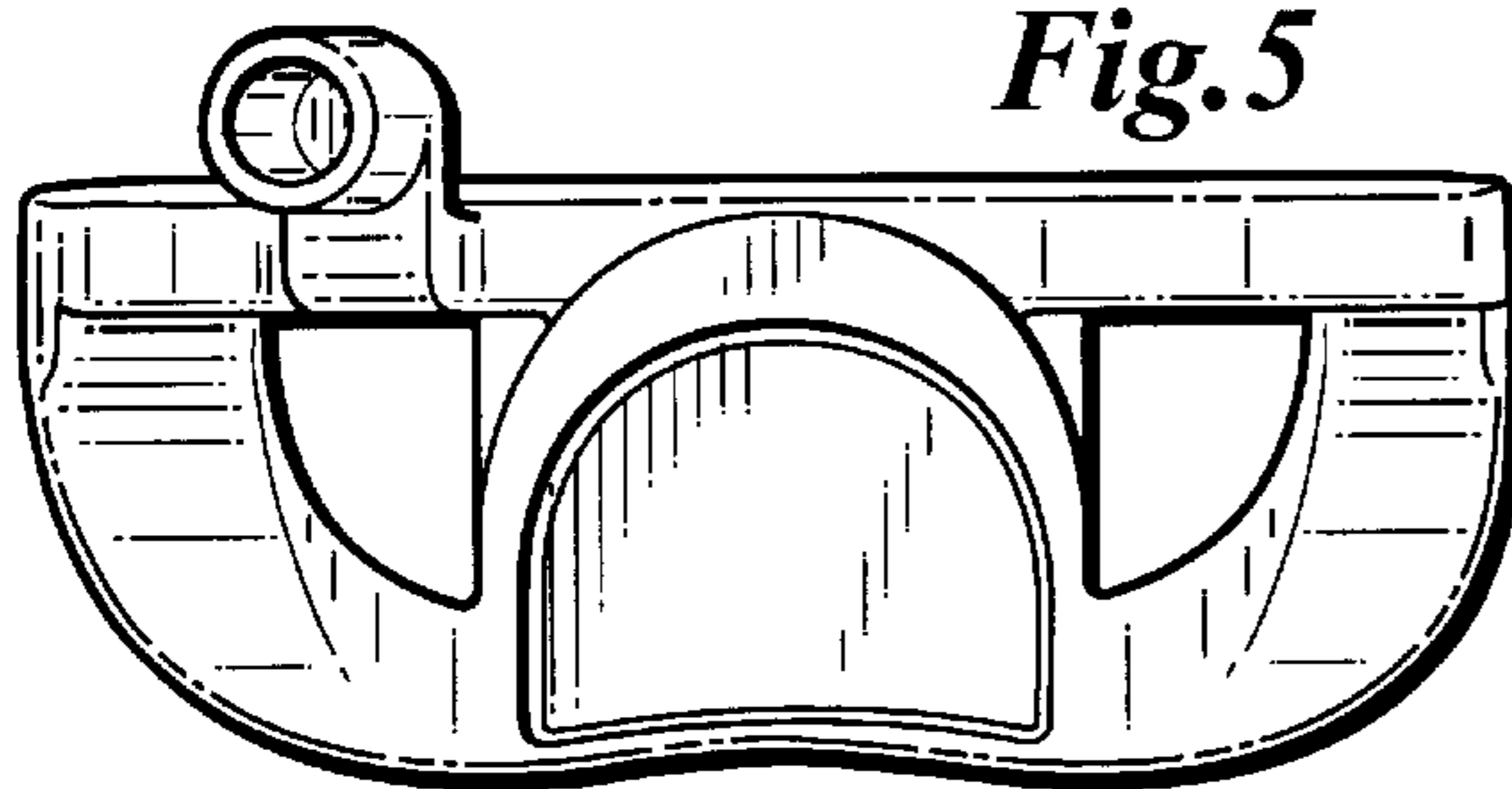


Fig.5

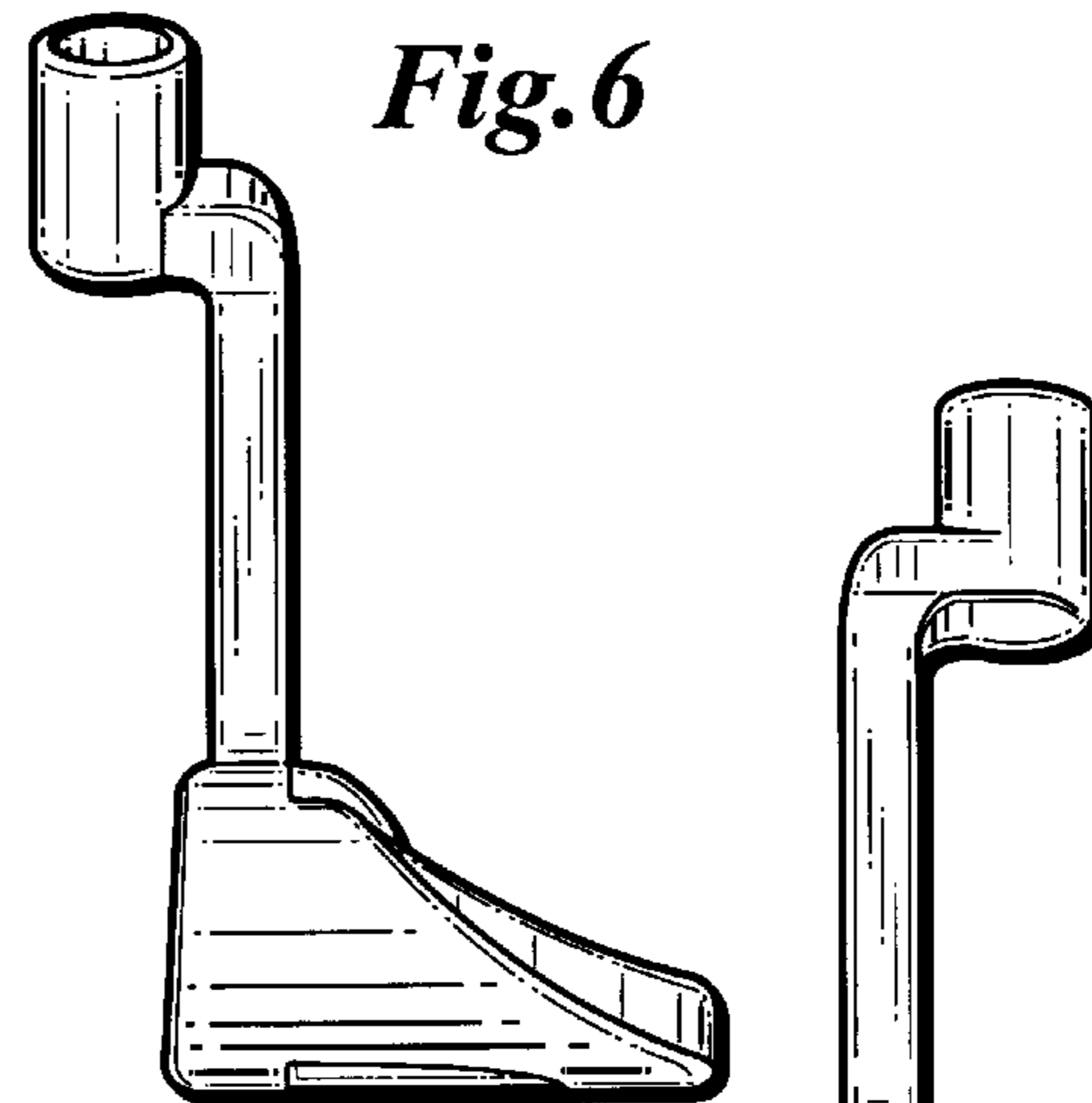


Fig.6



Fig.7