



US00D527776S

(12) **United States Design Patent**
Willardson et al.

(10) **Patent No.:** **US D527,776 S**

(45) **Date of Patent:** **** Sep. 5, 2006**

(54) **EXERCISE SYSTEM HANDLE**

(75) Inventors: **Jared Willardson**, Smithfield, UT (US); **William T. Dalebout**, North Logan, UT (US)

(73) Assignee: **ICON IP, Inc.**, Logan, UT (US)

(**) Term: **14 Years**

(21) Appl. No.: **29/211,799**

(22) Filed: **Aug. 20, 2004**

(51) **LOC (8) Cl.** **21-02**

(52) **U.S. Cl.** **D21/694**

(58) **Field of Classification Search** D21/662,
D21/673, 674, 675, 676, 694; 482/139, 136,
482/137, 100, 112

See application file for complete search history.

(56) **References Cited**

U.S. PATENT DOCUMENTS

- D262,815 S * 1/1982 Lambert et al. D21/694
- D347,041 S * 5/1994 Calderone D21/694
- D358,183 S * 5/1995 Habing et al. D21/675
- D367,900 S * 3/1996 Hu D21/676
- D370,039 S * 5/1996 May et al. D21/675
- D370,040 S * 5/1996 Habing et al. D21/675
- 6,004,247 A * 12/1999 Webber 482/100

- D439,939 S * 4/2001 Batca et al. D21/676
- D439,941 S * 4/2001 Batca et al. D21/676
- D439,943 S * 4/2001 Webber et al. D21/694
- D457,580 S * 5/2002 Webber D21/675

* cited by examiner

Primary Examiner—Philip S. Hyder

(74) *Attorney, Agent, or Firm*—Workman Nydegger

(57) **CLAIM**

The ornamental design for an exercise system handle, as shown and described.

DESCRIPTION

FIG. 1 is a perspective view of an exercise system handle showing my new design, with an exercise device shown in broken line form;

FIG. 2 is a perspective view of the handle shown in FIG. 1; FIG. 3 is a front view of the handle shown in FIG. 1, the rear view being the mirror image thereof;

FIG. 4 is a left side view of the handle shown in FIG. 1;

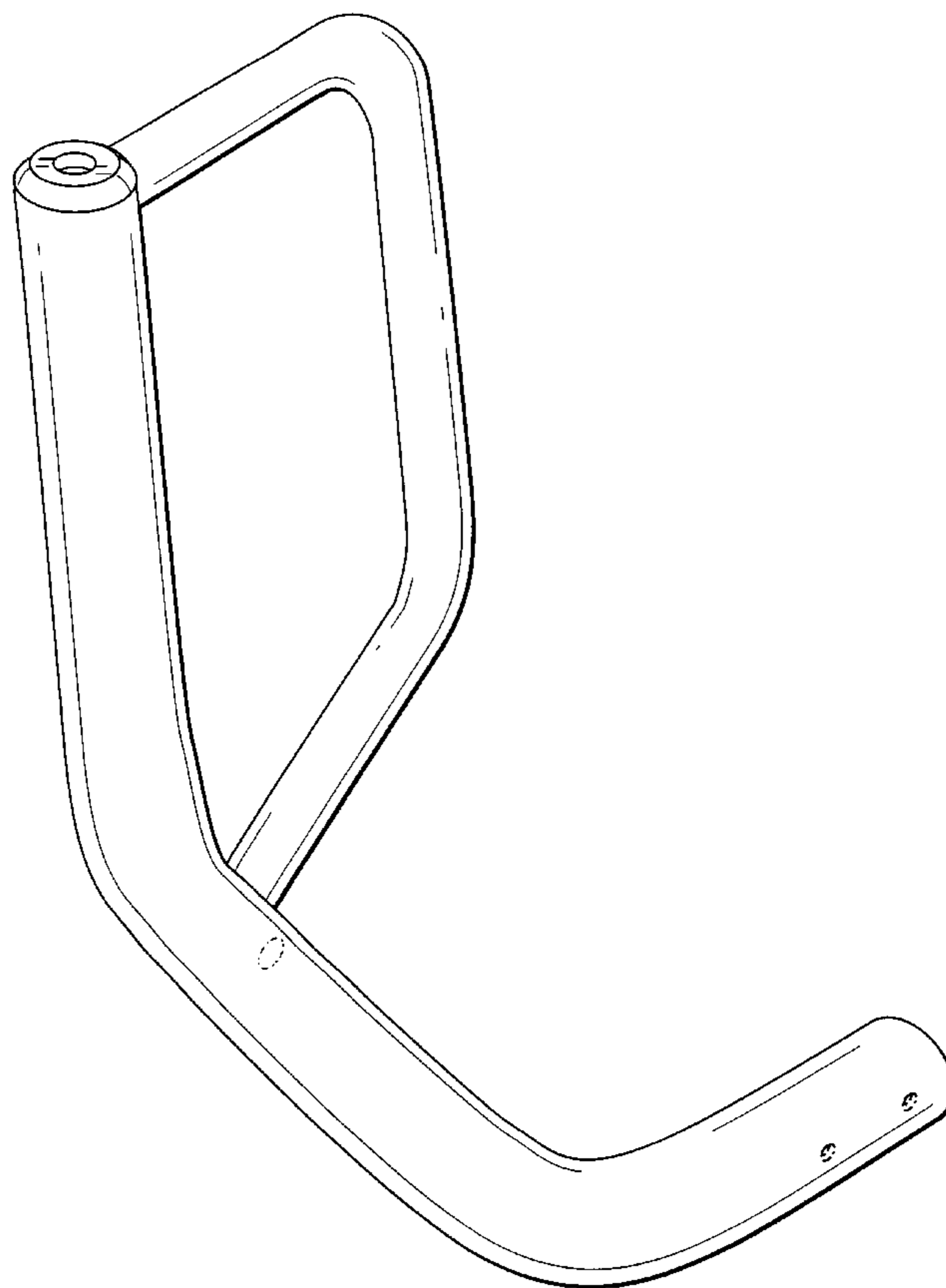
FIG. 5 is a top view of the handle shown in FIG. 1;

FIG. 6 is a bottom view of the handle shown in FIG. 1; and,

FIG. 7 is right side view of the handle shown in FIG. 1.

The objects shown in broken, phantom lines are shown for environmental purposes only and form no part of the claimed design.

1 Claim, 3 Drawing Sheets



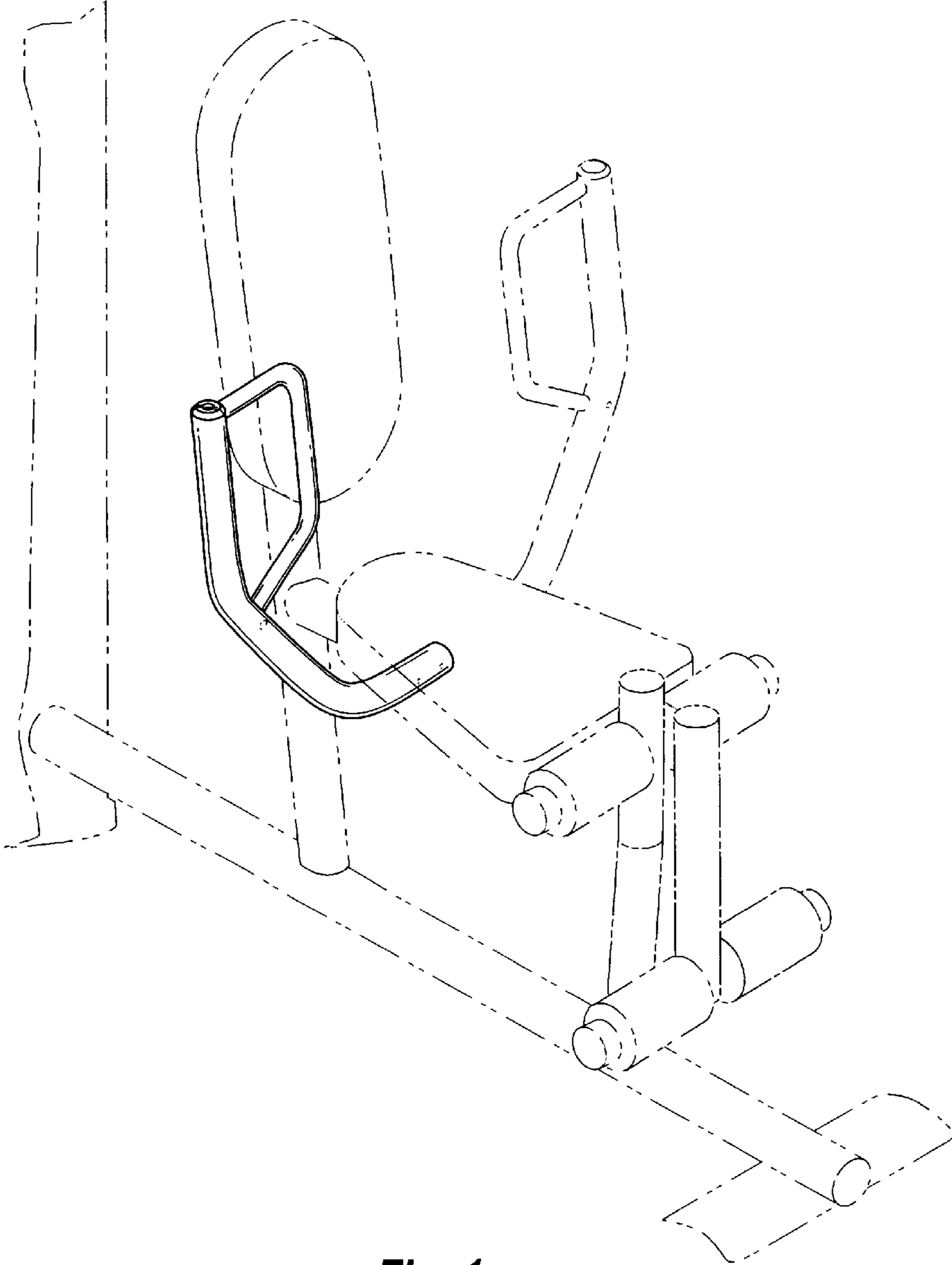


Fig. 1

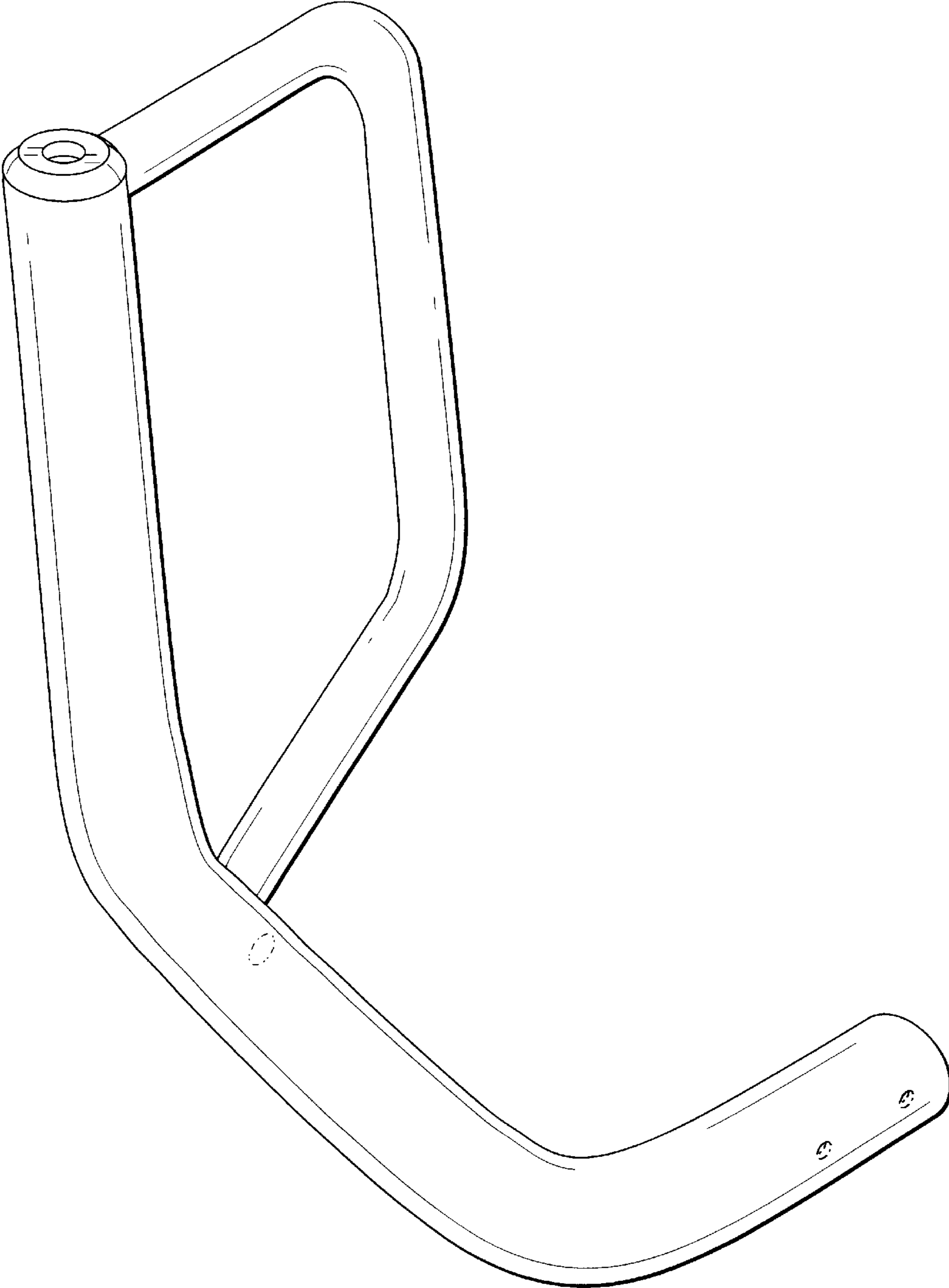


Fig. 2



Fig. 5



Fig. 4

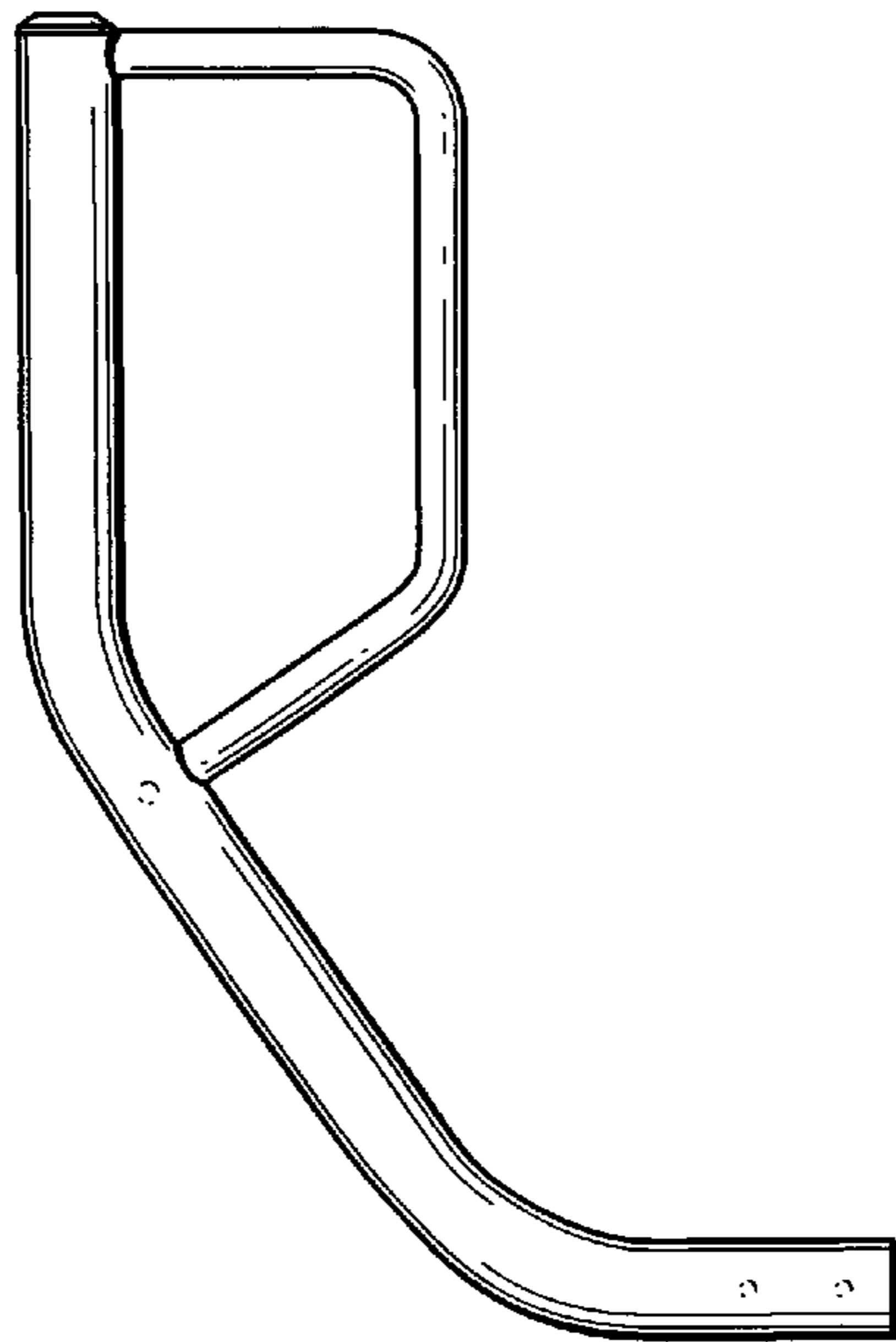


Fig. 3



Fig. 7

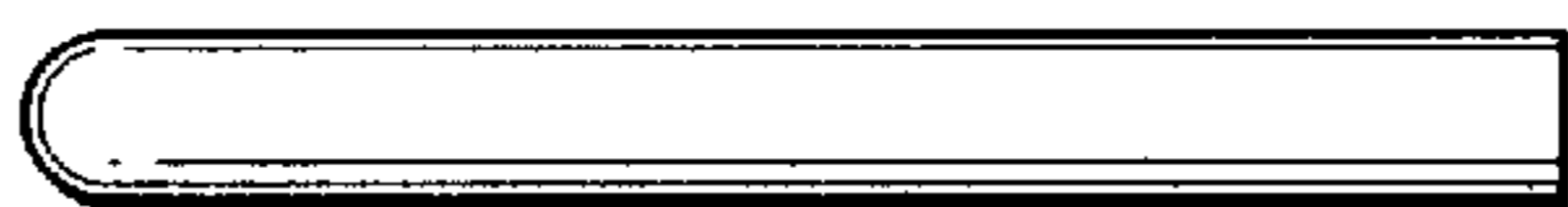


Fig. 6