



US00D527773S

(12) **United States Design Patent** (10) **Patent No.:** **US D527,773 S**
Proch et al. (45) **Date of Patent:** **** Sep. 5, 2006**

(54) **TOY VEHICLE**

(75) Inventors: **Nathan Proch**, Los Angeles, CA (US);
Jun Imai, Torrance, CA (US)

(73) Assignee: **Mattel, Inc.**, El Segundo, CA (US)

(**) Term: **14 Years**

(21) Appl. No.: **29/215,866**

(22) Filed: **Oct. 25, 2004**

(51) **LOC (8) Cl.** **21-01**

(52) **U.S. Cl.** **D21/548**

(58) **Field of Classification Search** D21/548,
D21/549, 533, 550-560, 424-435; D12/86,
D12/90, 91-92; 446/465, 470, 220, 454;
280/87.01, 87.021, 1.13; 180/169, 116, 117,
180/119

See application file for complete search history.

(56) **References Cited**

U.S. PATENT DOCUMENTS

D248,682 S	*	7/1978	Darda	D21/548
D275,873 S	*	10/1984	Manning et al.	D21/548
D281,000 S	*	10/1985	Kuna et al.	D21/559
D289,909 S	*	5/1987	Bollinger et al.	D21/548
D368,746 S	*	4/1996	Chilton et al.	D21/584
D410,258 S	*	5/1999	Lerch	D21/433
D419,207 S	*	1/2000	Lieberman	D21/549
D424,634 S	*	5/2000	Hollis et al.	D21/548

OTHER PUBLICATIONS

Tower Hobbies 2004 cat. cover.*

U.S. Toy cat. 2002 p. 70.*

* cited by examiner

Primary Examiner—Raphael Barkai

Assistant Examiner—Randall H. Gholson

(74) *Attorney, Agent, or Firm*—Alleman Hall McCoy
Russell & Tuttle LLP

(57) **CLAIM**

I claim the ornamental design for a toy vehicle, as shown and described.

DESCRIPTION

FIG. 1 is a top view of a toy vehicle.

FIG. 2 is a side view of the vehicle of FIG. 1. The opposing side of the toy vehicle is a mirror image of FIG. 2.

FIG. 3 is a bottom view of the vehicle of FIG. 1.

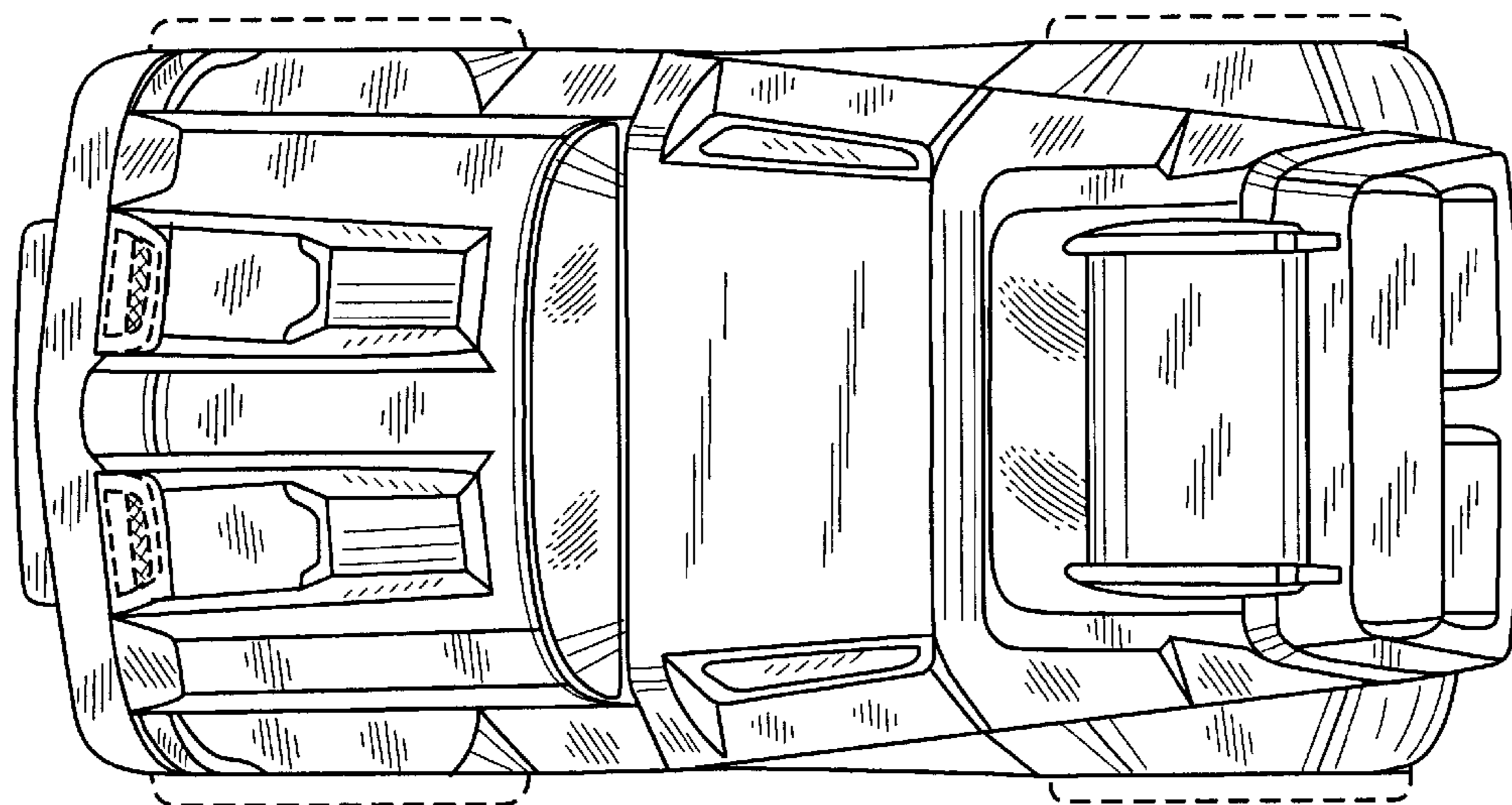
FIG. 4 is a front view of the vehicle of FIG. 1; and,

FIG. 5 is a rear view of the vehicle of FIG. 1.

The broken or dashed lines shown in the drawings are for illustrative purposes only and form no part of the claimed design.

The shading lines shown in the drawings represent three-dimensional contour of the design, and are not intended to indicate surface decoration.

1 Claim, 2 Drawing Sheets



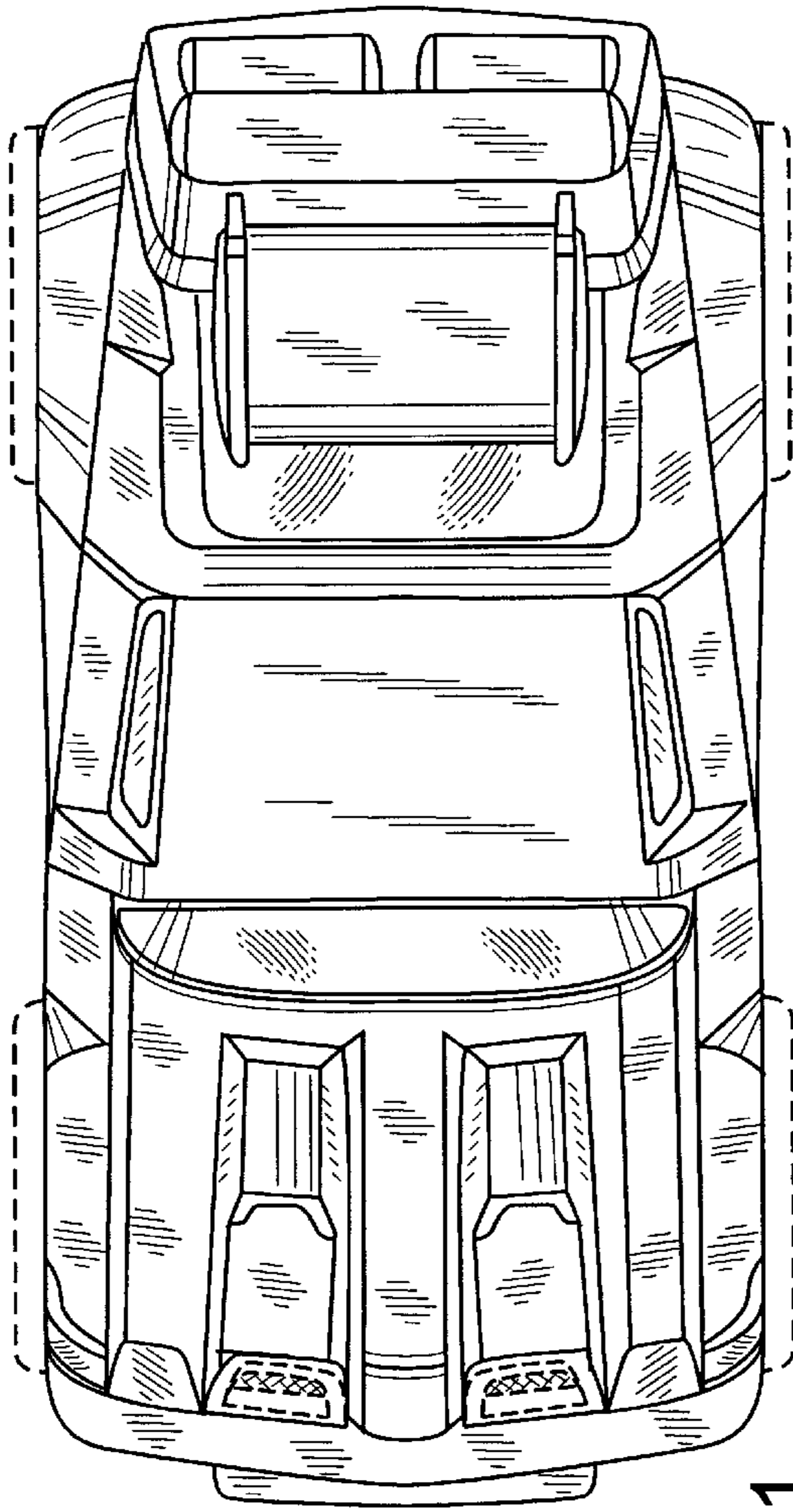


FIG. 1

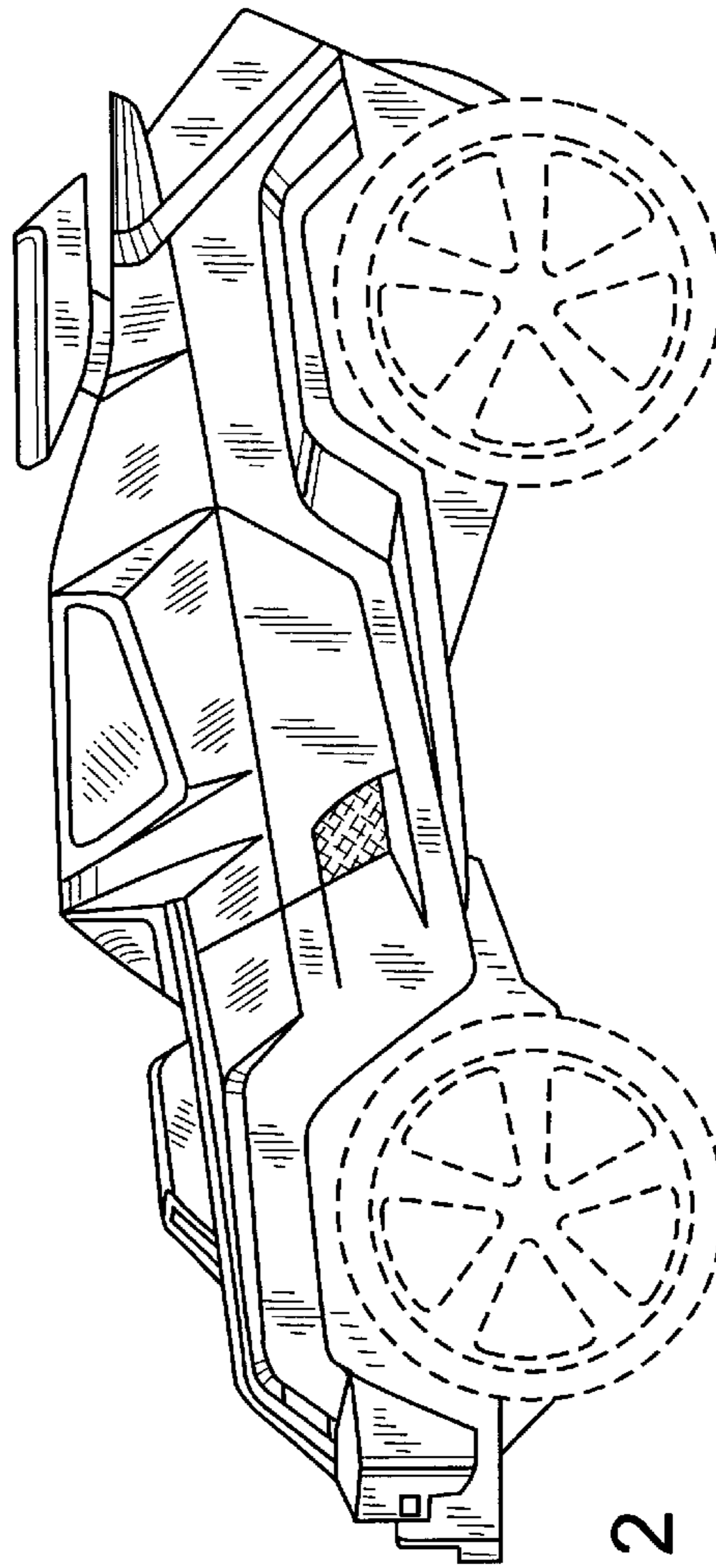


FIG. 2

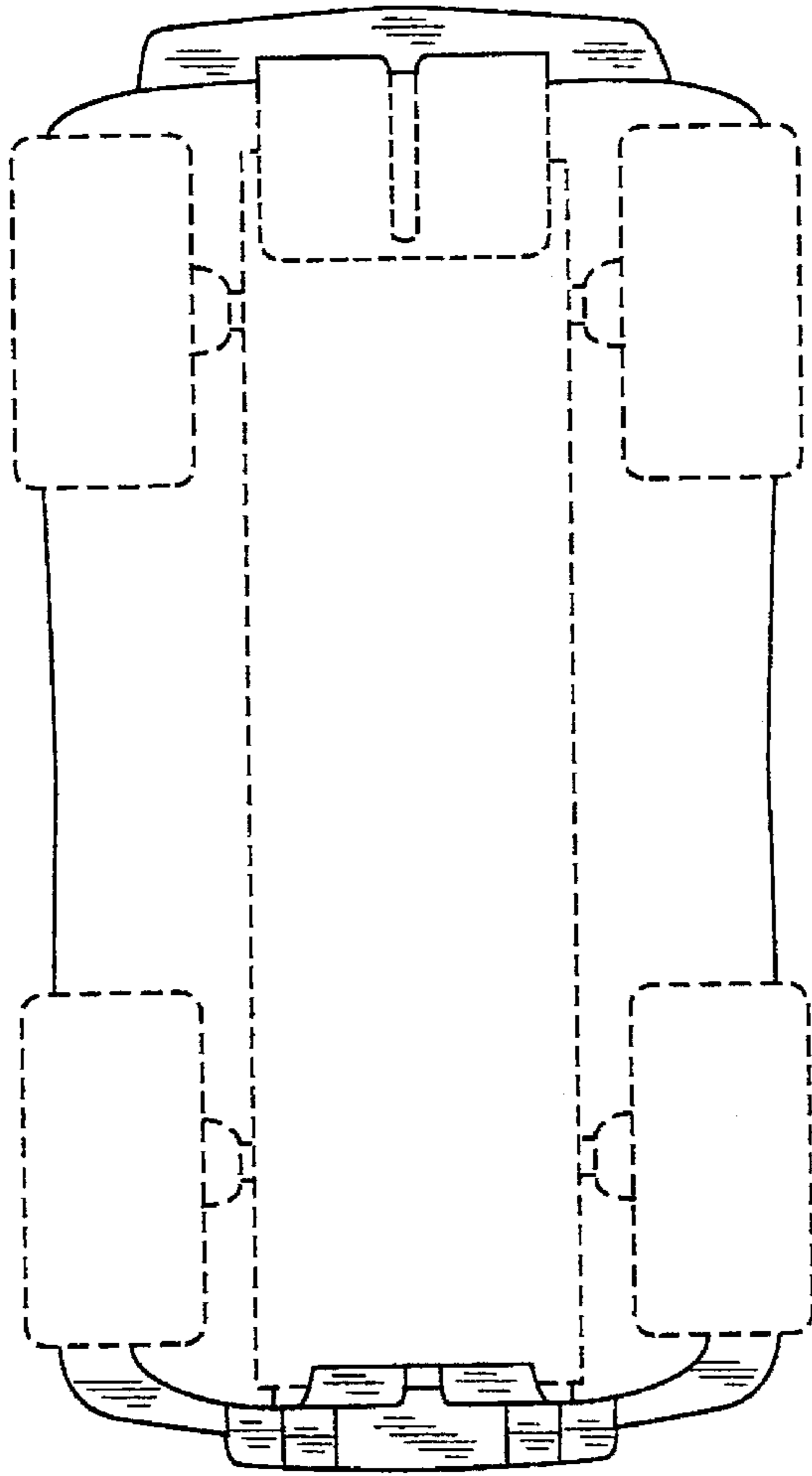


FIG. 3

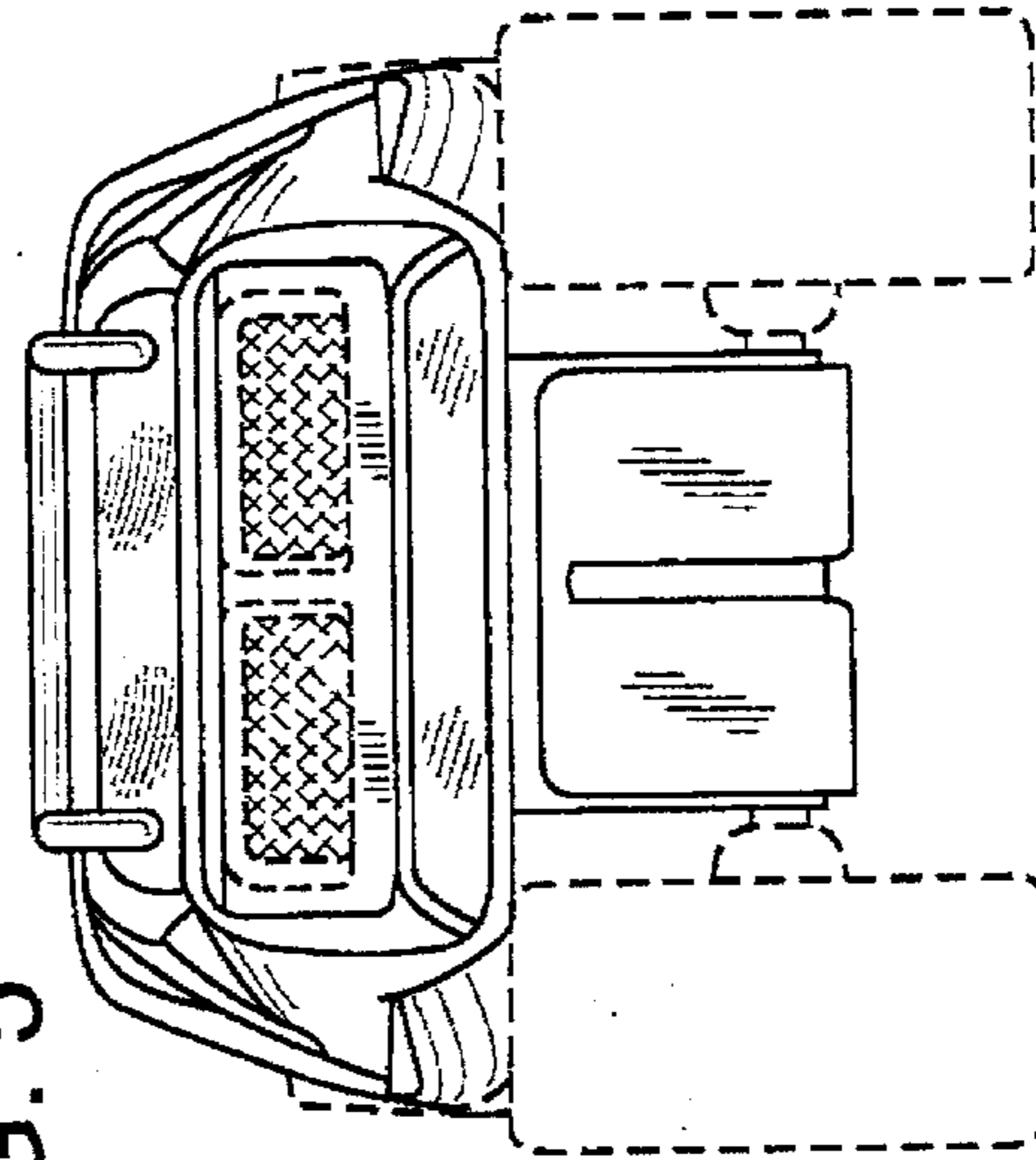


FIG. 5

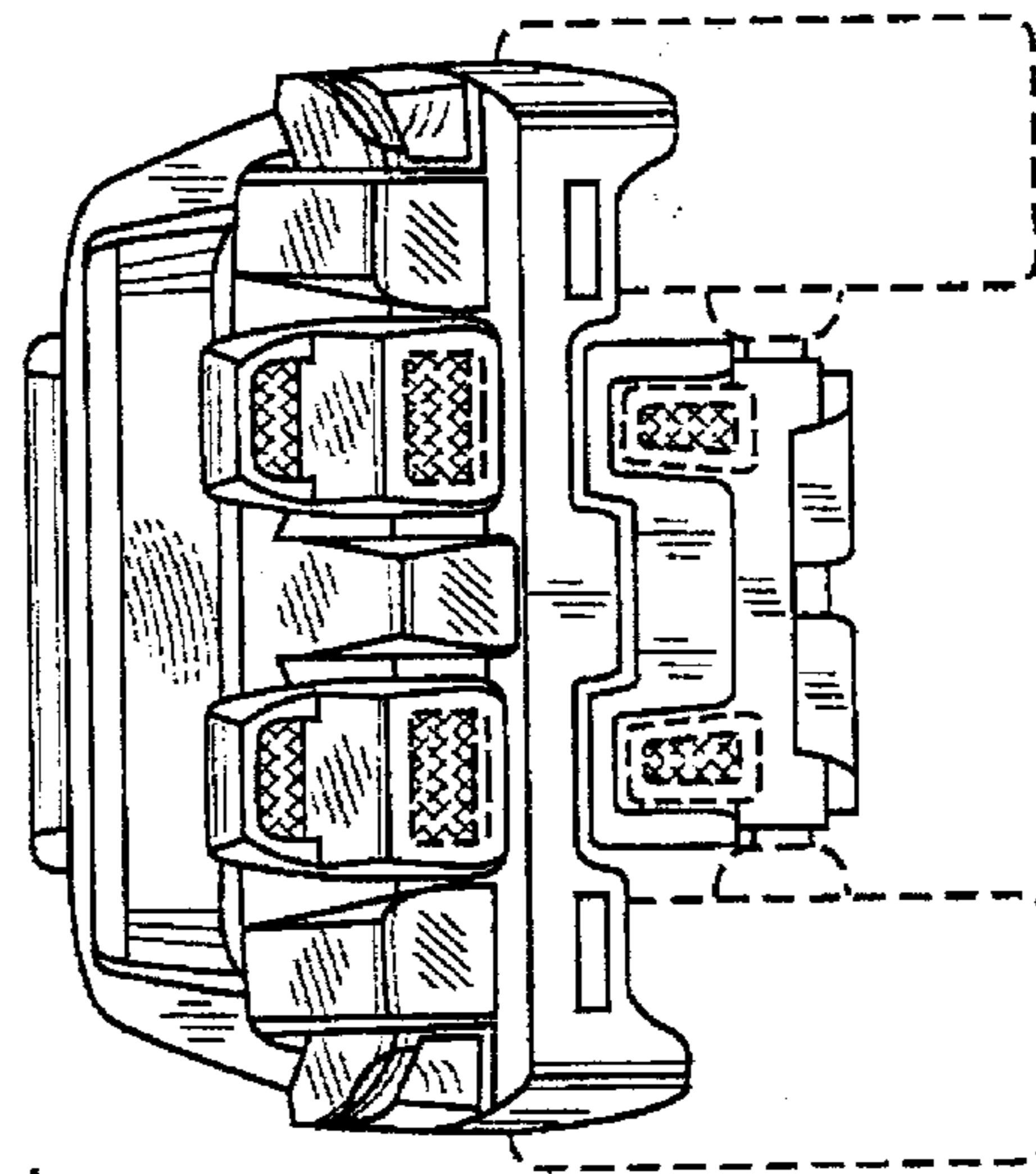


FIG. 4