



US00D527772S

(12) **United States Design Patent**
Bowen et al.

(10) **Patent No.:** **US D527,772 S**

(45) **Date of Patent:** **** Sep. 5, 2006**

(54) **TOY VEHICLE**

(75) Inventors: **David Bowen**, Hermosa Beach, CA
(US); **LaVonne E. Strand**, Folcroft, PA
(US)

(73) Assignee: **Mattel, Inc.**, El Segundo, CA (US)

(**) Term: **14 Years**

D320,821 S	10/1991	Mochizuki
5,259,808 A	11/1993	Garr
5,334,075 A	8/1994	Kakizaki et al.
5,334,077 A	8/1994	Bailey
5,482,494 A	1/1996	Ishimoto
D377,956 S *	2/1997	Chuang D21/548
5,618,219 A	4/1997	Simone et al.
D379,386 S *	5/1997	Chuang D21/548
5,725,412 A	3/1998	Ishimoto
5,727,985 A	3/1998	George et al.

(21) Appl. No.: **29/210,435**

(22) Filed: **Jul. 30, 2004**

(51) **LOC (8) Cl.** **21-01**

(52) **U.S. Cl.** **D21/533; D21/550**

(58) **Field of Classification Search** D21/433,
D21/434, 533, 548-550, 552, 556, 559, 584;
D12/93, 96-98, 87, 88; 446/93, 95, 441,
446/465, 469-471, 444, 448-451, 454-457
See application file for complete search history.

(Continued)

FOREIGN PATENT DOCUMENTS

GB 2328621 A 3/1999

OTHER PUBLICATIONS

Mattel Catalog 1999, (front cover, introduction page with
copyright notice and p. 145, El Segundo, CA.
U.S. Appl. No. 29/182,350; Justin Discoe, et al., filed May
23, 2003, (Abandoned May 10, 2004).

(56) **References Cited**

U.S. PATENT DOCUMENTS

1,651,292 A	11/1927	Ramage
2,182,642 A	12/1939	Rexford
2,189,759 A	2/1940	Lohr et al.
2,247,354 A	7/1941	Berger
3,000,137 A	9/1961	Vine
3,538,640 A	11/1970	Hayes et al.
3,892,086 A	7/1975	Gay et al.
4,300,308 A	11/1981	Ikeda
4,363,187 A	12/1982	Shinohara
4,466,214 A	8/1984	Kulesza et al.
4,490,124 A	12/1984	Ogawa
4,591,346 A	5/1986	Ikeda
4,666,420 A	5/1987	Nagano
4,676,763 A	6/1987	Saito et al.
4,680,021 A	7/1987	Maxim
4,702,720 A	10/1987	Konta et al.
4,705,487 A	11/1987	Ishimoto
4,894,042 A	1/1990	Kamikawa
4,911,669 A	3/1990	Parker
D309,930 S *	8/1990	Asaeda D21/548
5,019,009 A	5/1991	Chao-Chin et al.
D318,924 S	8/1991	Yoshino

Primary Examiner—Raphael Barkai
Assistant Examiner—Randall H. Gholson
(74) *Attorney, Agent, or Firm*—Akin Gump Strauss Hauer
& Feld, LLP

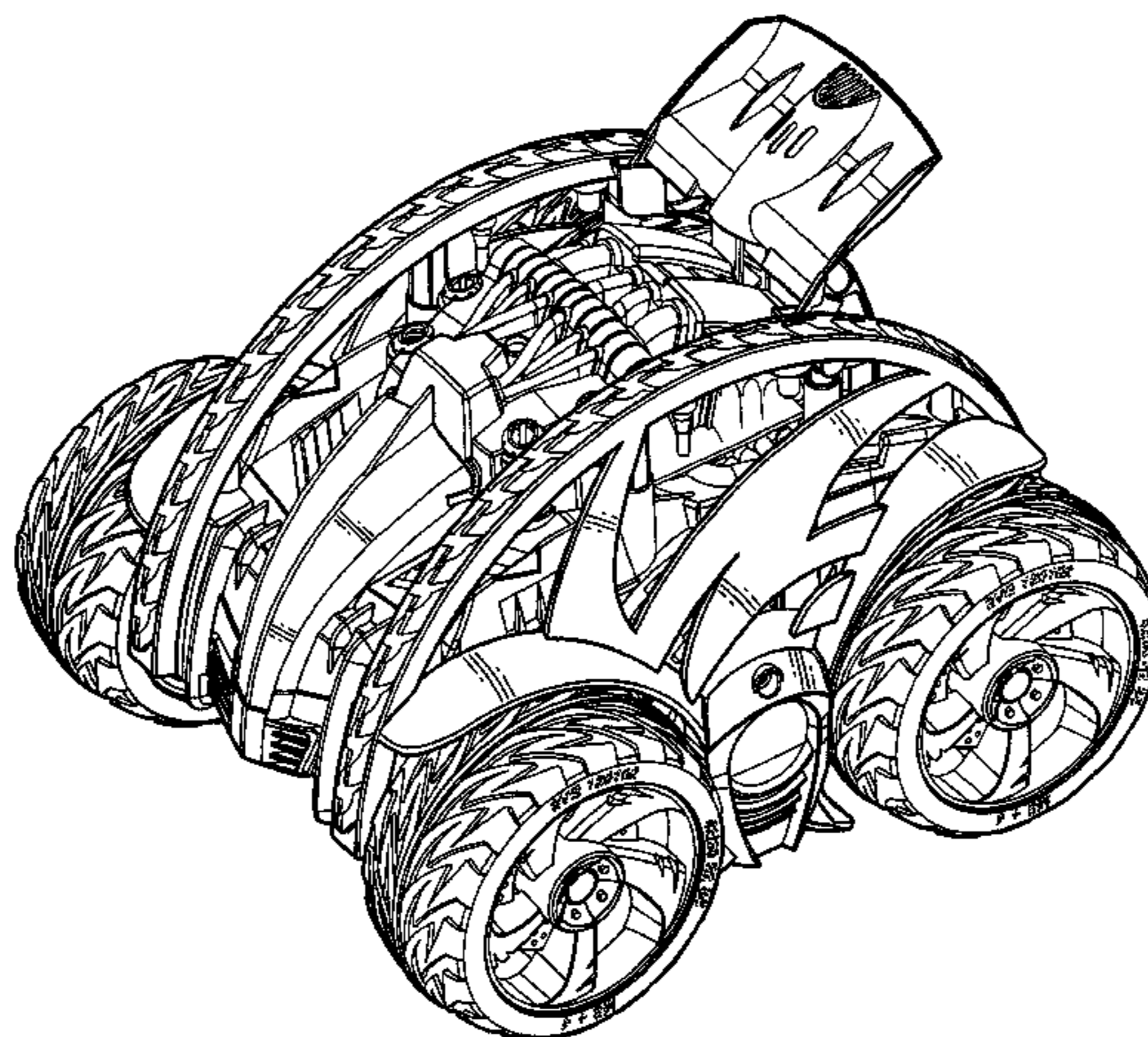
(57) **CLAIM**

The ornamental design for a toy vehicle, as shown and
described.

DESCRIPTION

FIG. 1 is an upper/left/front perspective view of a toy
vehicle in accordance with our new design;
FIG. 2 is a left side elevation view thereof, the right side
elevation being a mirror image;
FIG. 3 is a top plan view thereof;
FIG. 4 is a bottom plan view thereof;
FIG. 5 is a front elevation view thereof; and,
FIG. 6 is a rear elevation view thereof thereof.
The lettering on the tires is not part of the claimed design.

1 Claim, 6 Drawing Sheets



US D527,772 S

Page 2

U.S. PATENT DOCUMENTS							
5,727,986	A	3/1998	Stubenfol et al.	6,478,655	B1	11/2002	Wu
D408,471	S	4/1999	Smolarczyk	6,540,583	B1	4/2003	Hoeting et al.
D410,258	S	5/1999	Lerch	6,565,409	B1	5/2003	Isogai
5,919,075	A	* 7/1999	George et al. 446/437	6,620,023	B1	9/2003	Yeung
D424,132	S	5/2000	Wei	6,692,333	B1	* 2/2004	Kislevitz et al. 446/437
D425,141	S	5/2000	Park	6,764,376	B1	7/2004	Agostini et al.
6,095,890	A	8/2000	George et al.	D496,409	S	* 9/2004	Tilbor D21/559
6,106,362	A	8/2000	Keller et al.	6,793,555	B1	9/2004	Tilbor et al.
D431,612	S	10/2000	Choi	D498,798	S	* 11/2004	Wei D21/550
6,439,955	B1	8/2002	Feketo	2004/0198165	A1	10/2004	Lee et al.
D466,167	S	* 11/2002	Mullaney et al. D21/558	2005/0014447	A1	1/2005	Bloch et al.

* cited by examiner

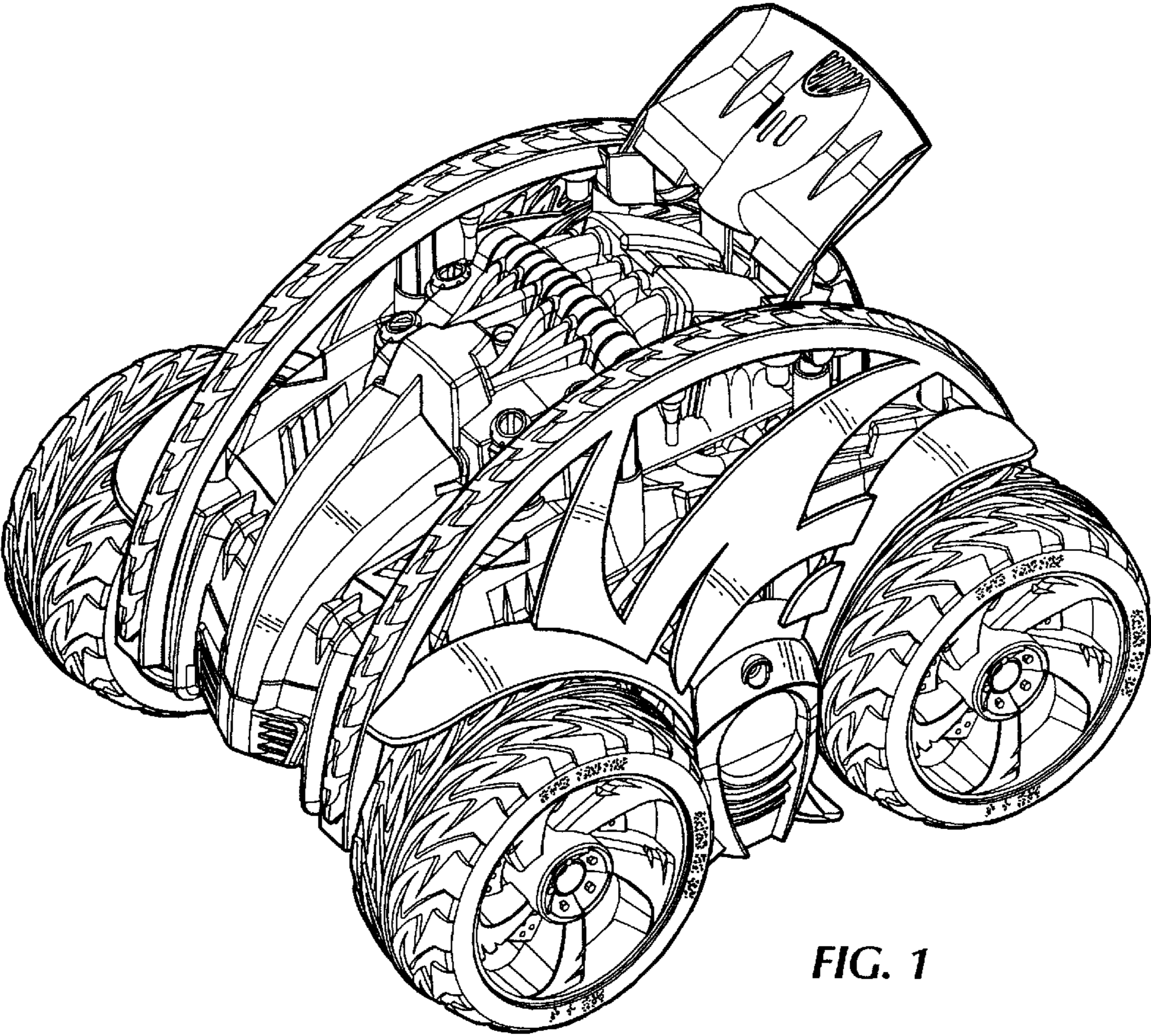


FIG. 1

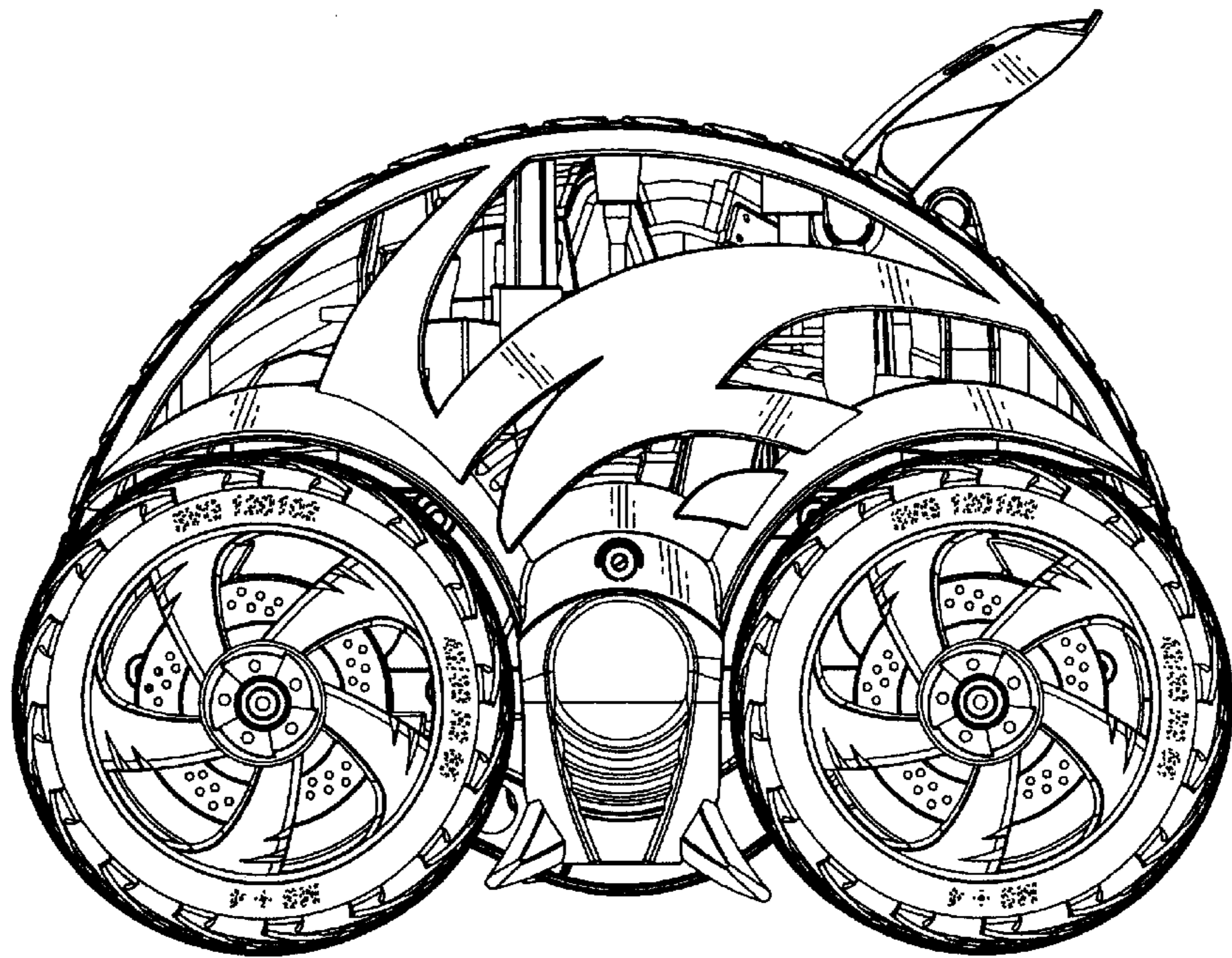


FIG. 2

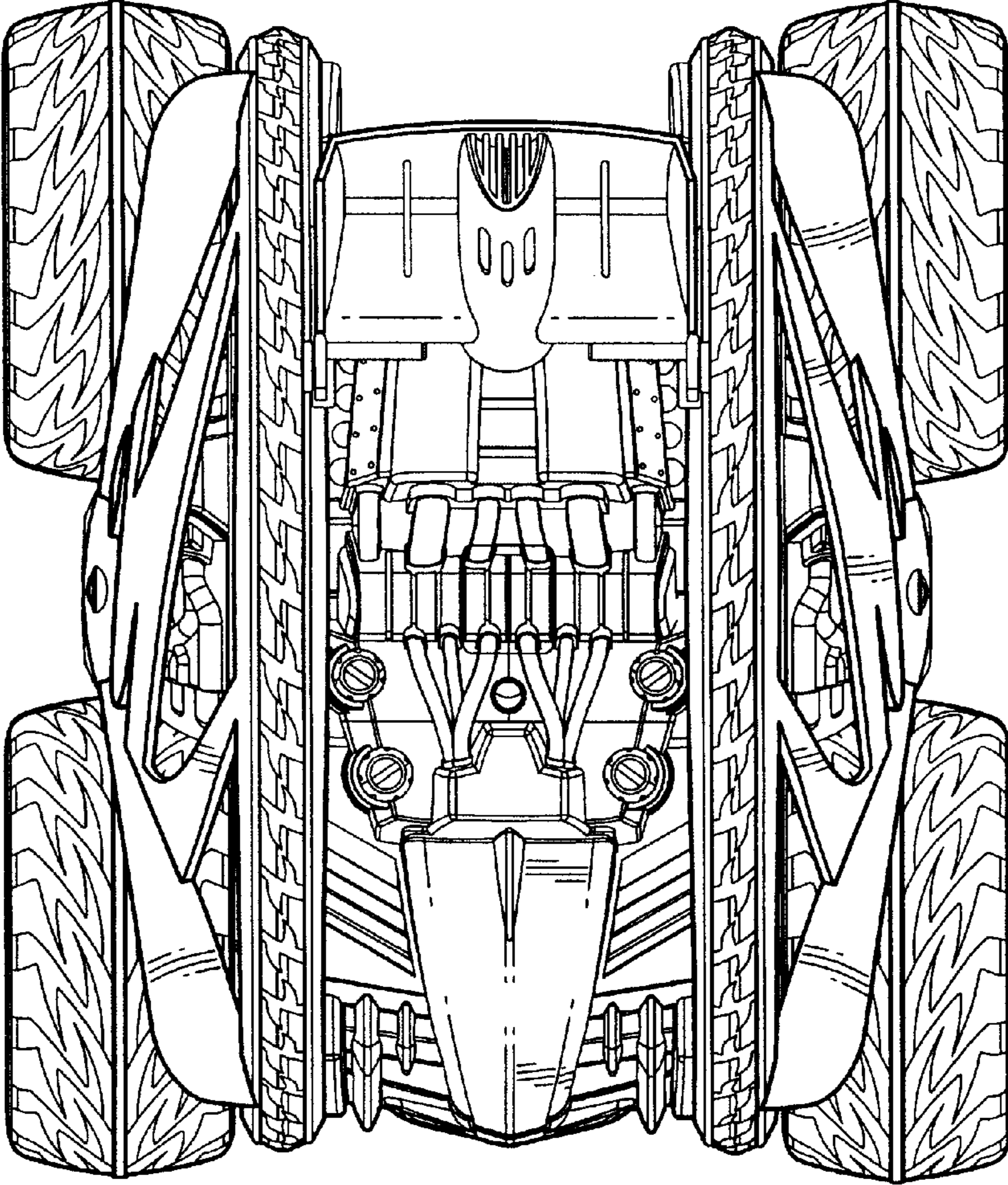


FIG. 3

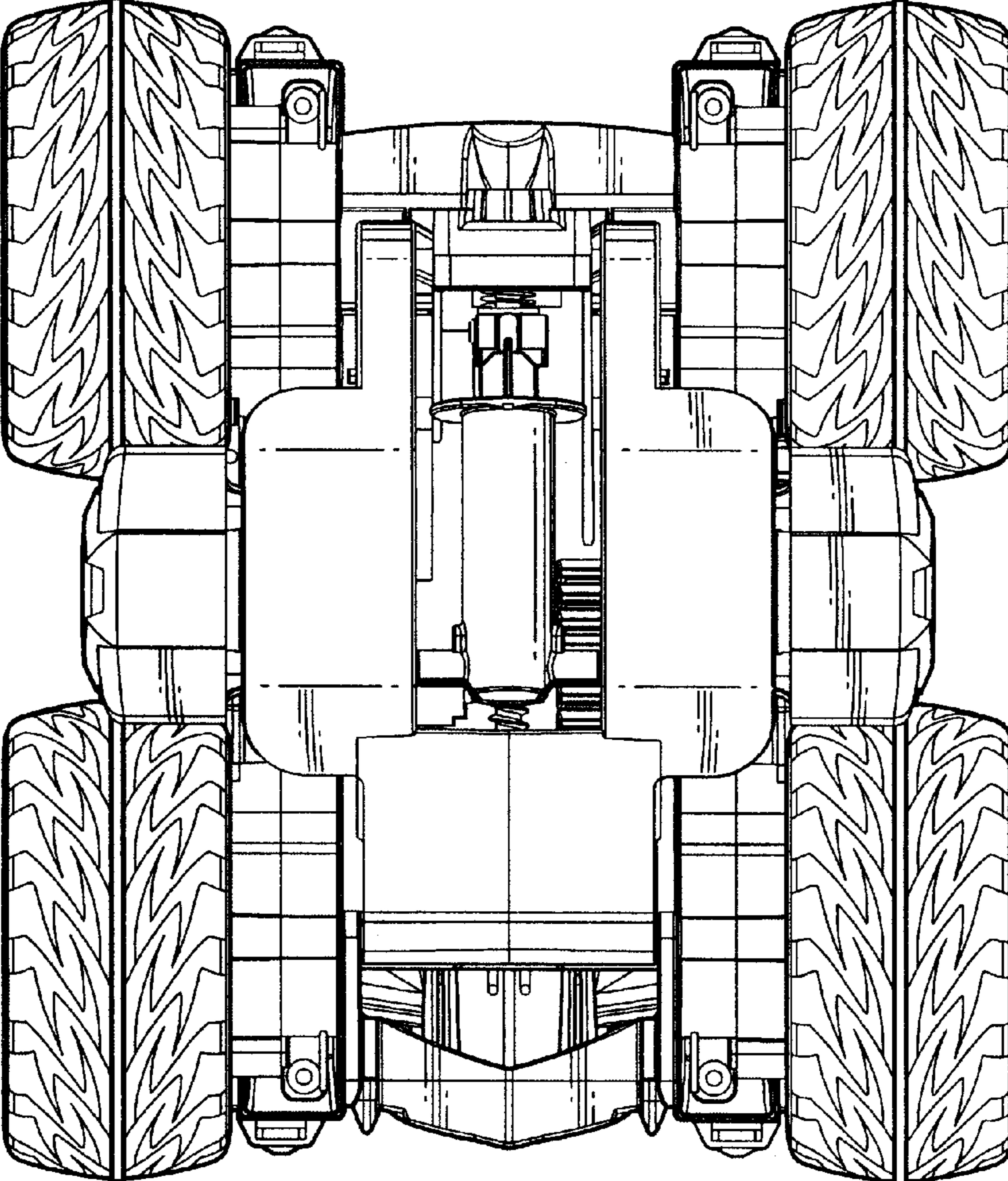


FIG. 4

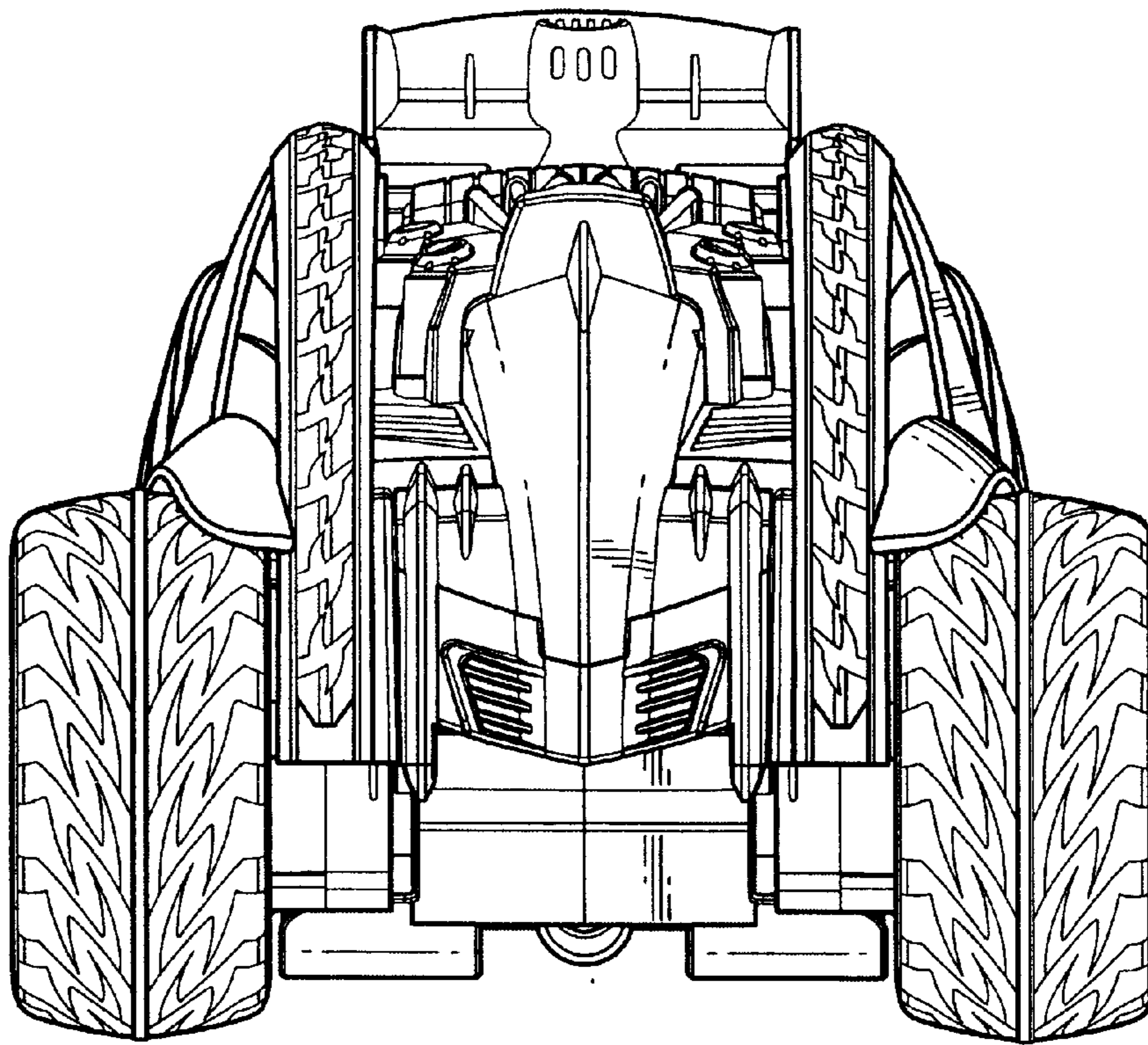


FIG. 5

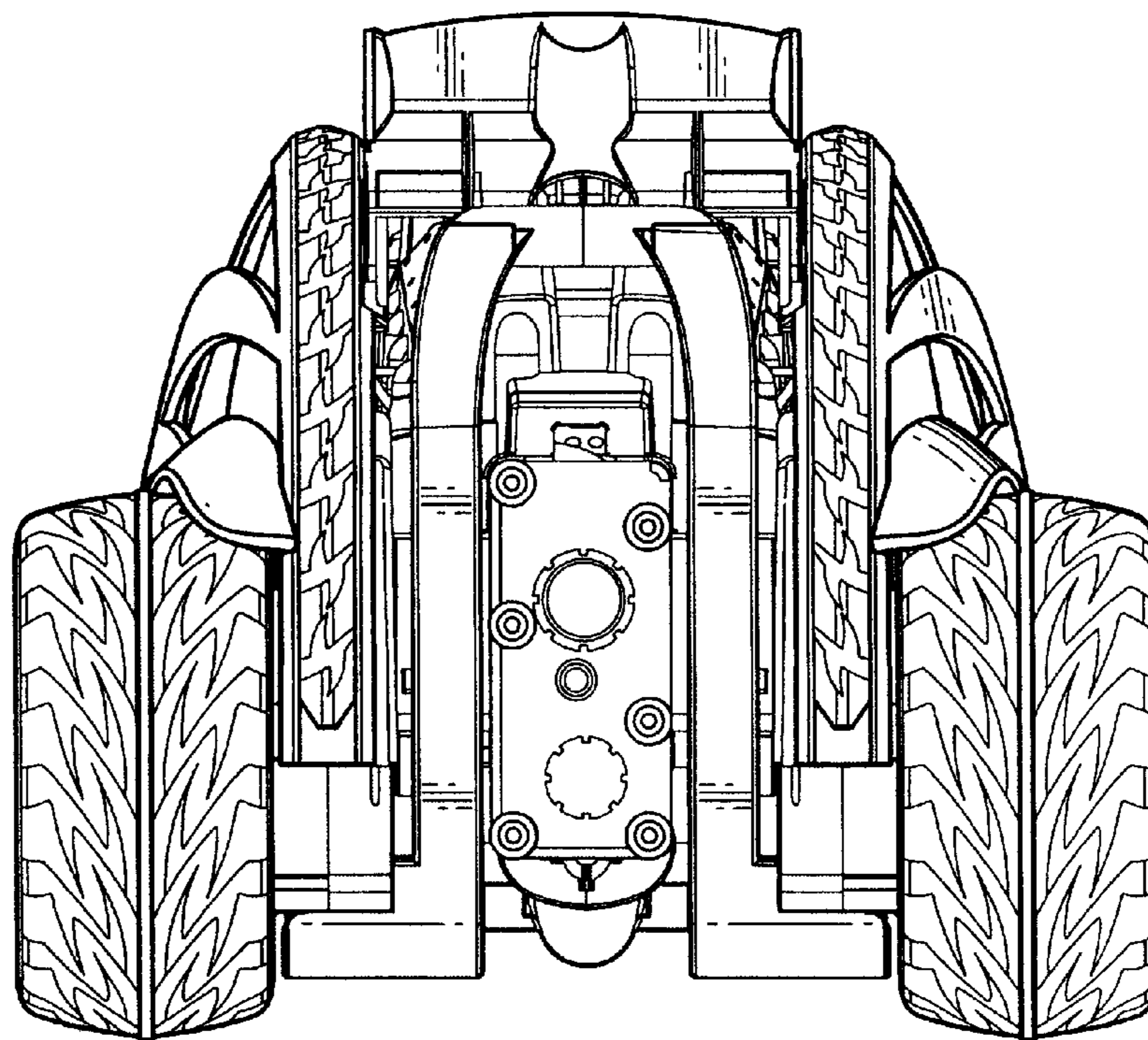


FIG. 6