



US00D527770S

(12) **United States Design Patent** (10) **Patent No.:** **US D527,770 S**
Martin (45) **Date of Patent:** **** *Sep. 5, 2006**

(54) **COLUMN MOUNTABLE PLAYER TRACKING DISPLAY**

(75) Inventor: **Kim Martin**, Las Vegas, NV (US)

(73) Assignee: **IGT**, Reno, NV (US)

(*) Notice: This patent is subject to a terminal disclaimer.

(**) Term: **14 Years**

(21) Appl. No.: **29/200,426**

(22) Filed: **Feb. 27, 2004**

(51) **LOC (8) Cl.** **21-01**

(52) **U.S. Cl.** **D21/385; D21/369**

(58) **Field of Classification Search** D14/371-373,
D14/381-384; D21/369-370, 385; 273/138.1;
463/16-17, 25, 42, 46-47

See application file for complete search history.

(56) **References Cited**

U.S. PATENT DOCUMENTS

D278,069	S	*	3/1985	Wichinsky et al.	D21/370
4,527,798	A	*	7/1985	Siekierski et al.	463/17
4,856,787	A		8/1989	Itkis		
D306,463	S	*	3/1990	Chiba	D21/385
D314,187	S	*	1/1991	Richards et al.	D14/381
D340,049	S	*	10/1993	Liljenwall et al.	D14/371
D346,830	S	*	5/1994	Masujima et al.	D20/41
5,771,615	A	*	6/1998	Welldon et al.	40/406
5,951,397	A		9/1999	Dickinson		
D416,054	S	*	11/1999	McGahn et al.	D21/370
6,015,347	A	*	1/2000	Maahs et al.	463/25
D450,096	S	*	11/2001	Legras et al.	D21/385
6,315,666	B1		11/2001	Mastera et al.		
6,688,984	B1	*	2/2004	Cole	463/46
D488,839	S		4/2004	Bristol et al.		

OTHER PUBLICATIONS

U.S. Appl. No. 29/197,842, filed Jan. 20, 2004, Jeffrey R. Jordan, et al.

U.S. Appl. No. 29/198,015, filed Jan. 23, 2004, Scott Boyd and Kim Martin.

U.S. Appl. No. 29/198,486, filed Jan. 29, 2004, Mike Bristol and Scott Boyd.

U.S. Appl. No. 29/199,020, filed Jan. 29, 2004, Mike Bristol and Scott Boyd.

U.S. Appl. No. 29/198,519, filed Jan. 29, 2004, Mike Bristol and Scott Boyd.

* cited by examiner

Primary Examiner—Sandra L. Morris

(74) *Attorney, Agent, or Firm*—Marger Johnson & McCollom, PC

(57) **CLAIM**

An ornamental design for the column mountable player tracking display, as shown and described.

DESCRIPTION

FIG. 1 is an isometric view of my column mountable player tracking display showing my new design. A pair of speaker grills, player-card slot, and possible environment are shown in dashed lines, and are not part of the claimed design;

FIG. 2 is a front elevational view of the design of FIG. 1; FIG. 3 is a top plan view of the design of FIG. 1;

FIG. 4 is a left side elevational view of the design of FIG. 1;

FIG. 5 is a right side elevational view of the design of FIG. 1;

FIG. 6 is a rear elevational view of the design of FIG. 1; and, FIG. 7 is a bottom plan view of the design of FIG. 1.

1 Claim, 2 Drawing Sheets

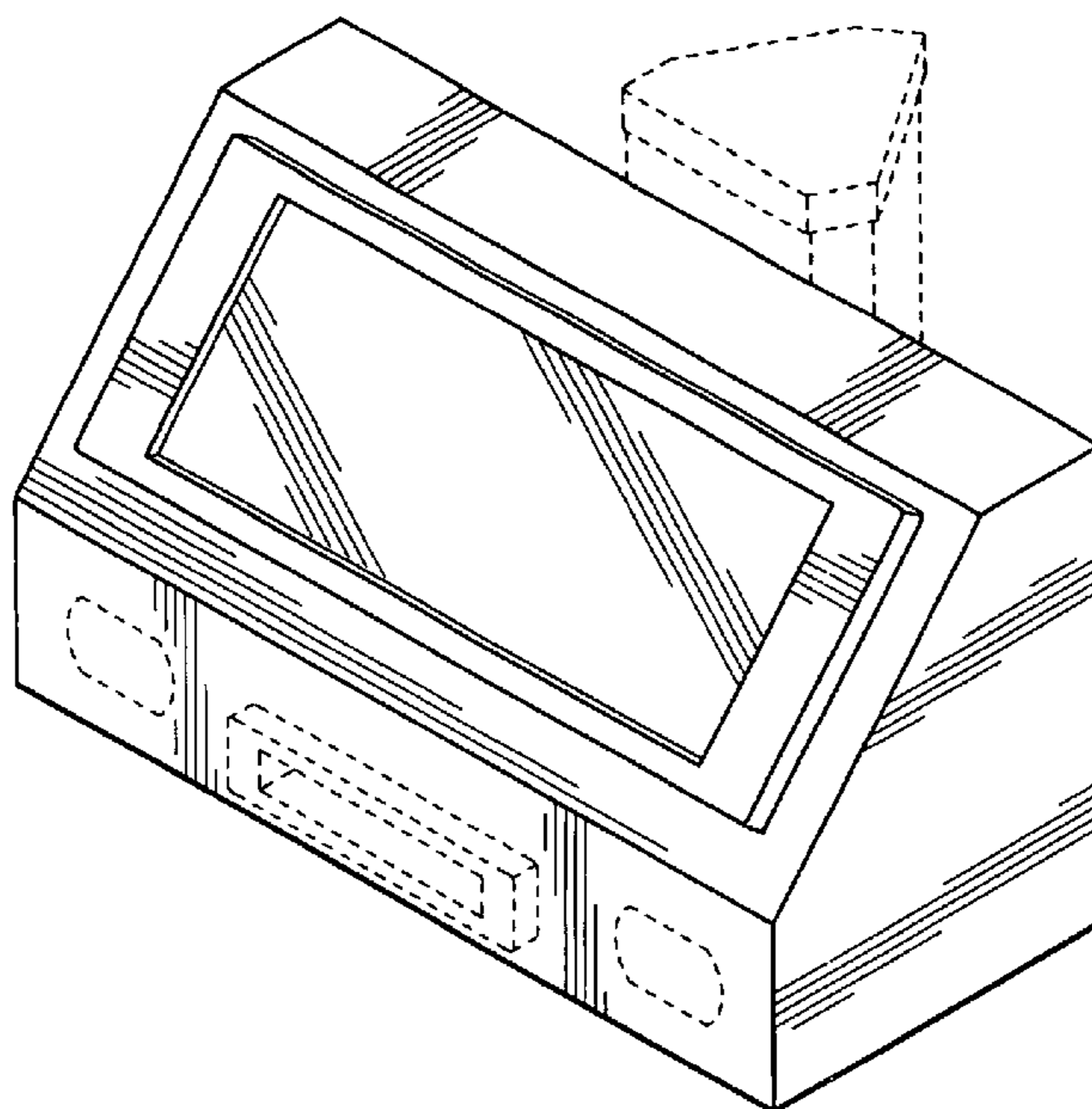


FIG.1

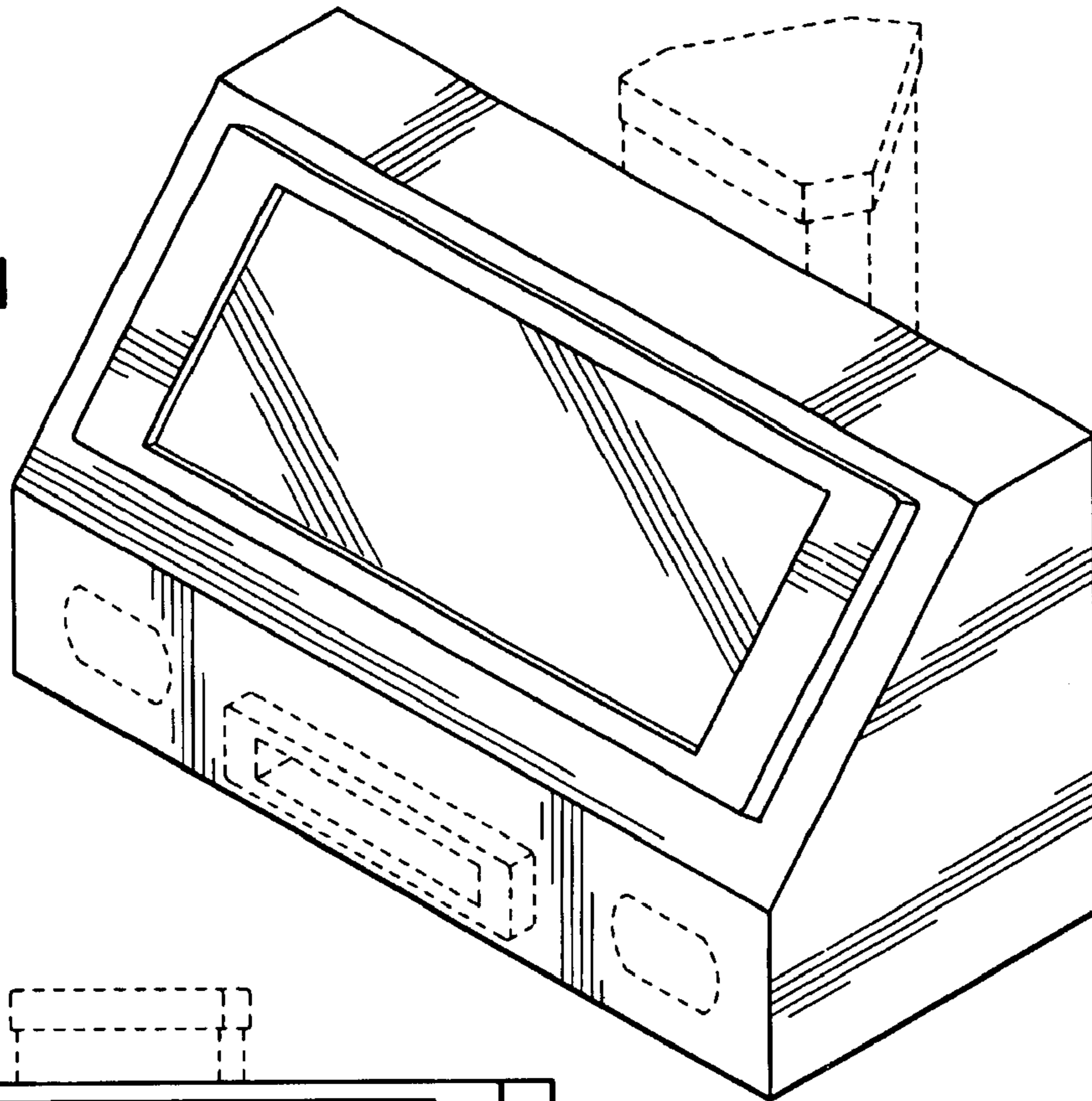


FIG.2

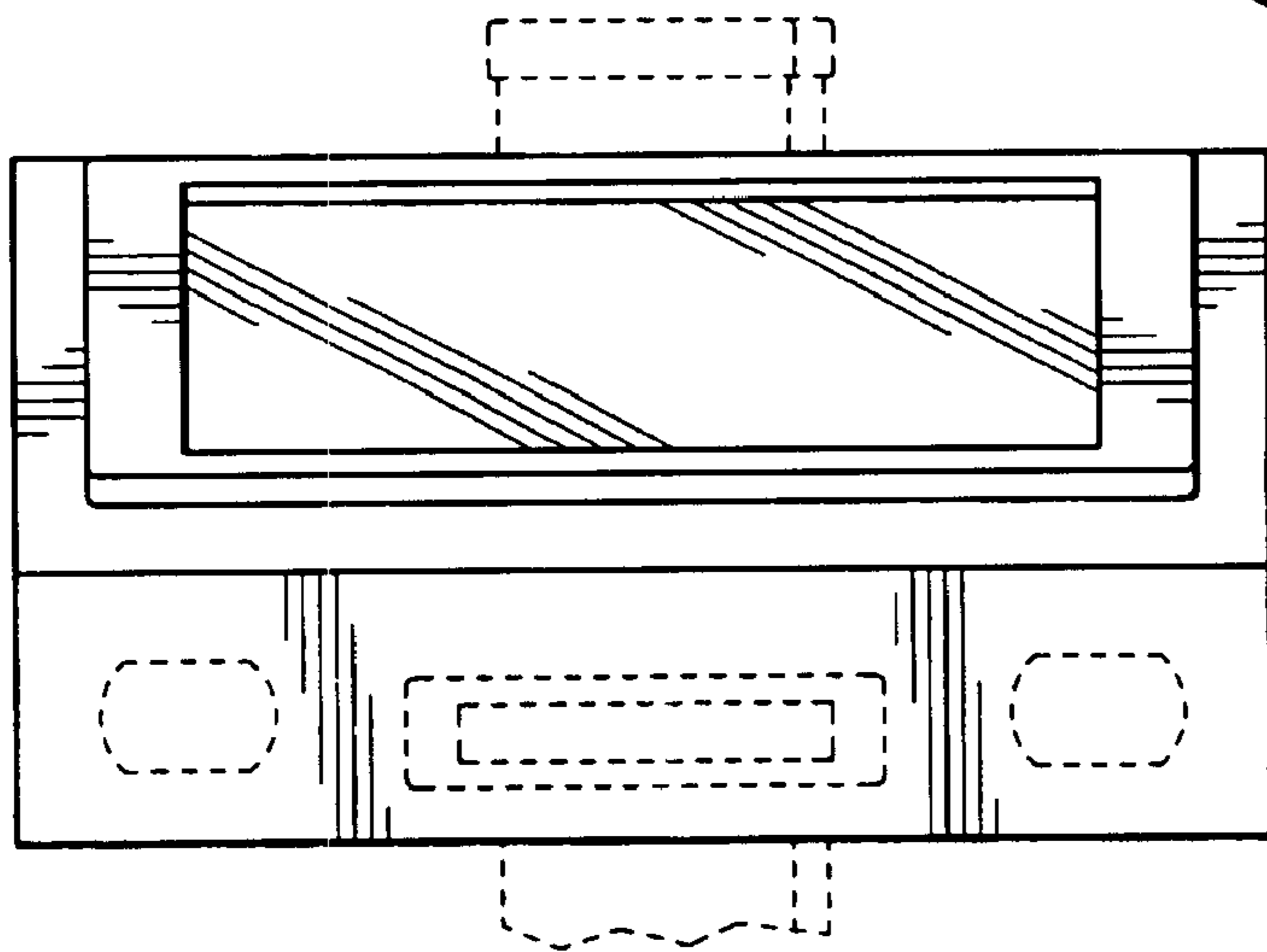
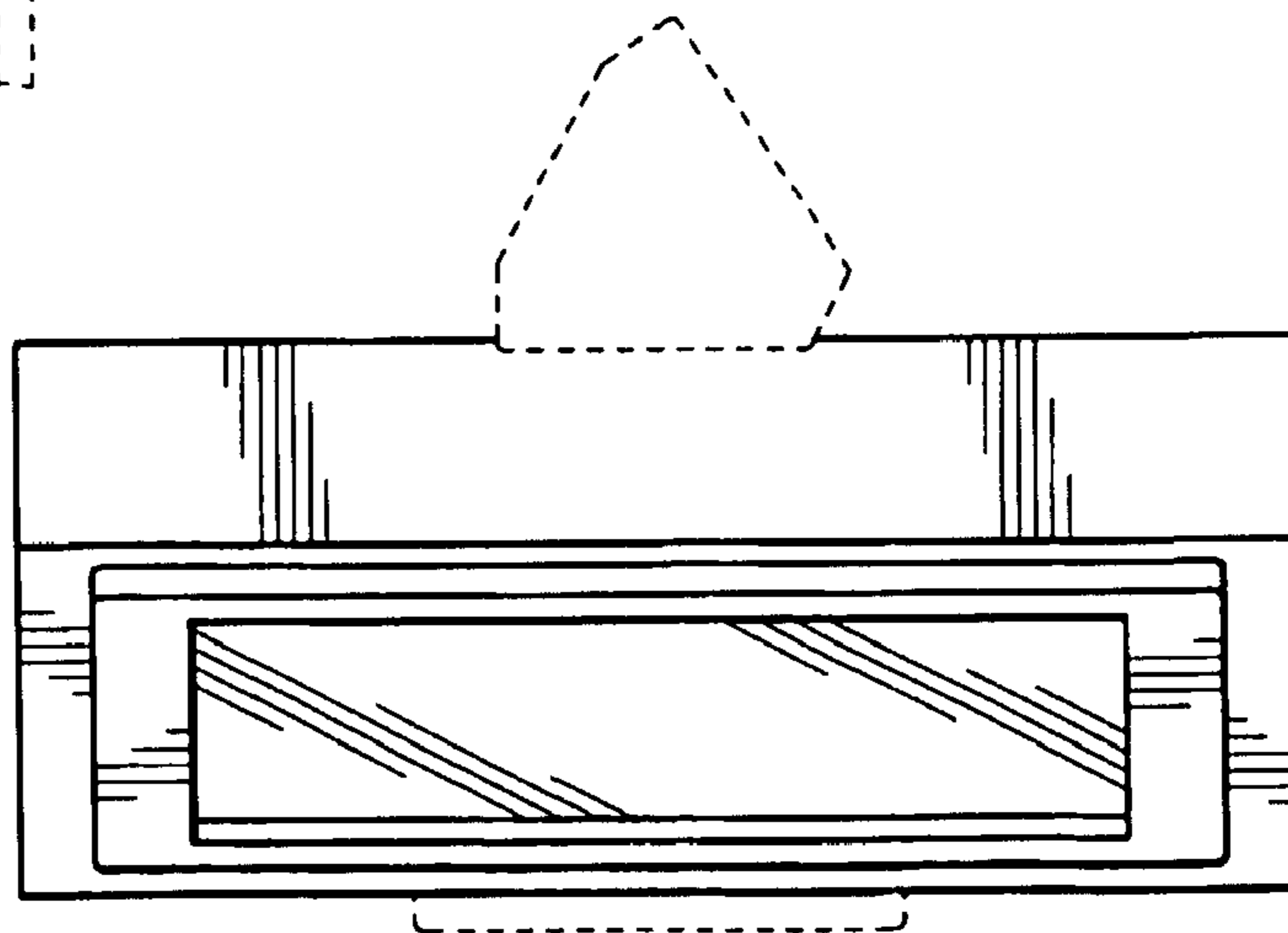


FIG.3



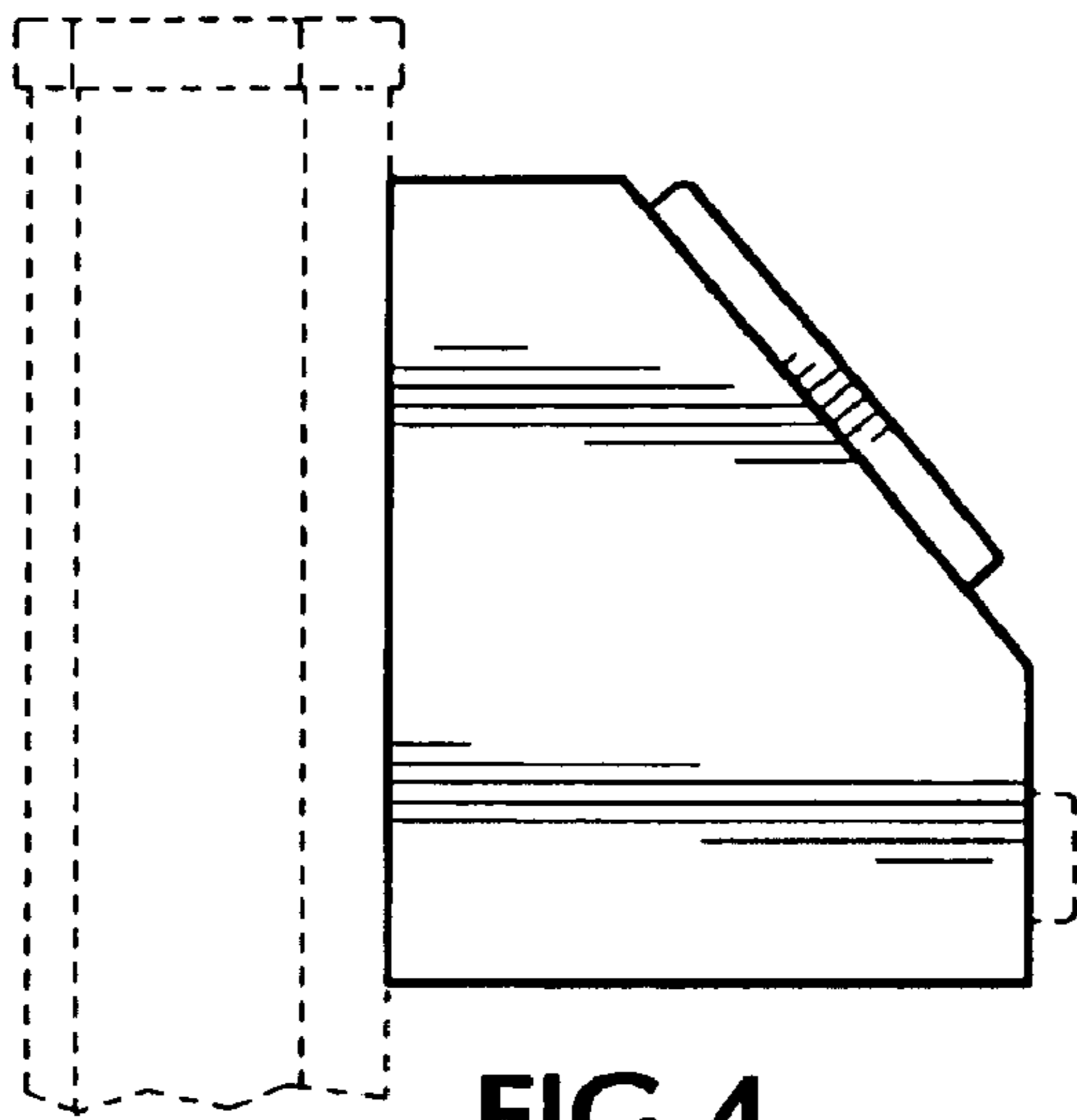


FIG. 4

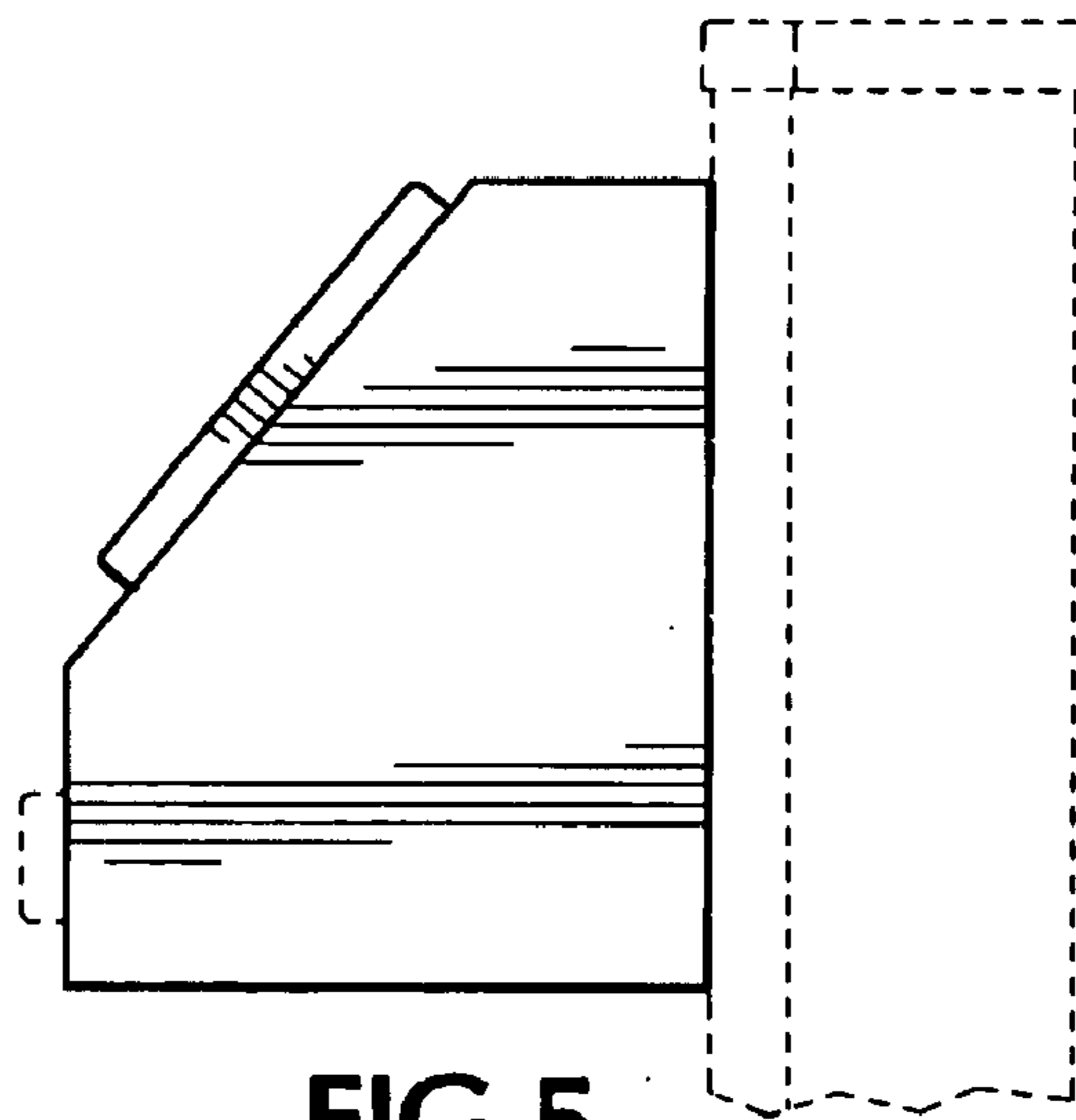


FIG. 5

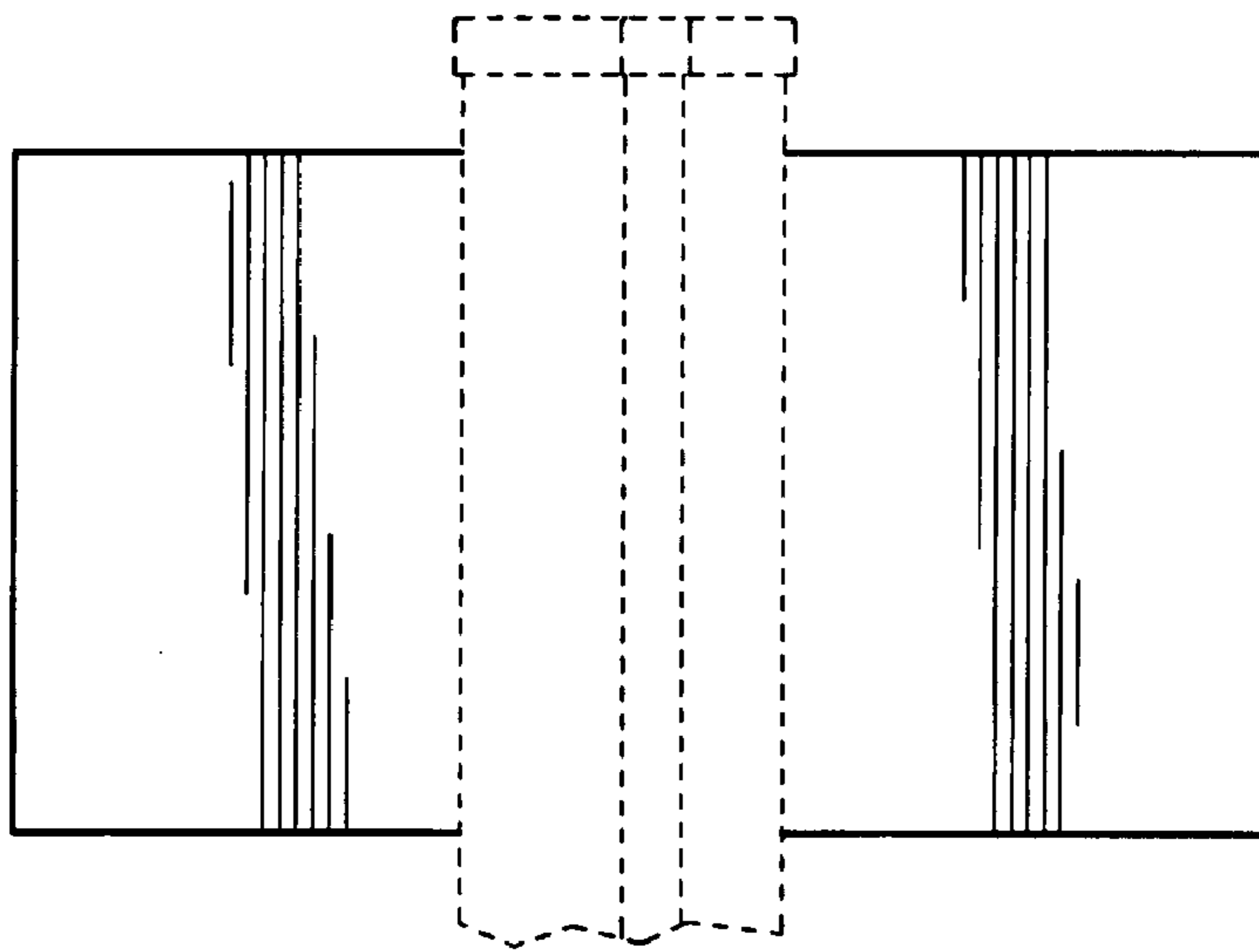


FIG. 6

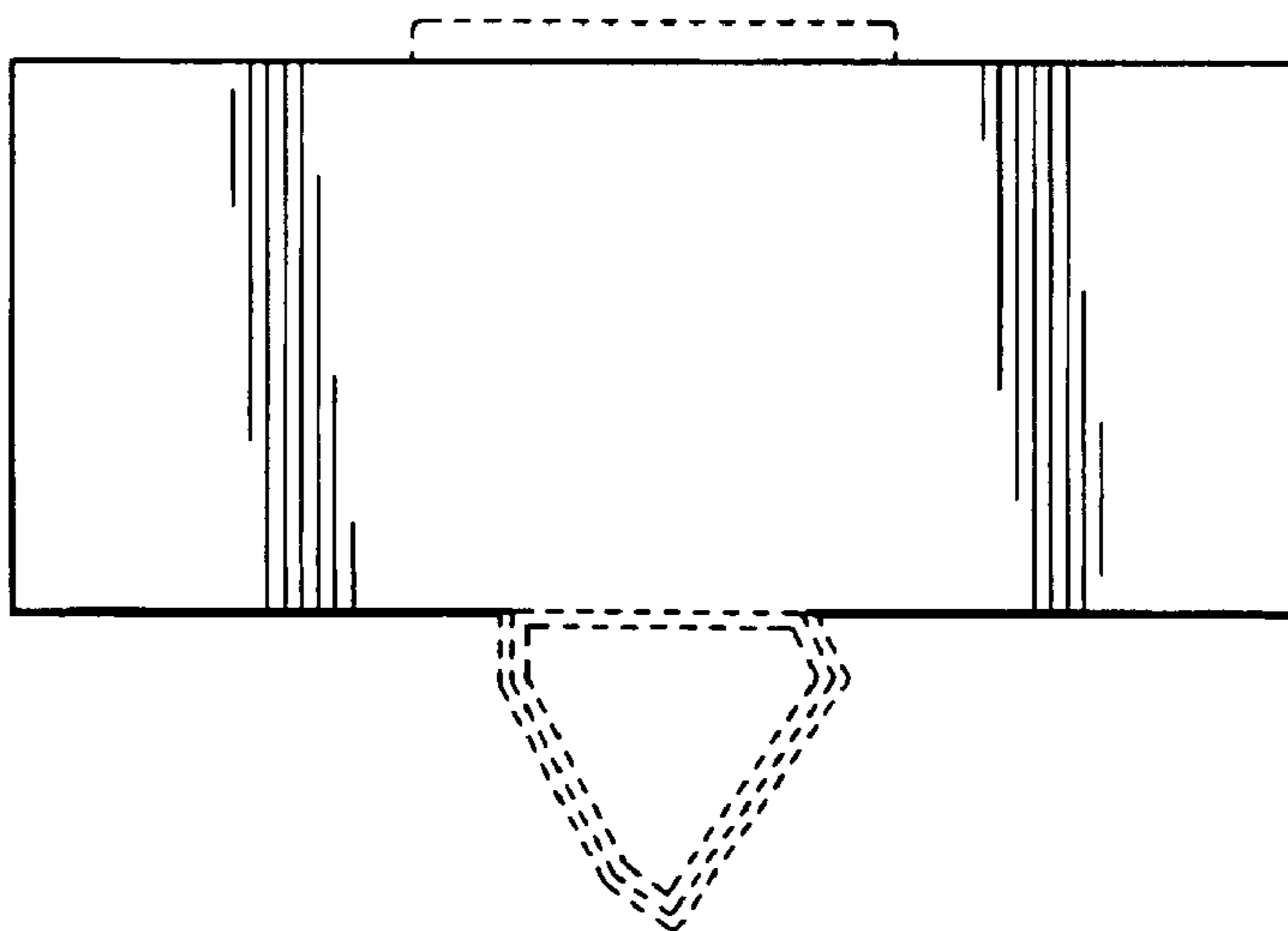


FIG. 7