



US00D527756S

(12) **United States Design Patent**
Parker et al.

(10) **Patent No.:** **US D527,756 S**
(45) **Date of Patent:** **** Sep. 5, 2006**

(54) **OPTICAL DEVICE MOUNT**

(76) Inventors: **Cary D. Parker**, deceased, late of
Torrance, CA (US); by **Gwen Parker**,
legal representative, P.O. Box 14176,
Torrance, CA (US)

(**) Term: **14 Years**

(21) Appl. No.: **29/224,738**

(22) Filed: **Mar. 7, 2005**

(51) **LOC (8) Cl.** **16-05**

(52) **U.S. Cl.** **D16/242; D16/130**

(58) **Field of Classification Search** D16/130,
D16/242, 243; D8/355, 373; 248/126, 168,
248/576; 352/178, 243; 354/293; 396/426,
396/428

See application file for complete search history.

(56) **References Cited**

U.S. PATENT DOCUMENTS

3,105,430	A	*	10/1963	Fernelius	396/426
4,288,848	A		9/1981	Fido		
4,327,986	A	*	5/1982	Carter	396/423
4,897,768	A		1/1990	Thul		
D329,449	S	*	9/1992	Brown et al.	D16/243
5,275,365	A		1/1994	Burger et al.		
D347,160	S	*	5/1994	Hallgren	D8/355
5,360,196	A	*	11/1994	DiGiulio et al.	248/576
D363,945	S		11/1995	LaBree		
5,497,214	A		3/1996	Labree		
5,622,342	A		4/1997	Mill		
5,649,257	A		7/1997	Kempka		
5,823,658	A		10/1998	Doddy		

6,021,984	A		2/2000	Mills		
6,330,992	B1		12/2001	Swayhoover et al.		
6,349,905	B1		2/2002	Mills		
6,752,516	B1		6/2004	Beadle		

OTHER PUBLICATIONS

Calumet Catalog, Monopro Studio Stand (on internet at:
<http://calumetphoto.com/ctl?PAGE=Controller&ac.ui.pn=cat.CatItemDetail&ac.item.itemNo=CC2007K&ac.cat.CatTreeSearch.detail=y&type=SPD-SEARCH>), Feb. 18, 2005.

* cited by examiner

Primary Examiner—Paula A. Greene

(74) *Attorney, Agent, or Firm*—Hankin Patent Law; Marc E. Hankin

(57) **CLAIM**

The ornamental design for a optical device mount, as shown on the attached figures and described hereinbelow.

DESCRIPTION

FIG. 1 is a perspective view of a optical device mount showing the new design.

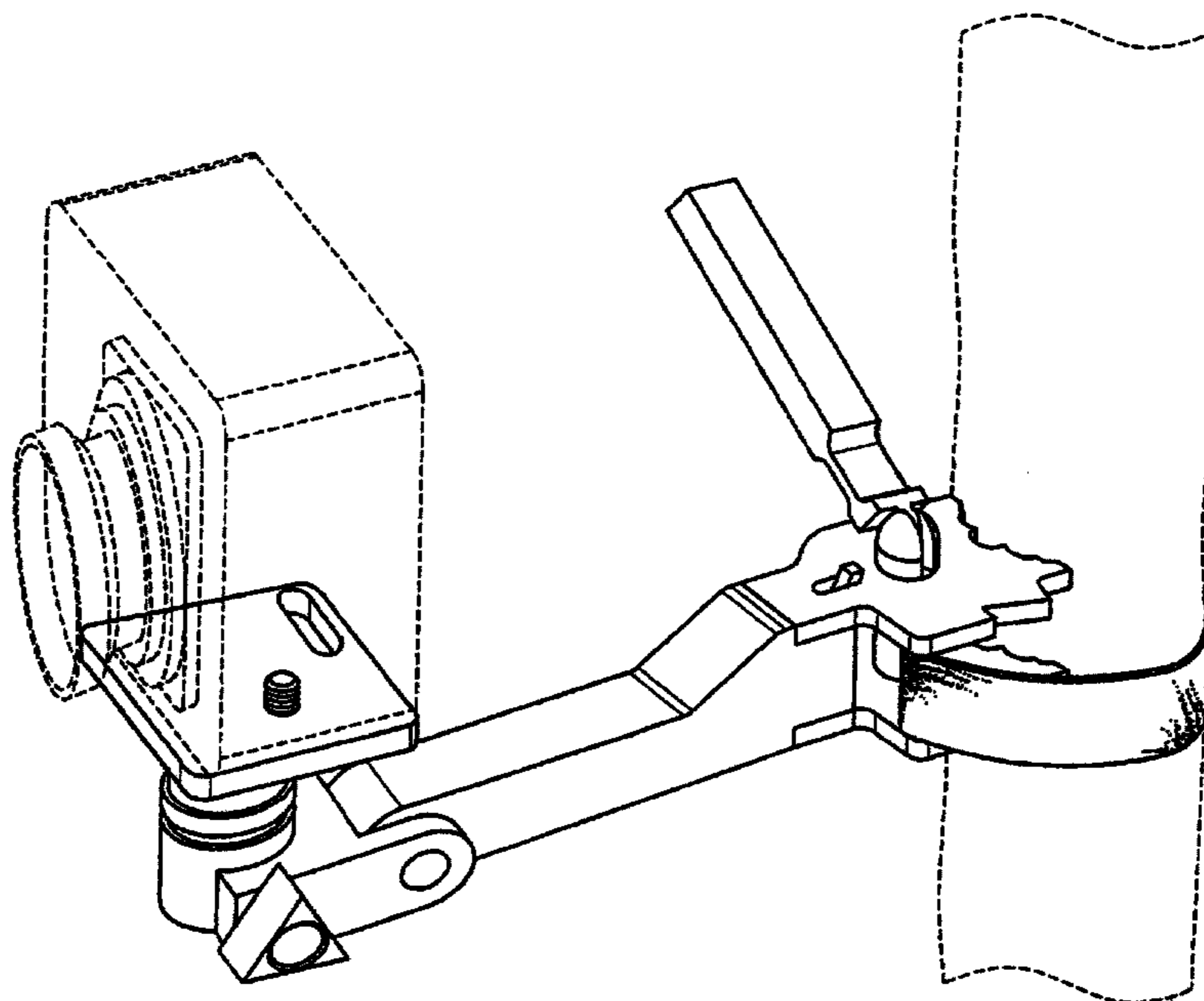
FIG. 2 is a side view of a optical device mount showing the new design.

FIG. 3 is a top view of the end of a optical device mount showing the new design; and,

FIG. 4 is a side view of a optical device mount in folded position showing the new design.

The broken lines in FIG. 1 are for illustrative purposes only and forms no part of the claimed design.

1 Claim, 4 Drawing Sheets



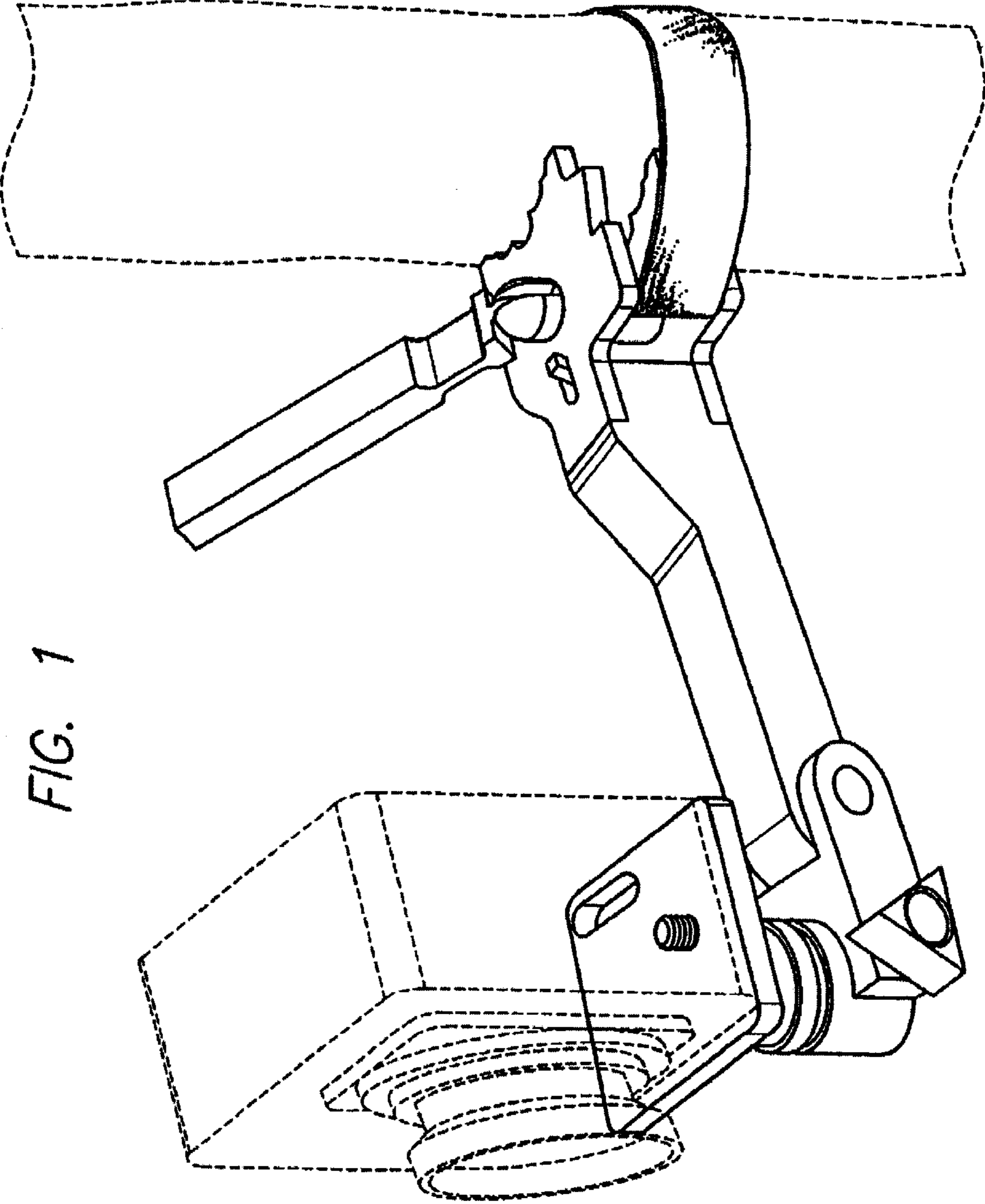


FIG. 1

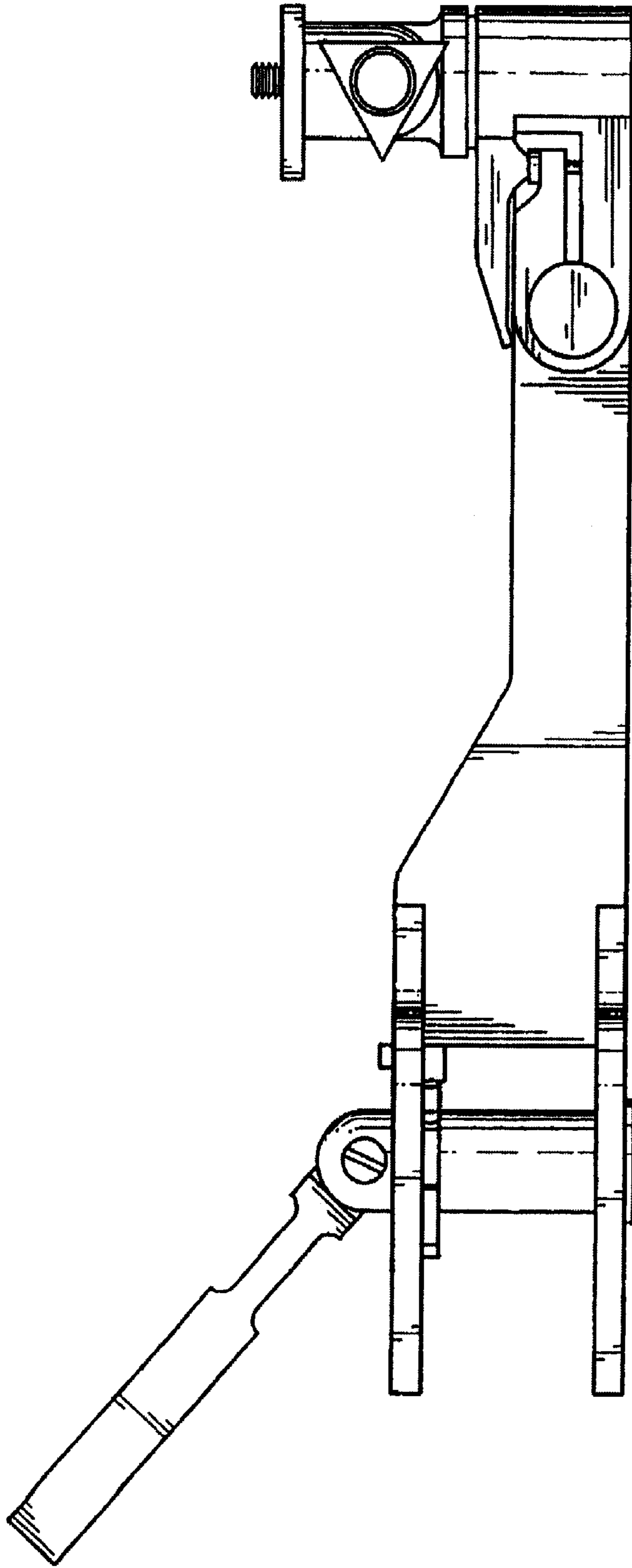


FIG. 2

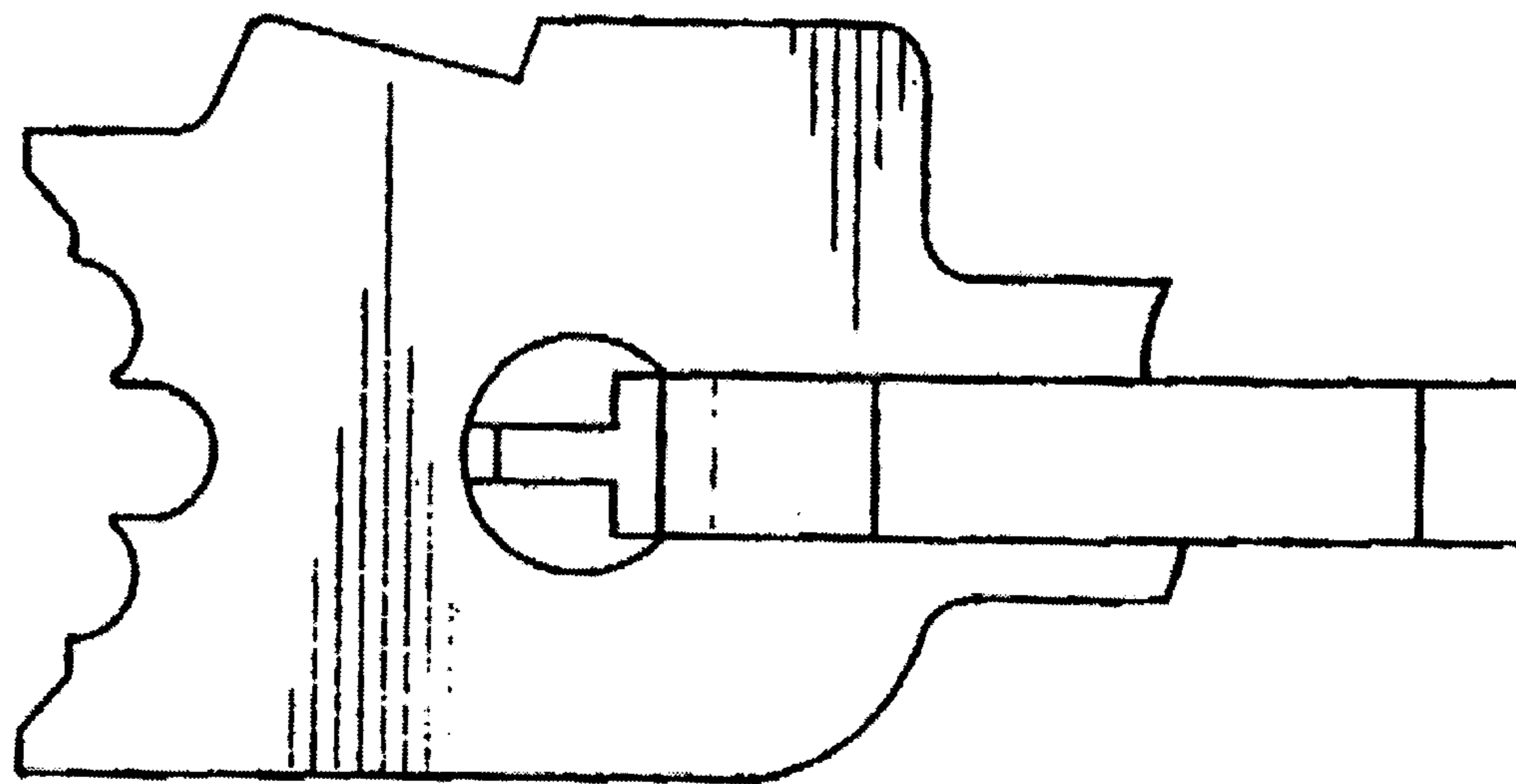


Fig. 3

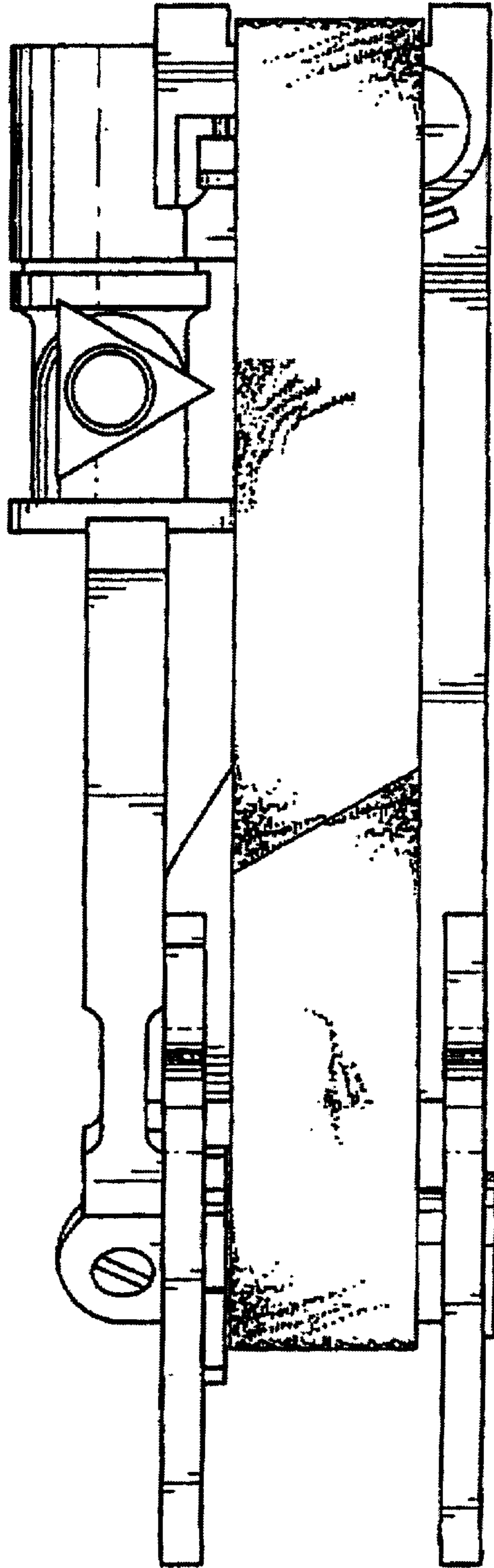


Fig. 4