

US00D527755S

(12) **United States Design Patent**
Wu

(10) **Patent No.:** **US D527,755 S**

(45) **Date of Patent:** **** Sep. 5, 2006**

(54) **WEB CAMERA**

(75) Inventor: **Chieh-Feng Wu**, Taipei (TW)

(73) Assignee: **Behavior Tech Computer Corp.**,
Taipei (TW)

(**) Term: **14 Years**

(21) Appl. No.: **29/212,480**

(22) Filed: **Sep. 2, 2004**

(30) **Foreign Application Priority Data**

Jun. 25, 2004 (TW) 93303766

(51) **LOC (8) Cl.** **16-01**

(52) **U.S. Cl.** **D16/202**

(58) **Field of Classification Search** D16/200-206,
D16/208, 218; 248/121, 918; 348/14.01-14.1,
348/373-376; 358/909.1; 396/428, 535, 536-541
See application file for complete search history.

(56) **References Cited**

U.S. PATENT DOCUMENTS

D399,860 S * 10/1998 Huang D16/202
5,855,343 A * 1/1999 Krekelberg 248/121
6,239,841 B1 * 5/2001 Verstockt et al. 348/373
D455,768 S * 4/2002 Tsang et al. D16/202

D478,922 S * 8/2003 Han D16/202
D507,007 S * 7/2005 Sitoh et al. D16/202
D511,181 S * 11/2005 Huang et al. D16/202

* cited by examiner

Primary Examiner—Adir Aronovich

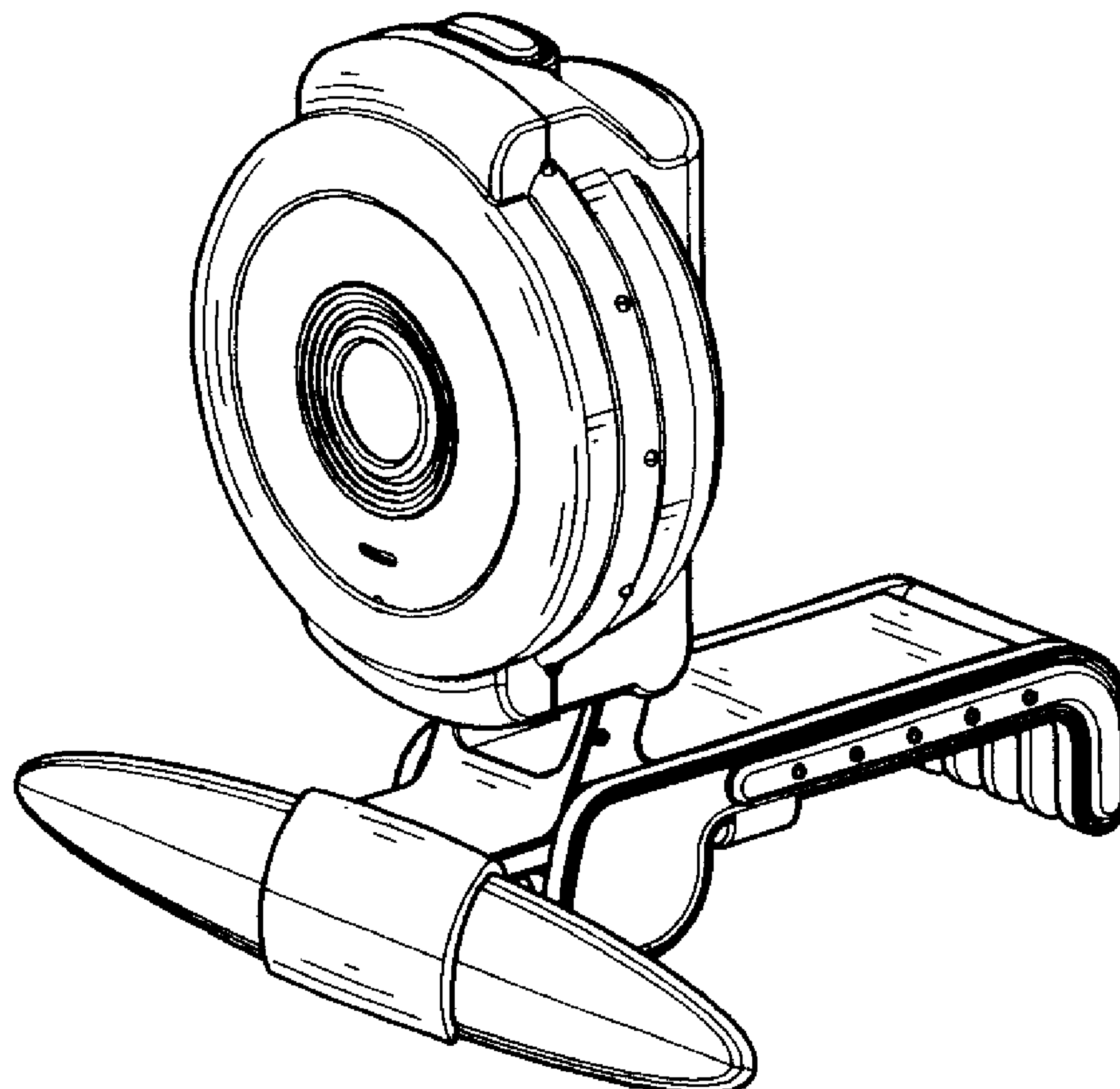
(57) **CLAIM**

The ornamental design for a web camera, as shown and described.

DESCRIPTION

FIG. 1 is a perspective view of a web camera showing my new design;
FIG. 2 is a front elevational view thereof;
FIG. 3 is a rear elevational view thereof;
FIG. 4 is a left side elevational view thereof;
FIG. 5 is a right side elevational view thereof;
FIG. 6 is a top plan view thereof;
FIG. 7 is a bottom plan view thereof;
FIG. 8 is a perspective view illustrating the web camera being in a state of storing up; and,
FIG. 9 is a right side elevational view illustrating the web camera clamping an electronic device, which is shown in broken lines and illustrated to show environment only and forms no part of the claimed design.

1 Claim, 9 Drawing Sheets



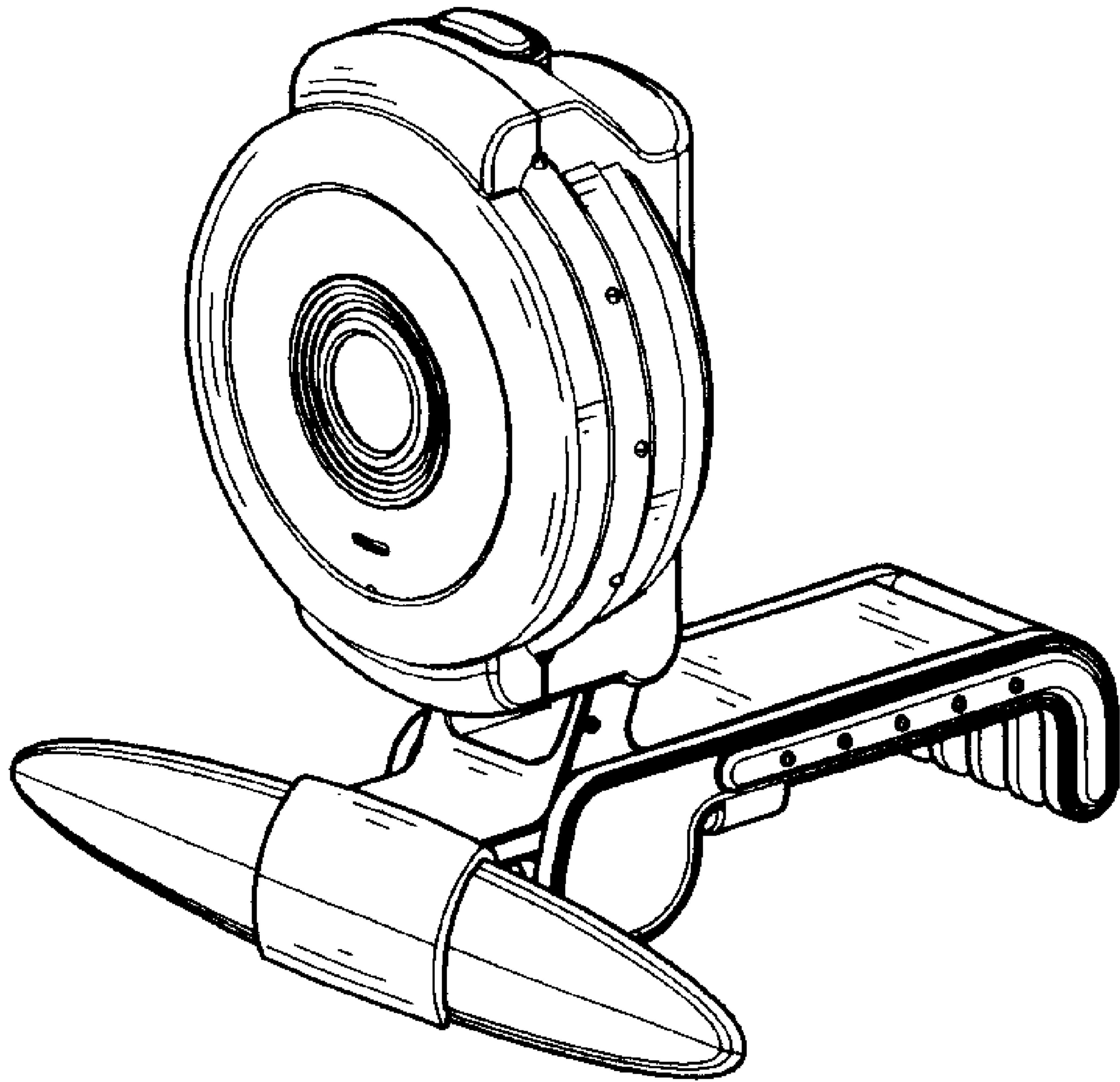


FIG. 1

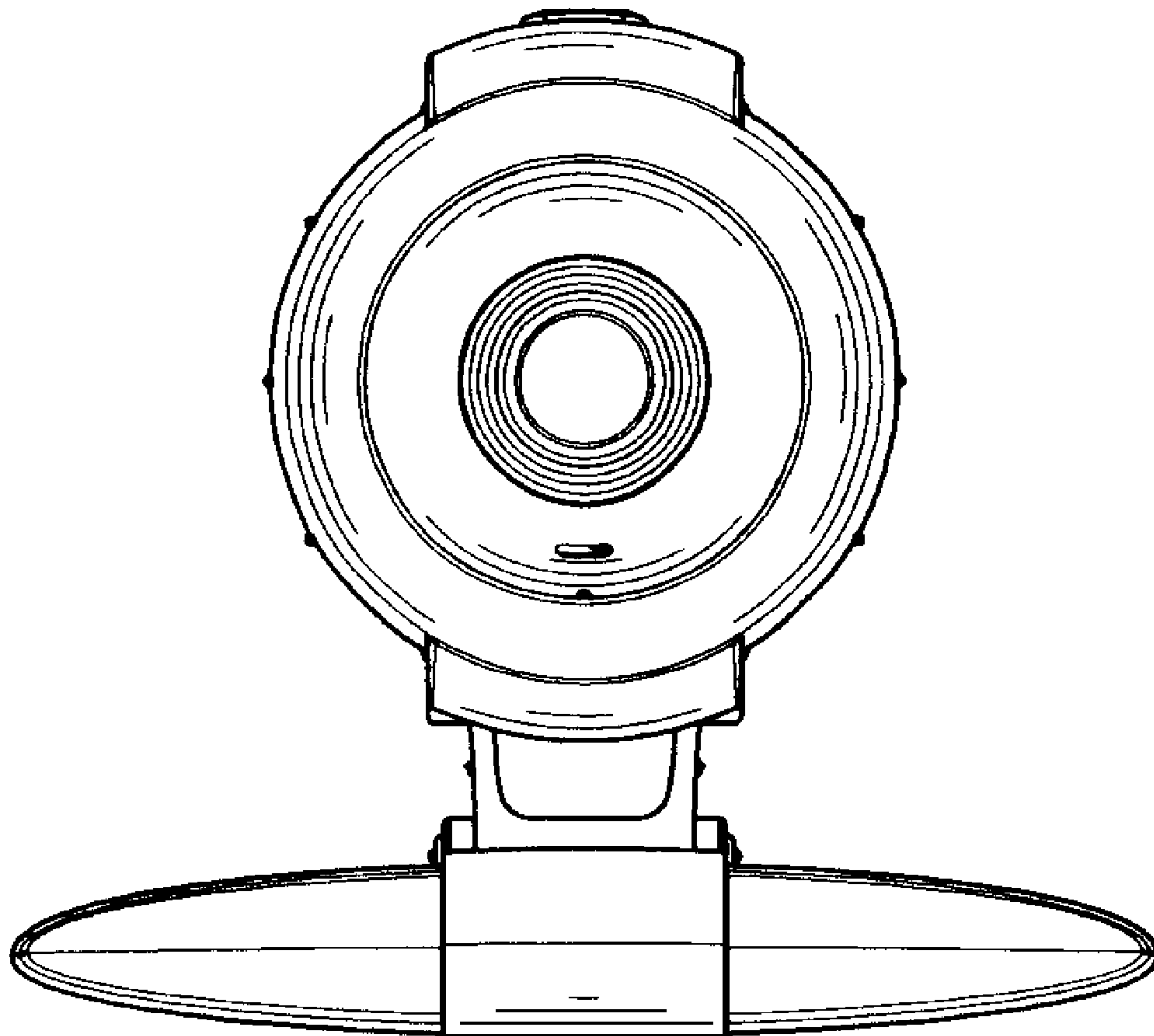


FIG. 2

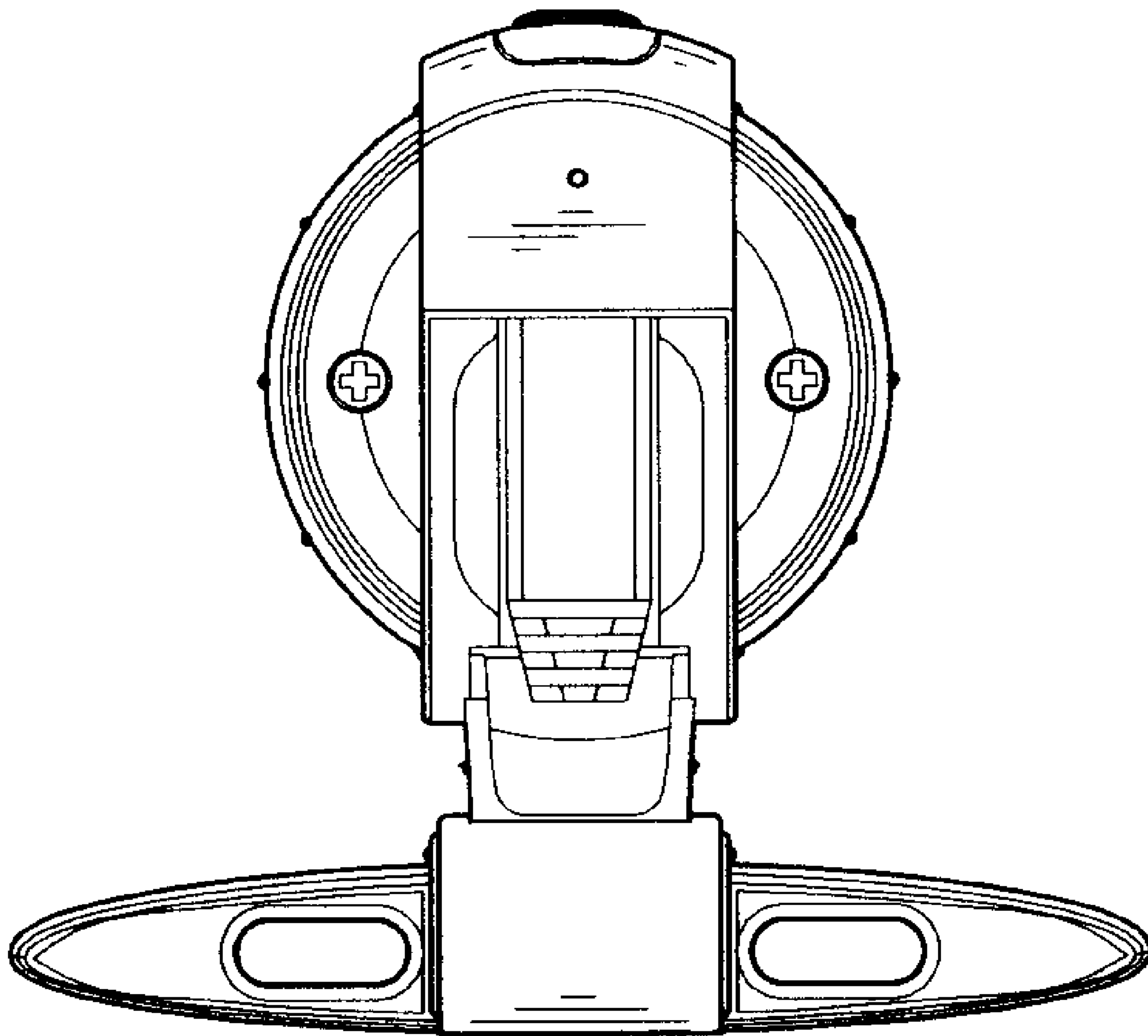


FIG. 3

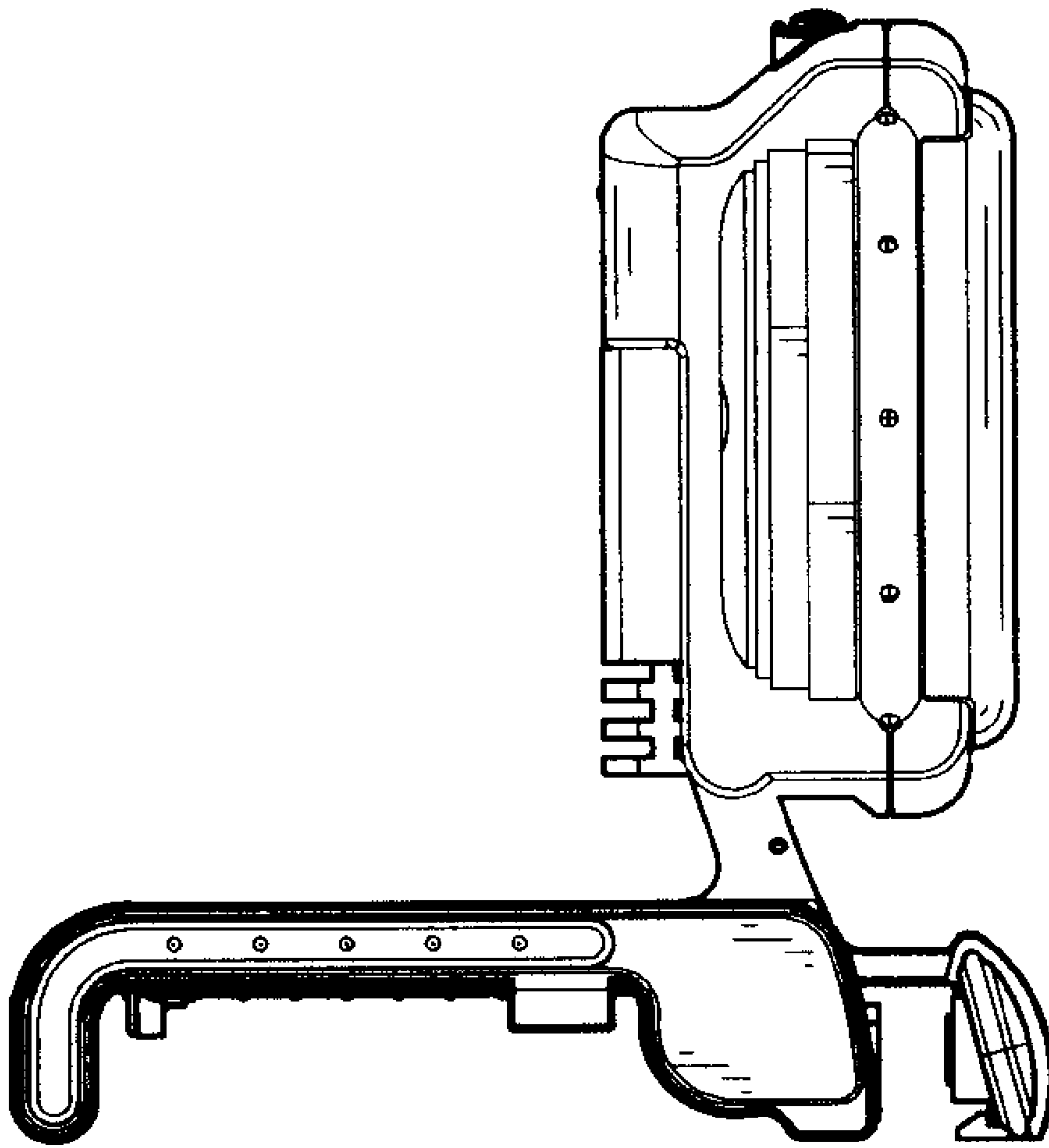


FIG. 4

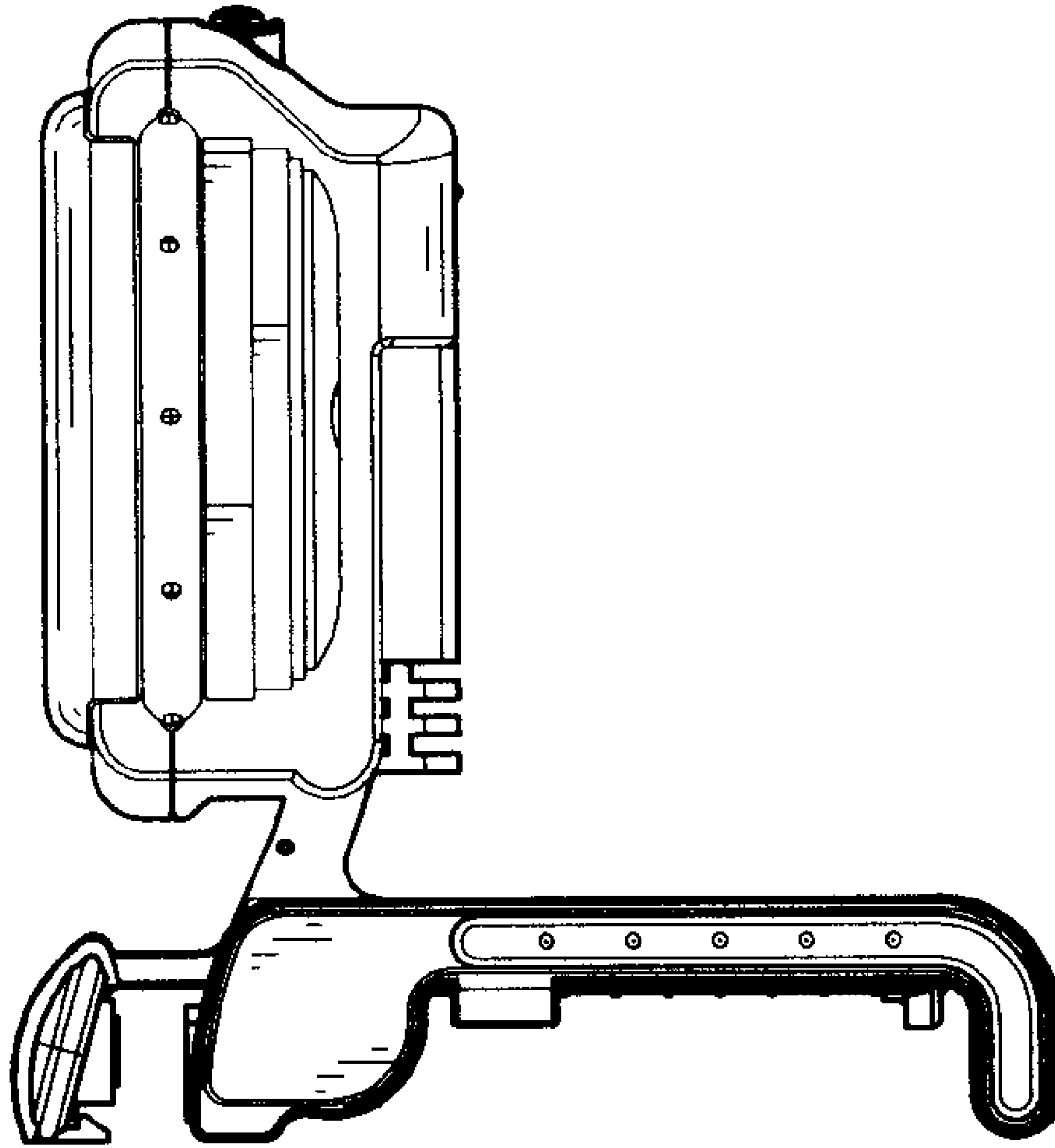


FIG. 5

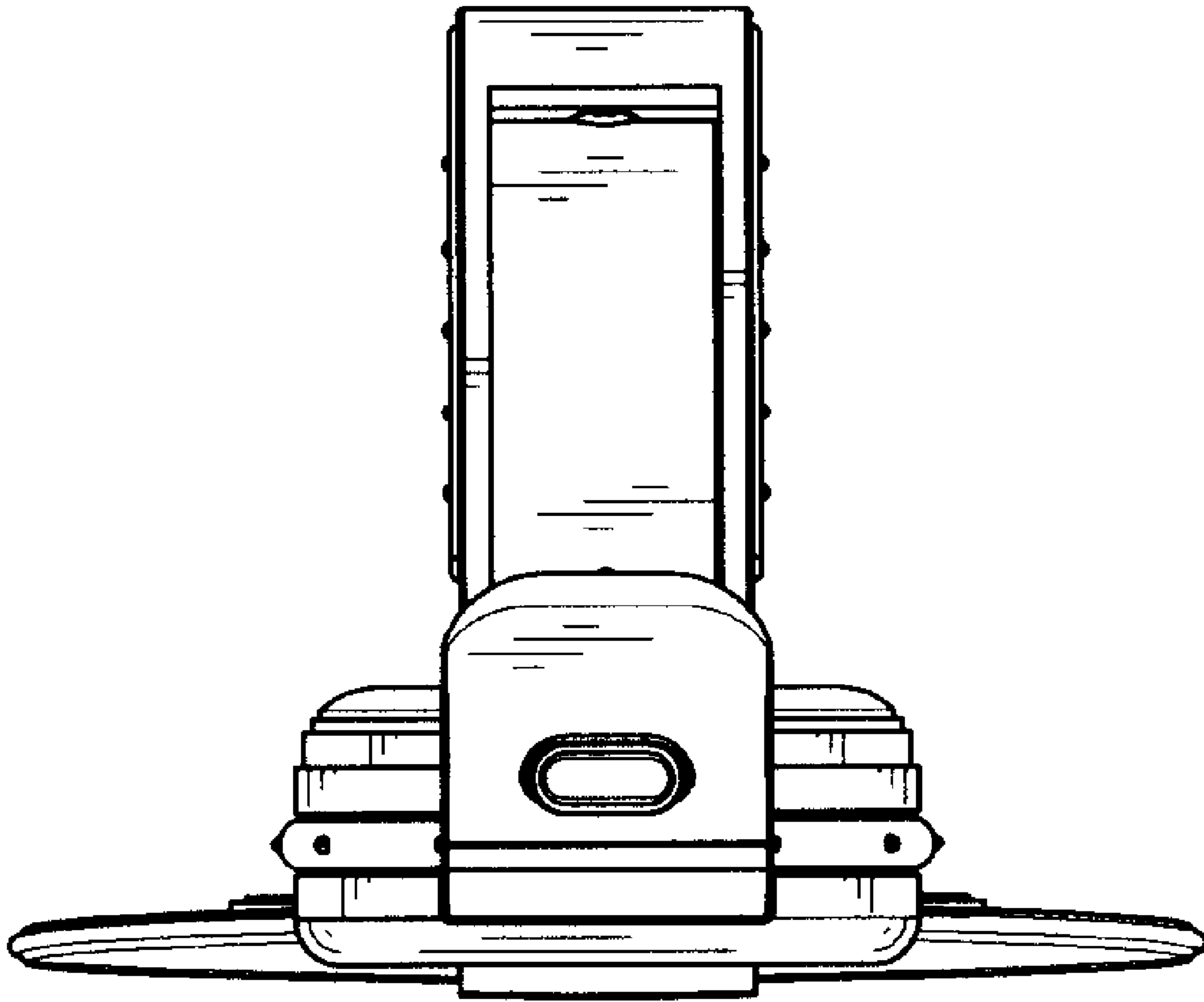


FIG. 6

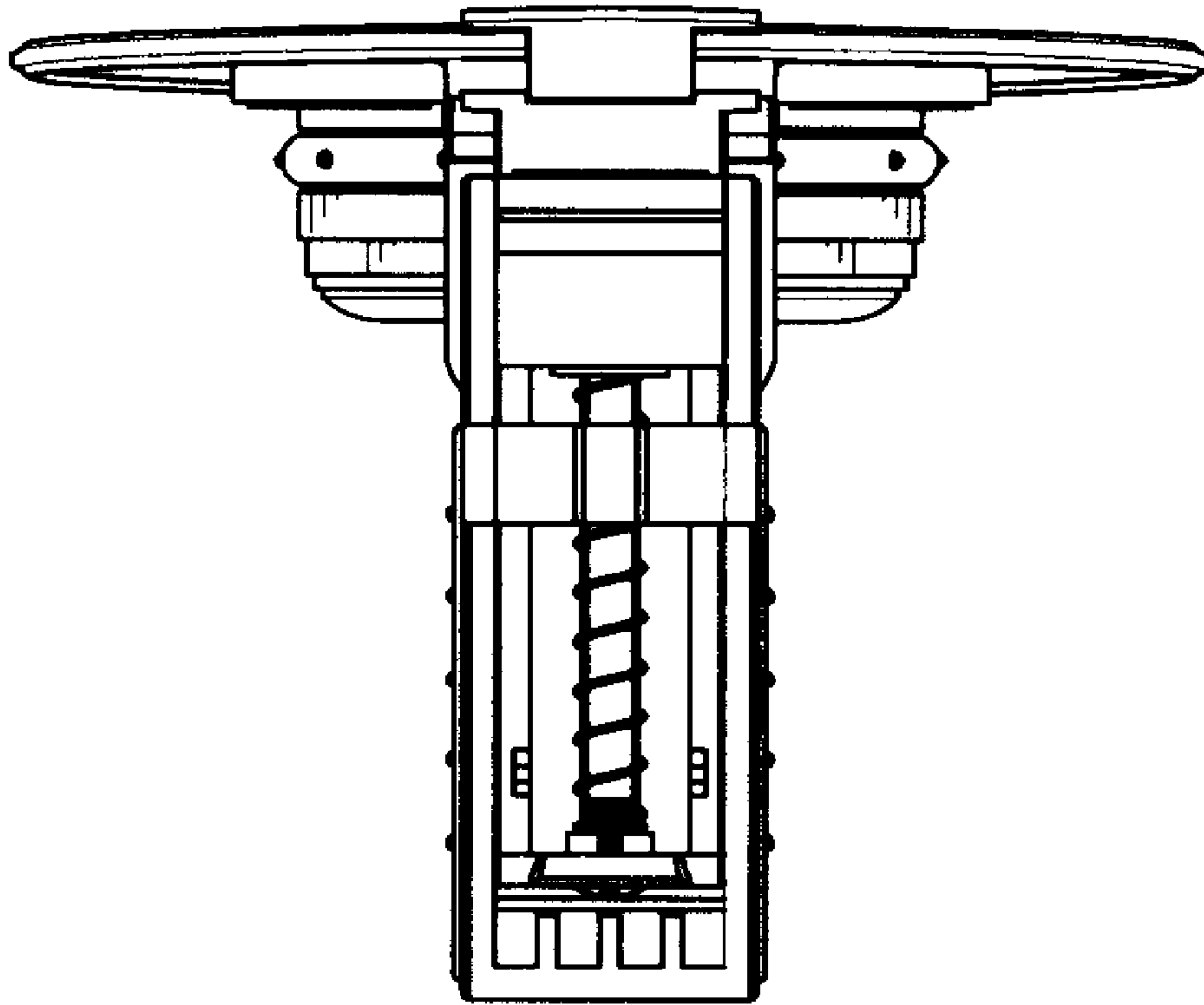


FIG. 7

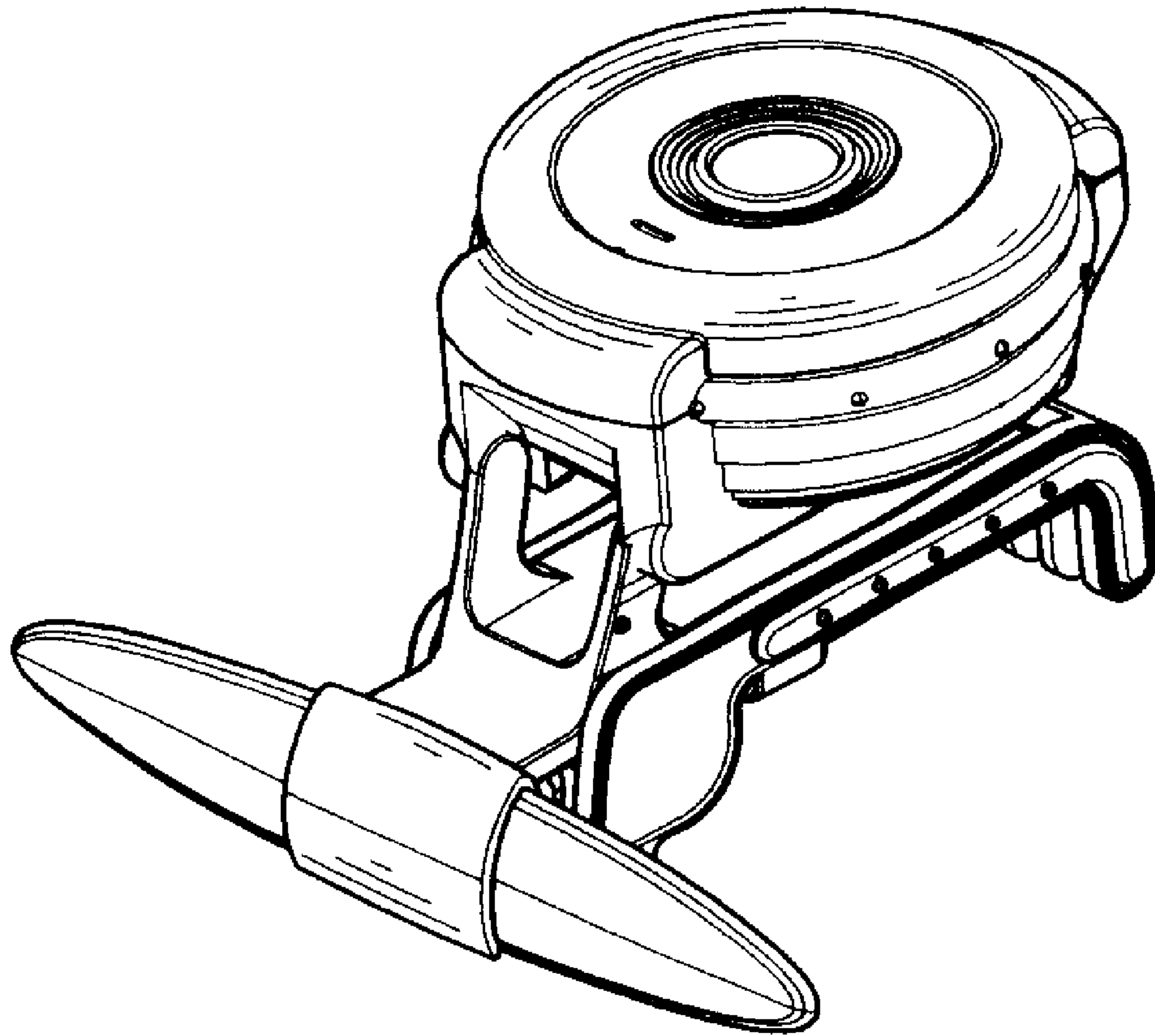


FIG. 8

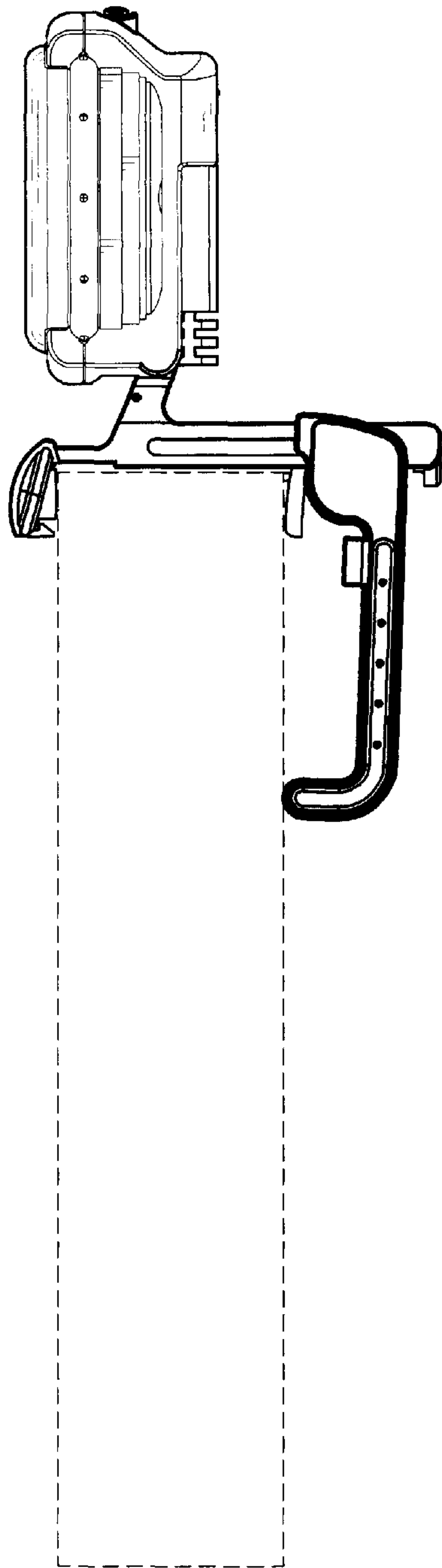


FIG. 9