



US00D527754S

(12) **United States Design Patent**
Chou

(10) **Patent No.:** **US D527,754 S**

(45) **Date of Patent:** **** Sep. 5, 2006**

(54) **DIGITAL CAMERA**

(75) Inventor: **Alex Chou**, Chung-Ho (TW)

(73) Assignee: **Axisoft Technologies Inc.**, Chung-Ho (TW)

(**) Term: **14 Years**

(21) Appl. No.: **29/209,870**

(22) Filed: **Jul. 21, 2004**

(51) **LOC (8) Cl.** **16-01**

(52) **U.S. Cl.** **D16/202**

(58) **Field of Classification Search** D13/103,
D13/119; D14/138, 240, 248; D16/200–206,
D16/208, 218; 348/374–376; 358/909.1;
396/535, 537, 540, 541; 429/123; 455/571,
455/572, 575.1

See application file for complete search history.

(56) **References Cited**

U.S. PATENT DOCUMENTS

D410,892 S * 6/1999 Prior D13/103
D448,744 S * 10/2001 Yu et al. D14/138
D458,288 S * 6/2002 Nakano et al. D16/202

D472,258 S * 3/2003 Yin et al. D16/202
D498,736 S * 11/2004 Lee D14/138
D498,737 S * 11/2004 Park et al. D14/138
2003/0078082 A1 * 4/2003 Su 455/572

OTHER PUBLICATIONS

Axisoft Technologies Inc. website (J100 Mobile Camera).*

* cited by examiner

Primary Examiner—Adir Aronovich

(74) *Attorney, Agent, or Firm*—Lowe Hauptman & Berner, LLP

(57) **CLAIM**

The ornamental design for a digital camera, as shown.

DESCRIPTION

FIG. 1 is a front elevational view of a digital camera showing my new design;

FIG. 2 is a rear elevational view thereof;

FIG. 3 is a left side elevational view thereof;

FIG. 4 is a right side elevational view thereof;

FIG. 5 is a top plan view thereof; and,

FIG. 6 is a bottom plan view thereof.

1 Claim, 2 Drawing Sheets

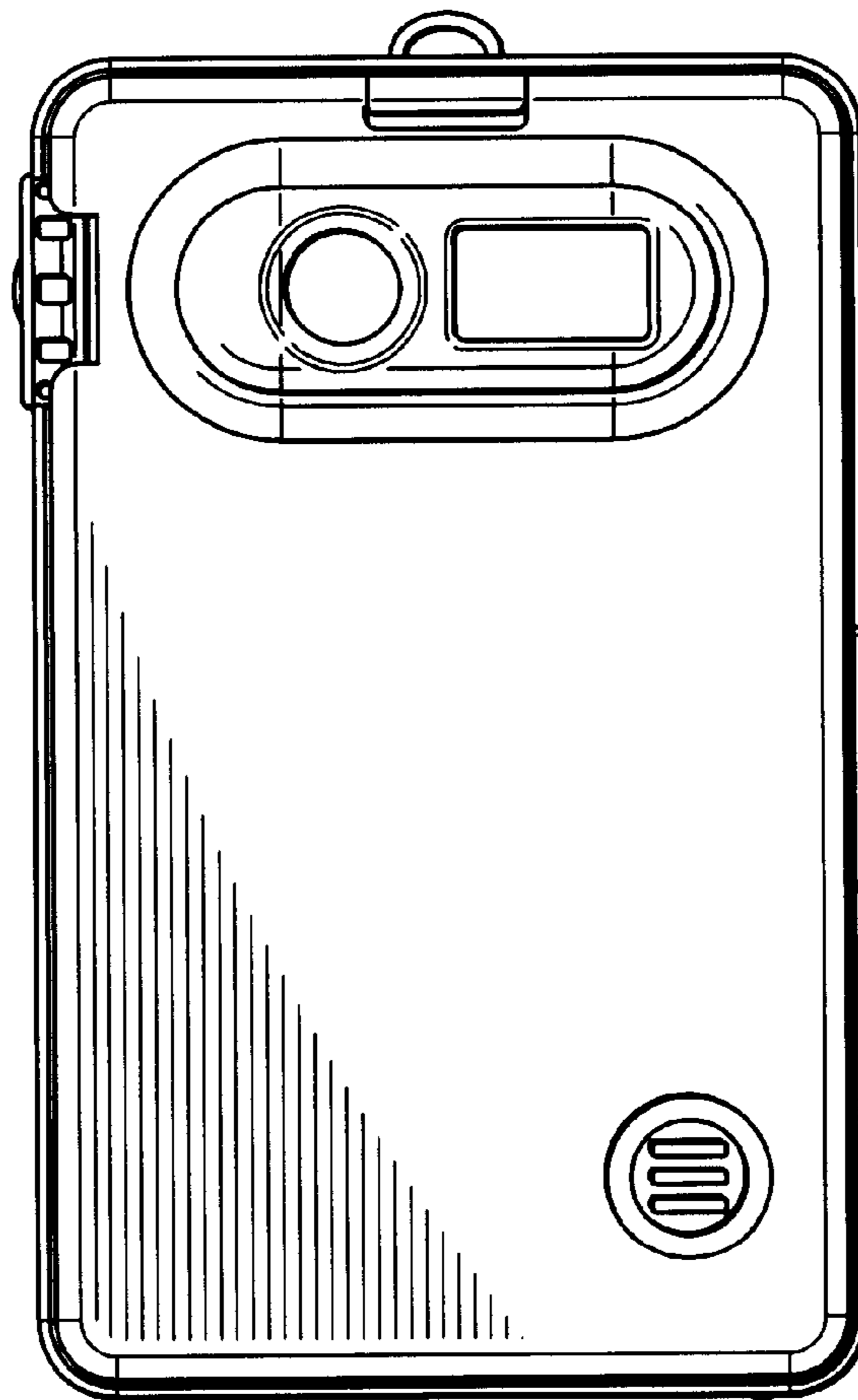


Fig. 1

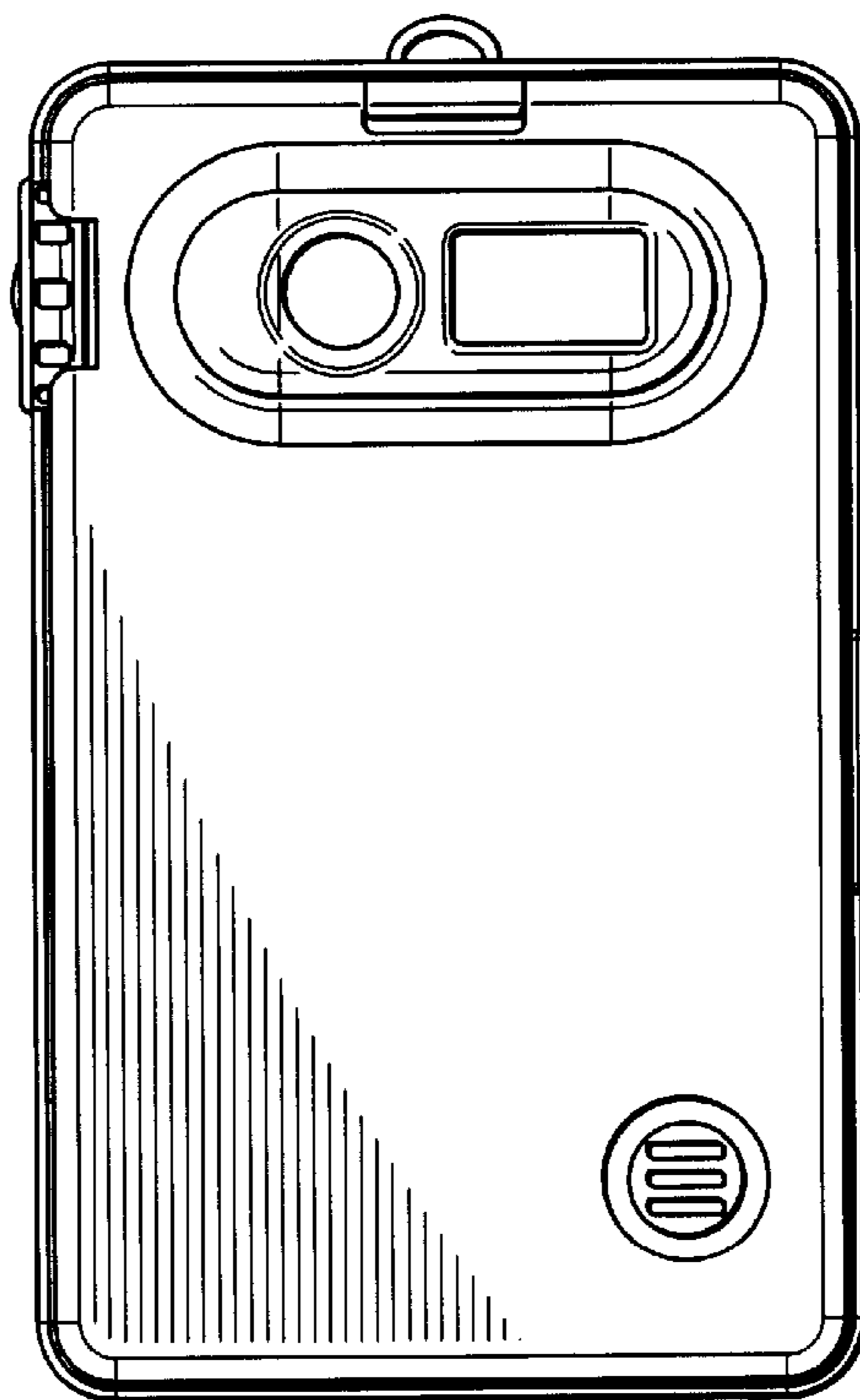
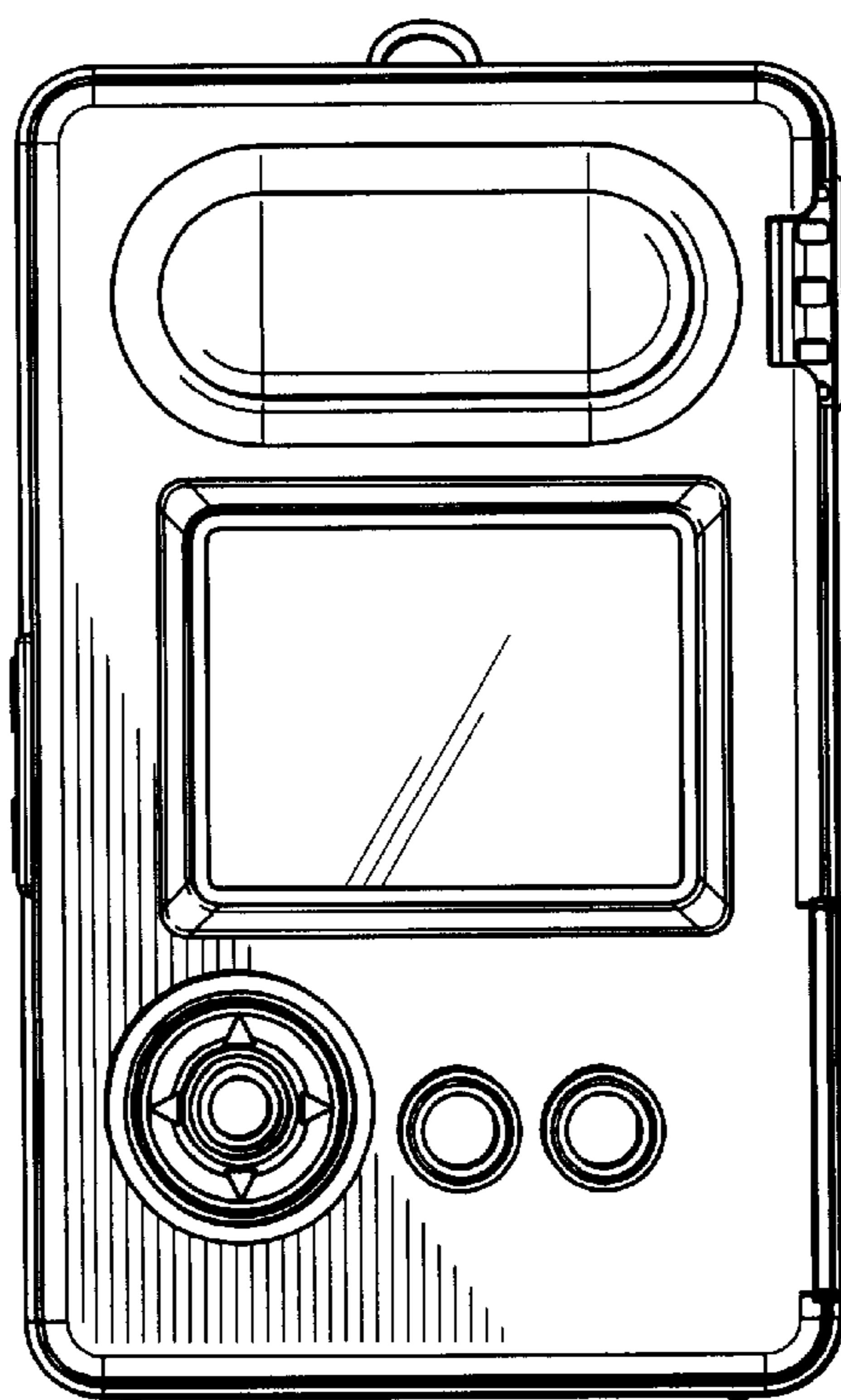


Fig. 2



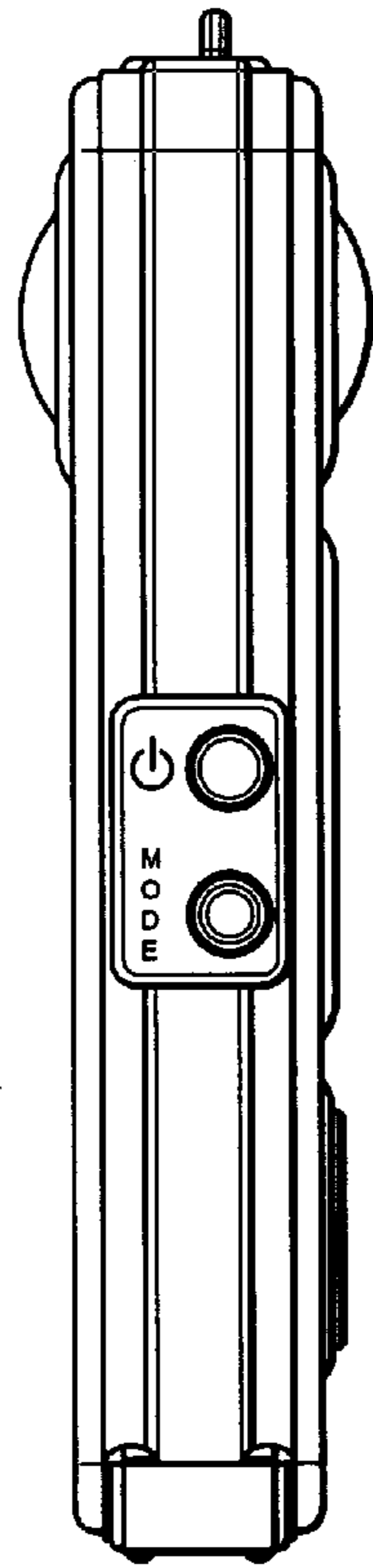


Fig. 3

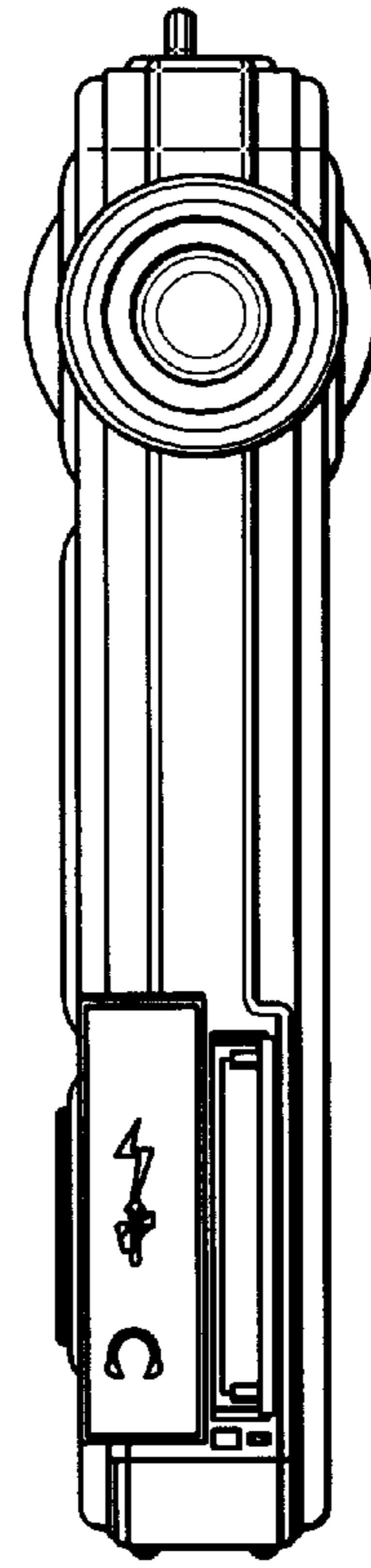


Fig. 4

Fig. 5

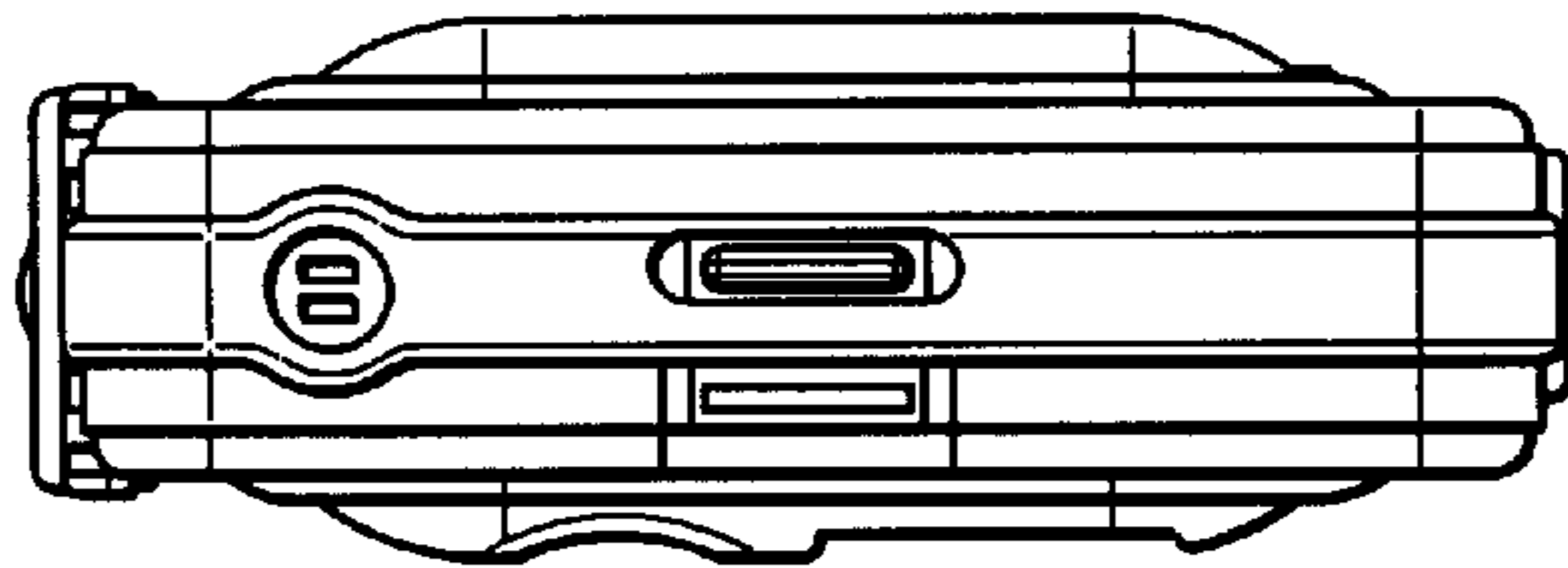


Fig. 6

