



US00D527753S

(12) **United States Design Patent**
Kaspar

(10) **Patent No.:** **US D527,753 S**

(45) **Date of Patent:** **** Sep. 5, 2006**

(54) **SPOTTING TELESCOPE SUPPORT MOUNT**

D423,610 S * 4/2000 Lebensfeld et al. D21/573
D448,062 S * 9/2001 Criddle et al. D22/110
D471,248 S * 3/2003 Jacobs D22/108

(76) Inventor: **Dan A. Kaspar**, Hwy. 95 North, Shiner,
TX (US) 77984

* cited by examiner

(**) Term: **14 Years**

Primary Examiner—Paula A. Greene

(74) *Attorney, Agent, or Firm*—Jackson Walker LLP

(21) Appl. No.: **29/211,520**

(57) **CLAIM**

(22) Filed: **Aug. 16, 2004**

The ornamental design for a spotting telescope support mount, as shown and described.

(51) **LOC (8) Cl.** **16-06**

(52) **U.S. Cl.** **D16/132; D22/110**

(58) **Field of Classification Search** D16/130,
D16/132, 134, 237; 359/200, 202, 399, 407,
359/420, 424, 428, 429, 831, 890; 33/245,
33/246; D22/100, 104, 108, 109, 110; D21/573,
D21/575; D20/42; 40/442

DESCRIPTION

See application file for complete search history.

FIG. 1 is a top elevational view of the Applicant's spotting telescope support mount.

FIG. 2 is a left side elevational view thereof.

FIG. 3 is a right side elevational view thereof.

FIG. 4 is a bottom elevational view thereof.

FIG. 5 is a front elevational view thereof.

FIG. 6 is a rear elevational view thereof; and,

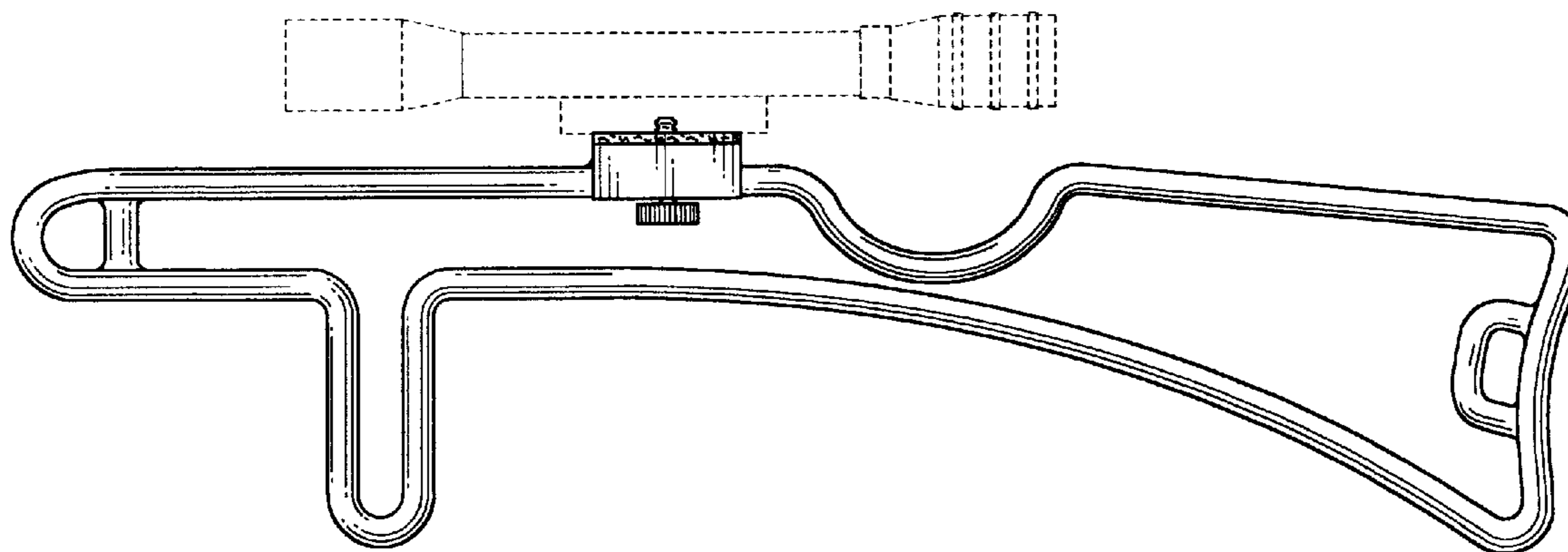
FIG. 7 is a left side elevational view illustrating in broken lines a spotting scope mounted thereto, the broken lines depict environmental structure for illustrative purposes only and form no part of the claimed design.

(56) **References Cited**

U.S. PATENT DOCUMENTS

2,025,356 A * 12/1935 Neal 40/442
D362,862 S * 10/1995 Barton D16/237
D415,546 S * 10/1999 Otteman et al. D22/110
D417,680 S * 12/1999 Diebel et al. D16/132

1 Claim, 3 Drawing Sheets



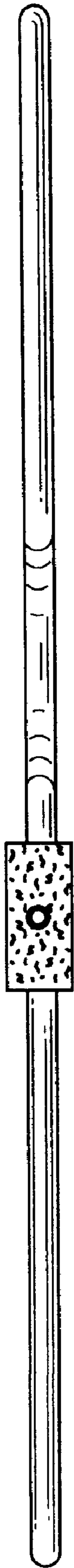


Fig. 1

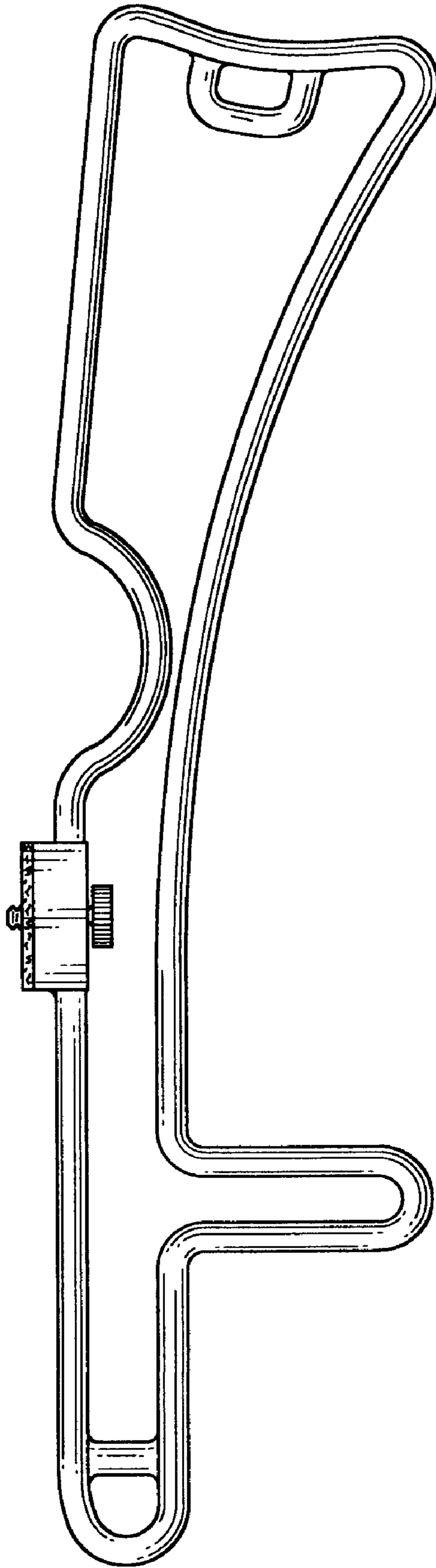


Fig. 2

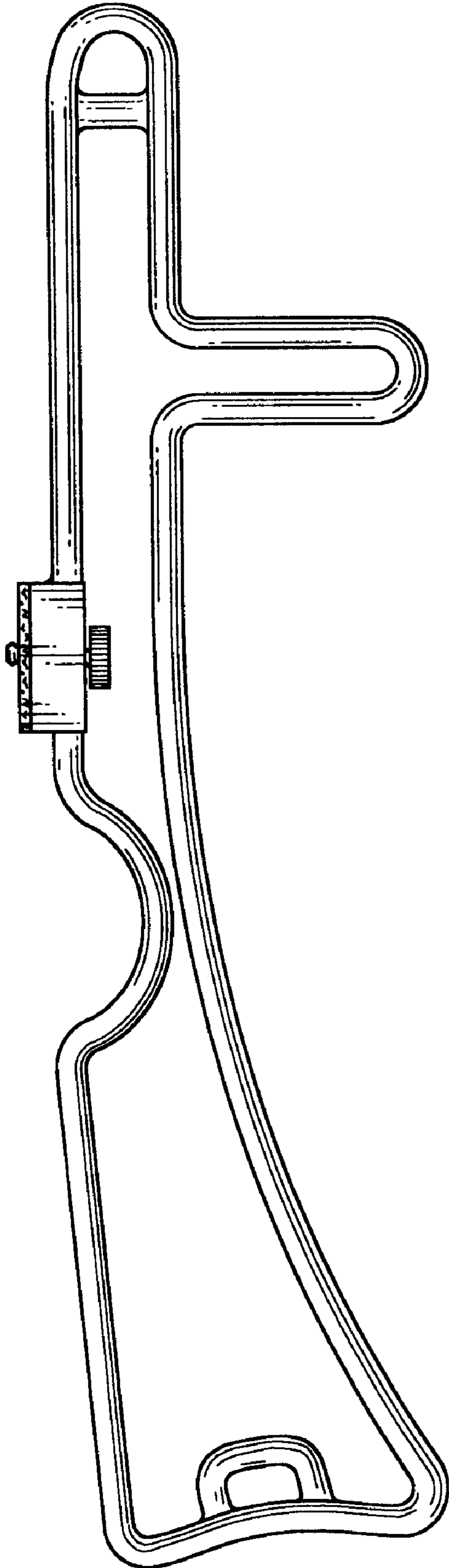


Fig. 3



Fig. 4

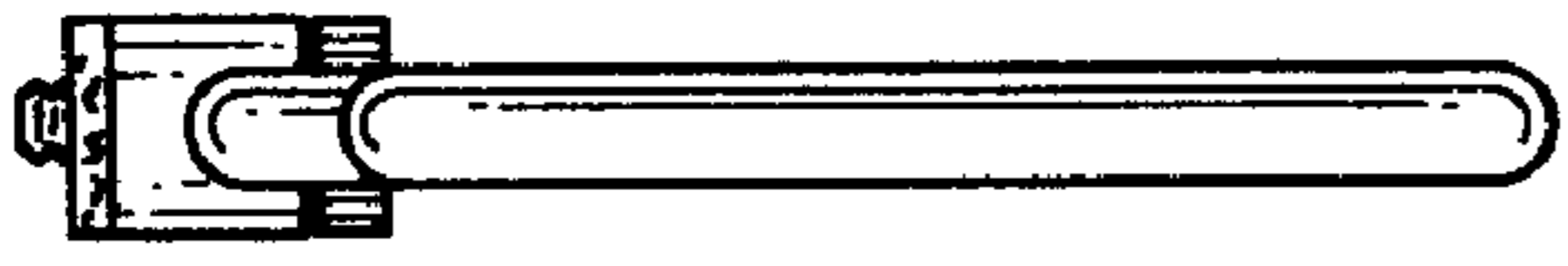


Fig. 6

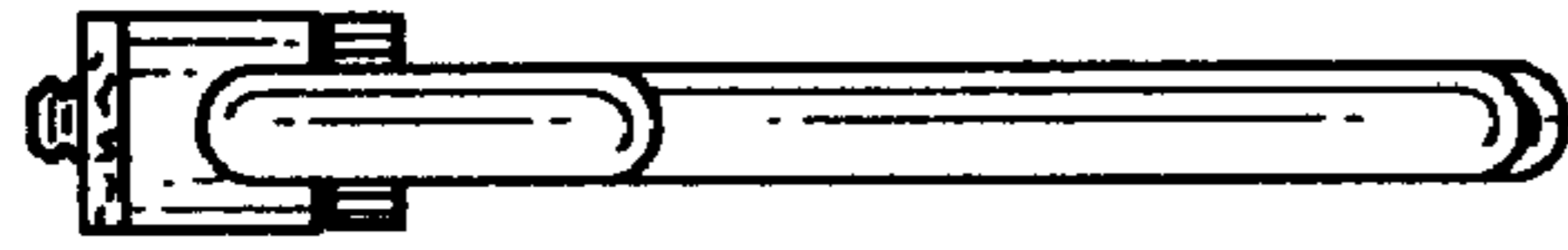


Fig. 5

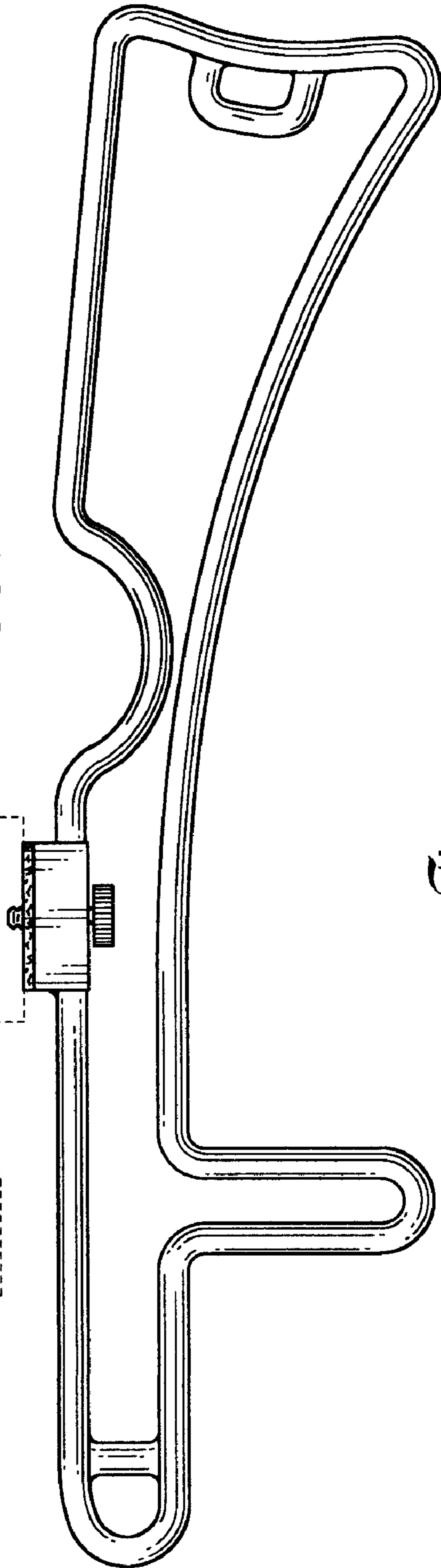
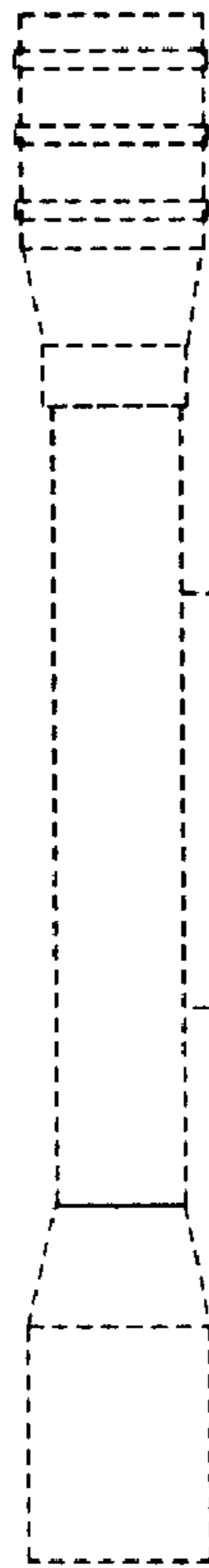


Fig. 7