

US00D527749S

(12) **United States Design Patent**  
**Eveland et al.**

(10) **Patent No.:** **US D527,749 S**

(45) **Date of Patent:** **\*\* Sep. 5, 2006**

(54) **CAN STORAGE AND DISPENSING  
CONTAINER FOR A REFRIGERATOR**

(75) Inventors: **Michael J. Eveland**, Cedar Rapids, IA  
(US); **Russ B. Peter**, Grinnell, IA (US);  
**Dennis E. Winders**, Cedar Rapids, IA  
(US)

(73) Assignee: **Maytag Corporation**, Newton, IA (US)

(\*\*) Term: **14 Years**

(21) Appl. No.: **29/251,609**

(22) Filed: **Jan. 11, 2006**

(51) **LOC (8) Cl.** ..... **15-07**

(52) **U.S. Cl.** ..... **D15/89**

(58) **Field of Classification Search** ..... D15/79-82,  
D15/89-91; D6/515, 525, 540, 567, 573,  
D6/574; 62/3.6, 137, 246-255, 337, 344;  
211/74, 183; 220/592.01; 312/116, 321.5,  
312/236, 401, 405.1

See application file for complete search history.

(56) **References Cited**

**U.S. PATENT DOCUMENTS**

2,136,089	A	11/1938	Stone	
D141,423	S	* 5/1945	Lewis	..... D6/573
2,852,327	A	9/1958	Mason	
2,888,145	A	5/1959	Knott et al.	
2,996,344	A	8/1961	Garman	
3,298,763	A	1/1967	Domenico	
3,379,294	A	4/1968	Liew, Jr.	
3,805,964	A	4/1974	Titus, Jr.	
4,287,992	A	9/1981	Takemori	
4,911,309	A	3/1990	Stefan	
D310,928	S	* 10/1990	Murphy	..... D6/574
5,009,329	A	4/1991	Farrentine	
5,078,459	A	1/1992	Sclater	
5,119,948	A	* 6/1992	Hallgrimsson	..... 211/183
D351,845	S	* 10/1994	Johnson et al.	..... D15/89
5,356,033	A	10/1994	Delaney	

D357,837	S	* 5/1995	Kea	..... D6/540
5,462,198	A	10/1995	Schwimmer	
5,567,029	A	* 10/1996	Haenisch et al.	..... 312/405.1
D382,572	S	* 8/1997	Greenway et al.	..... D15/89
D385,287	S	* 10/1997	Westcott	..... D15/89
6,085,542	A	7/2000	Johnson et al.	
6,148,624	A	* 11/2000	Bishop et al.	..... 62/137
6,173,582	B1	1/2001	Hixson	
6,206,237	B1	3/2001	Dillon et al.	
D468,329	S	* 1/2003	Kwak	..... D15/91
D474,484	S	* 5/2003	Kim	..... D15/89
D483,777	S	* 12/2003	Johnson	..... D15/89
6,694,771	B1	2/2004	Kim et al.	
D513,270	S	* 12/2005	Seok et al.	..... D15/89

\* cited by examiner

*Primary Examiner*—Mitchell Siegel

*Assistant Examiner*—Shanda C. Hill

(74) *Attorney, Agent, or Firm*—Diedericks & Whitelaw,  
PLC

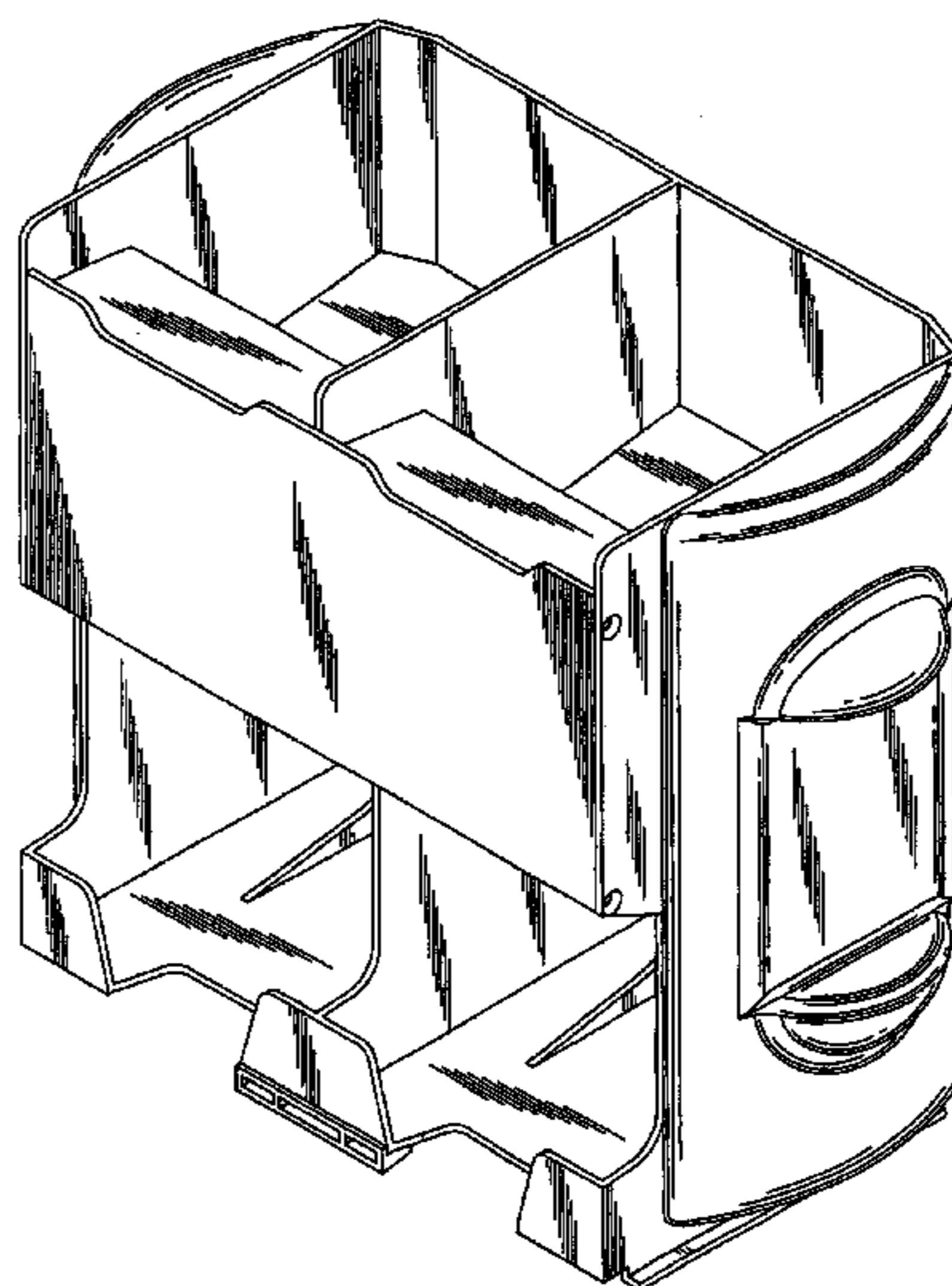
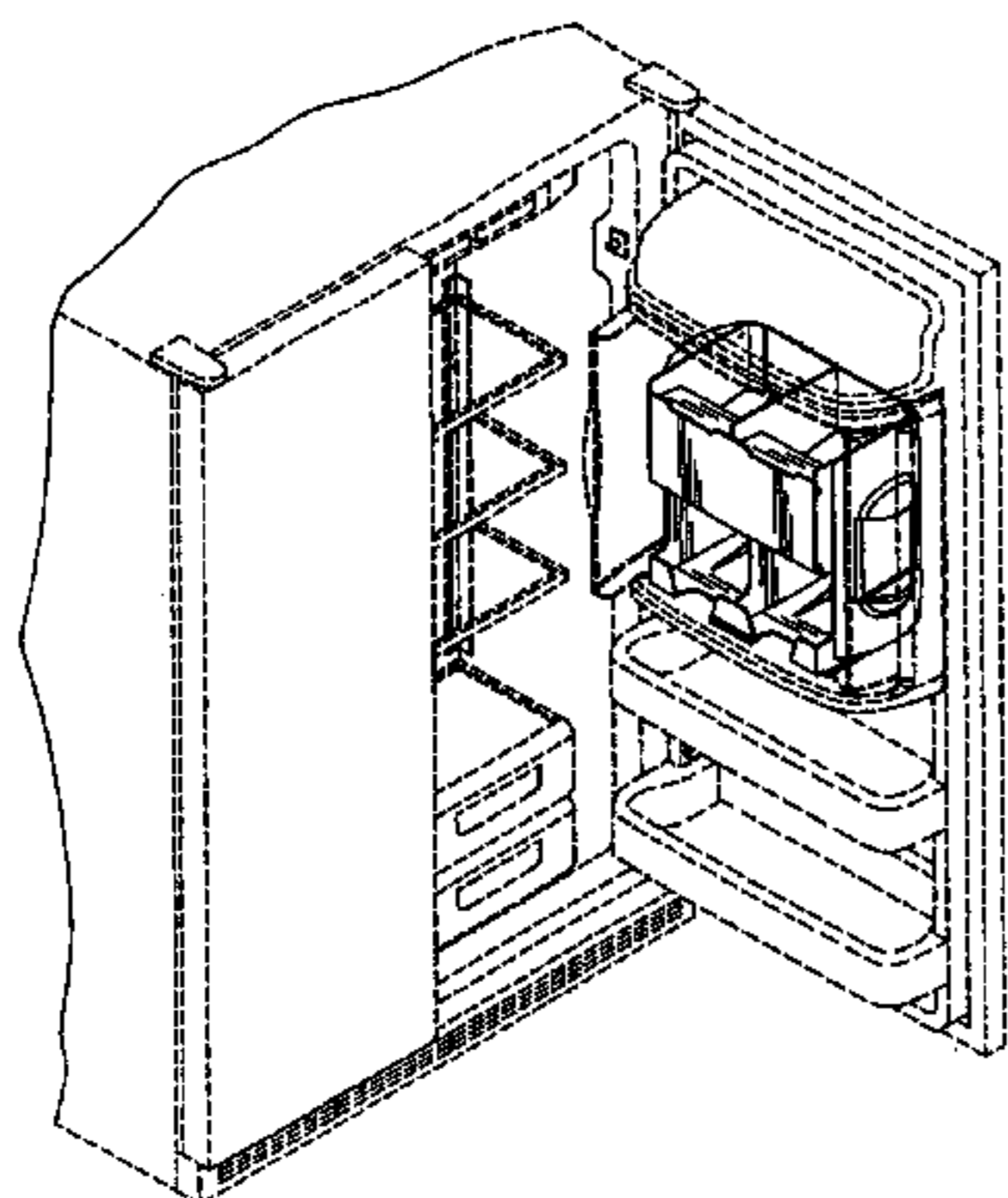
(57) **CLAIM**

The ornamental design for a can storage and dispensing container for a refrigerator, as shown and described.

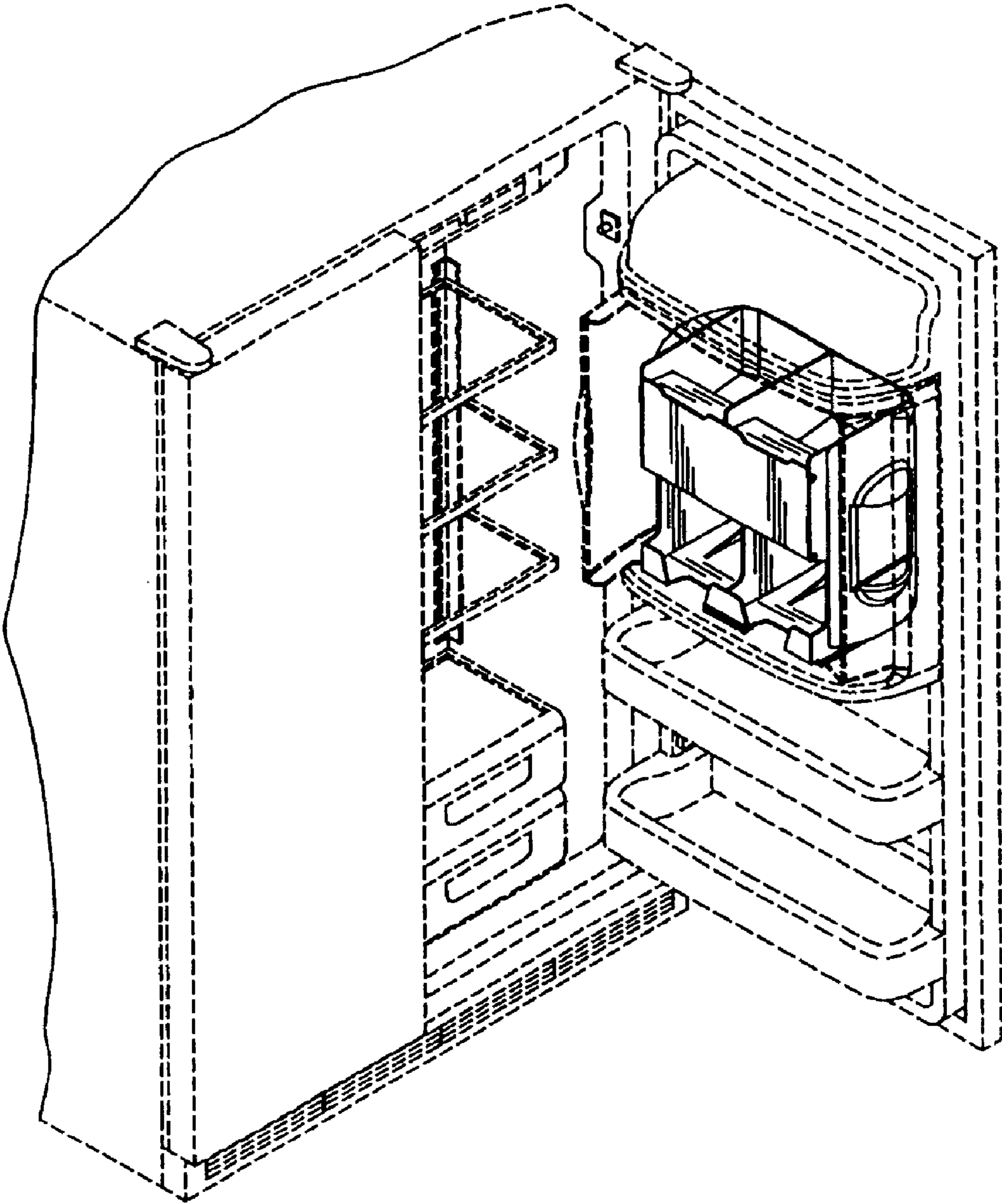
**DESCRIPTION**

FIG. 1 is an upper left perspective view of a can and storage dispensing container for a refrigerator showing our new design, shown mounted on the door of a refrigerator; FIG. 2 is an upper right perspective view of the can and storage dispensing container for a refrigerator; FIG. 3 is a front elevational view thereof; FIG. 4 is a rear elevational view thereof; FIG. 5 is a top plan view thereof; FIG. 6 is a bottom plan view thereof; FIG. 7 is a left side elevational view thereof; and, FIG. 8 is a right side elevational view thereof. The broken lines shown in the drawing disclosure are for illustrative purposes only and form no part of the claimed design.

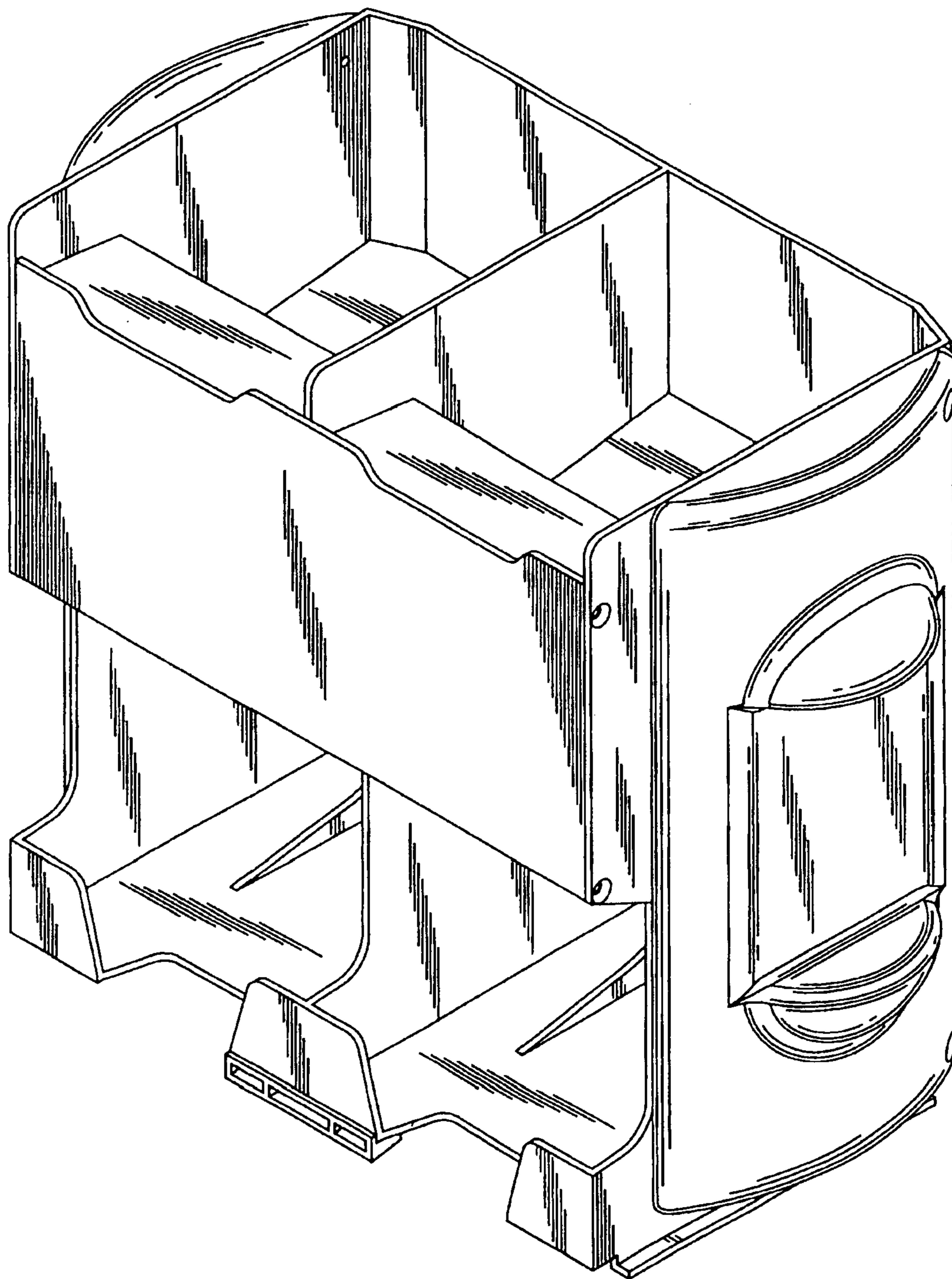
**1 Claim, 7 Drawing Sheets**



*FIG. 1*

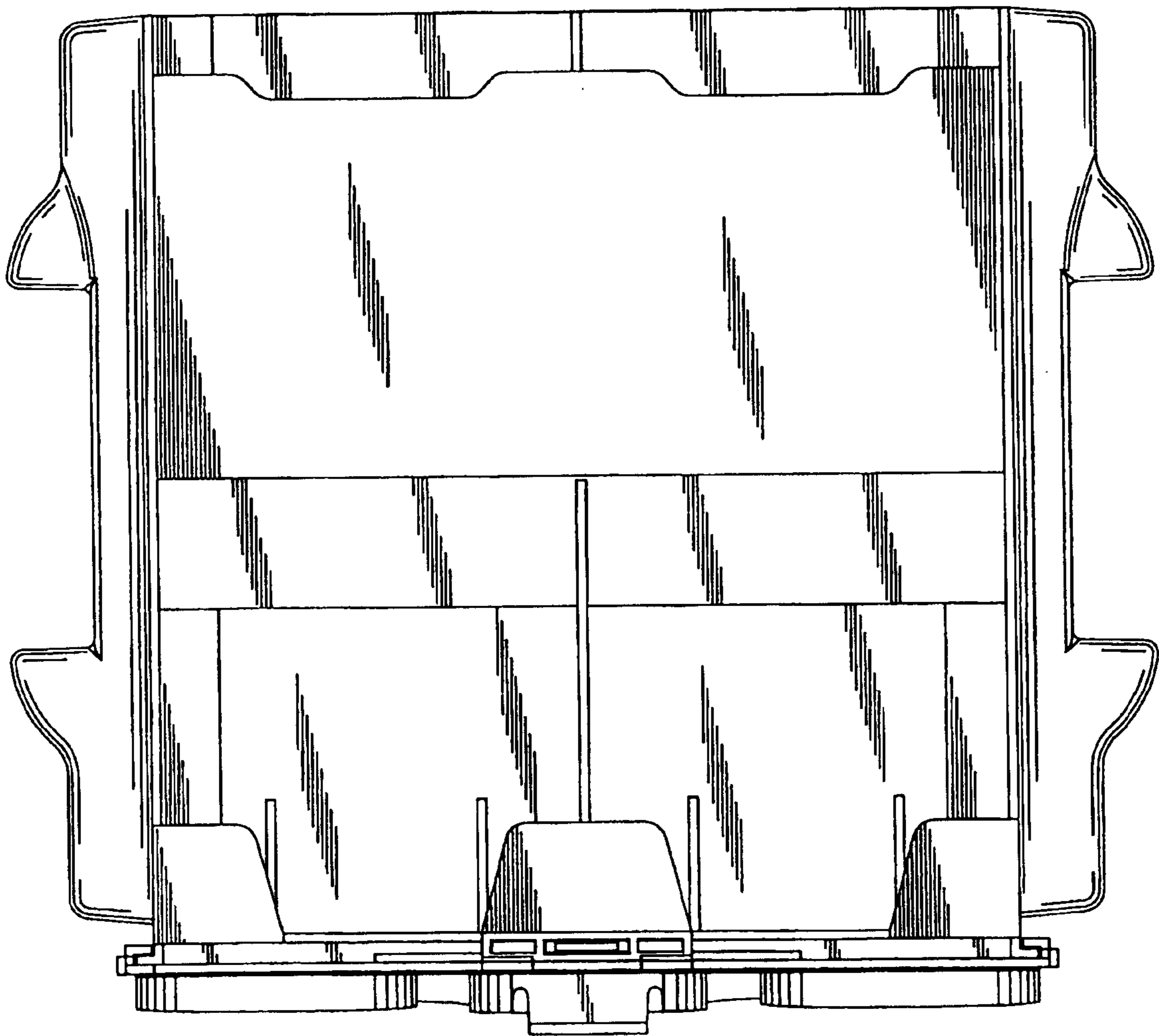


*FIG. 2*

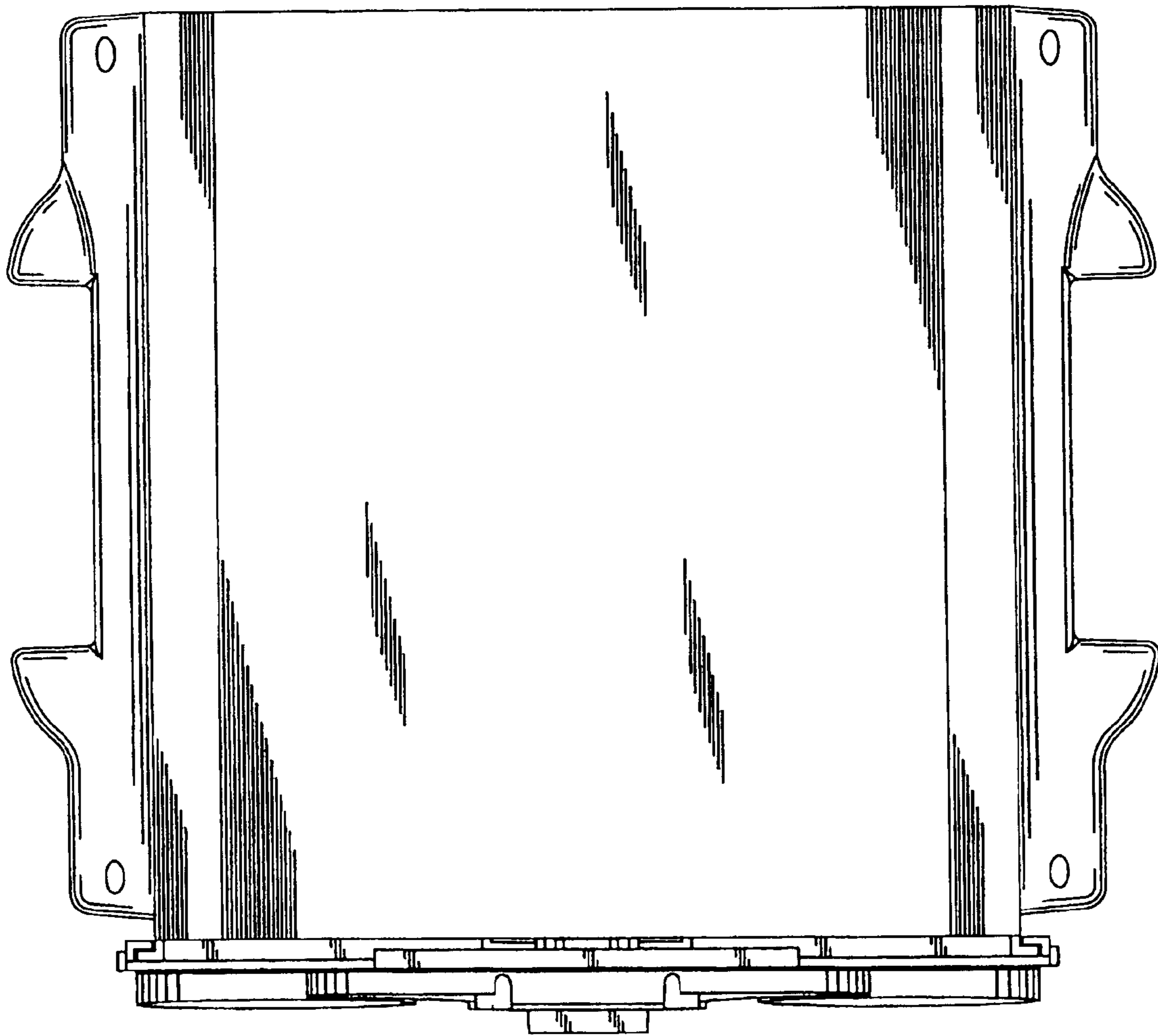




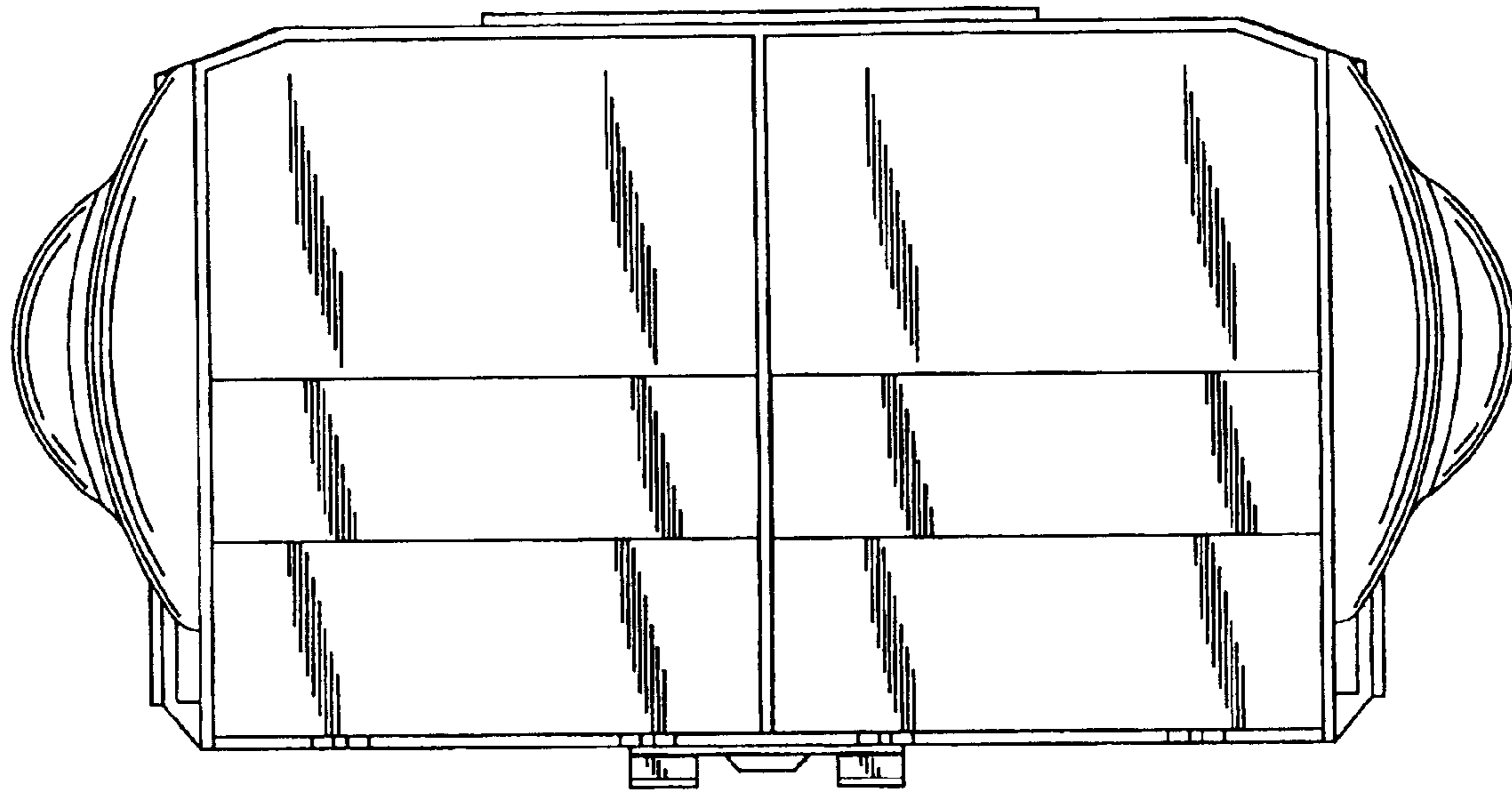
*FIG. 3*



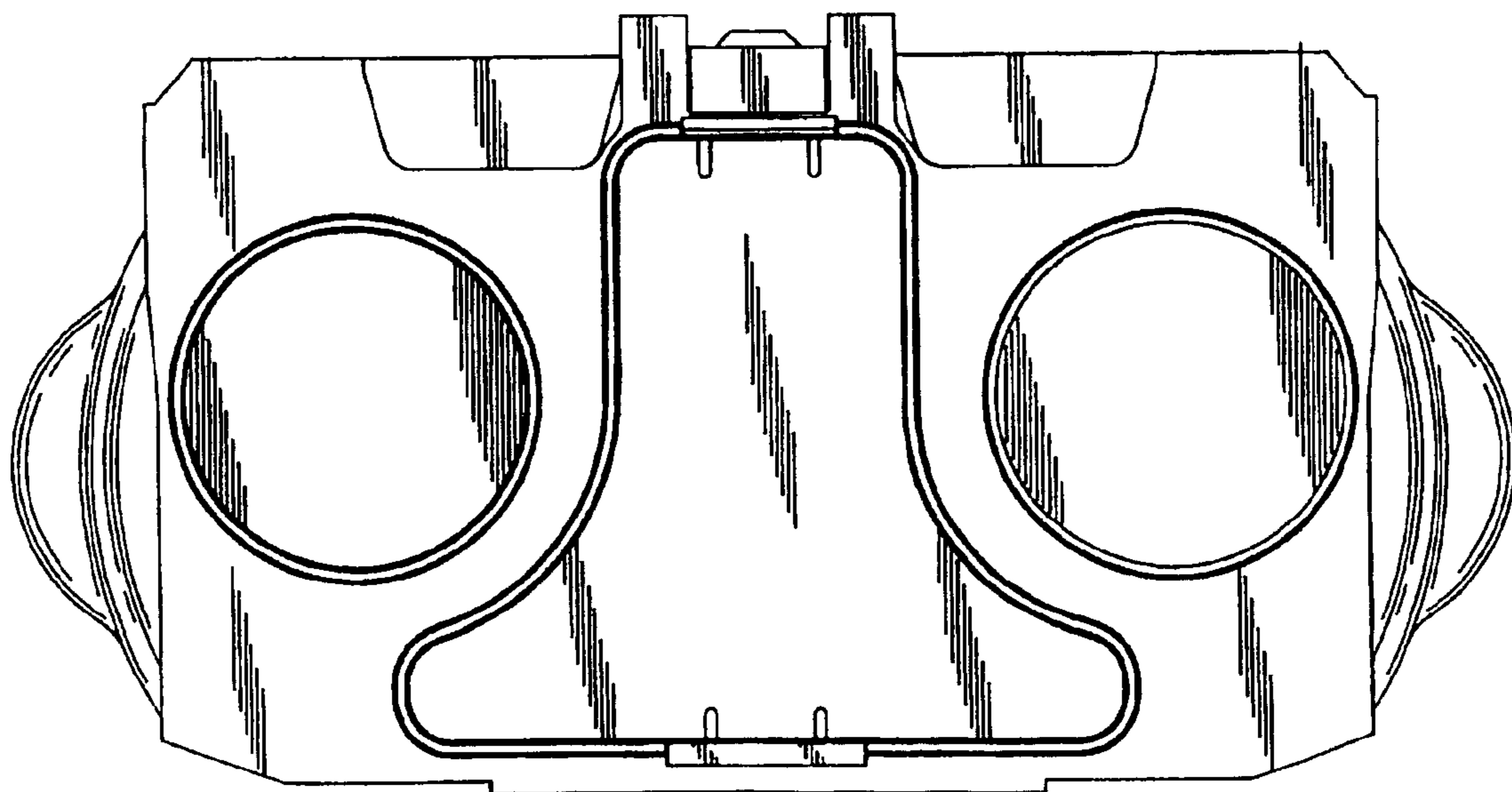
*FIG. 4*



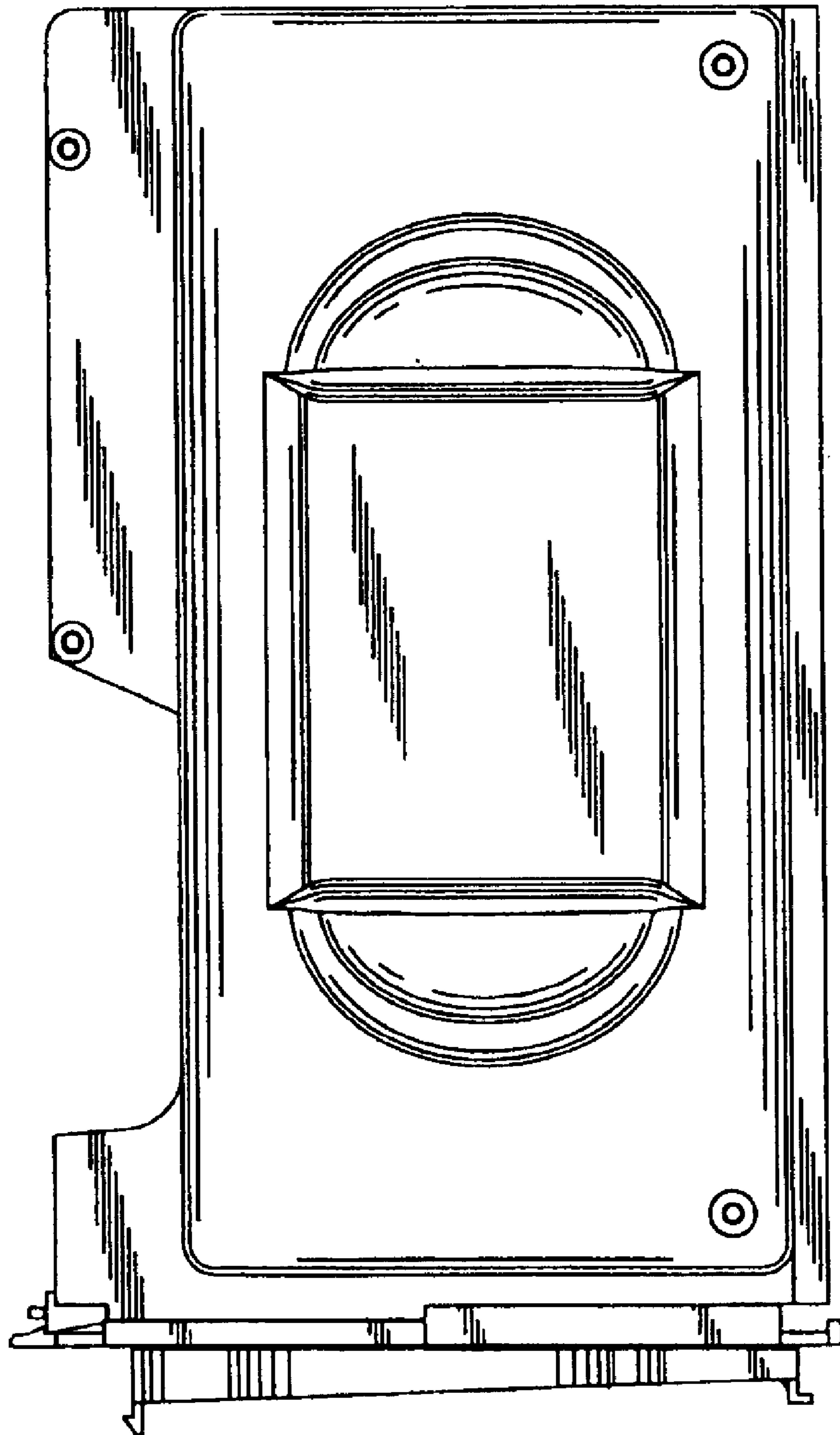
*FIG. 5*



*FIG. 6*



*FIG. 7*



*FIG. 8*

