



US00D527744S

(12) **United States Design Patent**
Tseng

(10) **Patent No.:** **US D527,744 S**

(45) **Date of Patent:** **** Sep. 5, 2006**

(54) **SEWING MACHINE**

(75) **Inventor:** **Shui-Chun Tseng, Taiping (TW)**

(73) **Assignee:** **Zeng Hsing Industrial Co., Ltd., Taiping (TW)**

(**) **Term:** **14 Years**

(21) **Appl. No.:** **29/244,672**

(22) **Filed:** **Dec. 13, 2005**

(51) **LOC (8) Cl.** **15-06**

(52) **U.S. Cl.** **D15/68; D15/70**

(58) **Field of Classification Search** D15/66-70;
112/2, 63, 78, 154, 163, 217.1, 217.2, 217.3,
112/217.4, 258-261, 444

See application file for complete search history.

(56) **References Cited**

U.S. PATENT DOCUMENTS

D274,435 S	*	6/1984	Hanyu et al.	D15/68
D280,730 S	*	9/1985	Uchida	D15/69
D285,571 S	*	9/1986	Eguchi et al.	D15/69
D289,298 S	*	4/1987	Eguchi et al.	D15/69
D290,368 S	*	6/1987	Eguchi	D15/69
D300,832 S	*	4/1989	Kuroki	D15/70

D317,453 S	*	6/1991	Uguchi	D15/70
D321,354 S	*	11/1991	Kuroki	D15/70
D337,772 S	*	7/1993	Kuroki	D15/70
D347,847 S	*	6/1994	Eguchi	D15/69
D450,722 S	*	11/2001	Kawaguchi	D15/69
D506,212 S	*	6/2005	Kuroki	D15/69

* cited by examiner

Primary Examiner—Mitchell Siegel

Assistant Examiner—Shanda C. Hill

(74) *Attorney, Agent, or Firm*—McNees Wallace & Nurick LLC

(57) **CLAIM**

The ornamental design for sewing machine, as shown and described.

DESCRIPTION

FIG. 1 is a perspective view of sewing machine showing my new design;

FIG. 2 is a front elevational view thereof;

FIG. 3 is a rear elevational view thereof;

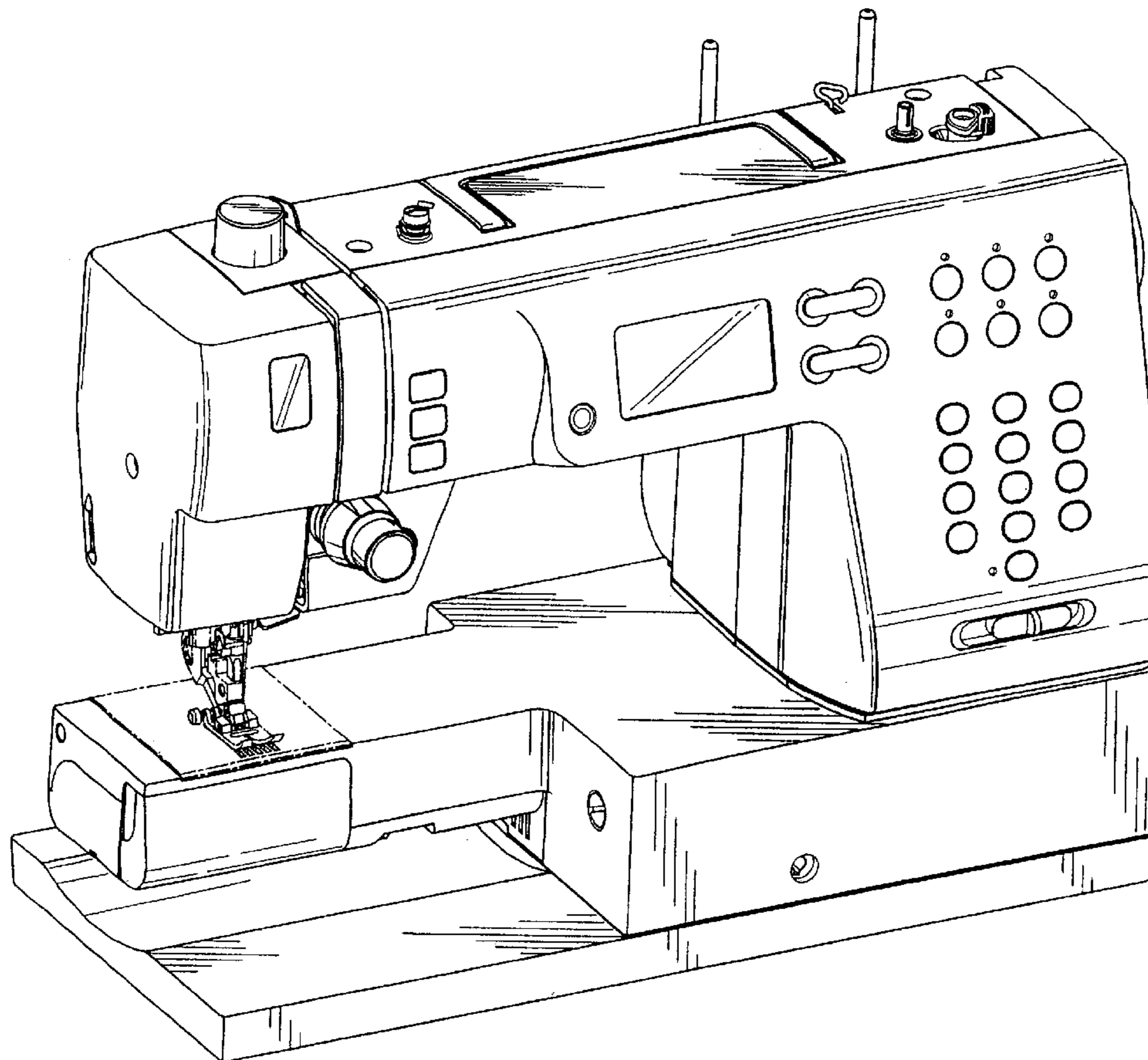
FIG. 4 is a left side elevational view thereof;

FIG. 5 is a right side elevational view thereof;

FIG. 6 is a top plan view thereof; and,

FIG. 7 is a bottom plan view thereof.

1 Claim, 6 Drawing Sheets



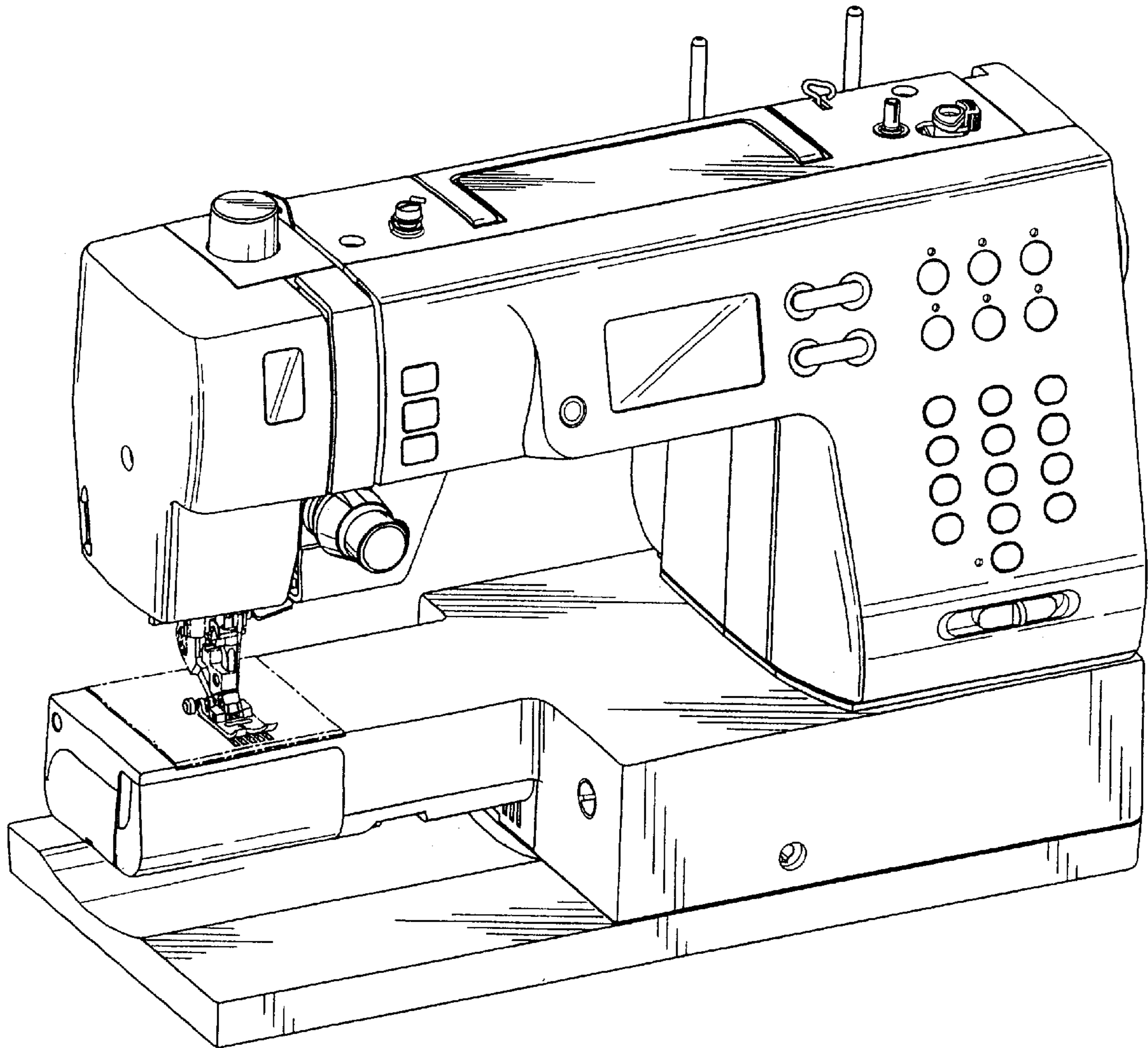


FIG. 1

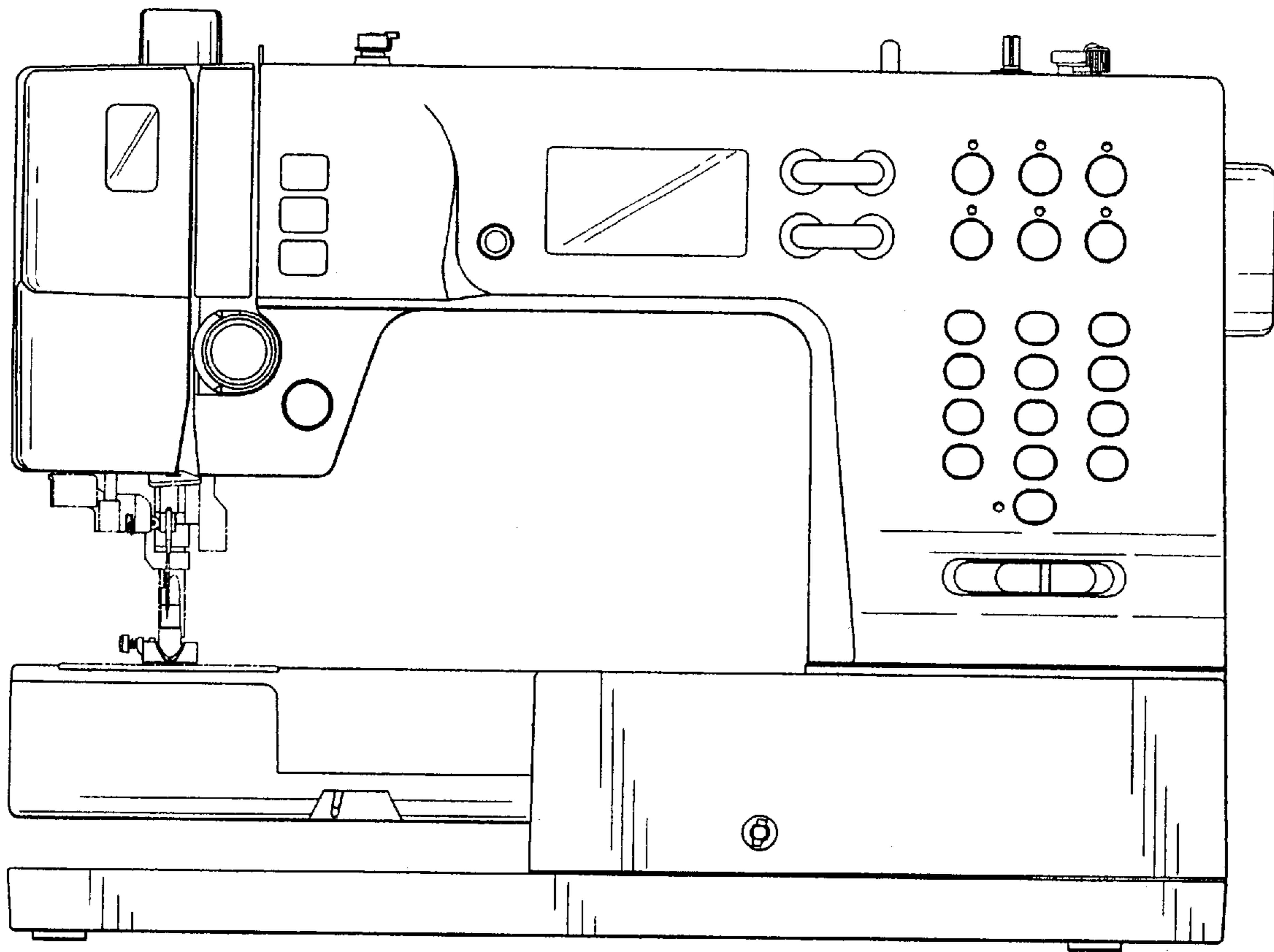


FIG. 2

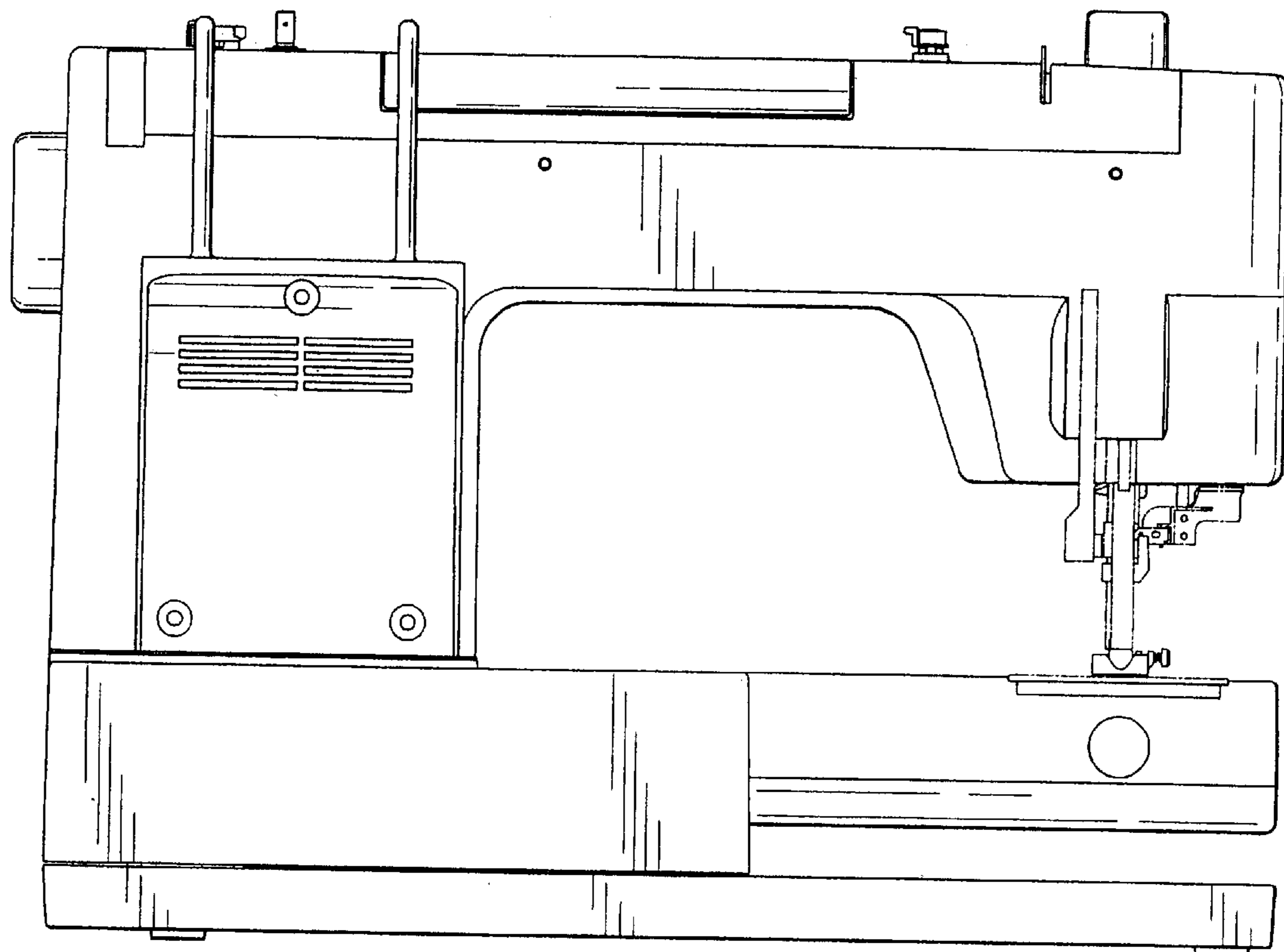


FIG. 3

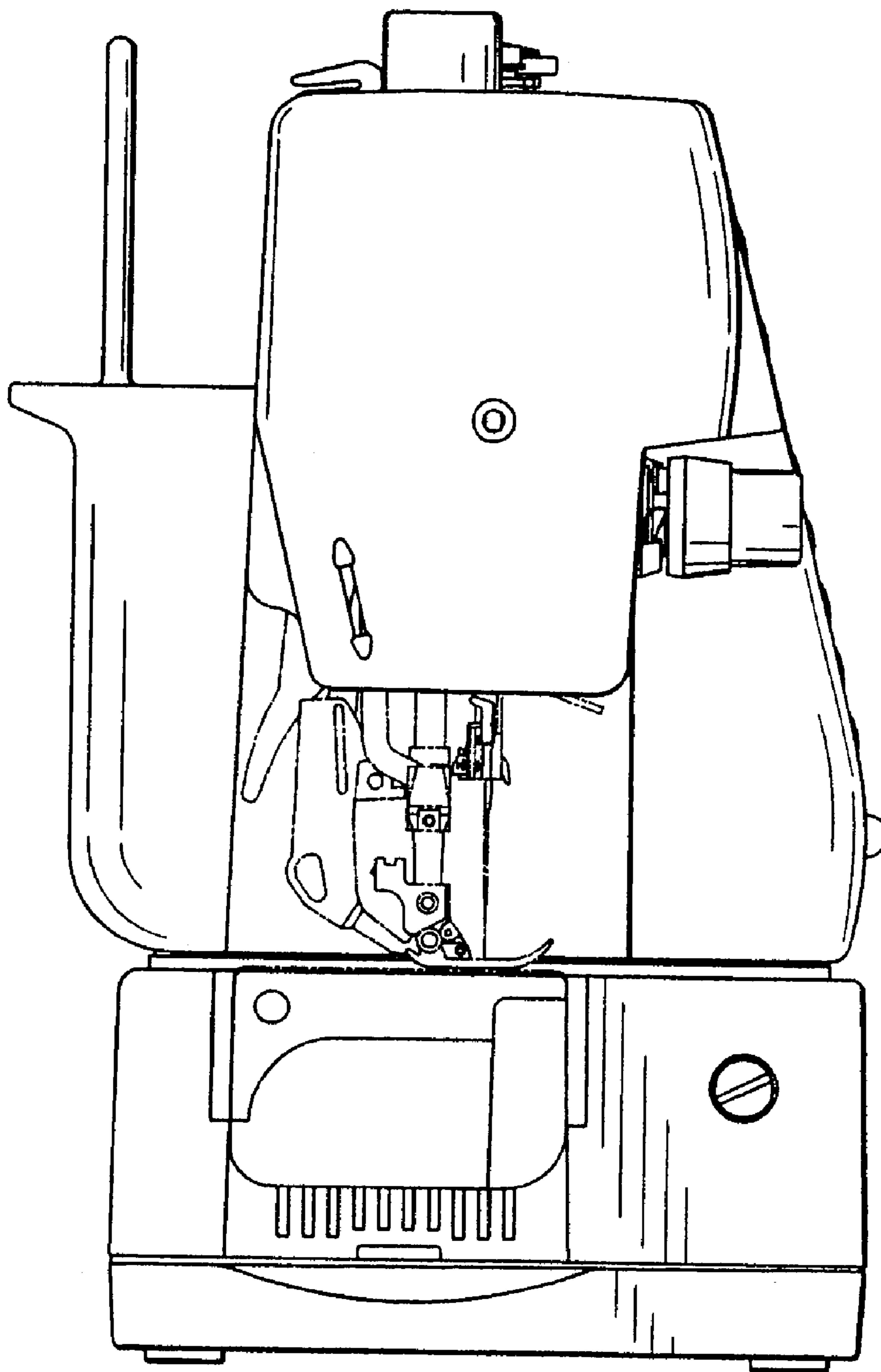


FIG. 4

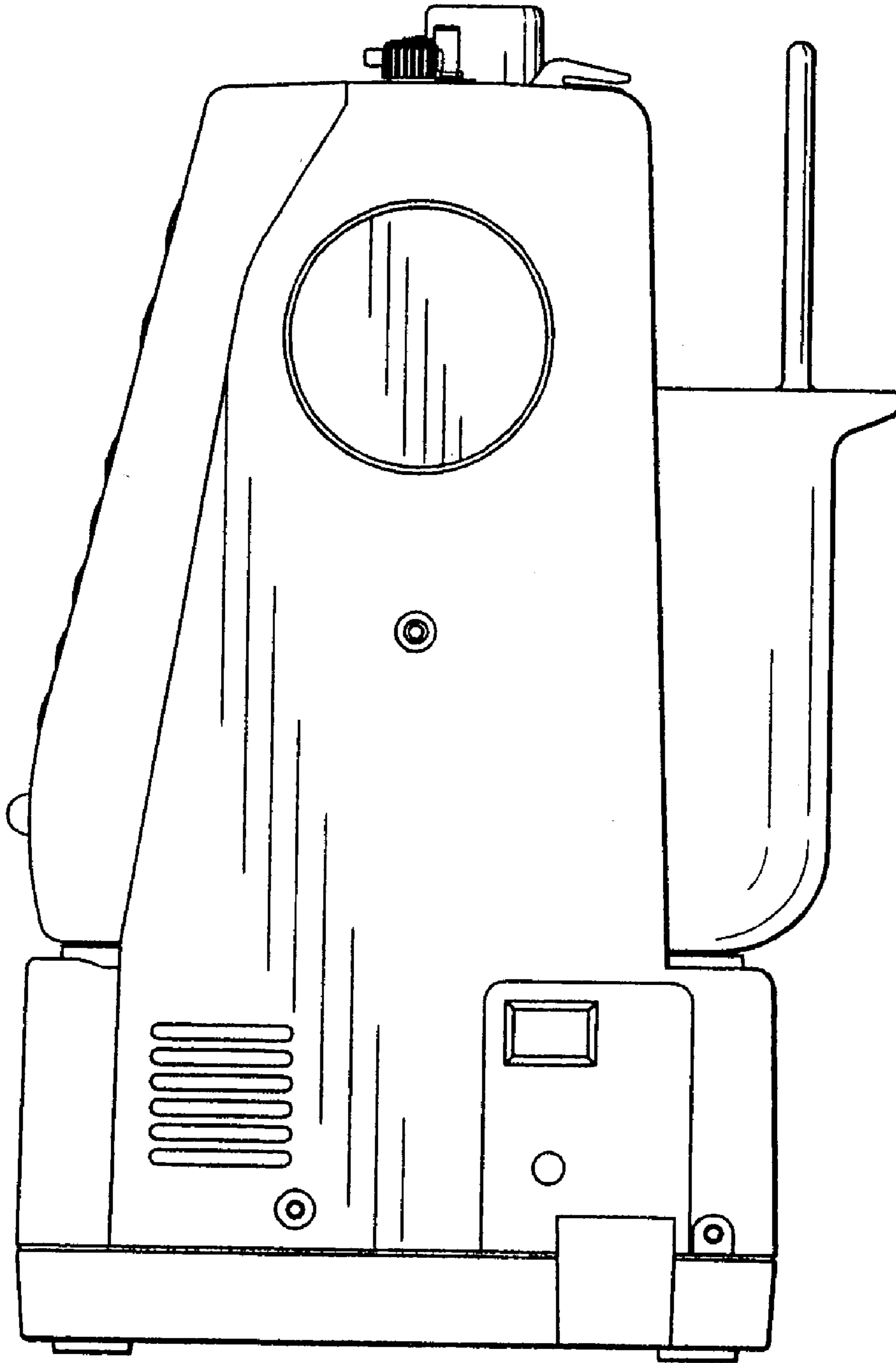


FIG. 5

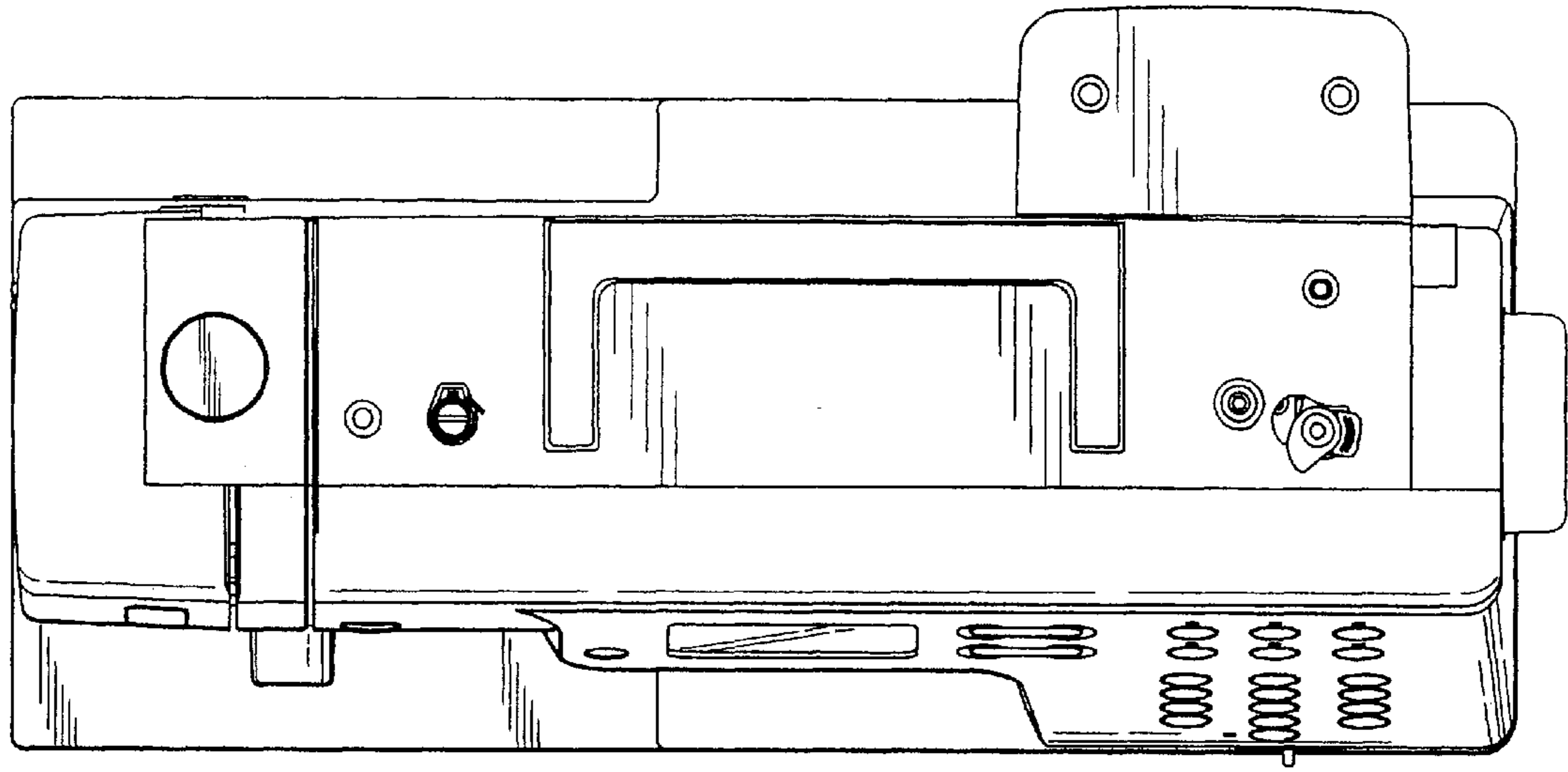


FIG. 6

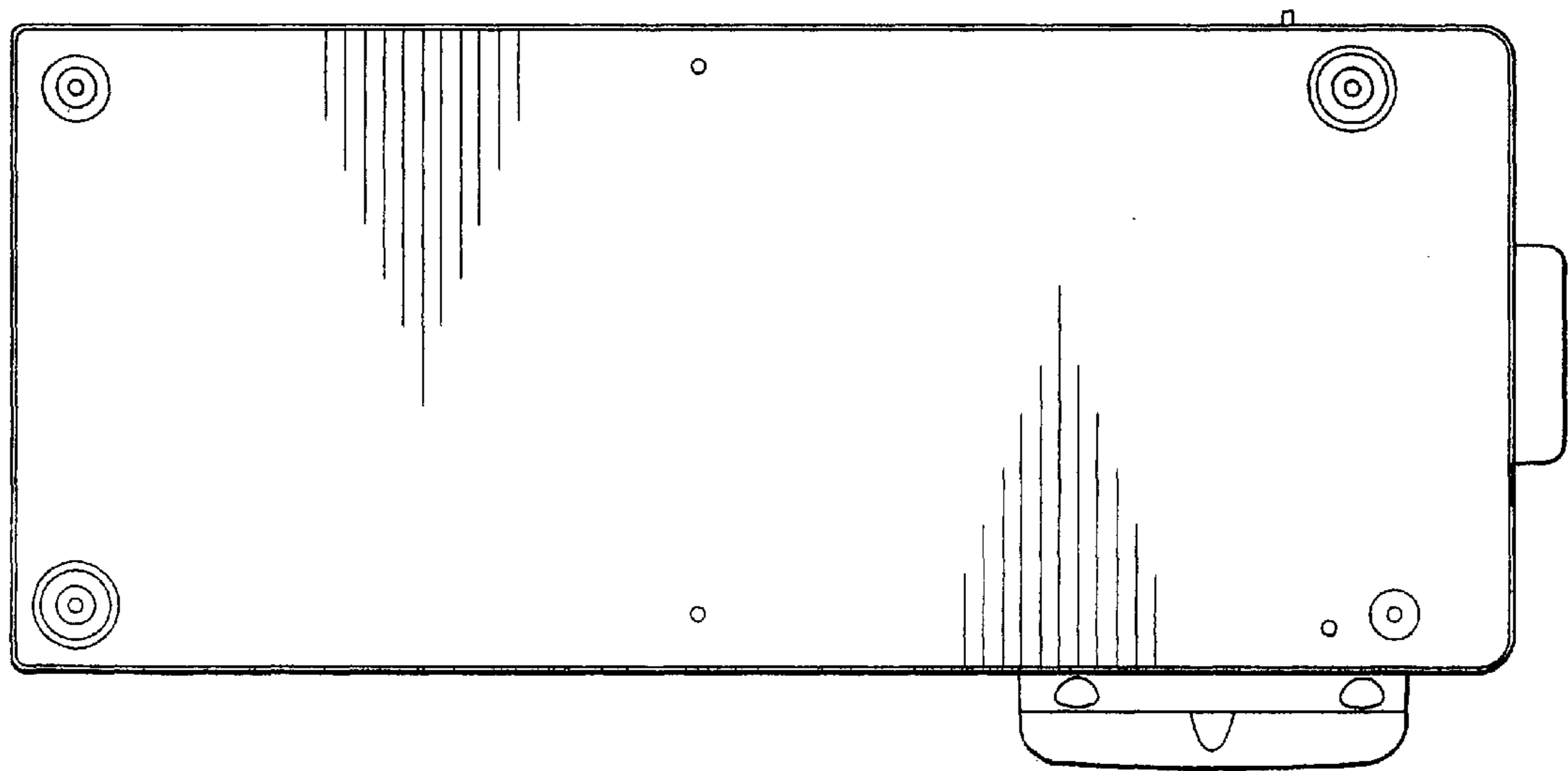


FIG. 7