



US00D527740S

(12) **United States Design Patent**  
**Ingwersen et al.**

(10) **Patent No.:** **US D527,740 S**

(45) **Date of Patent:** **\*\* Sep. 5, 2006**

(54) **BLOW OFF VALVE**

(75) Inventors: **Russell Mark Ingwersen**, Pennant Hills (AU); **Benjamin Anthony Schippers**, Quakers Hill (AU)

(73) Assignee: **TXS Pty Limited**, New South Wales (AU)

(\*\*) Term: **14 Years**

(21) Appl. No.: **29/225,705**

(22) Filed: **Mar. 18, 2005**

(30) **Foreign Application Priority Data**

Feb. 8, 2005 (AU) ..... 10500/2005

(51) **LOC (8) Cl.** ..... **15-01**

(52) **U.S. Cl.** ..... **D15/5**

(58) **Field of Classification Search** ..... D23/233-237,  
D23/244-249; D15/1-5; 60/599-603, 611;  
123/564; 205/633

See application file for complete search history.

(56) **References Cited**

**U.S. PATENT DOCUMENTS**

6,722,128 B1 \* 4/2004 Adrian ..... 60/600

2002/0134080 A1 \* 9/2002 Ostertag ..... 60/602  
2004/0112052 A1 \* 6/2004 Koch et al. .... 60/602  
2005/0072151 A1 \* 4/2005 Shiraishi et al. .... 60/602  
2005/0204730 A1 \* 9/2005 Tsukahara et al. .... 60/290  
2006/0059908 A1 \* 3/2006 Schorn et al. .... 60/599

\* cited by examiner

*Primary Examiner*—Ian Simmons

*Assistant Examiner*—Maurice Stevens

(74) *Attorney, Agent, or Firm*—Knobbe, Martens, Olson & Bear, LLP

(57) **CLAIM**

The ornamental design for a blow off valve, as shown and described.

**DESCRIPTION**

FIG. 1 is a front view of a blow off valve, showing our new design;

FIG. 2 is a top perspective view thereof;

FIG. 3 is a bottom perspective view thereof;

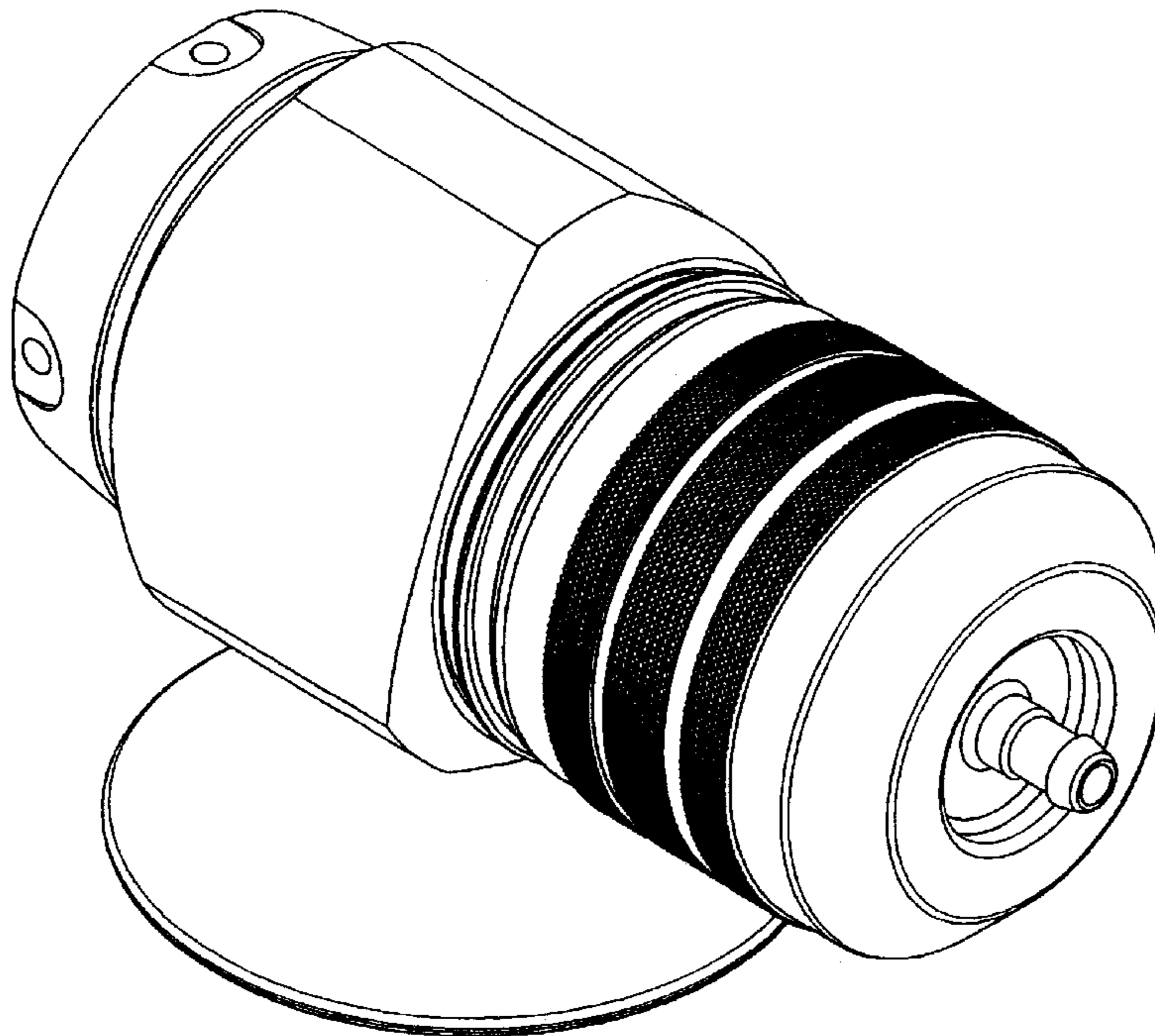
FIG. 4 is a rear view thereof;

FIG. 5 is a side view thereof;

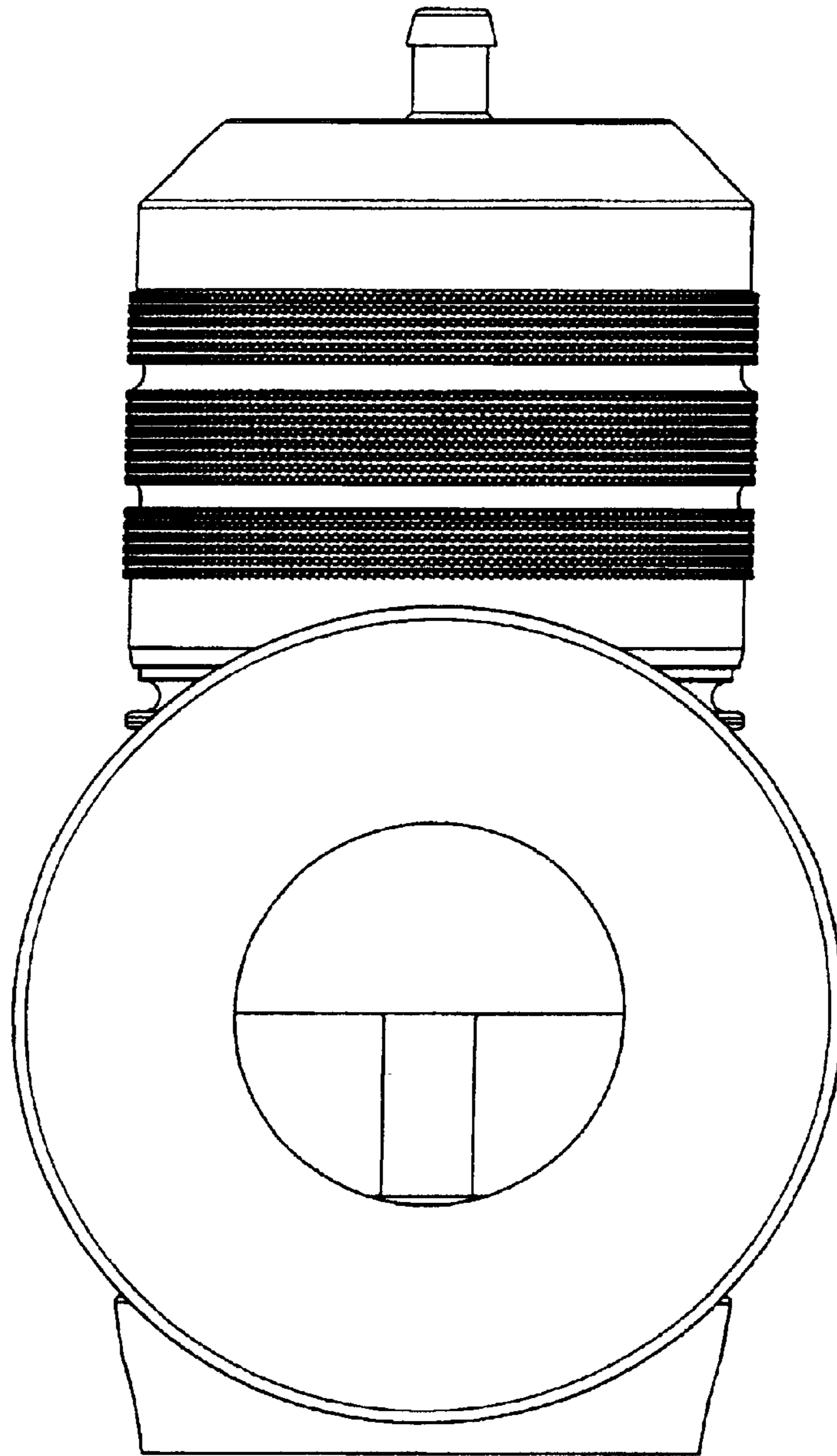
FIG. 6 is a top view thereof; and,

FIG. 7 is a bottom view thereof.

**1 Claim, 7 Drawing Sheets**

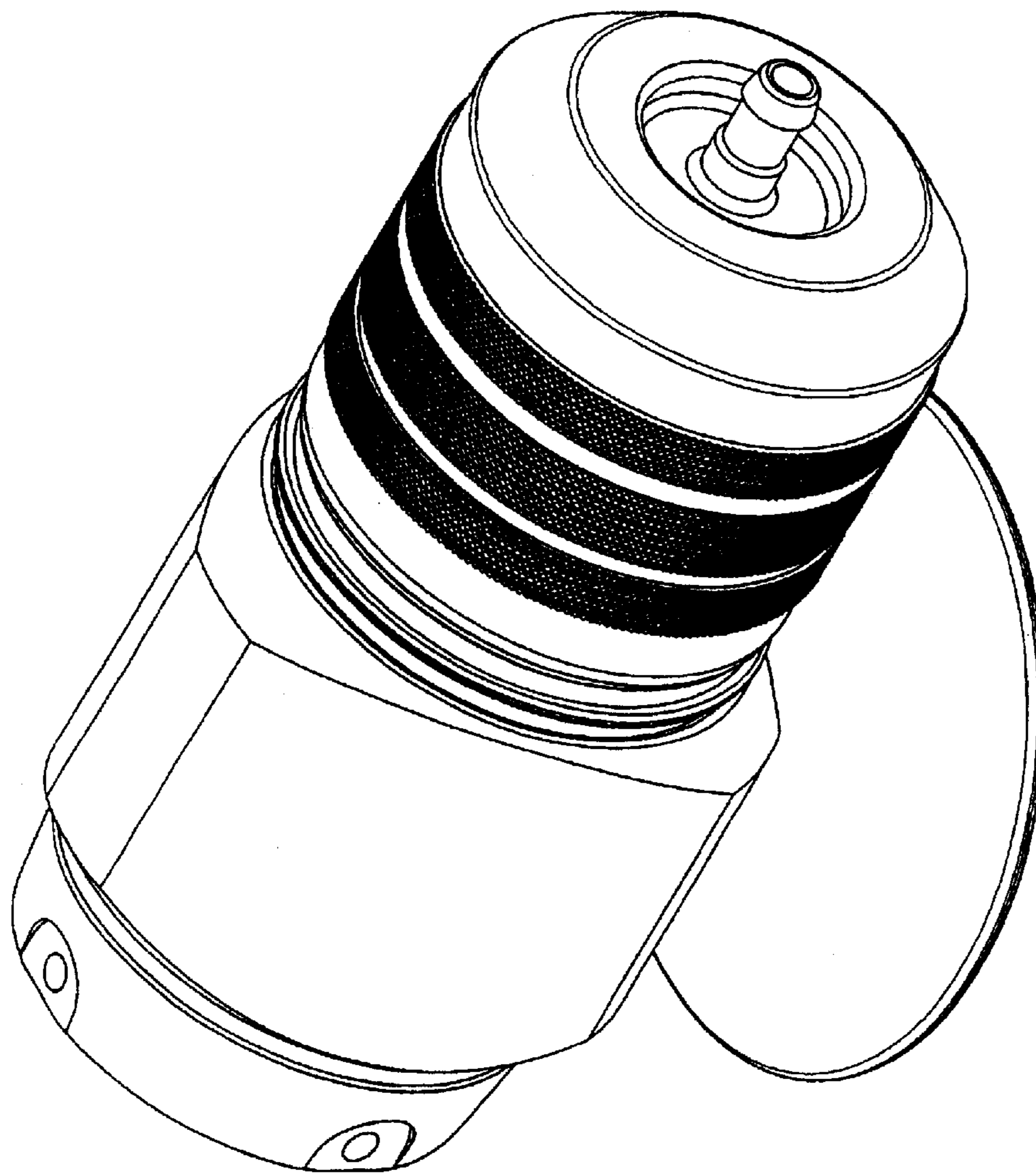


**Perspective View from Above**



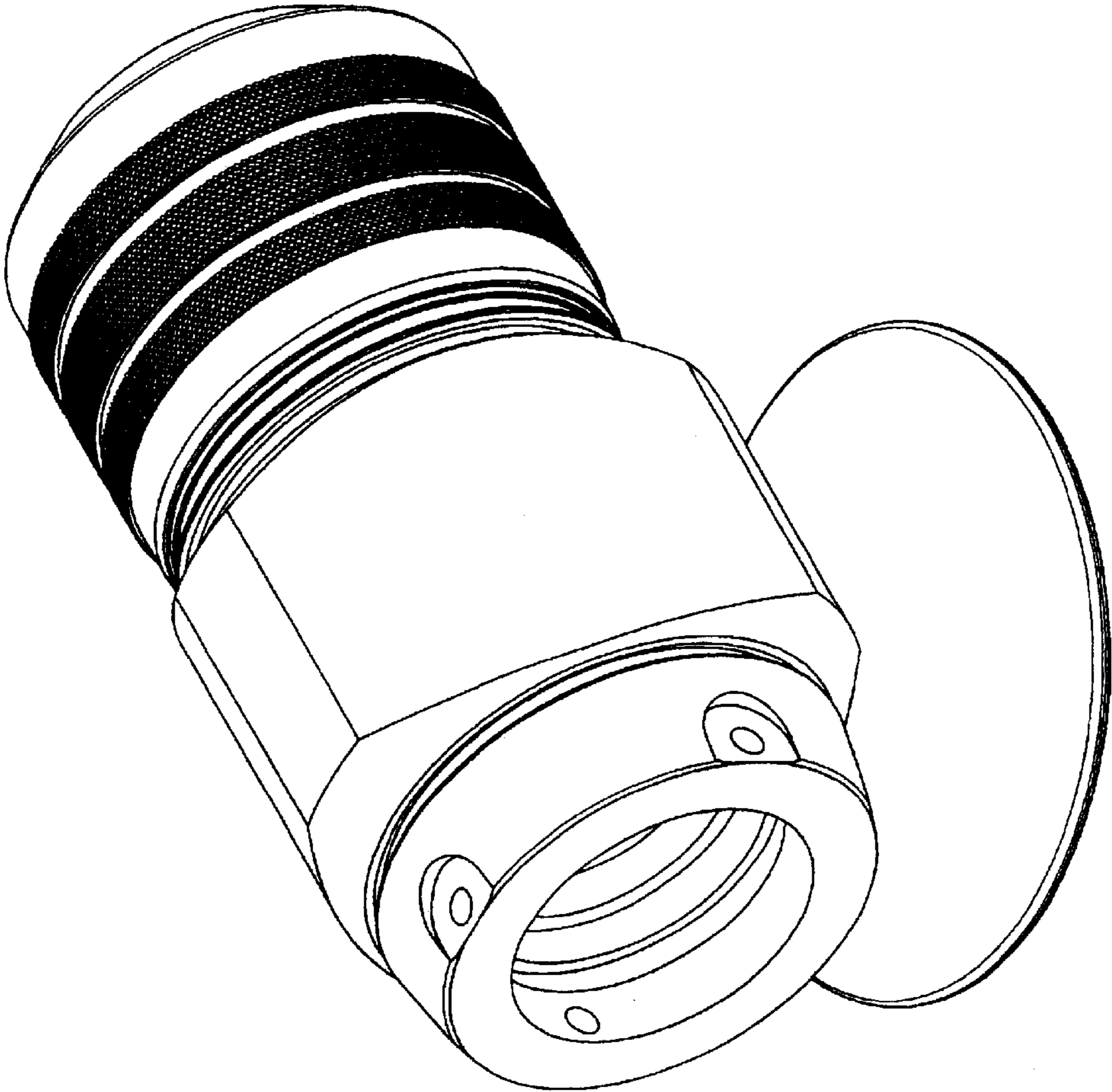
Front View

FIGURE 1



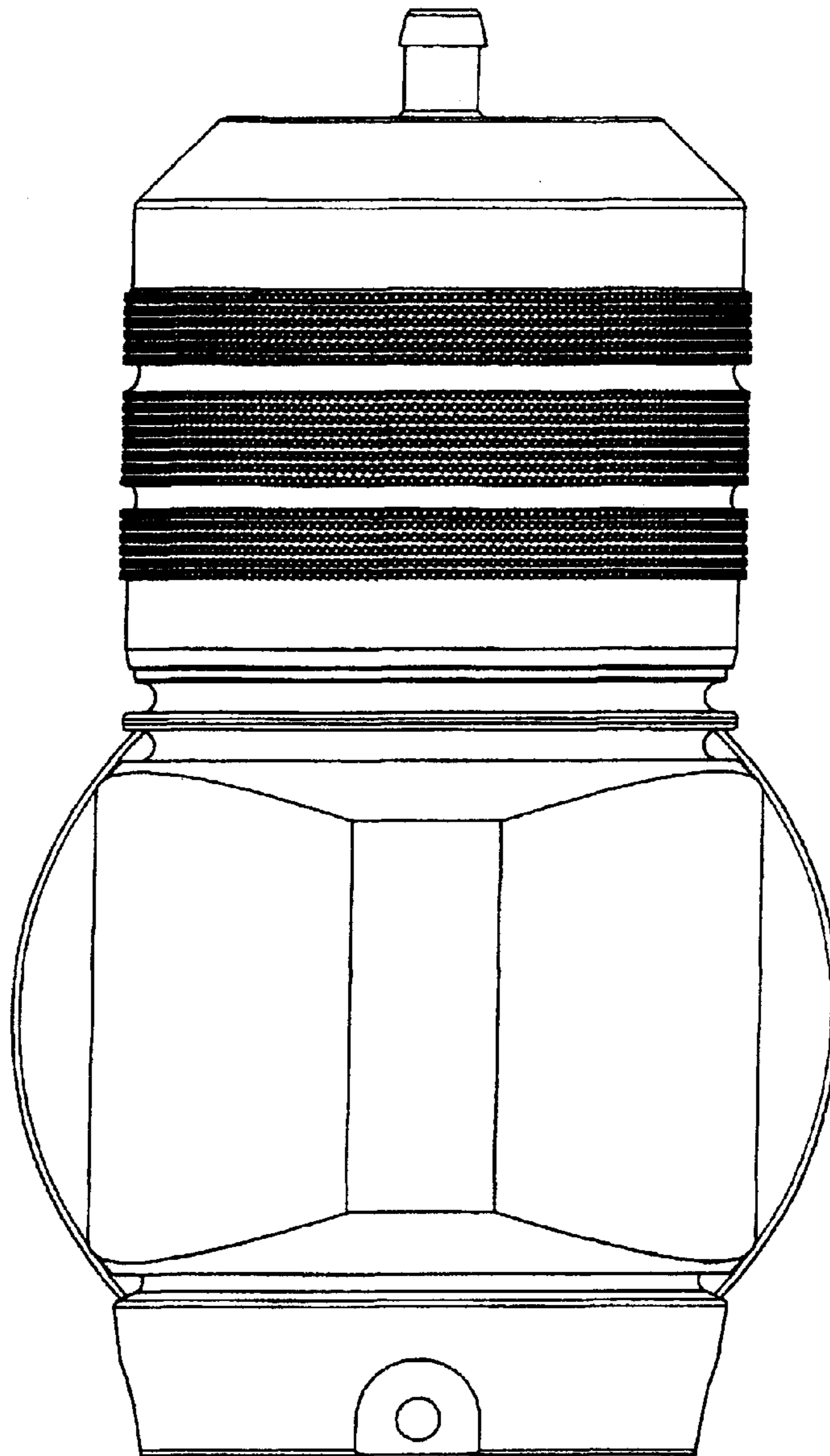
Perspective View from Above

FIGURE 2



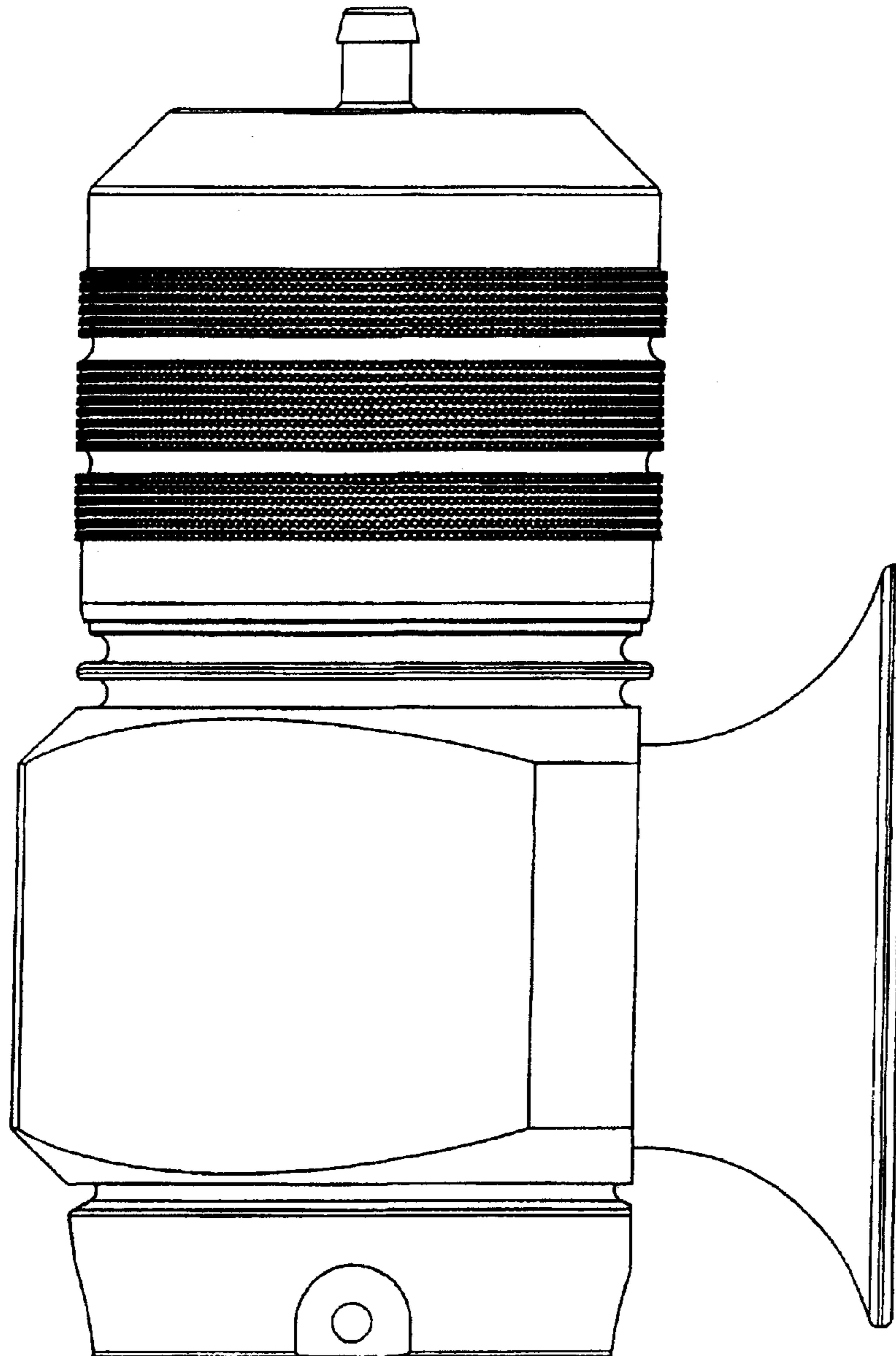
Perspective View from Below

FIGURE 3



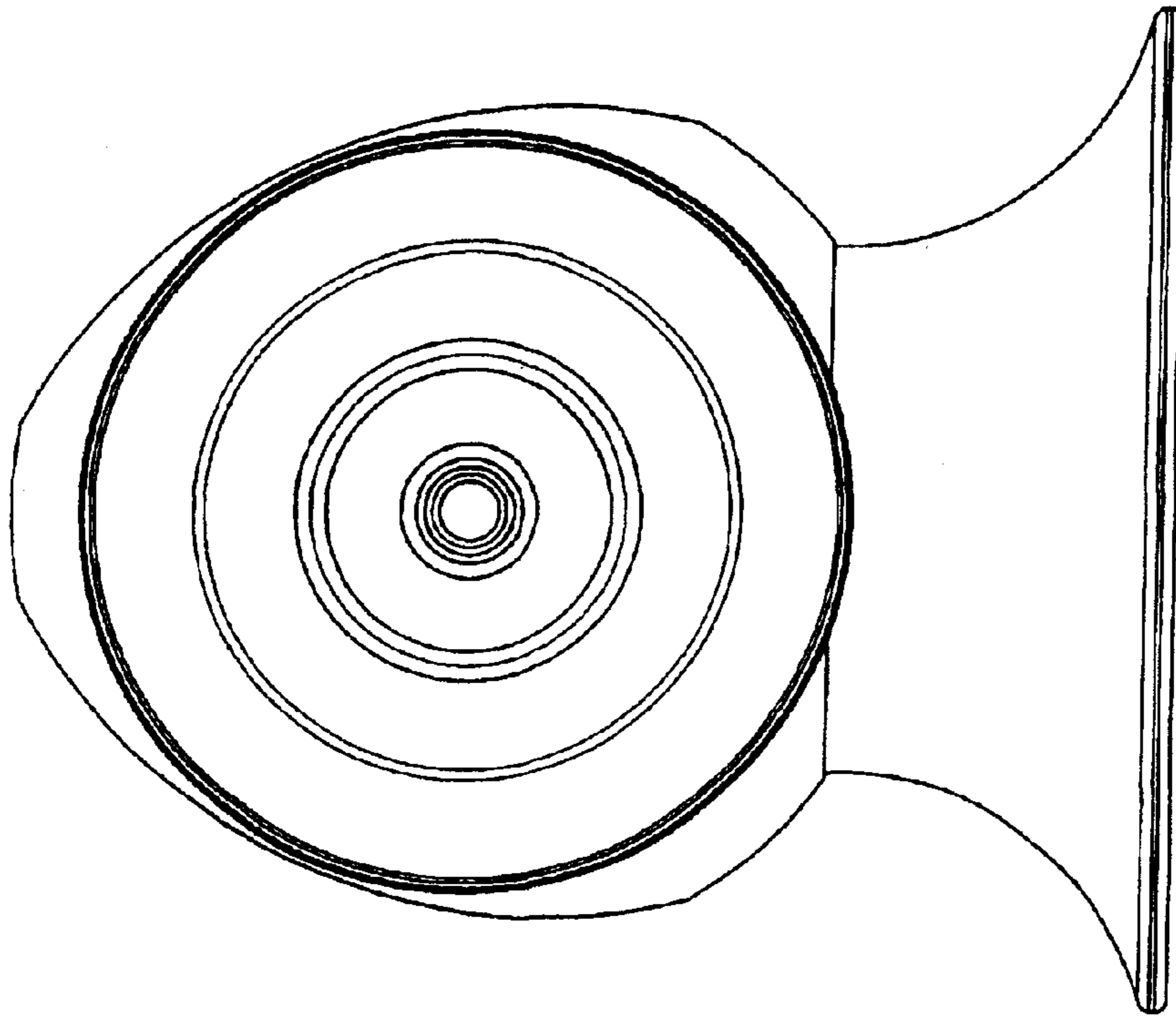
Rear View

FIGURE 4



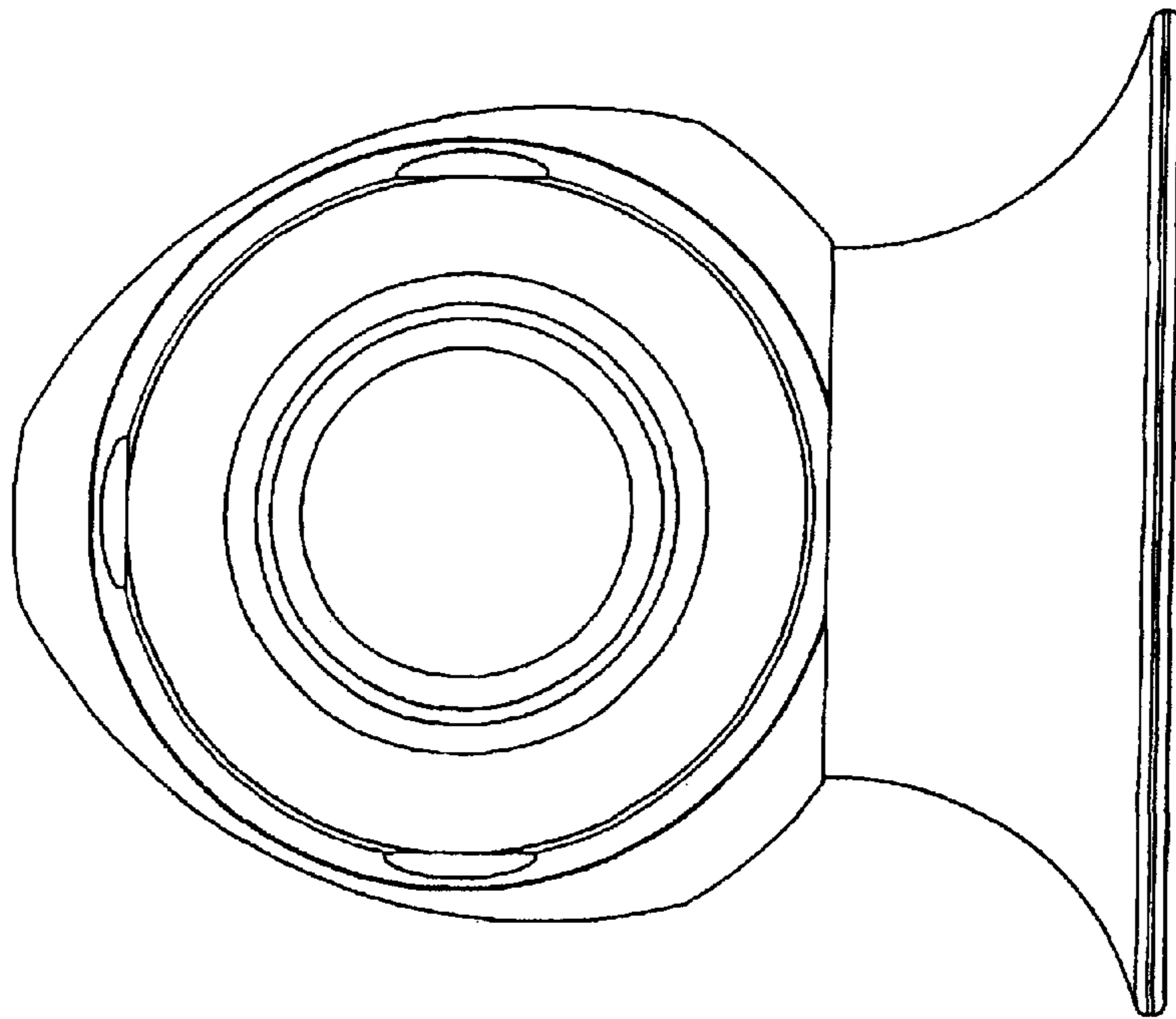
Side View

FIGURE 5



View from Above

FIGURE 6



View from Below

FIGURE 7