



US00D527739S

(12) **United States Design Patent**
De Luca et al.

(10) **Patent No.:** **US D527,739 S**

(45) **Date of Patent:** **** Sep. 5, 2006**

(54) **POWER STEERING MOTOR**

(75) Inventors: **Kenneth M. De Luca**, O'Fallon, IL (US); **Mark S. East**, Andover (GB); **John P. Foulsham**, Fleet (GB); **Richard E. Hartsfield, Jr.**, Chesterfield, MO (US); **Charles P. Ketterer**, Weybridge (GB); **Jemmi C. McDonald**, Fairview Heights, IL (US)

(73) Assignees: **Emerson Electric Co.**, St. Louis, MO (US); **Dana Emerson Actuator Systems, LLP**, Middlesex (GB)

(**) Term: **14 Years**

(21) Appl. No.: **29/216,925**

(22) Filed: **Nov. 10, 2004**

(51) **LOC (8) Cl.** **15-01**
(52) **U.S. Cl.** **D15/5**
(58) **Field of Classification Search** D15/1-5;
D13/122, 118; 74/606 R, 7 C, 421 A; 318/8-15,
318/138, 254, 439, 432-434; 310/83, 99,
310/78, 201, 254-271; 180/443-446
See application file for complete search history.

(56) **References Cited**

U.S. PATENT DOCUMENTS

5,994,807 A 11/1999 Coles et al.
6,194,849 B1 2/2001 Wilson-Jones et al.

6,211,631 B1 4/2001 Wilson-Jones et al.
6,814,209 B1 * 11/2004 Acosta 192/223.2
6,831,381 B1 * 12/2004 Ursel et al. 310/75 R
2002/0195893 A1 * 12/2002 Kobayashi et al. 310/83
2003/0090221 A1 * 5/2003 Becker et al. 318/254
2004/0149512 A1 * 8/2004 Tsutsui et al. 180/443
2005/0258627 A1 * 11/2005 Sadakata et al. 280/775

FOREIGN PATENT DOCUMENTS

EP 0 861 184 3/2000
EP 0 861 185 3/2000
EP 0 857 135 5/2002

* cited by examiner

Primary Examiner—Ian Simmons
Assistant Examiner—Maurice Stevens

(74) *Attorney, Agent, or Firm*—Harness, Dickey & Pierce, P.L.C.

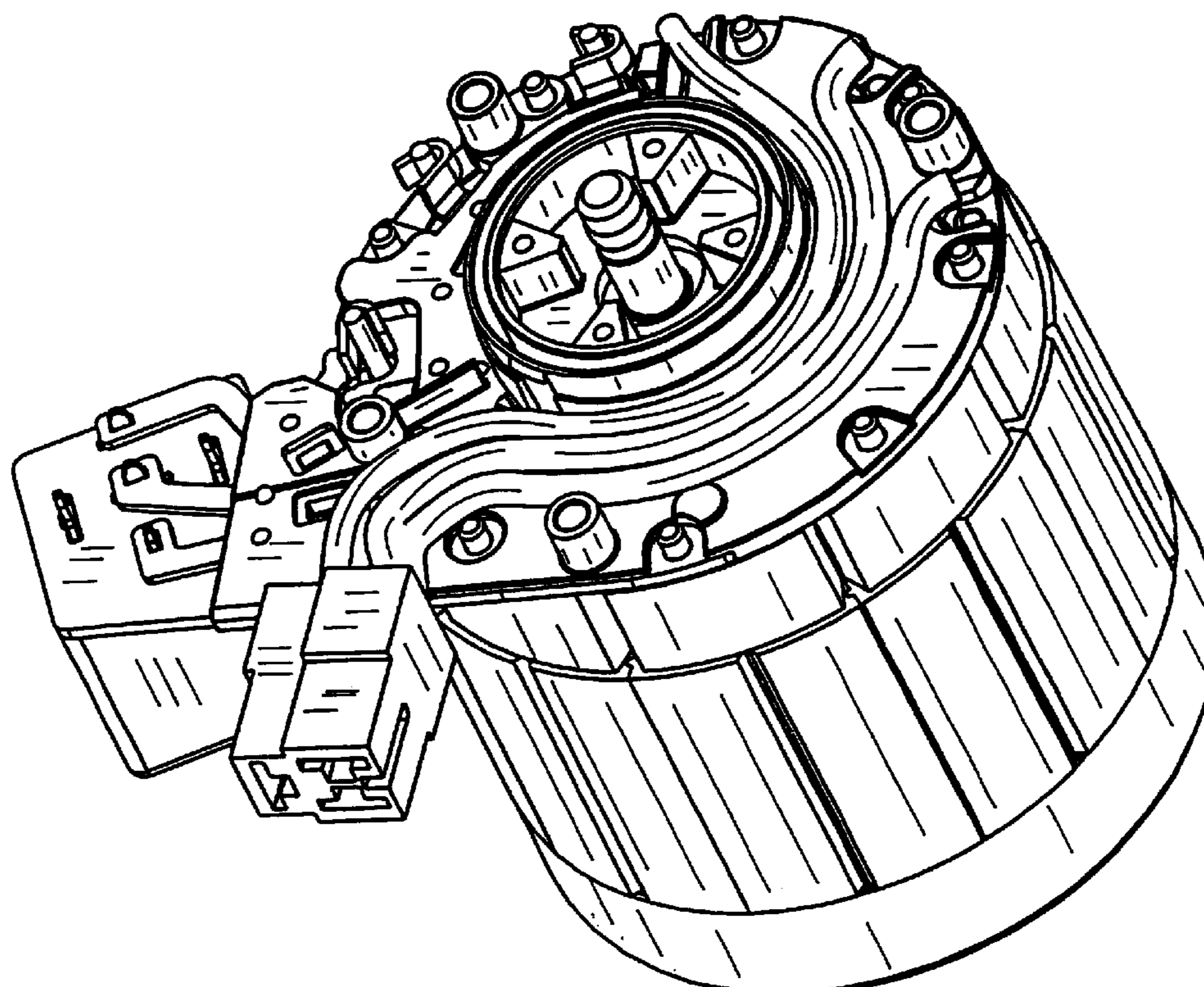
(57) **CLAIM**

The ornamental appearance of a power steering motor, as shown and described.

DESCRIPTION

FIG. 1 is a perspective view of the power steering motor; FIG. 2 is a top plan view thereof; FIG. 3 is a bottom plan view thereof; FIG. 4 is a right elevation view thereof; and, FIG. 5 is a rear elevation view thereof.

1 Claim, 5 Drawing Sheets



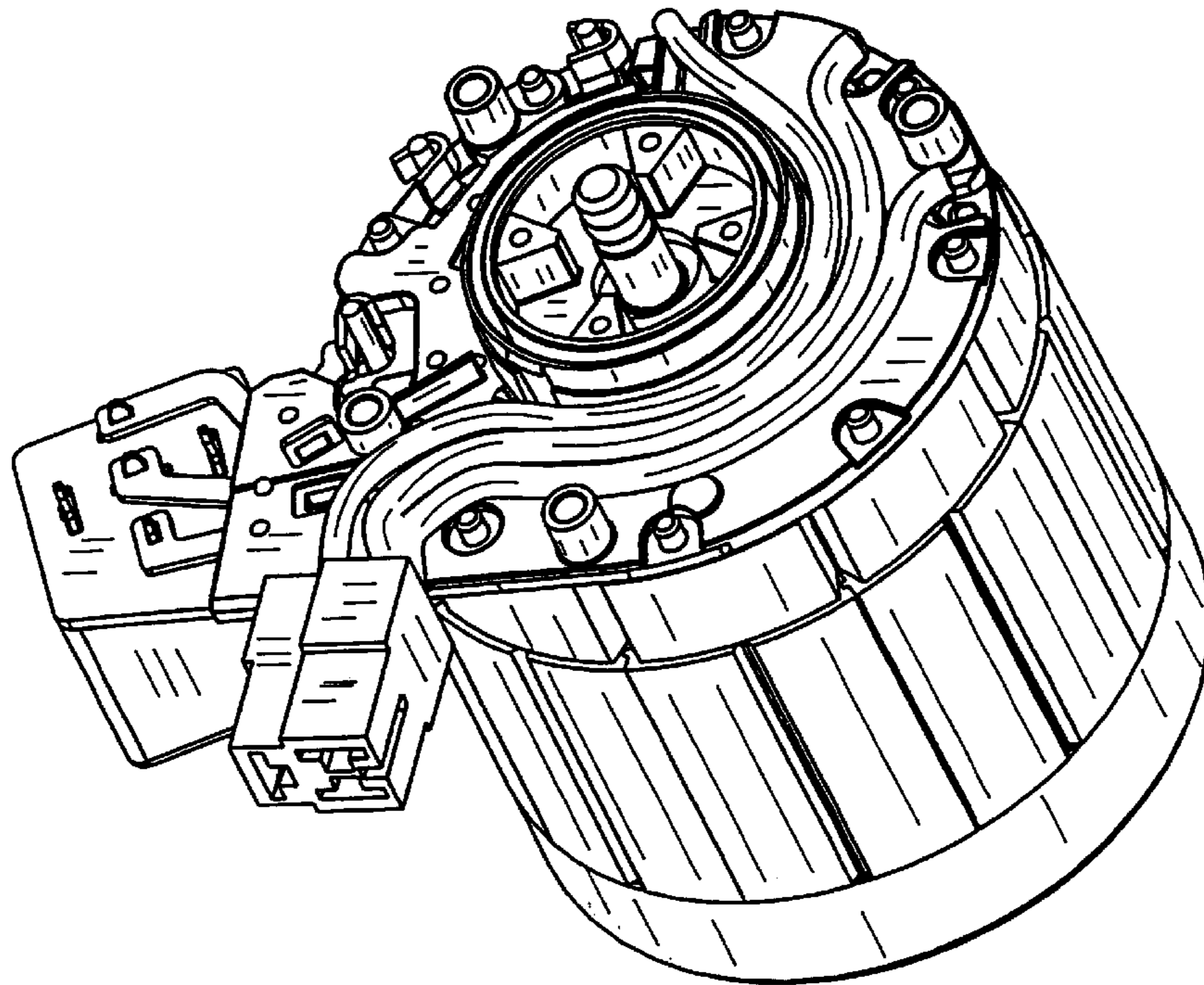


FIG. 1

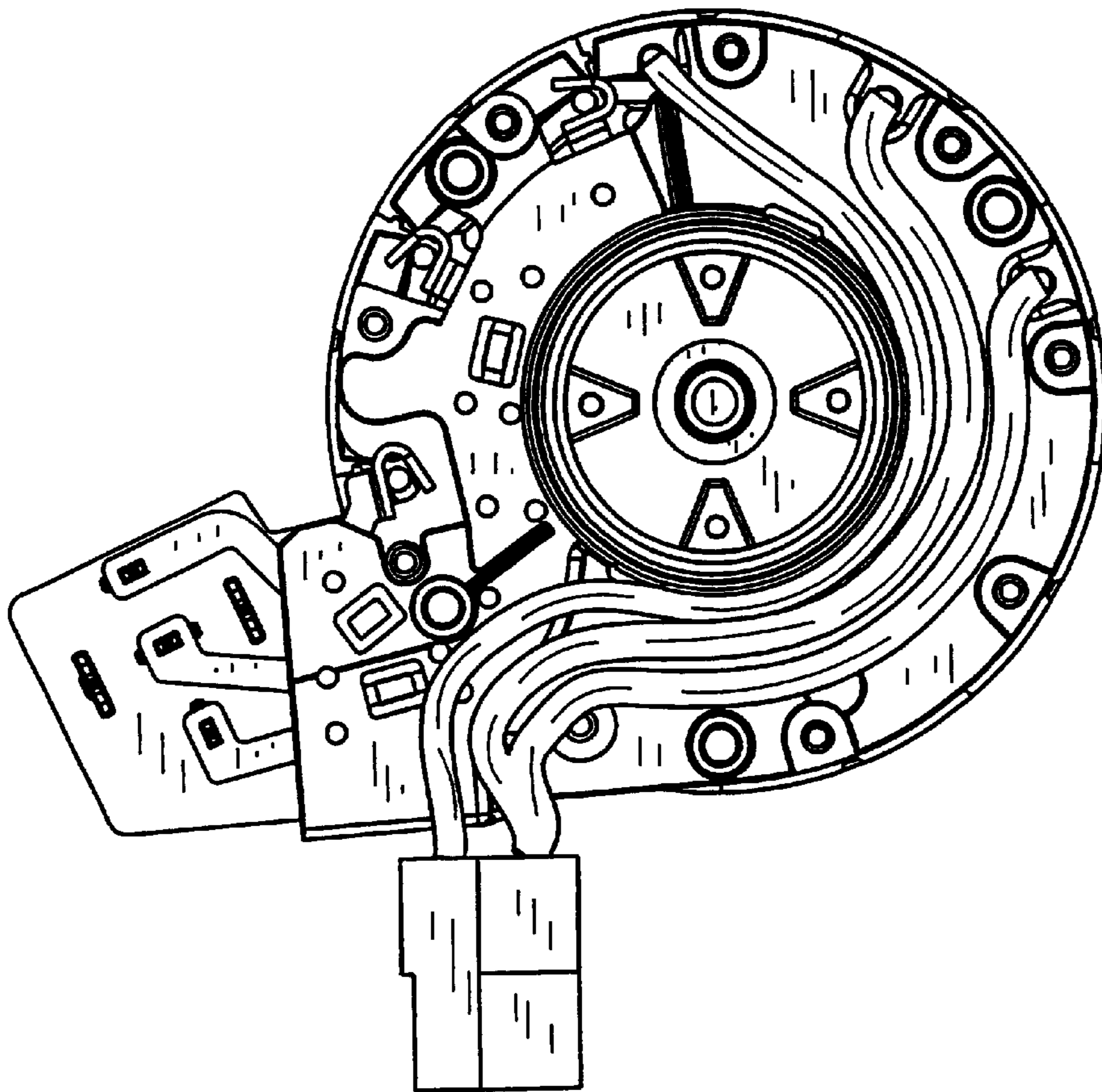


FIG. 2

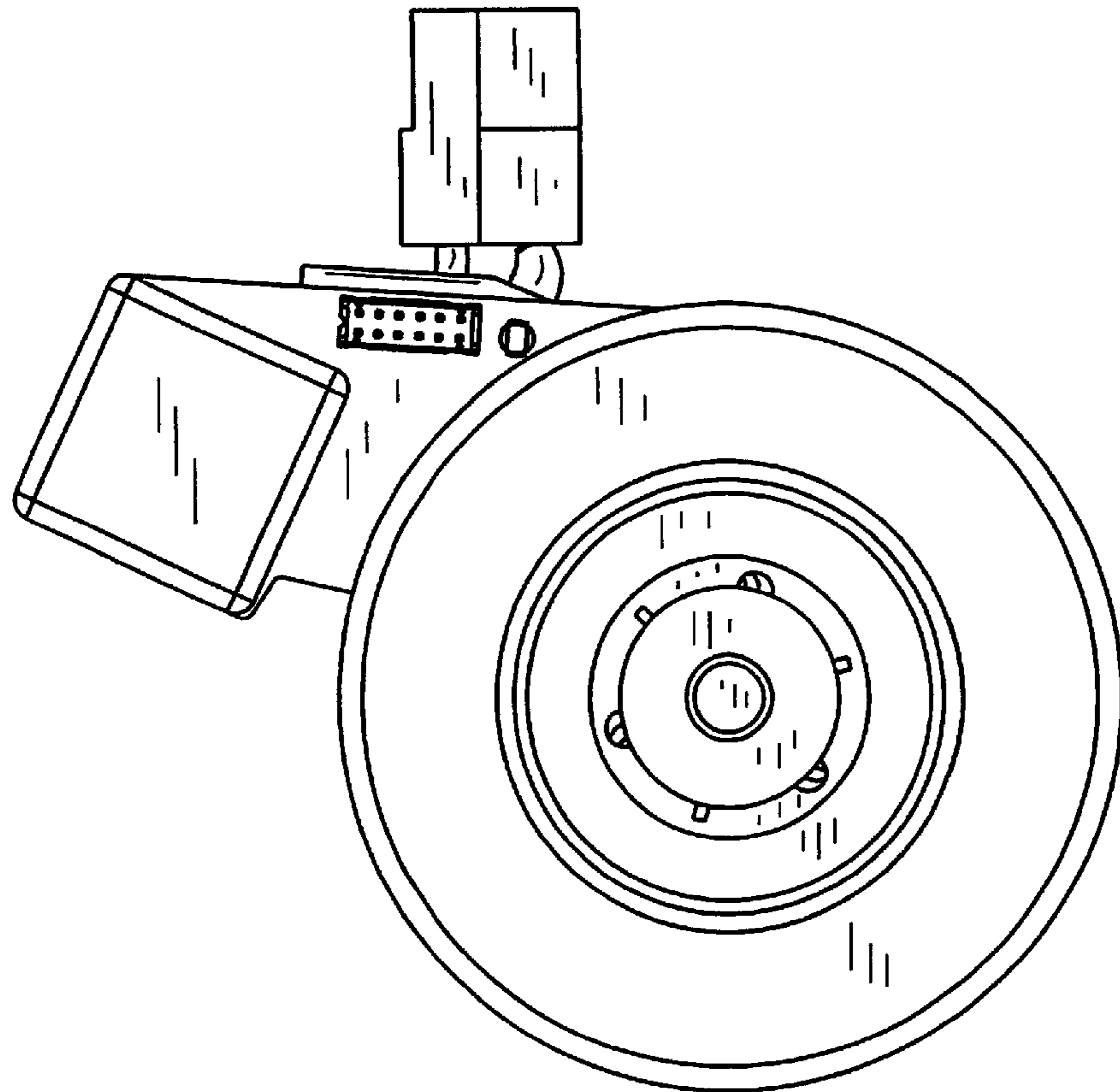


FIG. 3

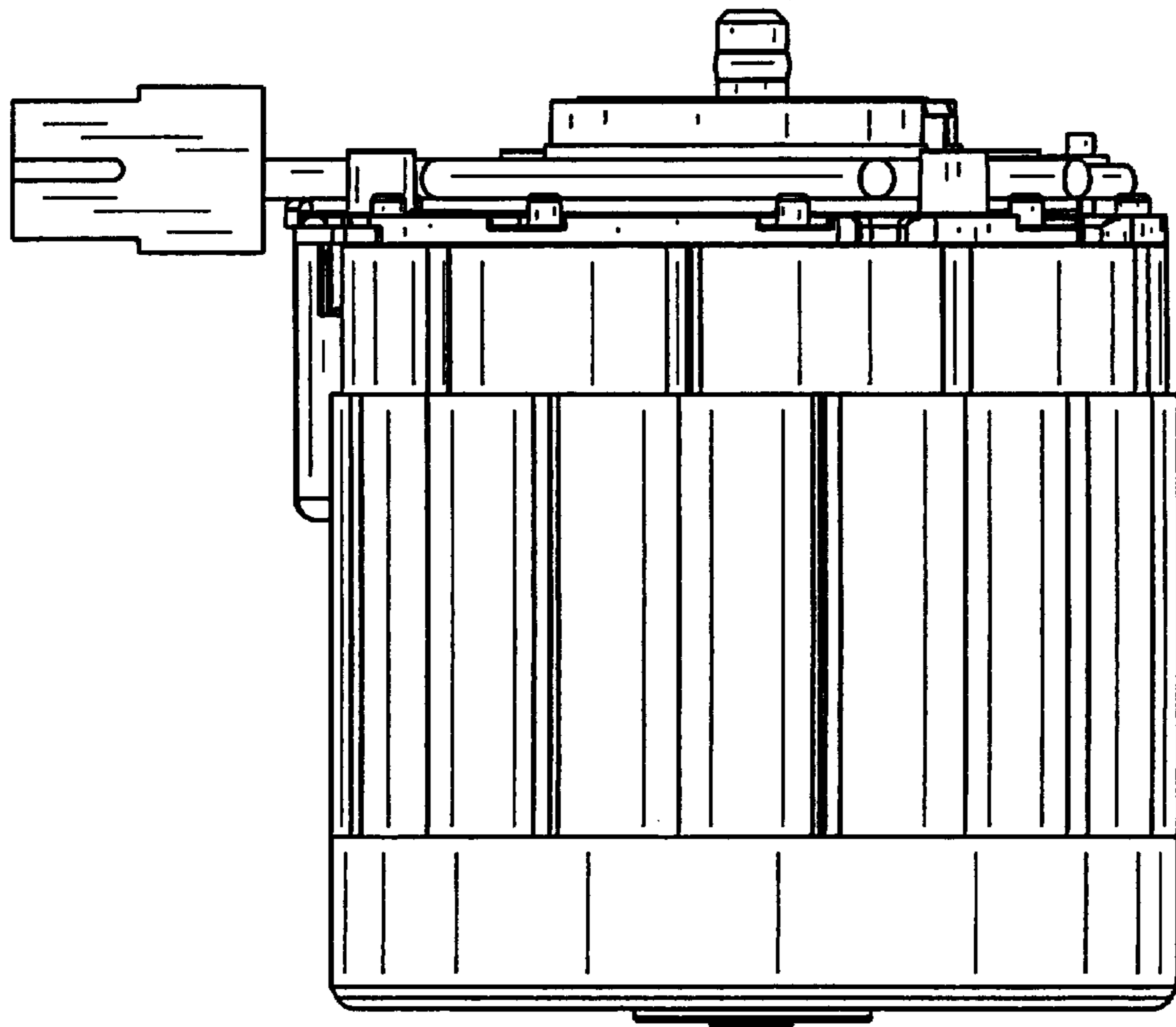


FIG. 4

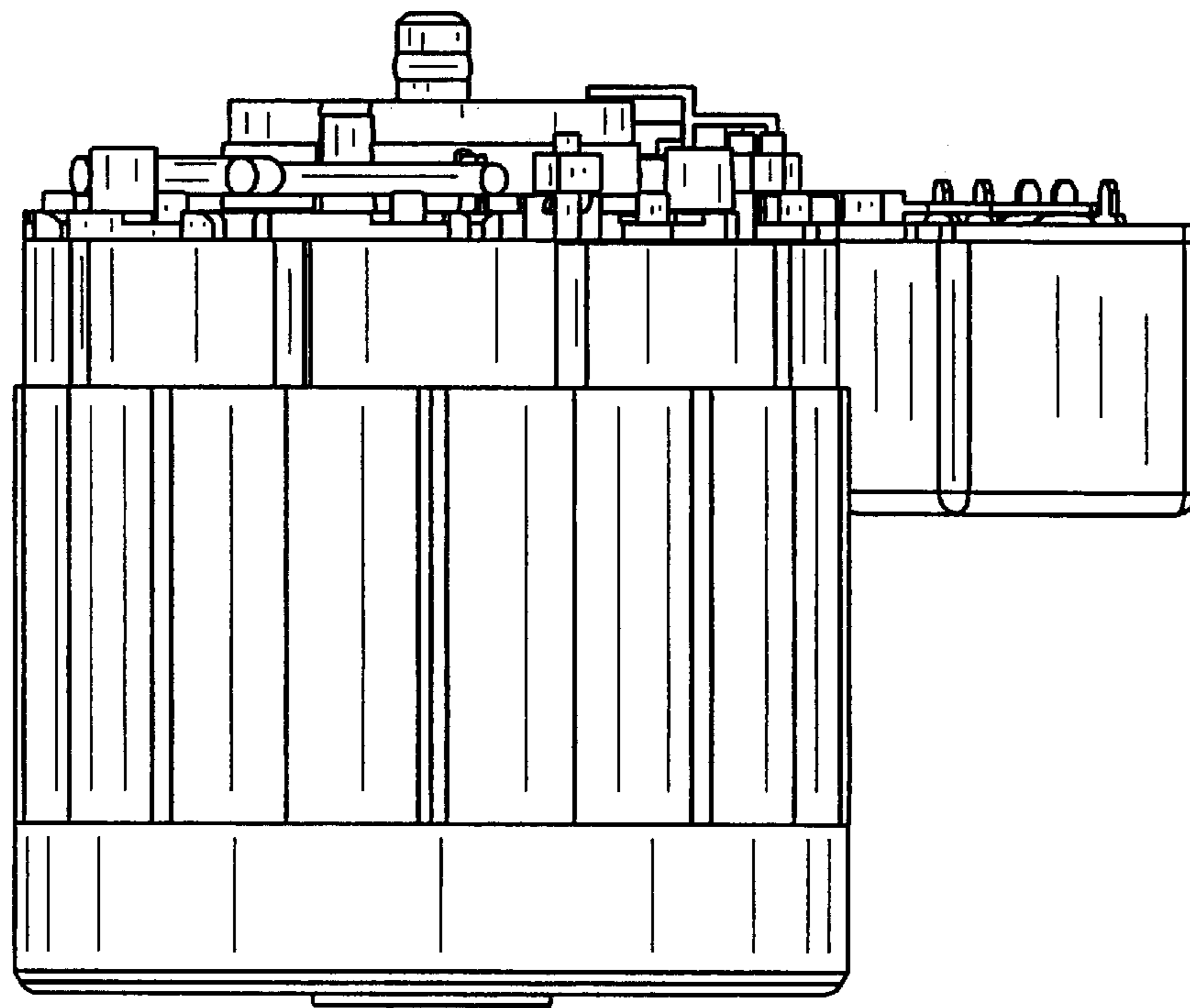


FIG. 5