



US00D527737S

(12) **United States Design Patent**
Iekura

(10) **Patent No.:** **US D527,737 S**

(45) **Date of Patent:** **** Sep. 5, 2006**

(54) **STEERING HANDLE FOR OUTBOARD MOTOR**

(75) Inventor: **Shuji Iekura**, Kyoto-fu (JP)

(73) Assignee: **Yamaha Hatsudoki Kabushiki Kaisha** (JP)

(**) Term: **14 Years**

(21) Appl. No.: **29/215,912**

(22) Filed: **Oct. 22, 2004**

(51) **LOC (8) Cl.** **15-01**

(52) **U.S. Cl.** **D15/4**

(58) **Field of Classification Search** D15/4-5;
D12/317; 440/63, 53, 44, 88, 84, 49-52,
440/59, 76-78; 74/484 R, 3-4, 6, 52-53,
74/57, 61, 495, 900; 248/640, 643; 123/495,
123/195 C; 290/43-46, 54; 114/144; 207/219
See application file for complete search history.

(56) **References Cited**

U.S. PATENT DOCUMENTS

D289,170 S	*	4/1987	Mikado et al.	D15/4
D295,867 S	*	5/1988	Walsh	D15/4
5,378,178 A	*	1/1995	Haman	440/53
5,421,755 A	*	6/1995	Kakizaki	440/63
6,083,061 A	*	7/2000	Sahounov	440/26
6,093,066 A	*	7/2000	Isogawa et al.	440/63
D452,251 S	*	12/2001	Okamoto	D15/4
D466,907 S	*	12/2002	Ohsumi	D15/4

2005/0262958 A1	*	12/2005	Kojima	74/484 R
2005/0266742 A1	*	12/2005	Kojima	440/53
2006/0003644 A1	*	1/2006	Okabe	440/63

* cited by examiner

Primary Examiner—Ian Simmons

Assistant Examiner—Maurice Stevens

(74) *Attorney, Agent, or Firm*—Ostrolenk, Faber, Gerb & Soffen, LLP

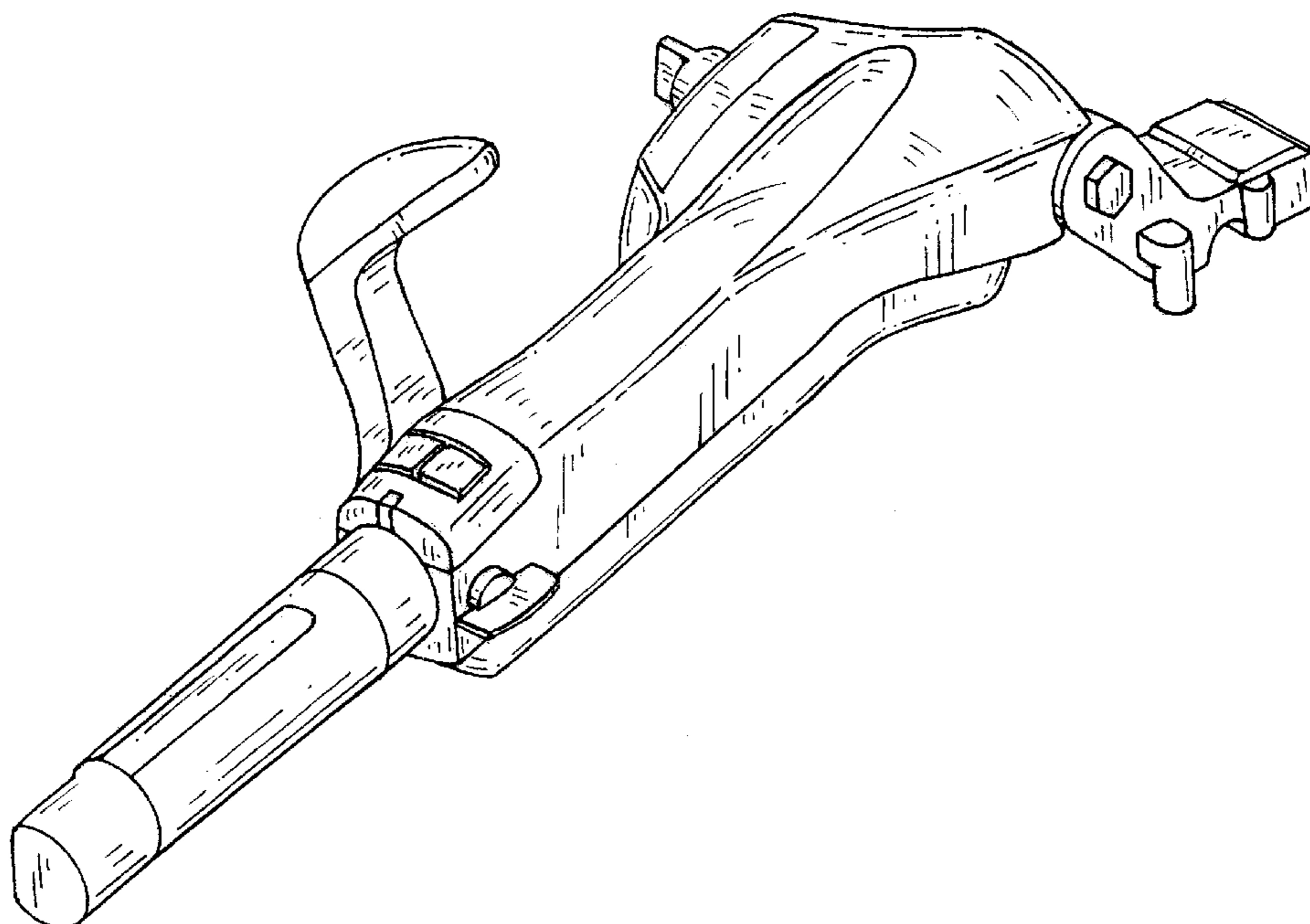
(57) **CLAIM**

The ornamental design for a steering handle for outboard motor, as shown and described.

DESCRIPTION

FIG. 1 is a rear, left side and top perspective view of a steering handle for outboard motor showing my new design FIG. 2 is a front, right side and top perspective view thereof; FIG. 3 is a right side view thereof; FIG. 4 is a left side view thereof; FIG. 5 is a top view thereof; FIG. 6 is a bottom view thereof; FIG. 7 is a rear view thereof; FIG. 8 is a front view thereof; and, FIG. 9 is a perspective view thereof, with environmental material shown in broken line. The broken line showing of a motor is environmental material for illustrative purposes only and forms no part of the claimed design.

1 Claim, 8 Drawing Sheets



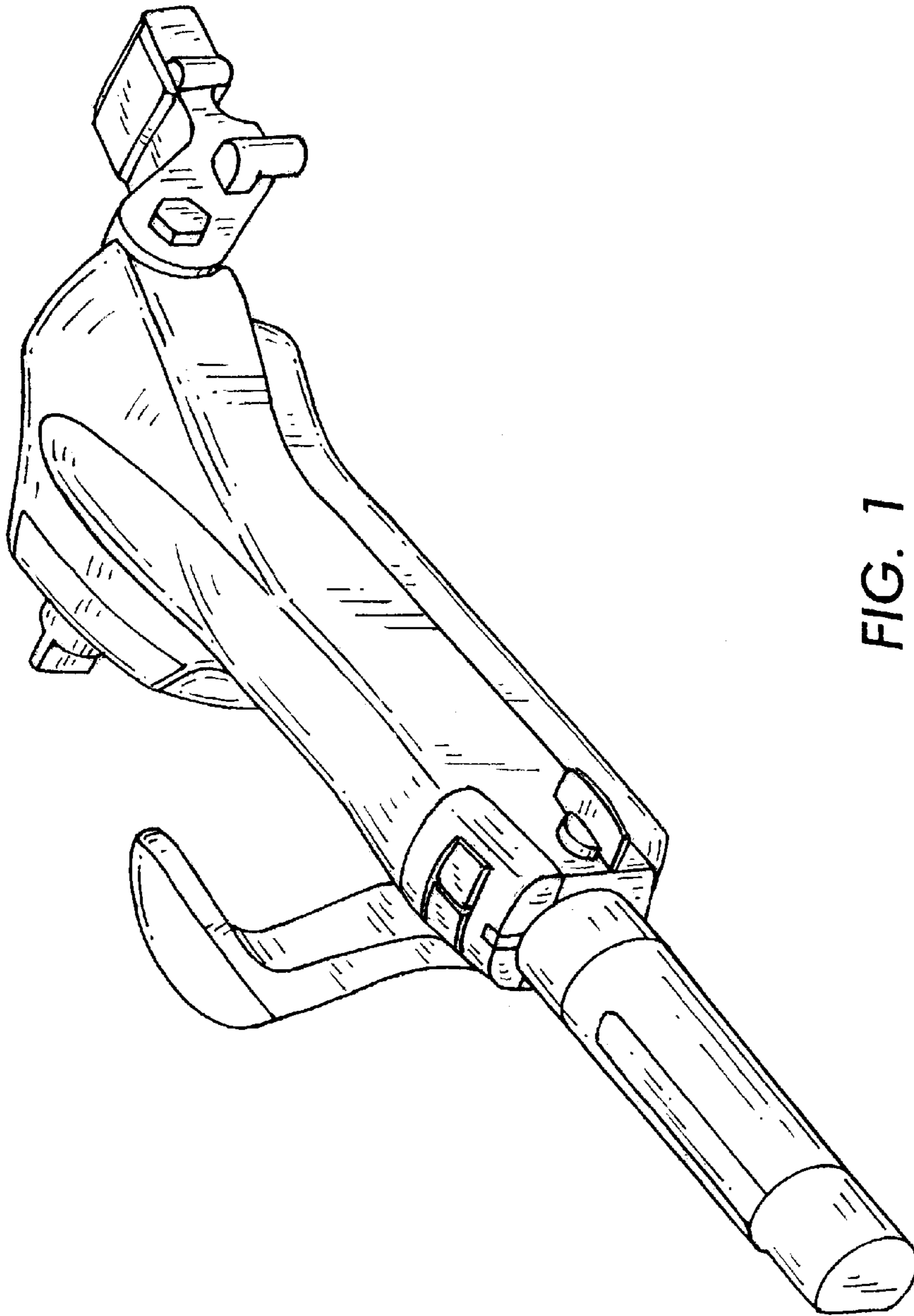


FIG. 1

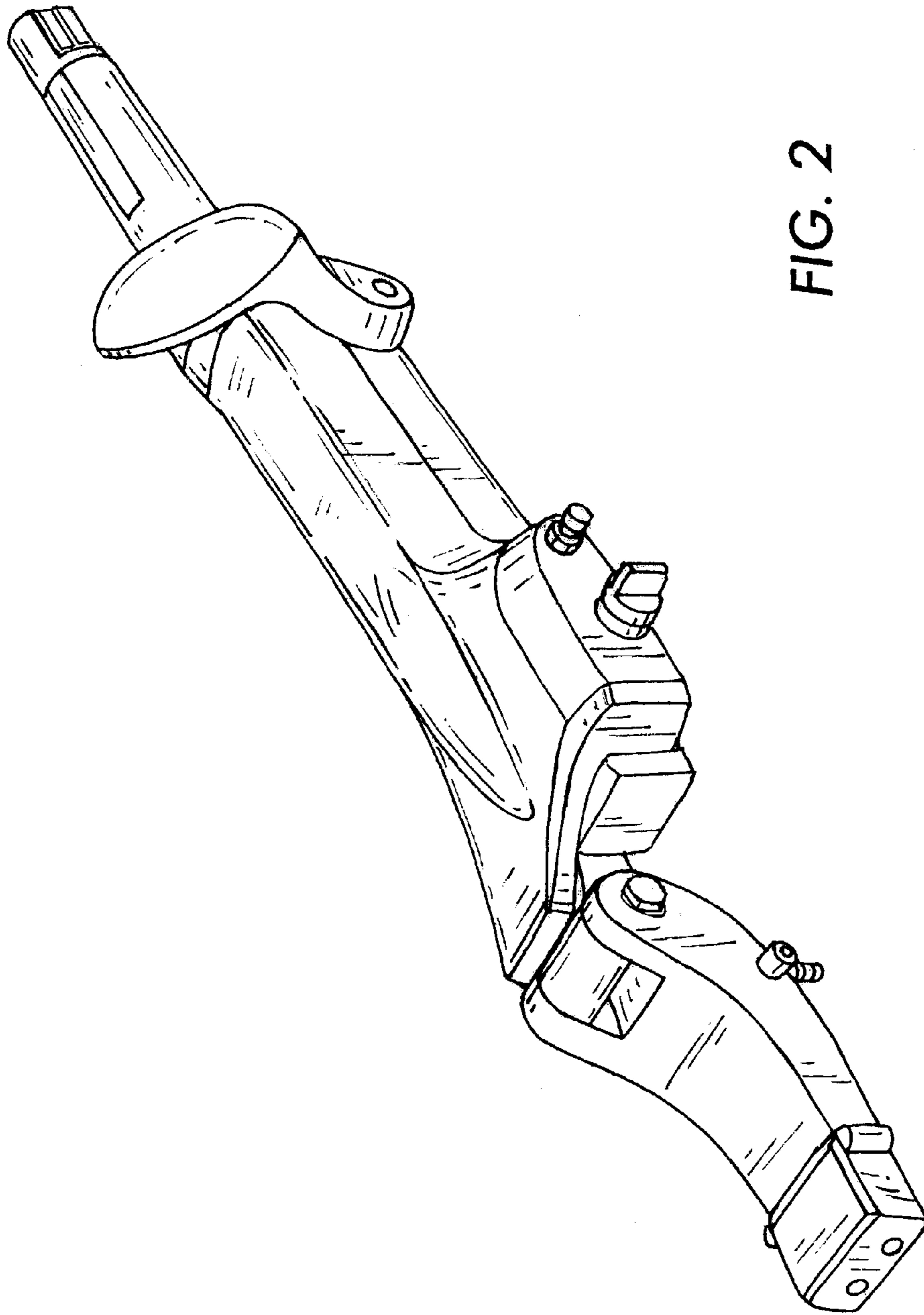


FIG. 2

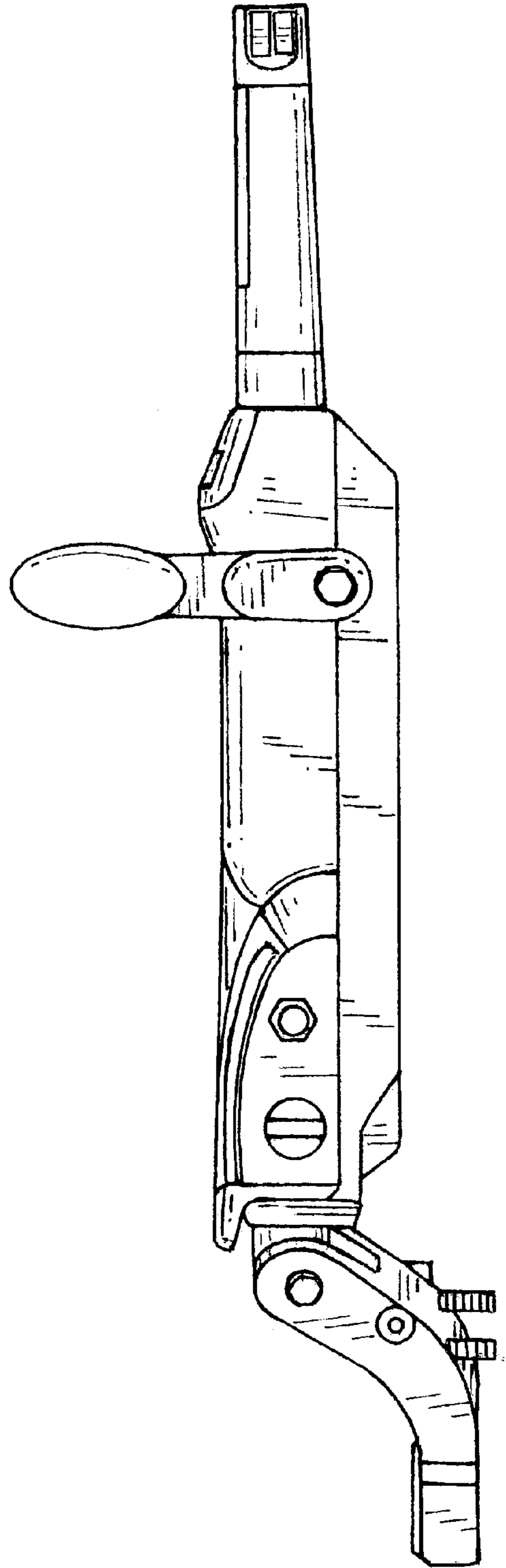


FIG. 3

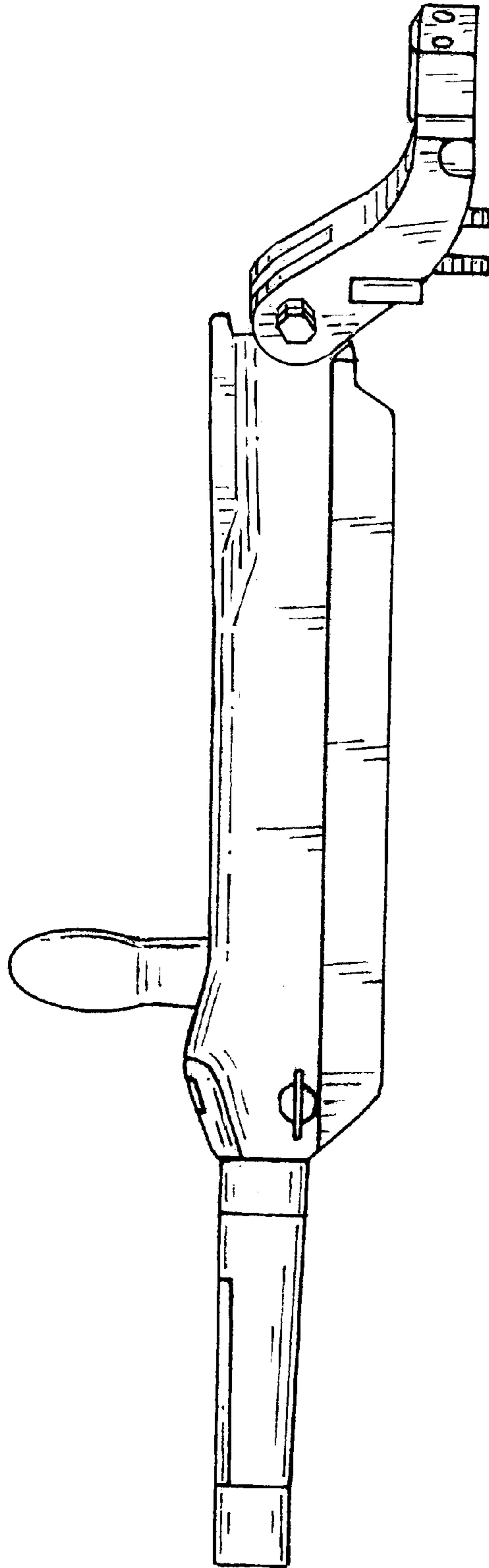


FIG. 4

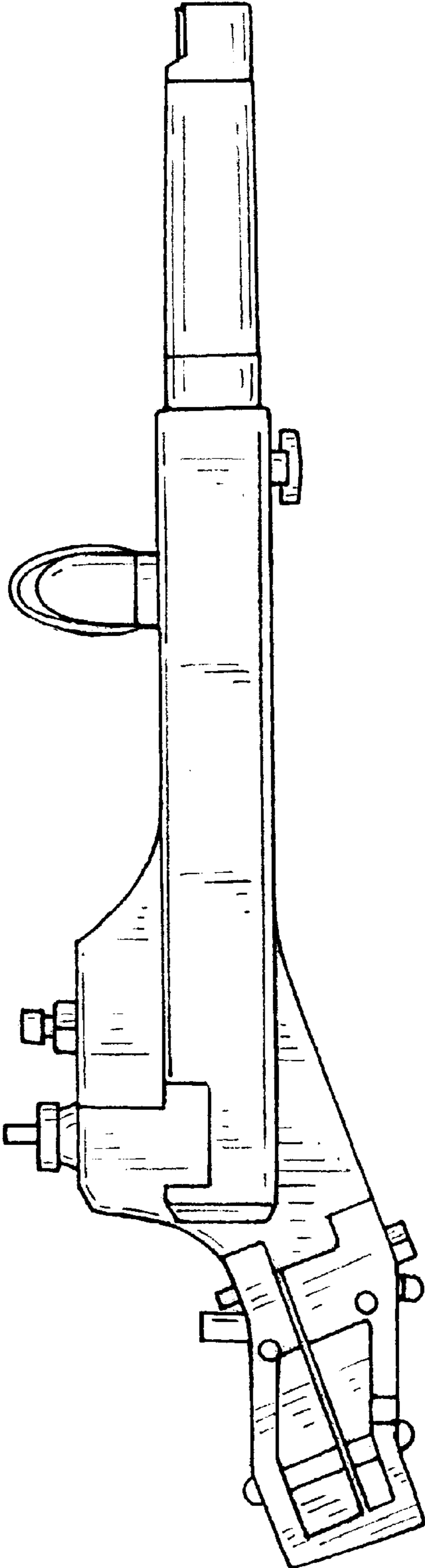


FIG. 5

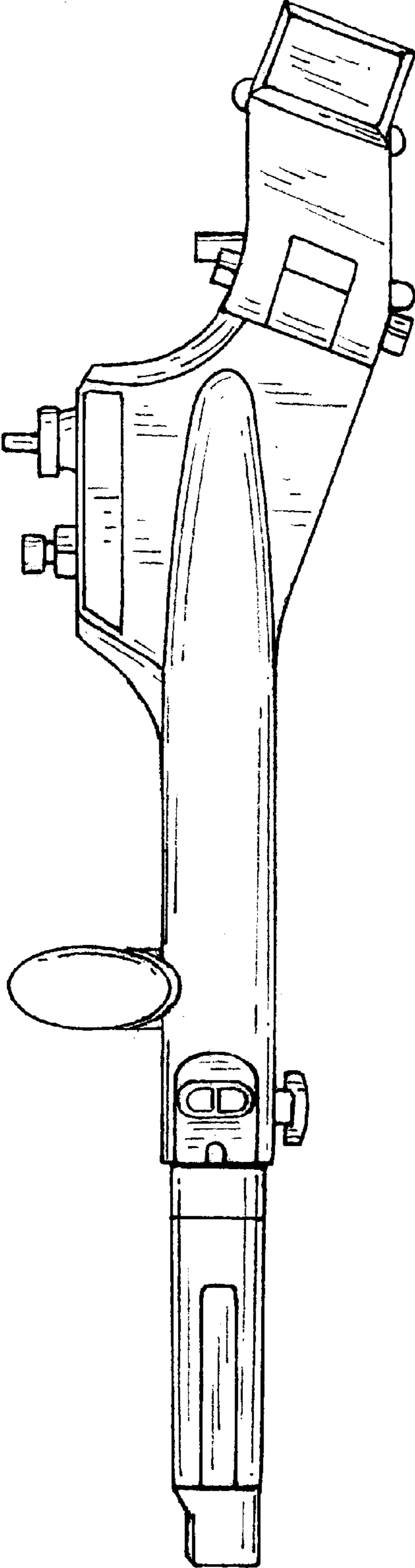


FIG. 6

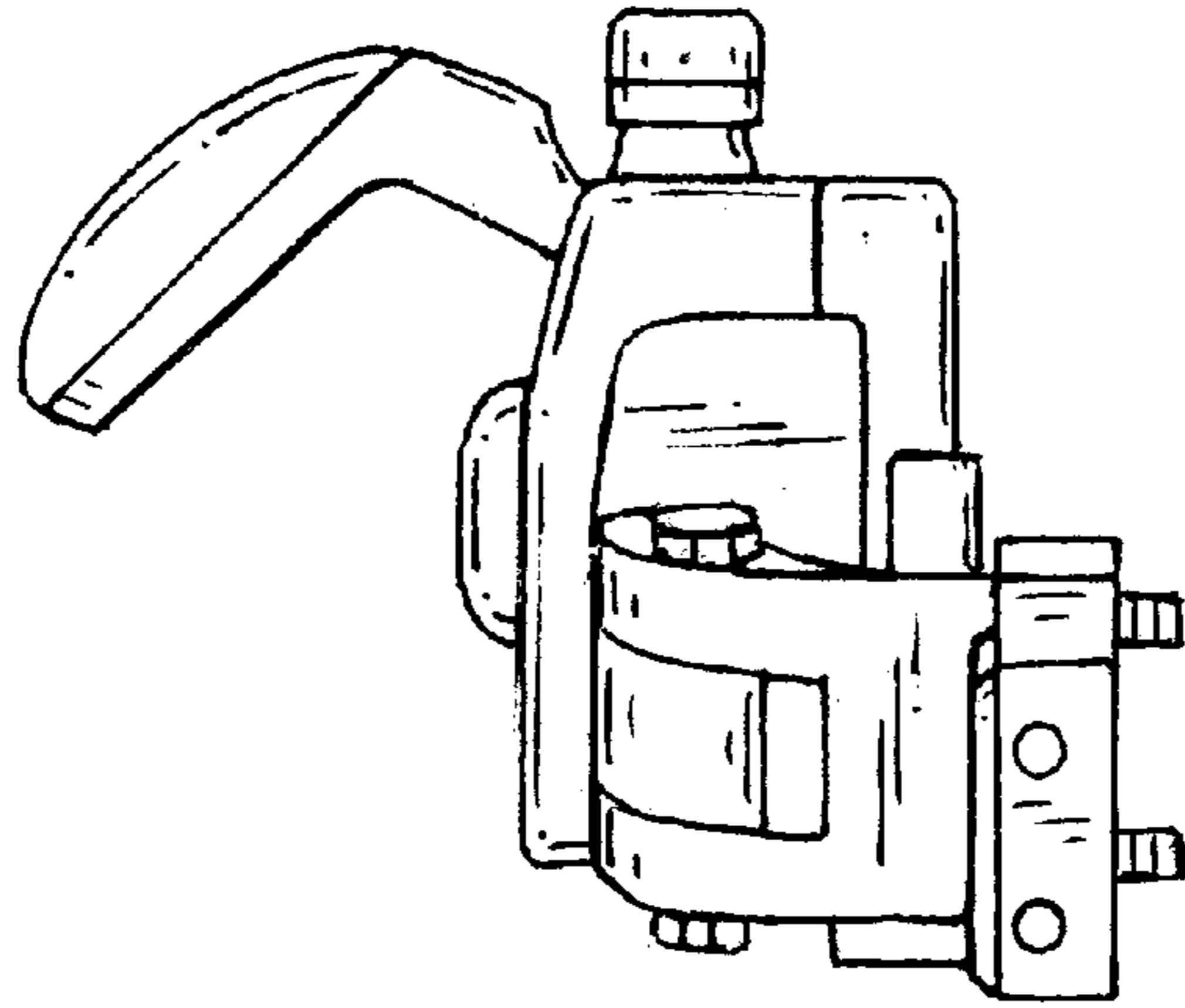


FIG. 8

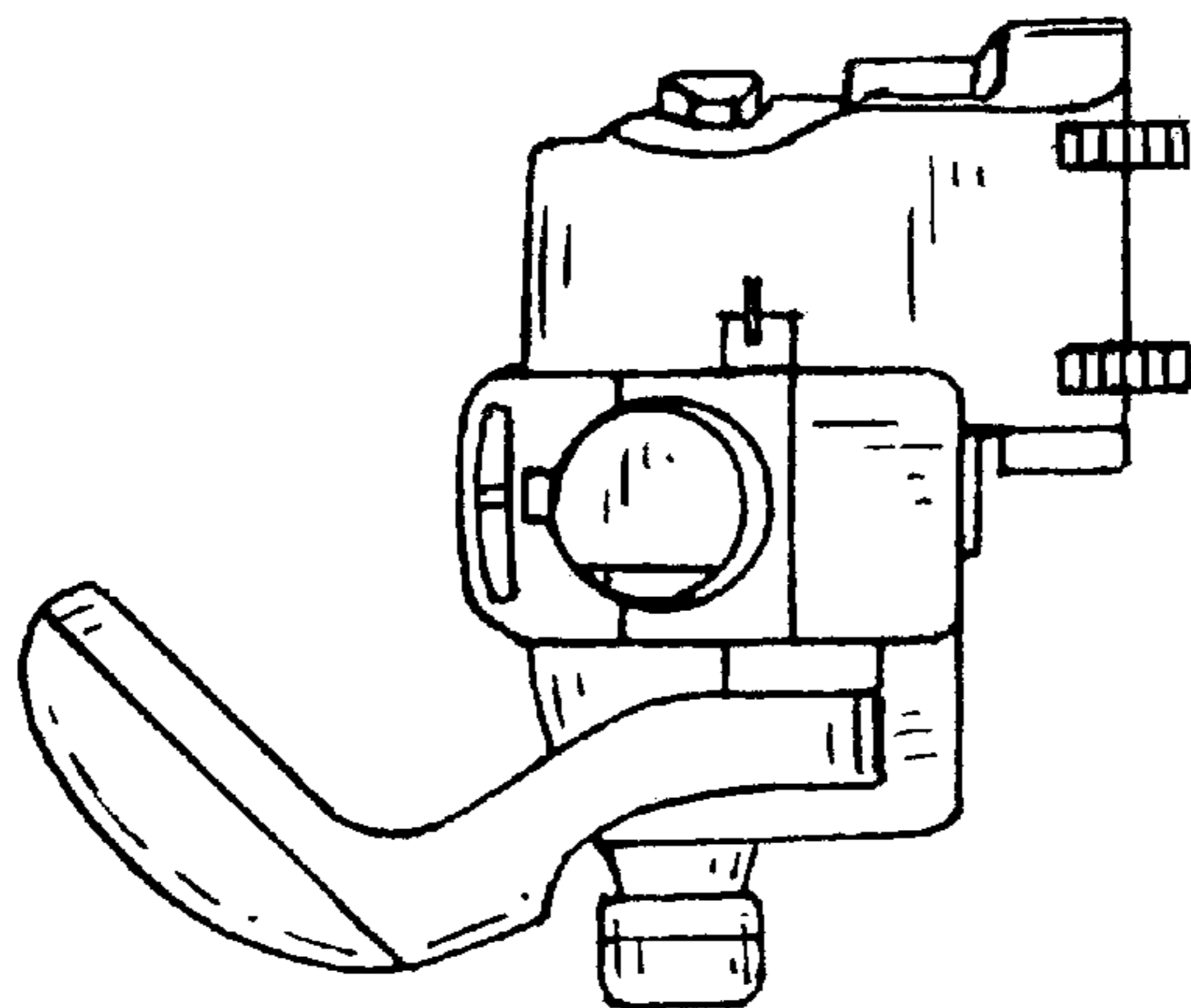


FIG. 7

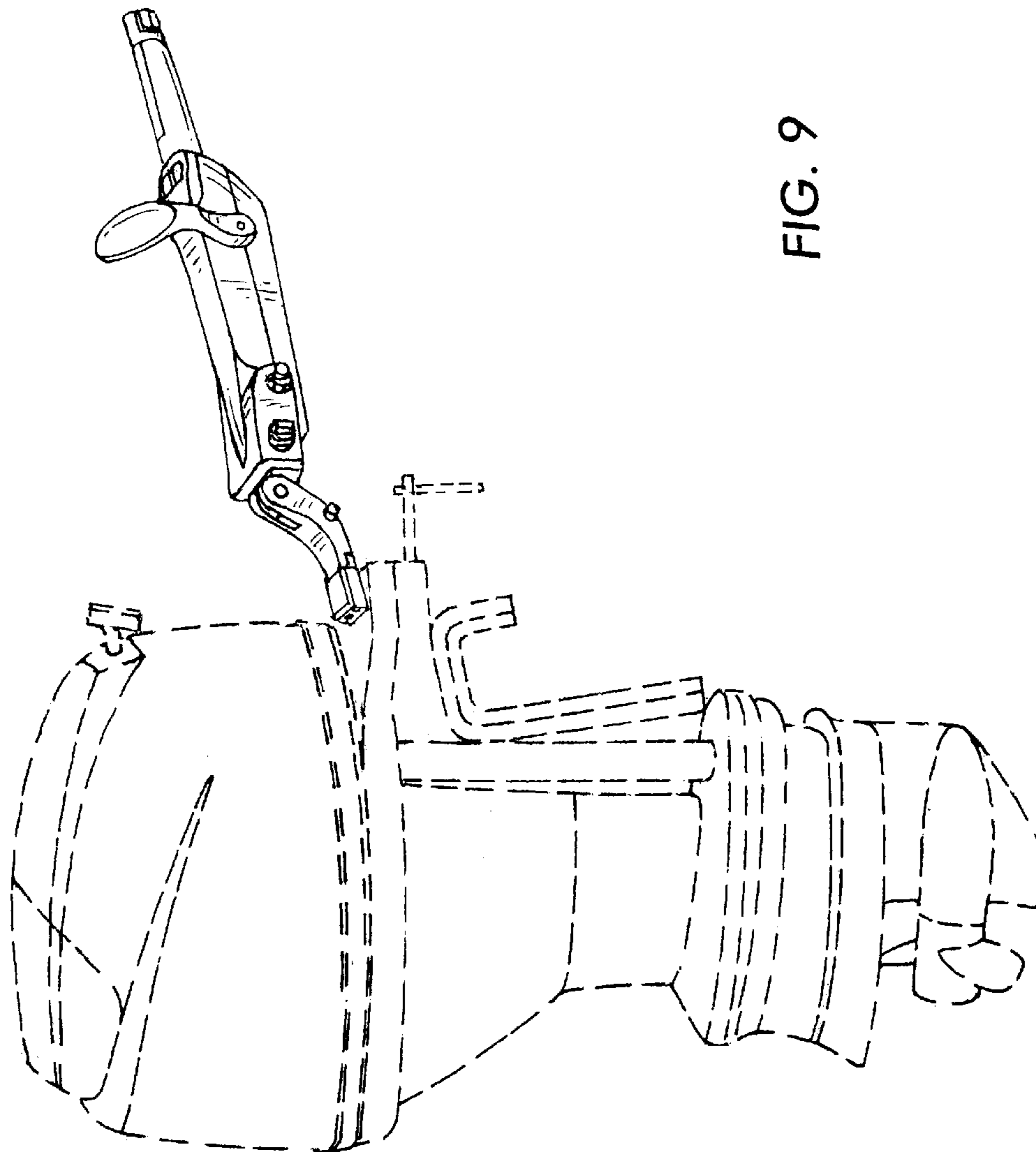


FIG. 9