

US00D527727S

(12) **United States Design Patent**
Kangasmaa

(10) **Patent No.:** **US D527,727 S**

(45) **Date of Patent:** **** Sep. 5, 2006**

(54) **TOP SHELL PORTION OF A HANDSET**

(75) Inventor: **Heikki Kangasmaa**, Helsinki (FI)

(73) Assignee: **Nokia Corporation**, Espoo (FI)

(**) Term: **14 Years**

(21) Appl. No.: **29/205,175**

(22) Filed: **May 11, 2004**

(30) **Foreign Application Priority Data**

Nov. 11, 2003 (FI) M20030265

(51) **LOC (8) Cl.** **14-03**

(52) **U.S. Cl.** **D14/248**

(58) **Field of Classification Search** D14/137,
D14/138, 147-148, 247-248, 144, 218, 341-347;
379/433.01-433.13, 434; 455/575.1, 566,
455/556.1; D21/517, 329, 331; 345/169
See application file for complete search history.

(56) **References Cited**

U.S. PATENT DOCUMENTS

D426,531 S * 6/2000 Chikaraishi et al. D14/138
D455,726 S * 4/2002 Kolinen D14/138
D474,166 S * 5/2003 Burns et al. D14/138

(Continued)

FOREIGN PATENT DOCUMENTS

EM 000030606-0001 10/2003
EM 000030606-0002 10/2003
EM 000030606-0003 10/2003
EM 000030606-0004 10/2003
EM 000030606-0005 10/2003
EM 000119649-0001 4/2004
EM 000119649-0002 4/2004
EM 000119649-0003 4/2004
EM 000119649-0004 4/2004
WO DM/059 747 5/2002
WO DM/060792 * 6/2002

WO DM/062 301 1/2003
WO DM/064 216 10/2003
WO DM/064 218 10/2003
WO DM/065507 * 5/2004

OTHER PUBLICATIONS

<http://www.mobiletechnews.com>, Sporty Nokia 5140i,
posted Apr. 26, 2005.*

Primary Examiner—Jeffrey Asch

(74) *Attorney, Agent, or Firm*—Banner & Witcoff, Ltd.

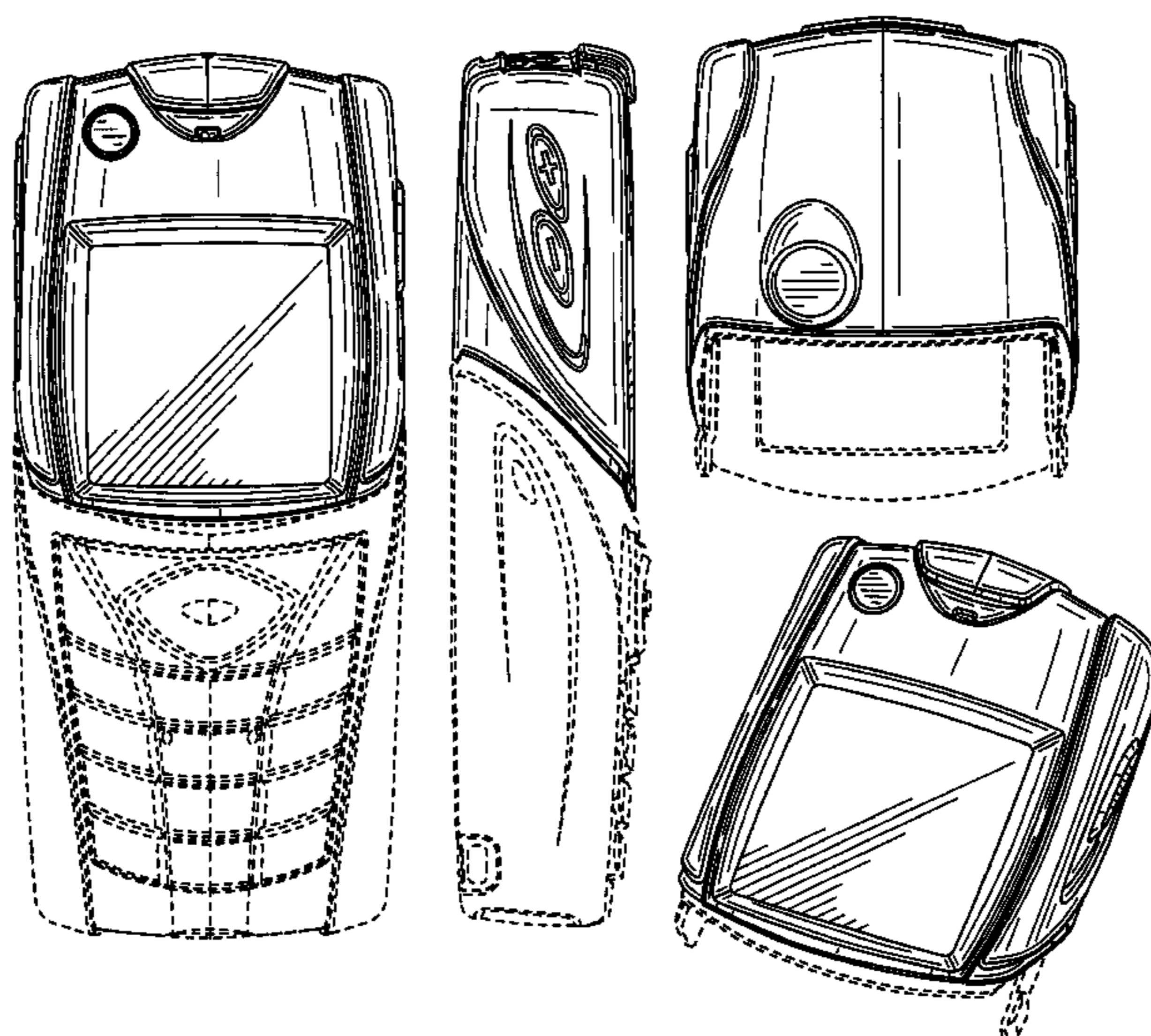
(57) **CLAIM**

The ornamental design for a top shell portion of a handset,
as shown and described.

DESCRIPTION

FIG. 1 is a right side view of a first embodiment of a top shell portion of a handset showing my new design with a disclaimed reminder of a handset for illustrative purposes; FIG. 2 is a front view thereof; FIG. 3 is a left side view thereof; FIG. 4 is a top plan view thereof; FIG. 5 is a rear view thereof; FIG. 6 is a perspective front view thereof; FIG. 7 is a perspective rear view thereof; FIG. 8 is a top plan view of a second embodiment of a top shell portion of a handset showing my new design illustrating a top shell of a handset in isolation; FIG. 9 is right side view thereof; FIG. 10 is a front view thereof; FIG. 11 is a left side view thereof; FIG. 12 is a rear view thereof; FIG. 13 is a perspective front view thereof; and, FIG. 14 is a perspective rear view thereof. The broken lines shown in the FIGS. 1-7 showing the remainder of the handset and the broken lines illustrations in FIGS. 8-14 of the inside surfaces and extending tabs of the top shell of the handset is for illustrative purposes only and forms no part of the claimed design.

1 Claim, 5 Drawing Sheets



U.S. PATENT DOCUMENTS

D475,034 S	*	5/2003	Arbisi et al.	D14/138	D498,733 S	*	11/2004	Majanen	D14/138
D476,300 S	*	6/2003	Pottie et al.	D14/138	D498,752 S		11/2004	Kagami et al.	
D476,634 S	*	7/2003	Lehtonen	D14/138	D500,749 S	*	1/2005	Kim	D14/138
D477,594 S	*	7/2003	Lehtonen	D14/248	D501,002 S	*	1/2005	Kolinen	D14/248
D479,216 S	*	9/2003	Ho-Cheun et al.	D14/138	D502,157 S	*	2/2005	Kim et al.	D14/138
D484,108 S	*	12/2003	Majanen	D14/138	D502,455 S	*	3/2005	Brandis et al.	D14/138
D484,477 S	*	12/2003	Salmi	D14/138	D502,933 S	*	3/2005	Munstermann	D14/138
D485,247 S	*	1/2004	Wang et al.	D14/138	D503,162 S	*	3/2005	Kagami et al.	D14/138
D487,066 S	*	2/2004	Gartrell et al.	D14/138	D504,879 S	*	5/2005	Moss	D14/138
D491,544 S	*	6/2004	Kolinen	D14/138	D505,934 S	*	6/2005	Gonser	D14/138
6,751,473 B1	*	6/2004	Goyal et al.	455/556.1	D506,191 S	*	6/2005	Majanen	D14/138
D494,559 S	*	8/2004	Fuxen	D14/138	2002/0193136 A1	*	12/2002	Halkosaari et al.	455/550
D494,561 S		8/2004	Kagami et al.		2004/0180703 A1	*	9/2004	Kim et al.	455/575.1
D494,949 S	*	8/2004	Arnholt et al.	D14/138	2005/0054397 A1	*	3/2005	Kim et al.	455/575.4
D495,687 S		9/2004	Arbisi						

* cited by examiner

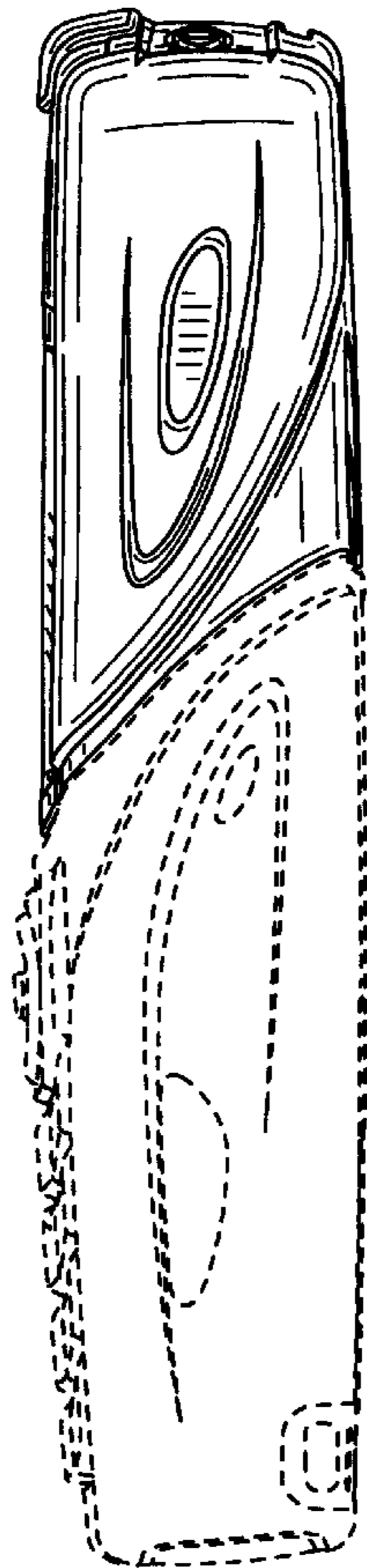


FIG. 1

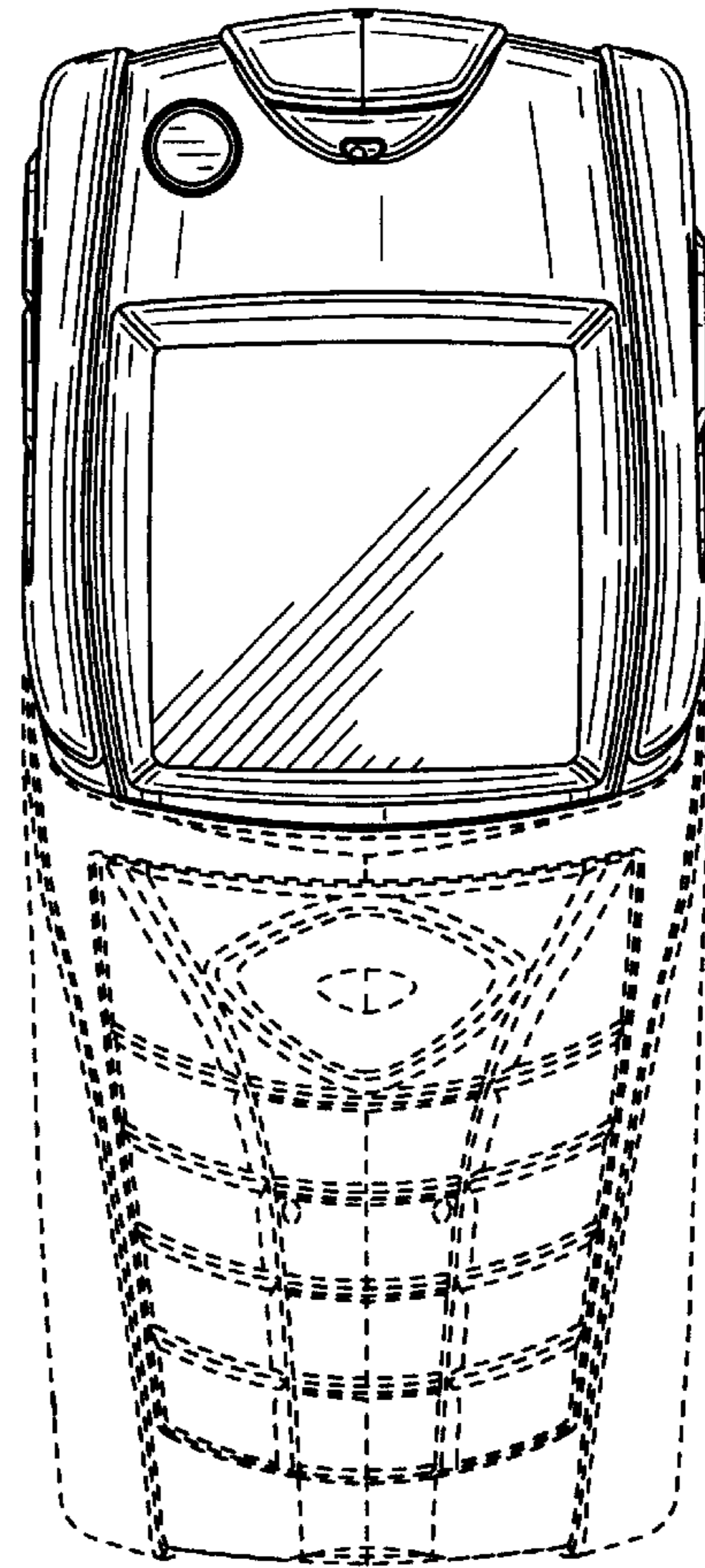


FIG. 2

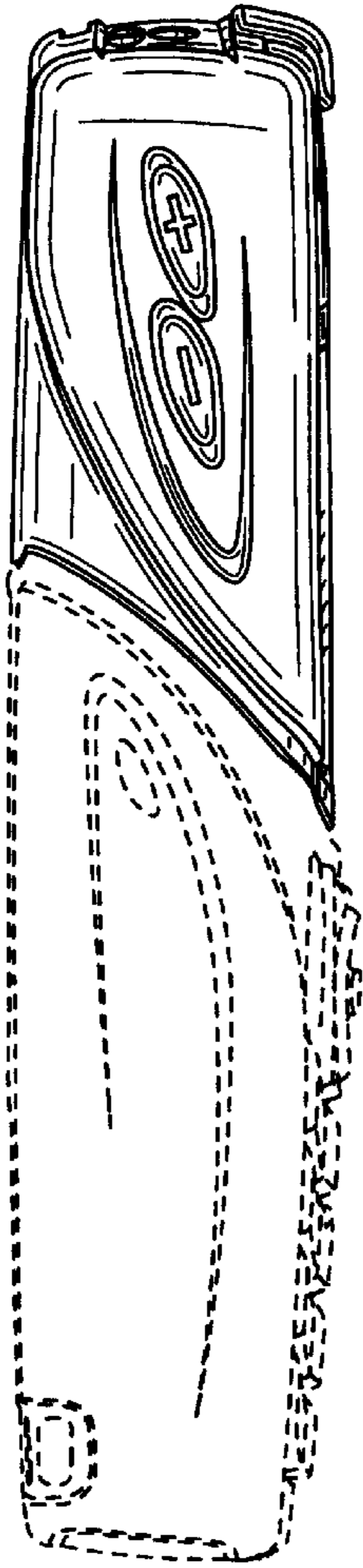


FIG. 3

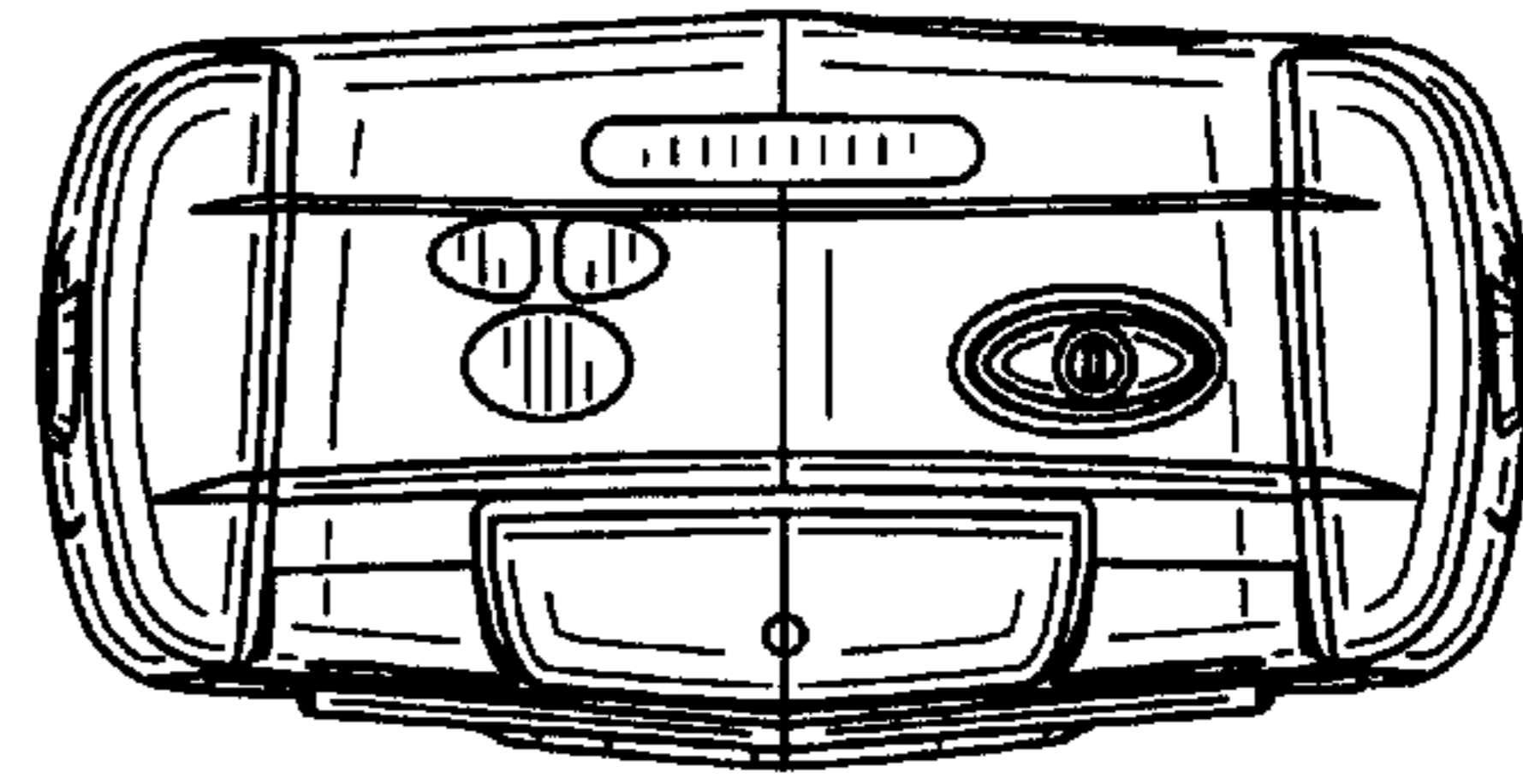


FIG. 4

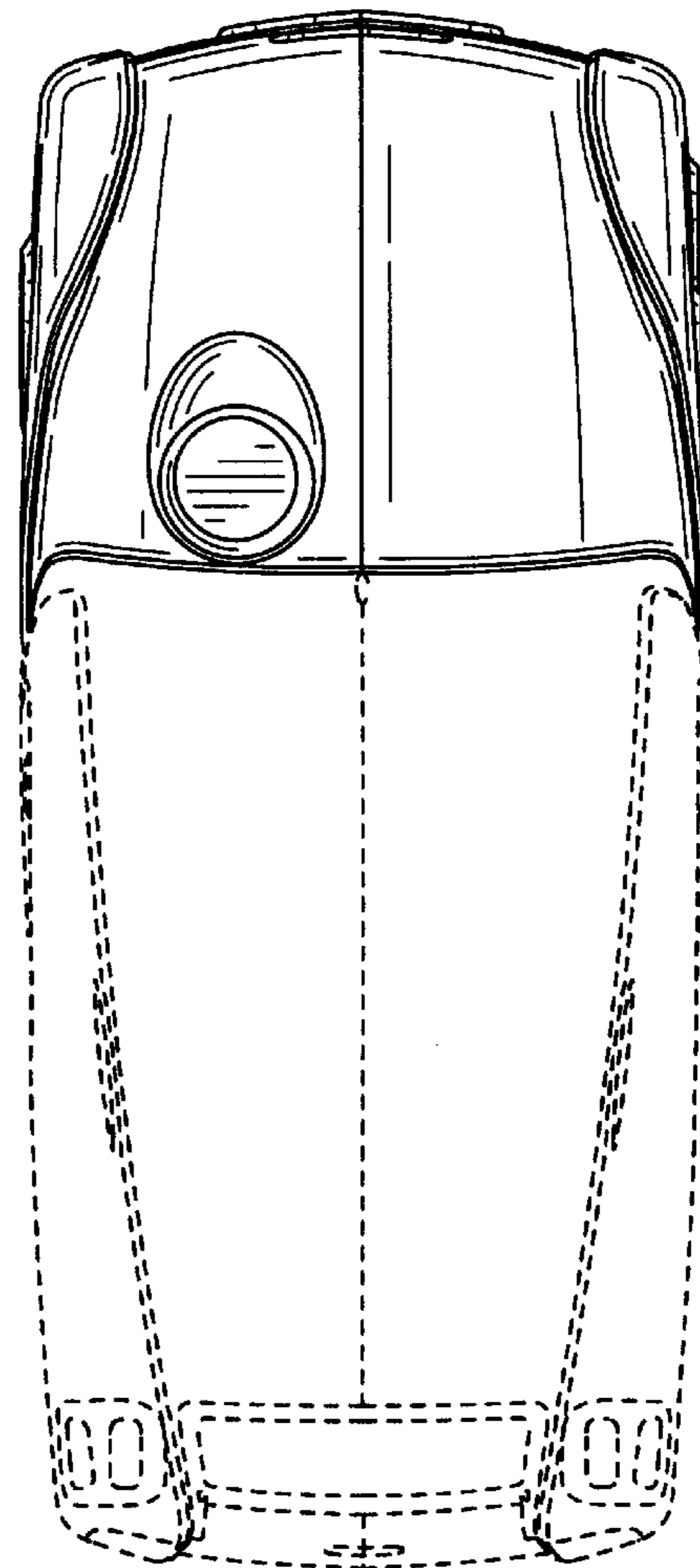


FIG. 5

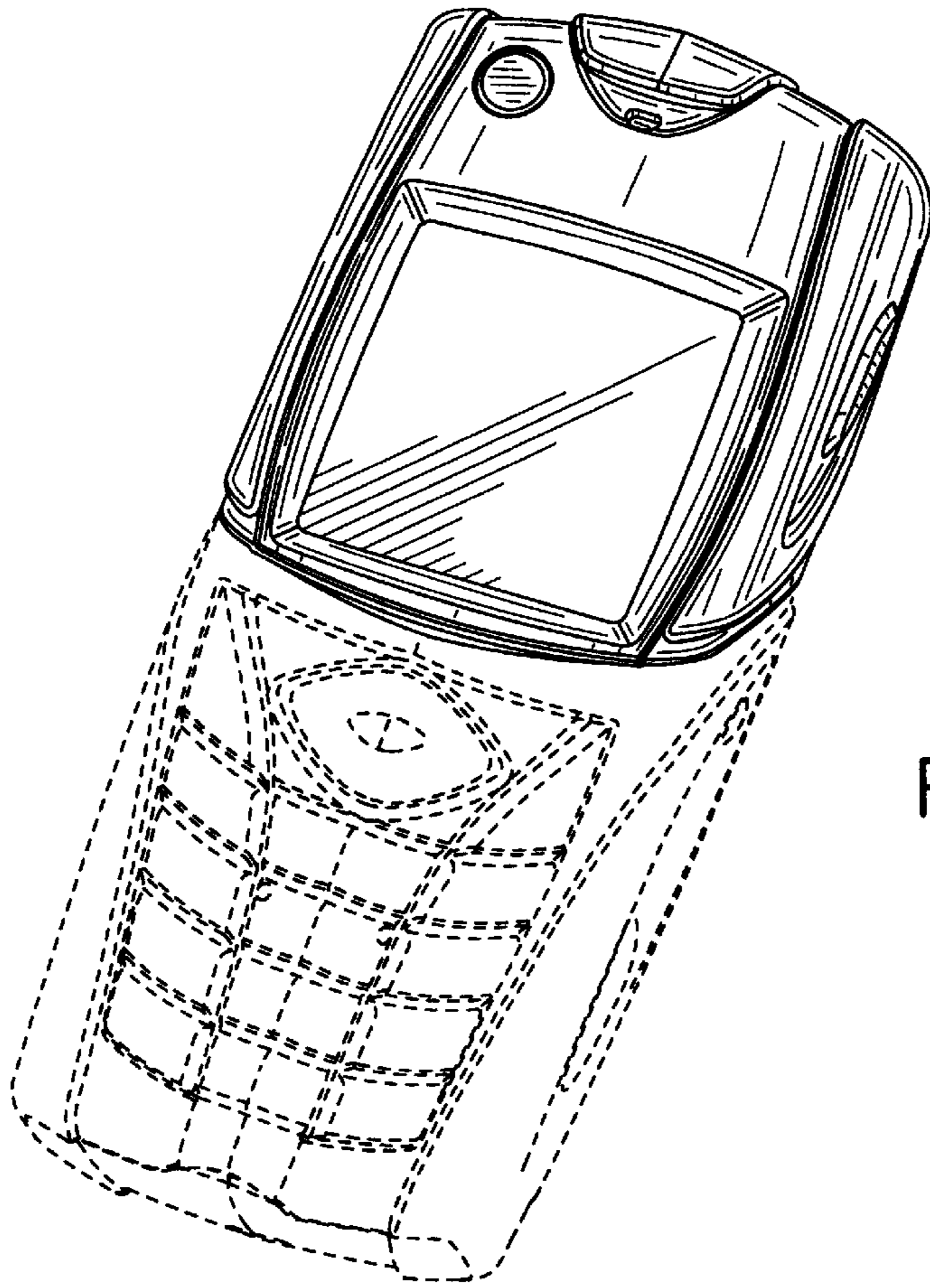
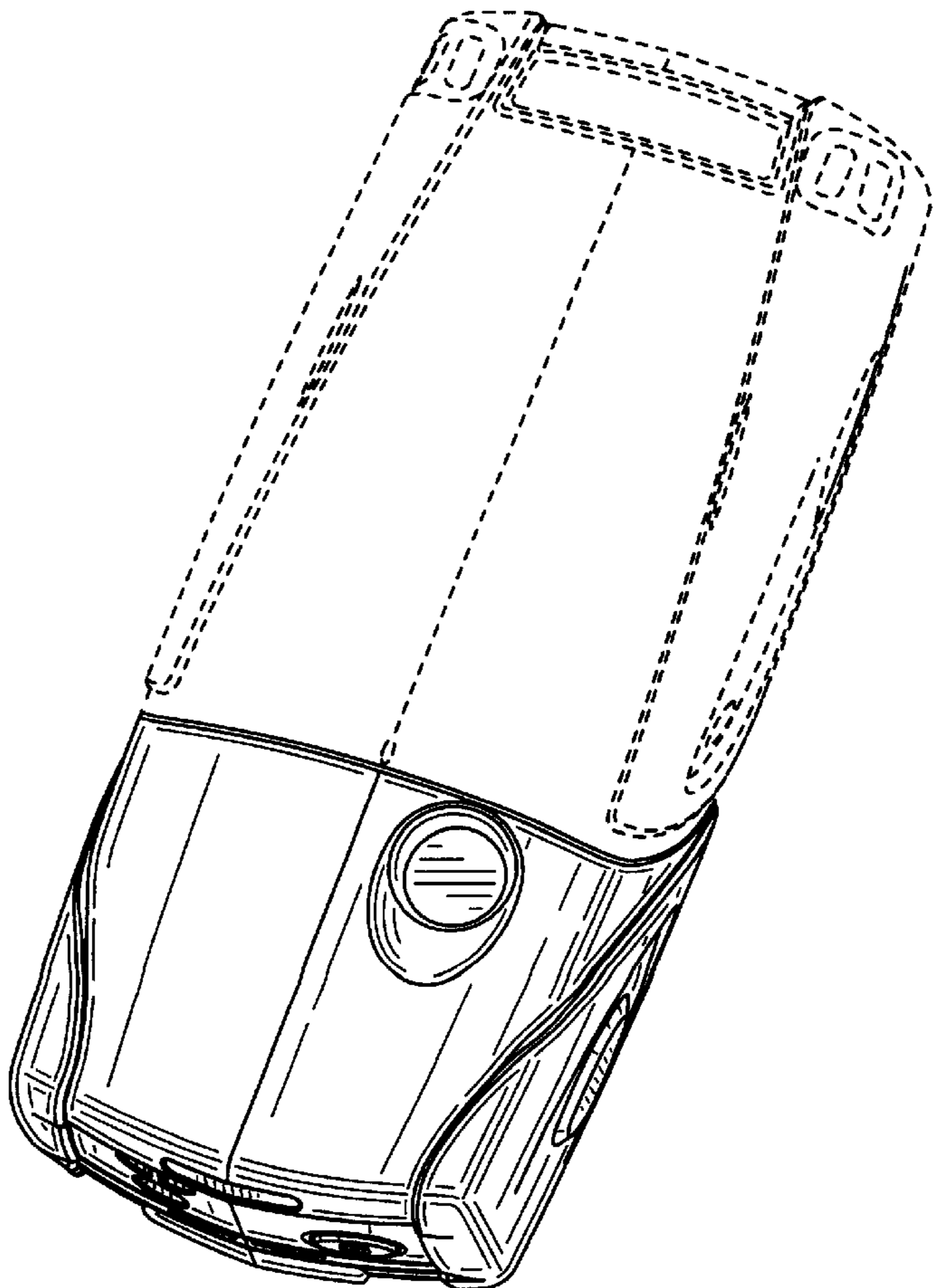


FIG. 6

FIG. 7



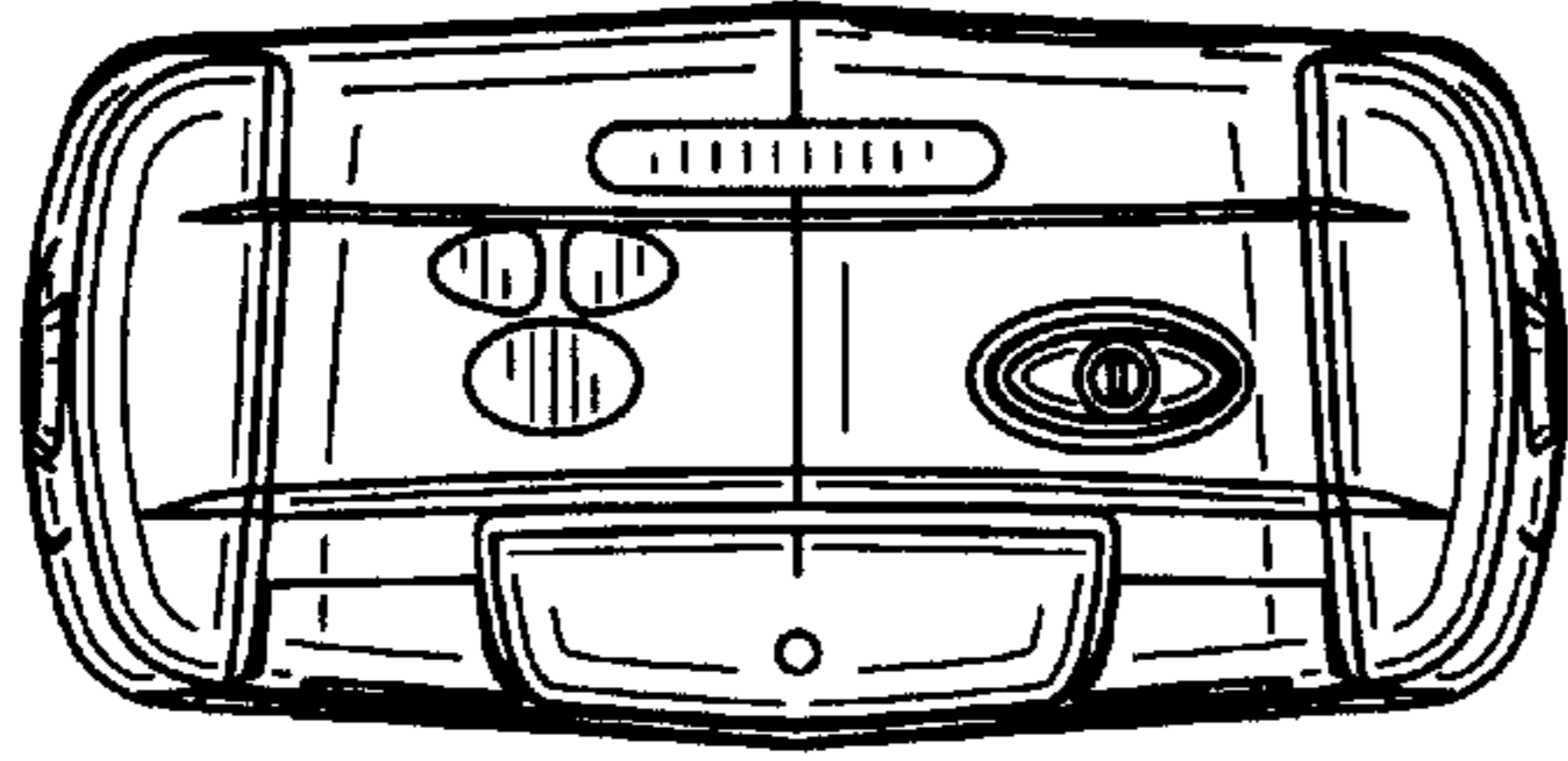


FIG. 8

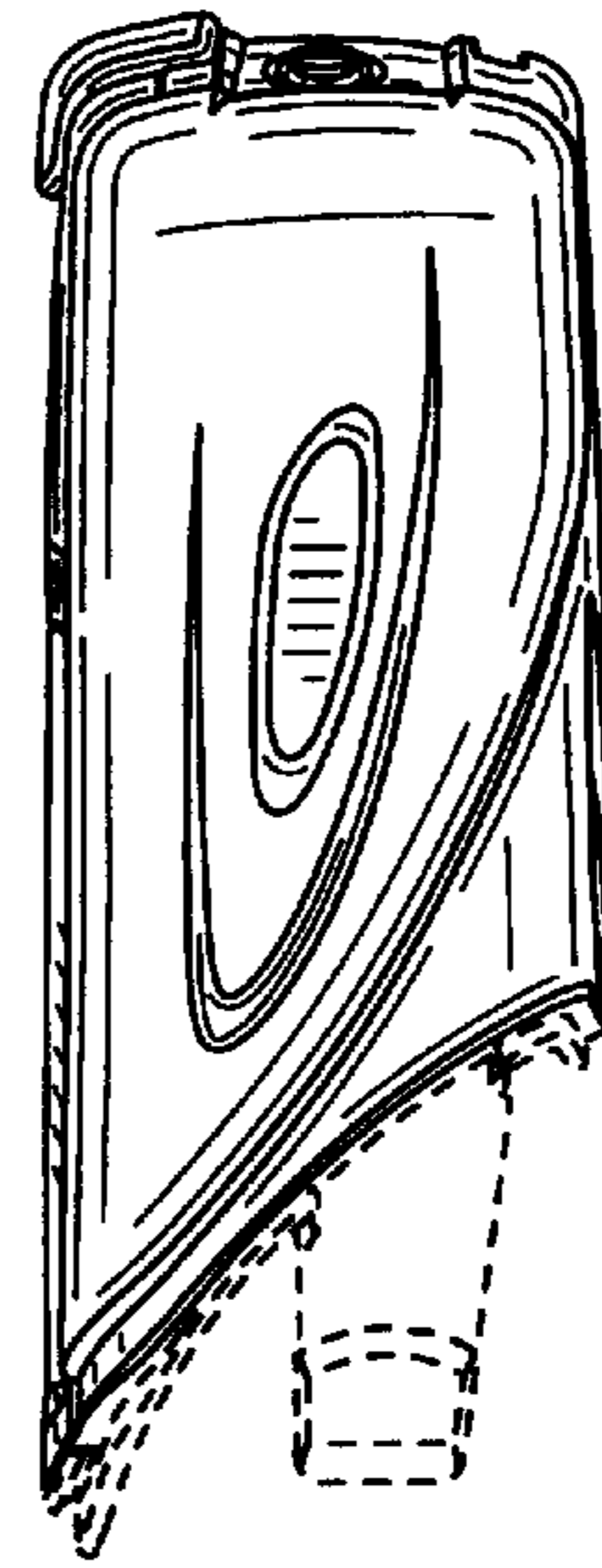


FIG. 9

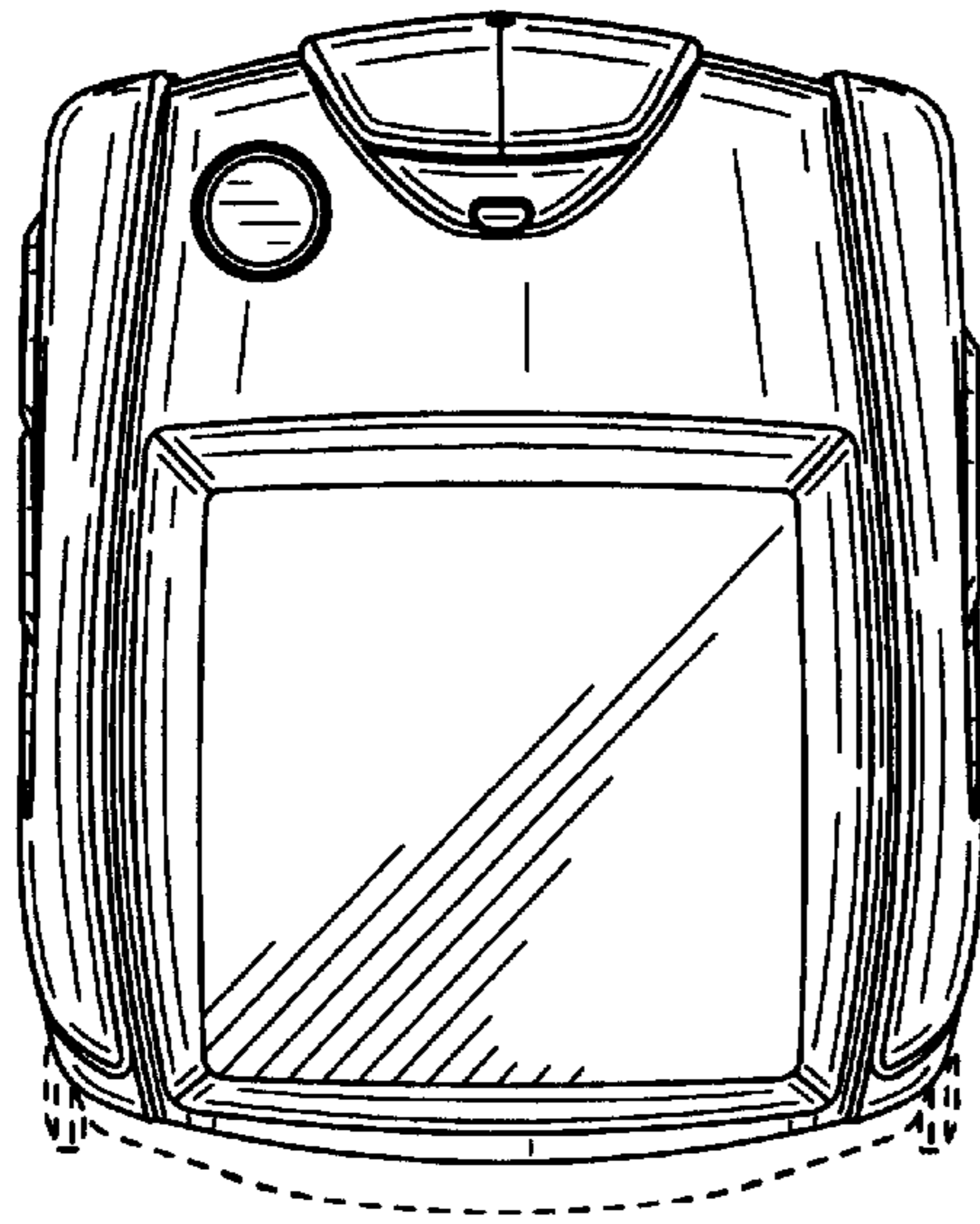


FIG. 10

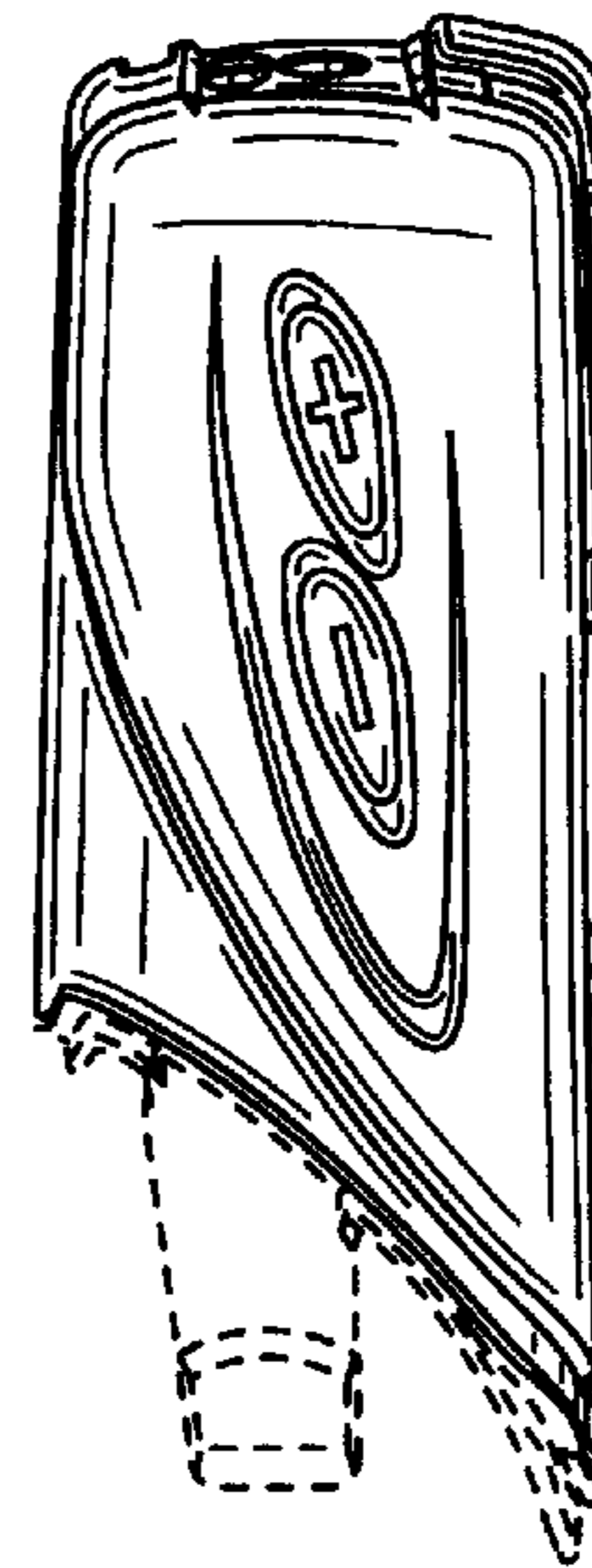


FIG. 11

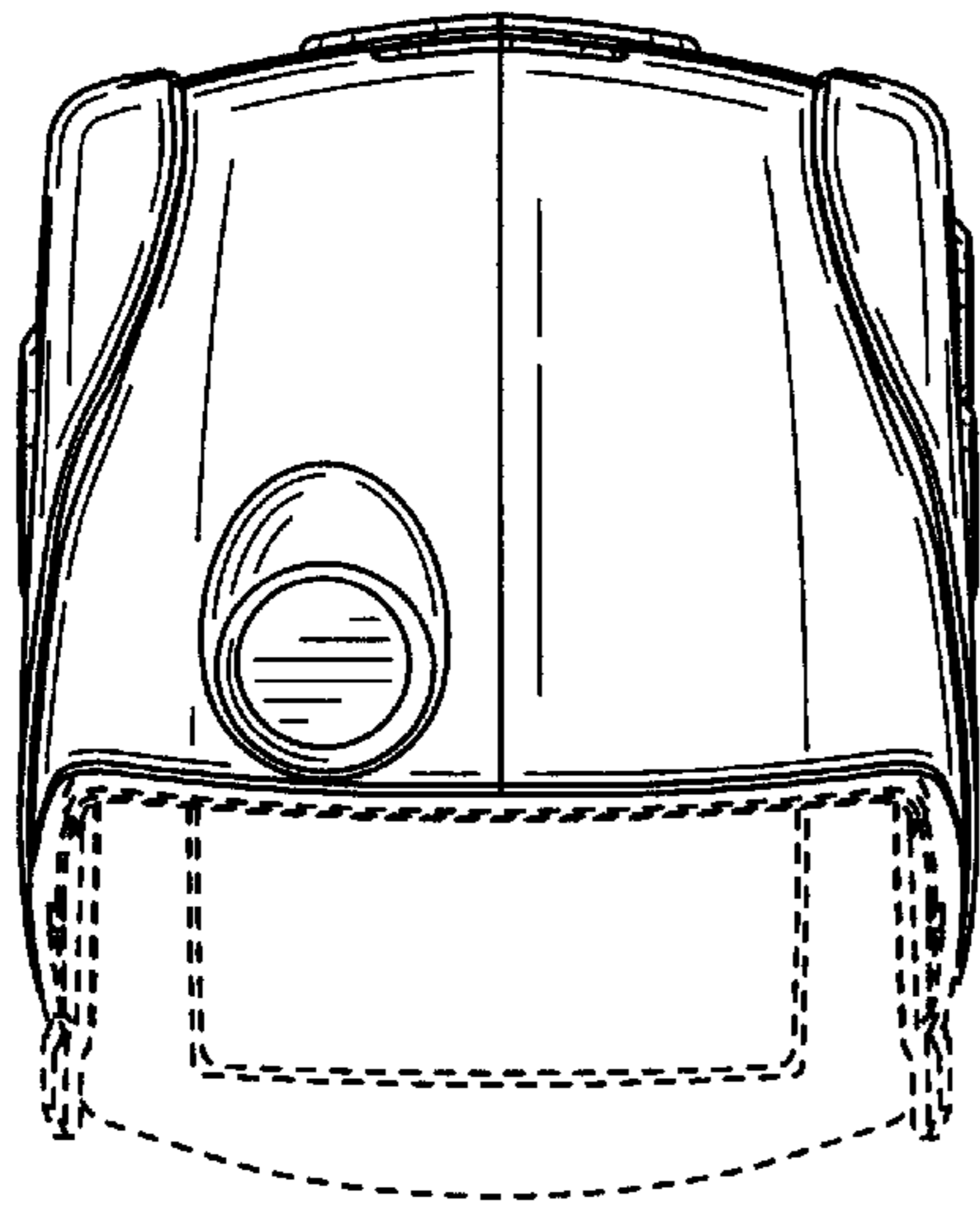


FIG. 12

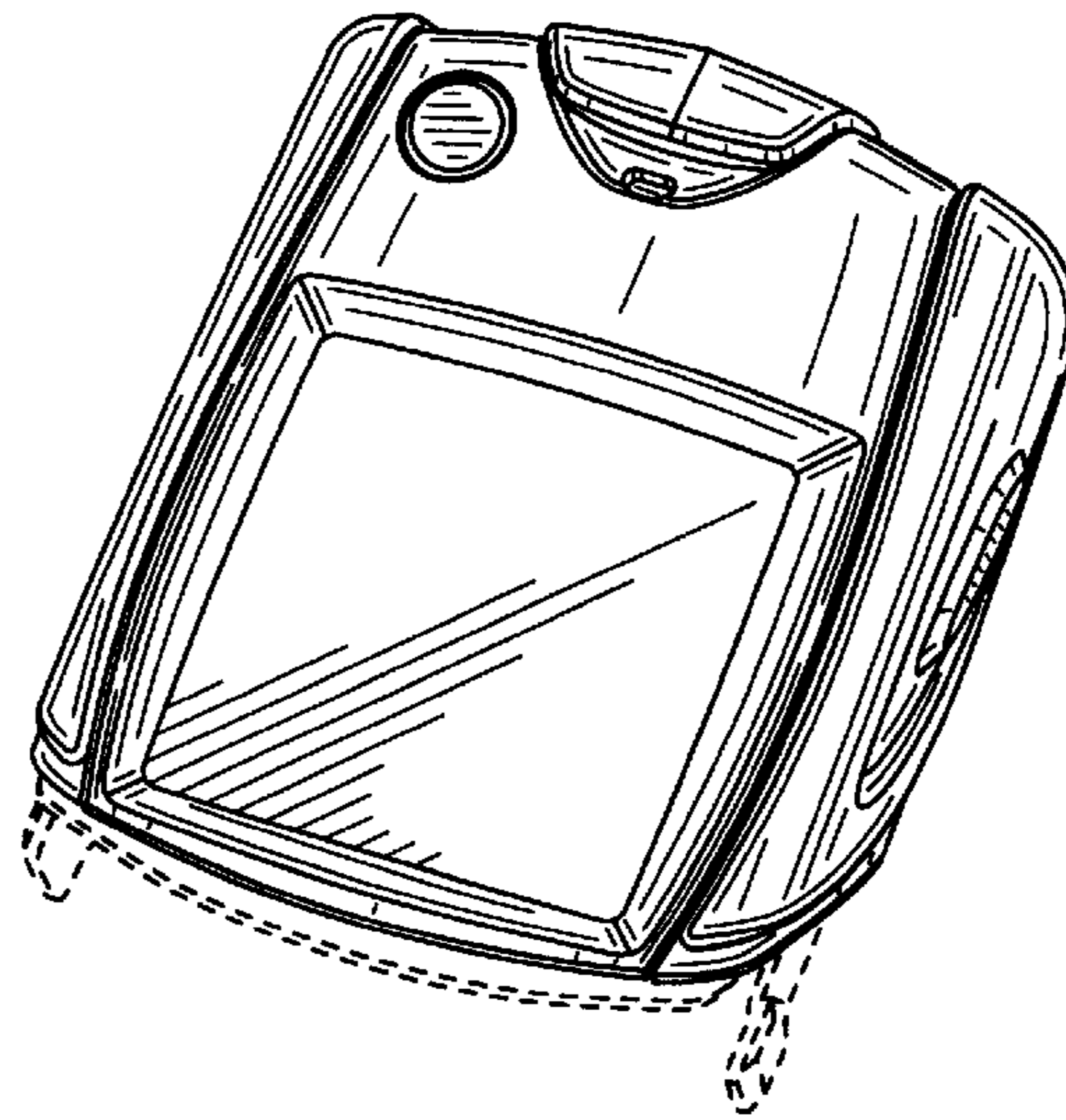


FIG. 13

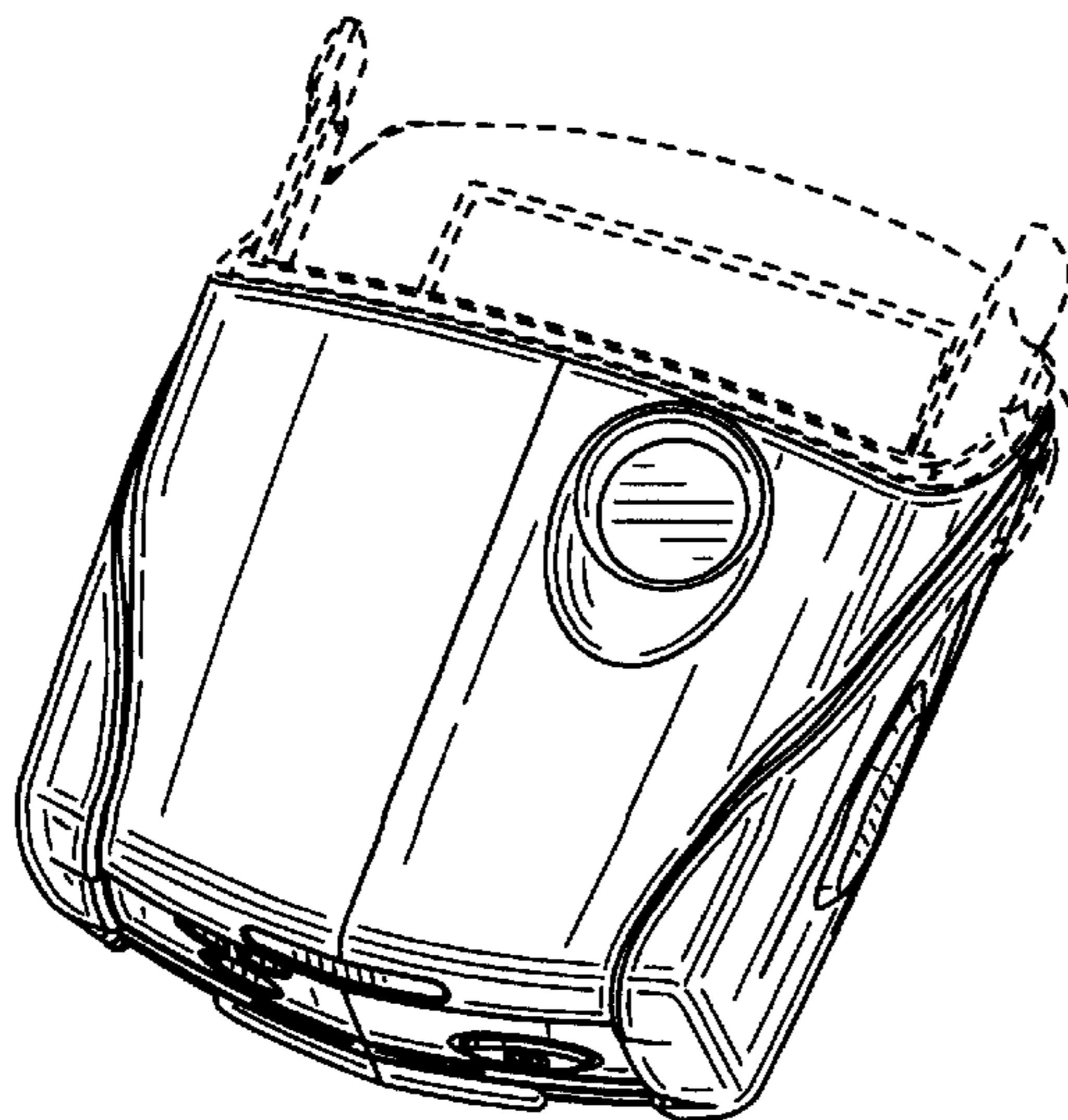


FIG. 14