

US00D527724S

(12) **United States Design Patent** (10) **Patent No.:** **US D527,724 S**  
**Lin** (45) **Date of Patent:** **\*\* Sep. 5, 2006**

(54) **REMOTE CONTROL**

(75) Inventor: **Roger Lin**, Taipei (TW)

(73) Assignee: **Hannspree, Inc.**, Taipei (TW)

(\*\*) Term: **14 Years**

(21) Appl. No.: **29/230,698**

(22) Filed: **May 25, 2005**

(30) **Foreign Application Priority Data**

Dec. 14, 2004 (TW) ..... 93307644

(51) **LOC (8) Cl.** ..... **14-03**

(52) **U.S. Cl.** ..... **D14/218**

(58) **Field of Classification Search** ..... D14/174,  
D14/217, 218, 137-139, 151, 191-193, 299,  
D14/167, 168; D13/168, 162-164; D21/512-517,  
D21/566; D10/104, 106; 455/352-355, 151.1-151.4,  
455/128, 347, 90.3; 348/114, 734  
See application file for complete search history.

(56) **References Cited**

U.S. PATENT DOCUMENTS

D383,462 S \* 9/1997 Martz et al. .... D14/218

D389,806 S \* 1/1998 Nielsen ..... D13/168

D415,115 S \* 10/1999 Kawashima ..... D13/168

D415,735 S \* 10/1999 Zuege ..... D13/168

D476,972 S \* 7/2003 Cohen ..... D14/217

D498,749 S \* 11/2004 Borsboom ..... D14/218

D499,396 S \* 12/2004 Lin ..... D14/218

D500,495 S \* 1/2005 Hoehn ..... D14/218

\* cited by examiner

*Primary Examiner*—Louis S. Zarfes

*Assistant Examiner*—John Windmuller

(74) *Attorney, Agent, or Firm*—Alan D. Kamrath; Nikolai & Mersereau, P.A.

(57) **CLAIM**

The ornamental design for a remote control, as shown.

**DESCRIPTION**

FIG. 1 is a front perspective view of a remote control showing my new design;

FIG. 2 is a front elevational view thereof;

FIG. 3 is a rear elevational view thereof;

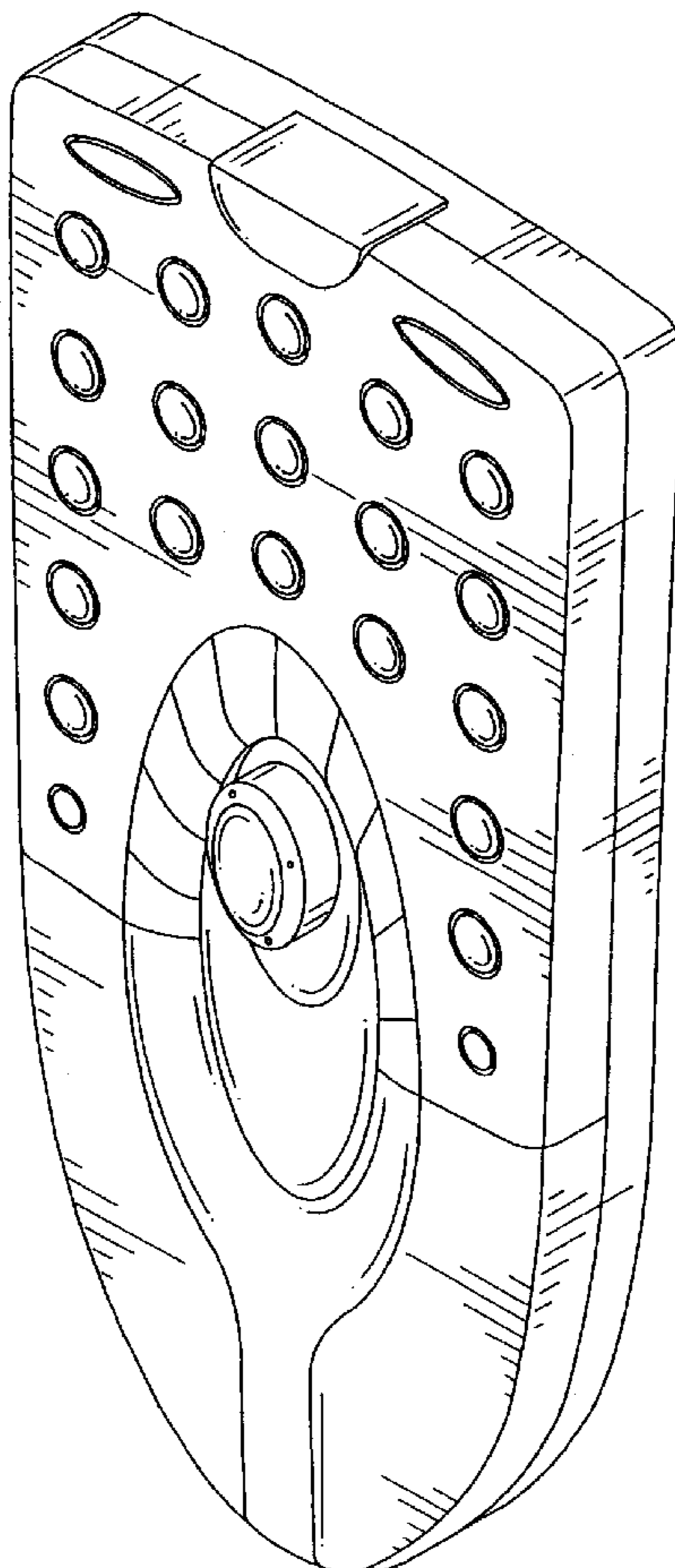
FIG. 4 is a left side elevational view thereof;

FIG. 5 is a right side elevational view thereof;

FIG. 6 is a top plan view thereof; and,

FIG. 7 is a bottom plan view thereof.

**1 Claim, 4 Drawing Sheets**



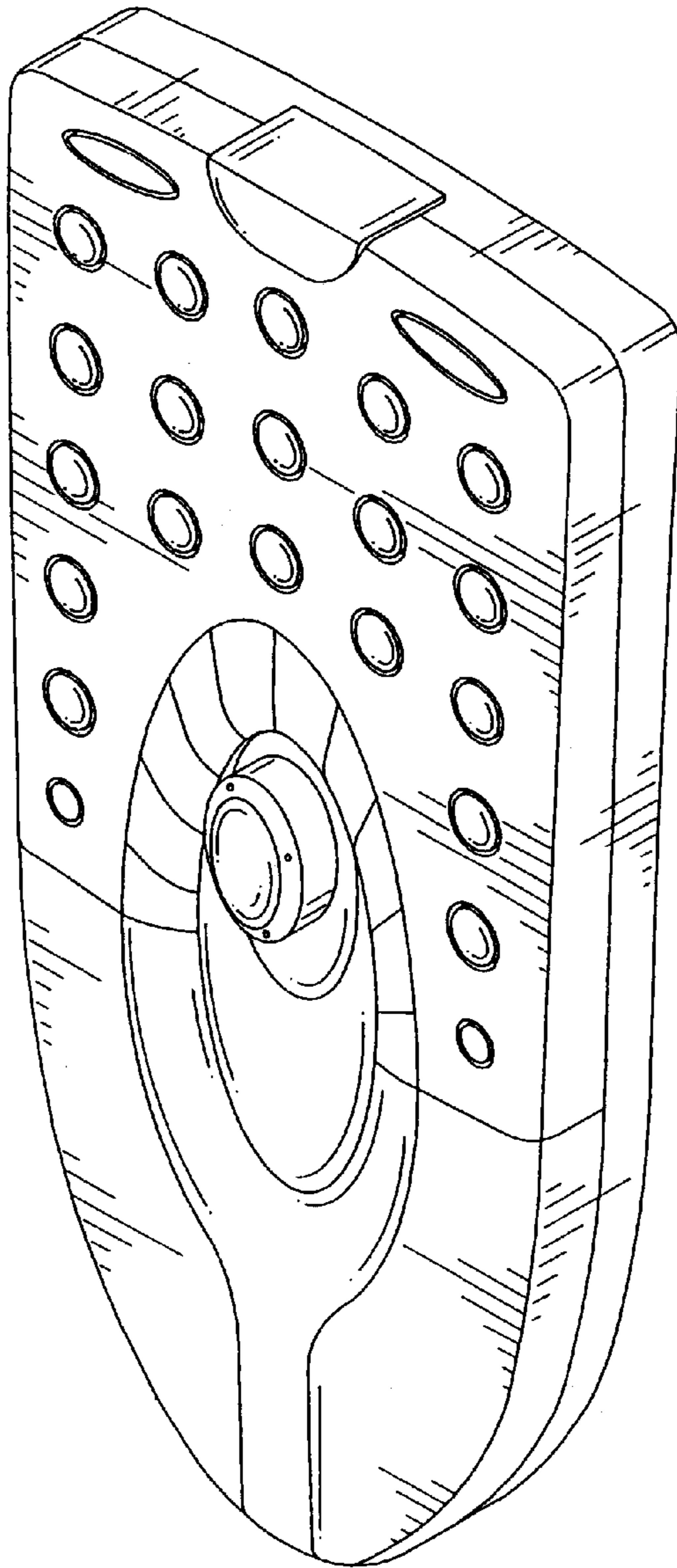


FIG.1

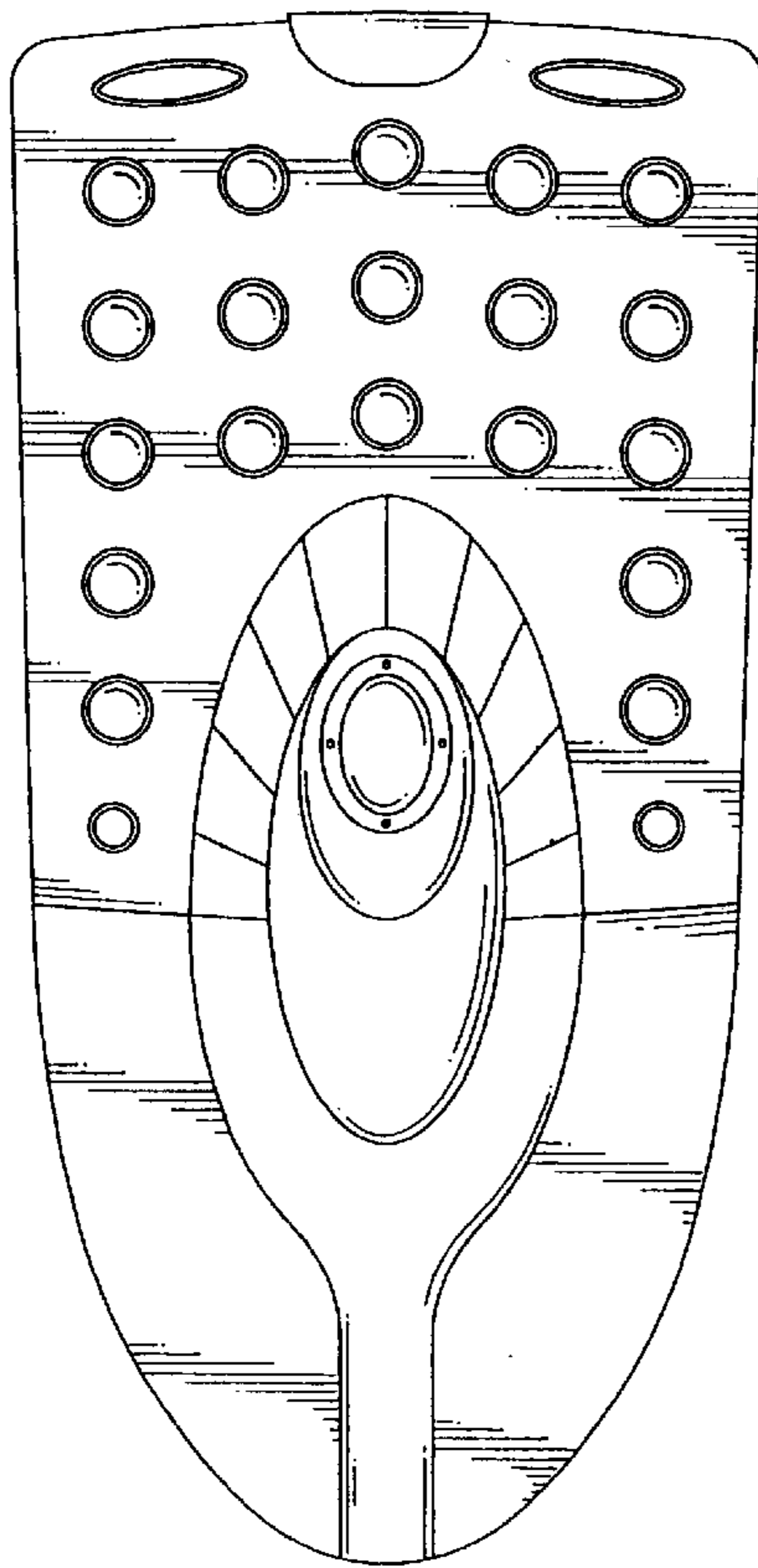


FIG. 2

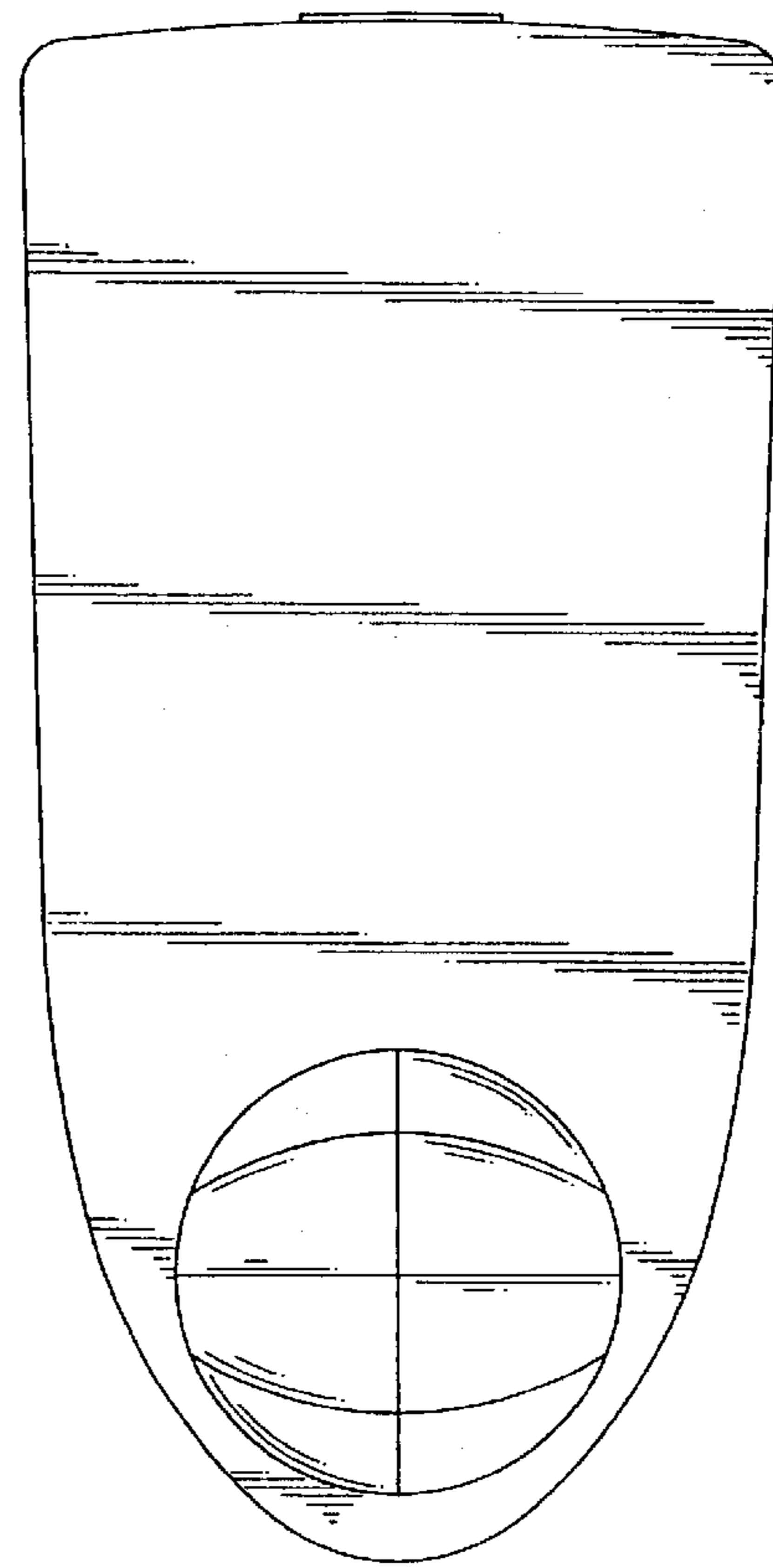


FIG. 3

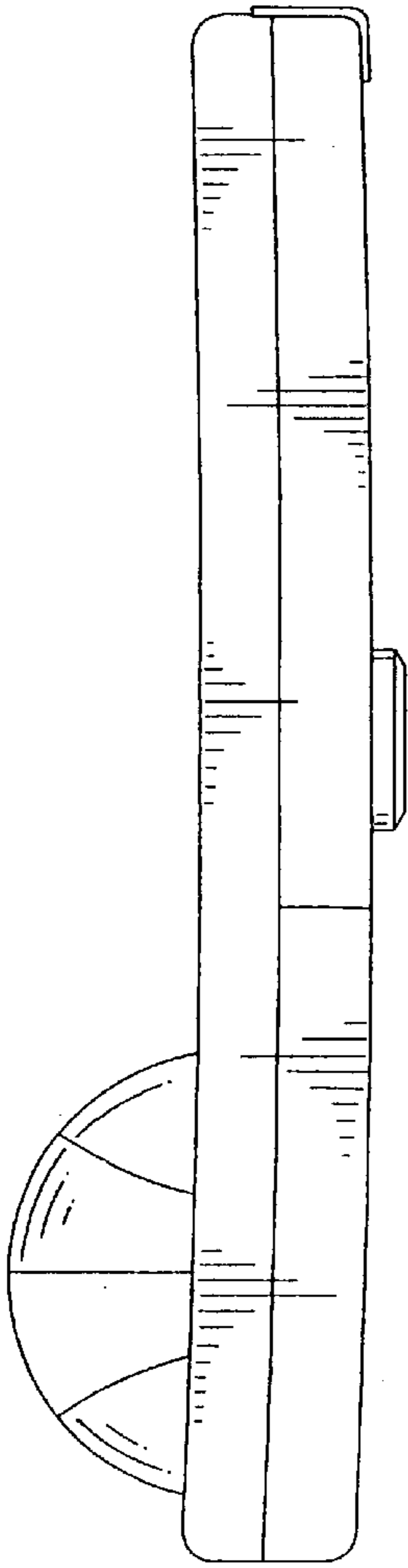


FIG.4

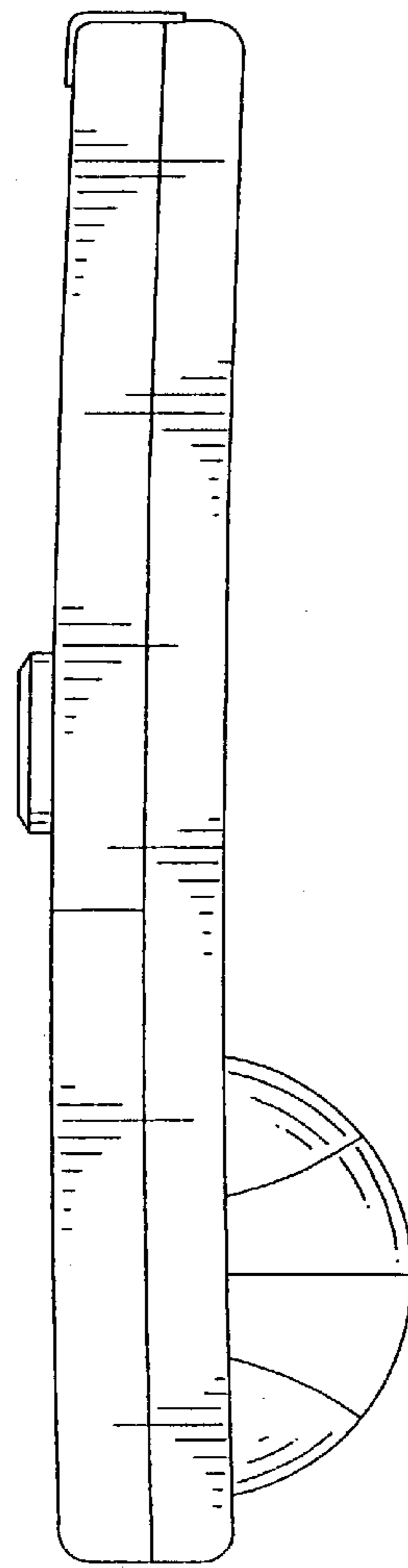


FIG.5

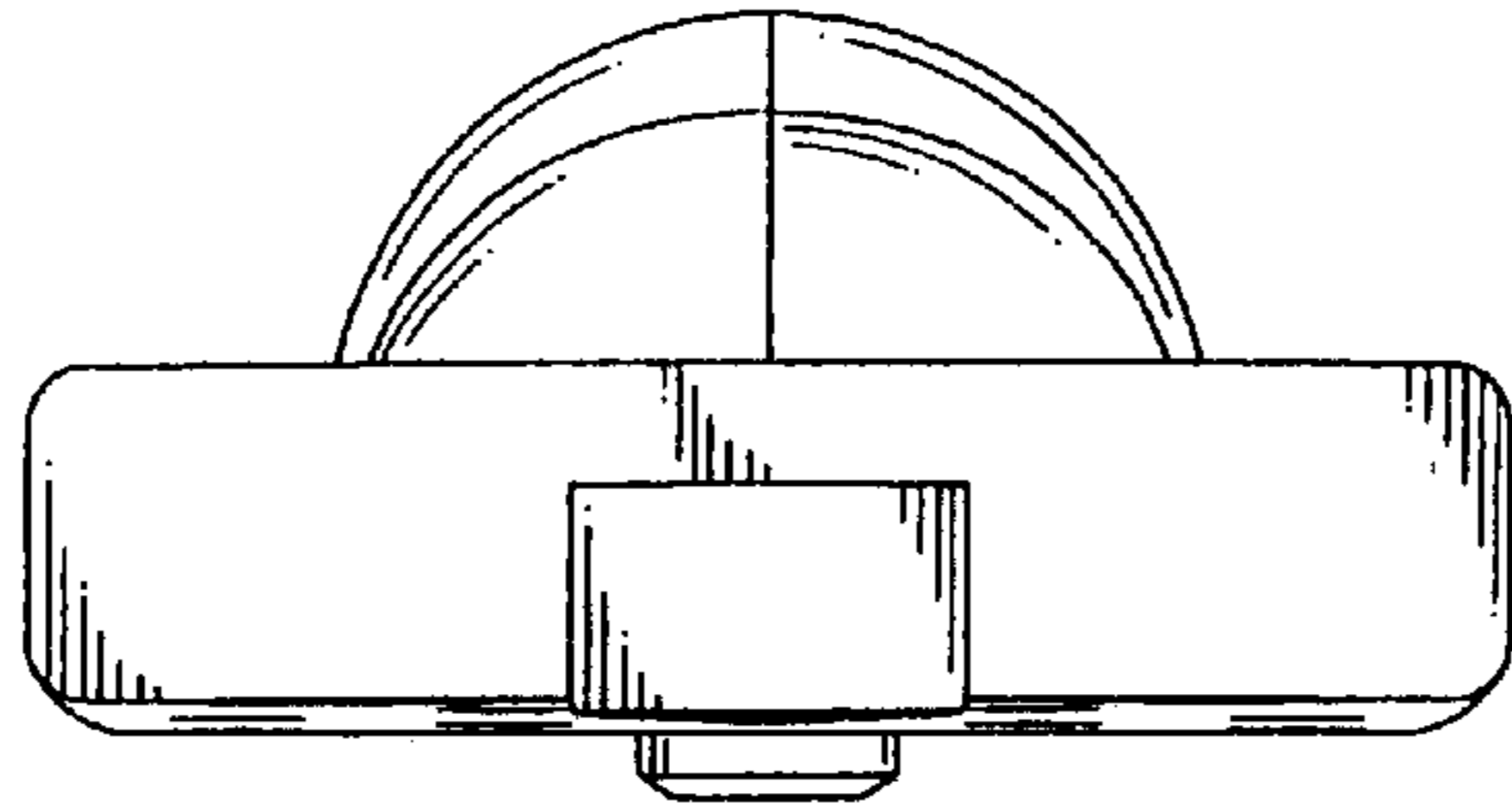


FIG. 6

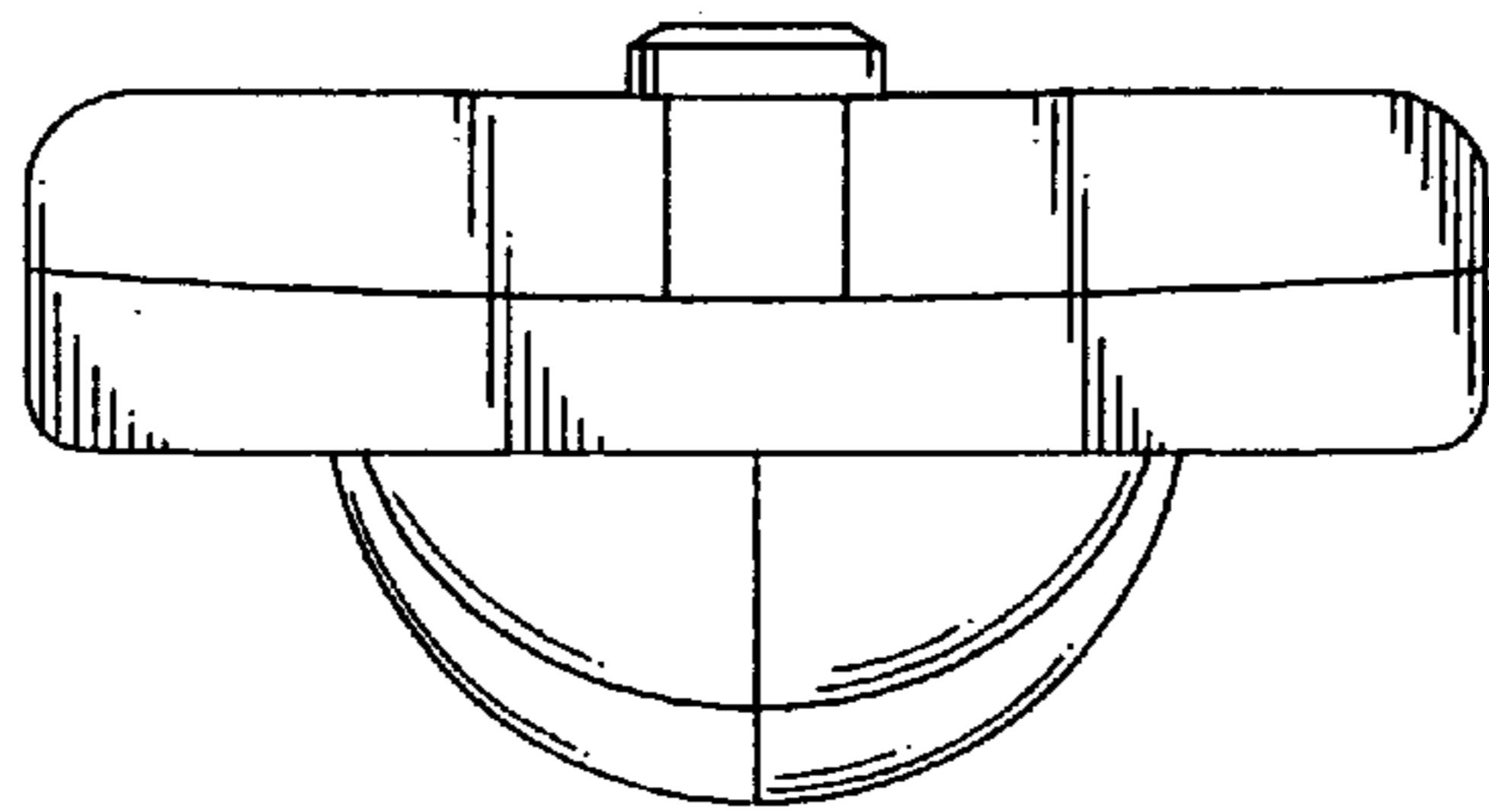


FIG. 7