



US00D527723S

(12) **United States Design Patent**
Andre et al.

(10) **Patent No.:** **US D527,723 S**
(45) **Date of Patent:** **** Sep. 5, 2006**

(54) **DEVICE HARNESS**

(75) Inventors: **Bartley K. Andre**, Menlo Park, CA (US); **Daniel J. Coster**, San Francisco, CA (US); **Daniele De Iuliis**, San Francisco, CA (US); **Richard P. Howarth**, San Francisco, CA (US); **Jonathan P. Ive**, San Francisco, CA (US); **Duncan Robert Kerr**, San Francisco, CA (US); **Shin Nishibori**, San Francisco, CA (US); **Matthew Dean Rohrbach**, San Francisco, CA (US); **Douglas B. Satzger**, Menlo Park, CA (US); **Calvin Q. Seid**, Palo Alto, CA (US); **Christopher J. Stringer**, Portola Valley, CA (US); **Eugene Antony Whang**, San Francisco, CA (US)

(73) Assignee: **Apple Computer, Inc.**, Cupertino, CA (US)

(**) Term: **14 Years**

(21) Appl. No.: **29/212,168**

(22) Filed: **Aug. 26, 2004**

(51) **LOC (8) Cl.** **14-03**

(52) **U.S. Cl.** **D14/217**

(58) **Field of Classification Search** D14/496, D14/432, 433, 447, 454, 299, 217, 251, 224; 273/148 B, 148 A; 463/1, 29-35, 46, 47; 24/164, 165, 183; 224/901.2, 901.4, 901.8, 224/929, 930; D3/207, 327, 328, 318; D29/101.1, D29/101.2

See application file for complete search history.

(56) **References Cited**

U.S. PATENT DOCUMENTS

4,649,570 A 3/1987 Terbrack et al.
5,194,987 A 3/1993 Moore et al.
5,379,491 A * 1/1995 Solo 24/3.3
5,640,459 A 6/1997 Hedeem

D423,783 S * 5/2000 Steurer D3/327
6,135,450 A * 10/2000 Huang et al. 273/148 B
D437,485 S 2/2001 Hicks et al.
D455,431 S * 4/2002 Freitag et al. D14/433
D462,523 S 9/2002 Kalbach
D467,416 S 12/2002 Kalbach
D471,912 S * 3/2003 Camarota et al. D14/433
6,550,108 B1 4/2003 Pratl
6,629,628 B1 * 10/2003 Canepari et al. 224/222
6,675,446 B1 1/2004 Buettell
6,711,785 B1 3/2004 Hicks et al.
D490,813 S * 6/2004 Hussaini et al. D14/433
6,772,485 B1 * 8/2004 Alpert 24/300
6,776,317 B1 8/2004 Parker
6,871,732 B1 3/2005 Flint et al.
D507,273 S * 7/2005 Ibuki D14/433

* cited by examiner

Primary Examiner—Prabhakar Deshmukh

(74) *Attorney, Agent, or Firm*—Beyer Weaver & Thomas, LLP

(57) **CLAIM**

We claim the ornamental design for a device harness, substantially as shown and described.

DESCRIPTION

FIG. 1 is a perspective view of a device harness in accordance with the present design.

FIG. 2 is a top view of the device harness.

FIG. 3 is a bottom view for the device harness.

FIG. 4 is a front view for the device harness.

FIG. 5 is a rear view for the device harness.

FIG. 6 is a right side view for the device harness.

FIG. 7 is a left side view for the device harness.

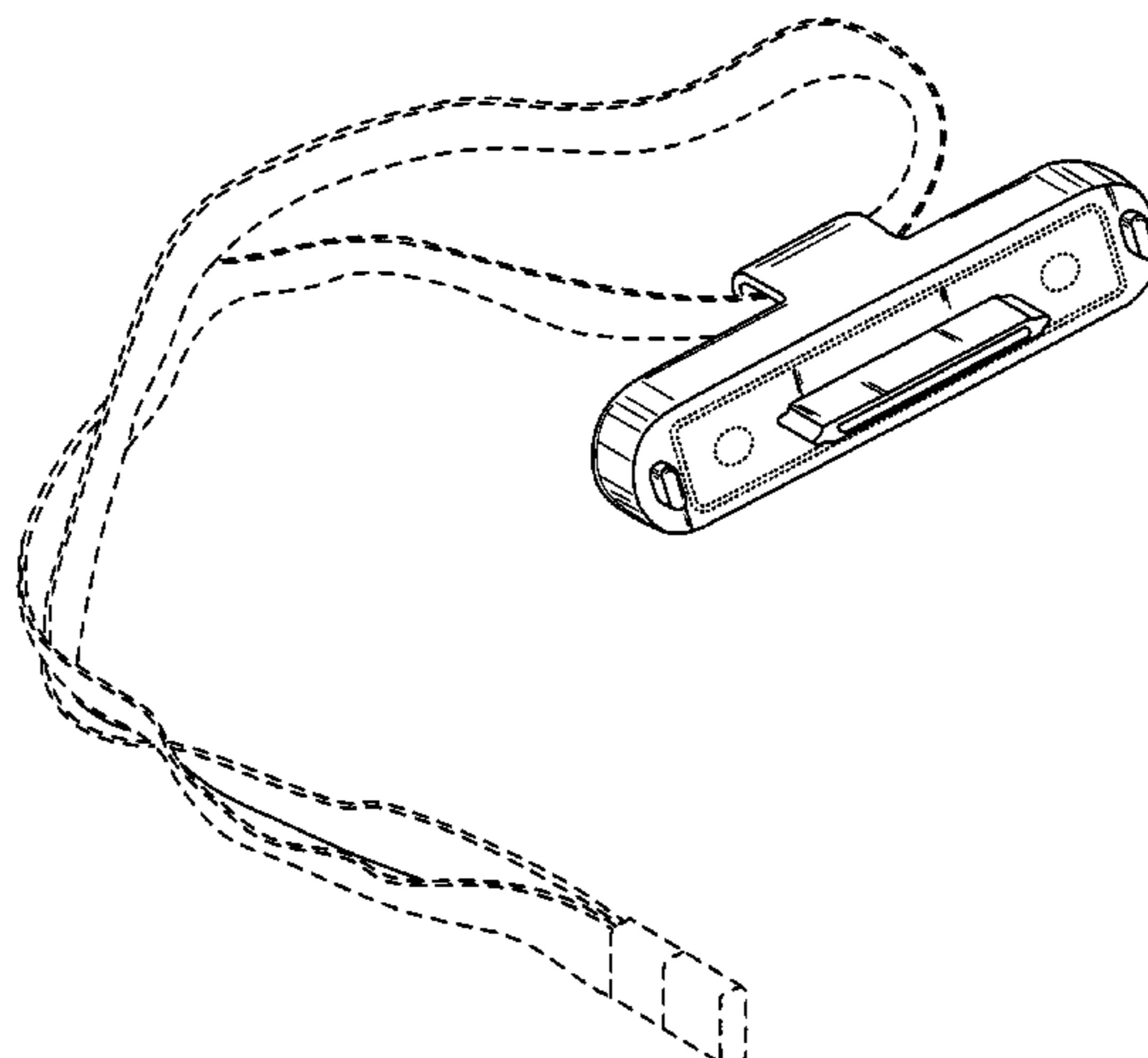
FIG. 8 is an exploded front view for the device harness, shown in it's environmental use.

FIG. 9 is a front view for the device harness; and,

FIG. 10 is a perspective view of the device harness.

The broken lines showing of an electronic device, cord and other elements are for illustrative purpose only and form no part of the claimed design.

1 Claim, 3 Drawing Sheets



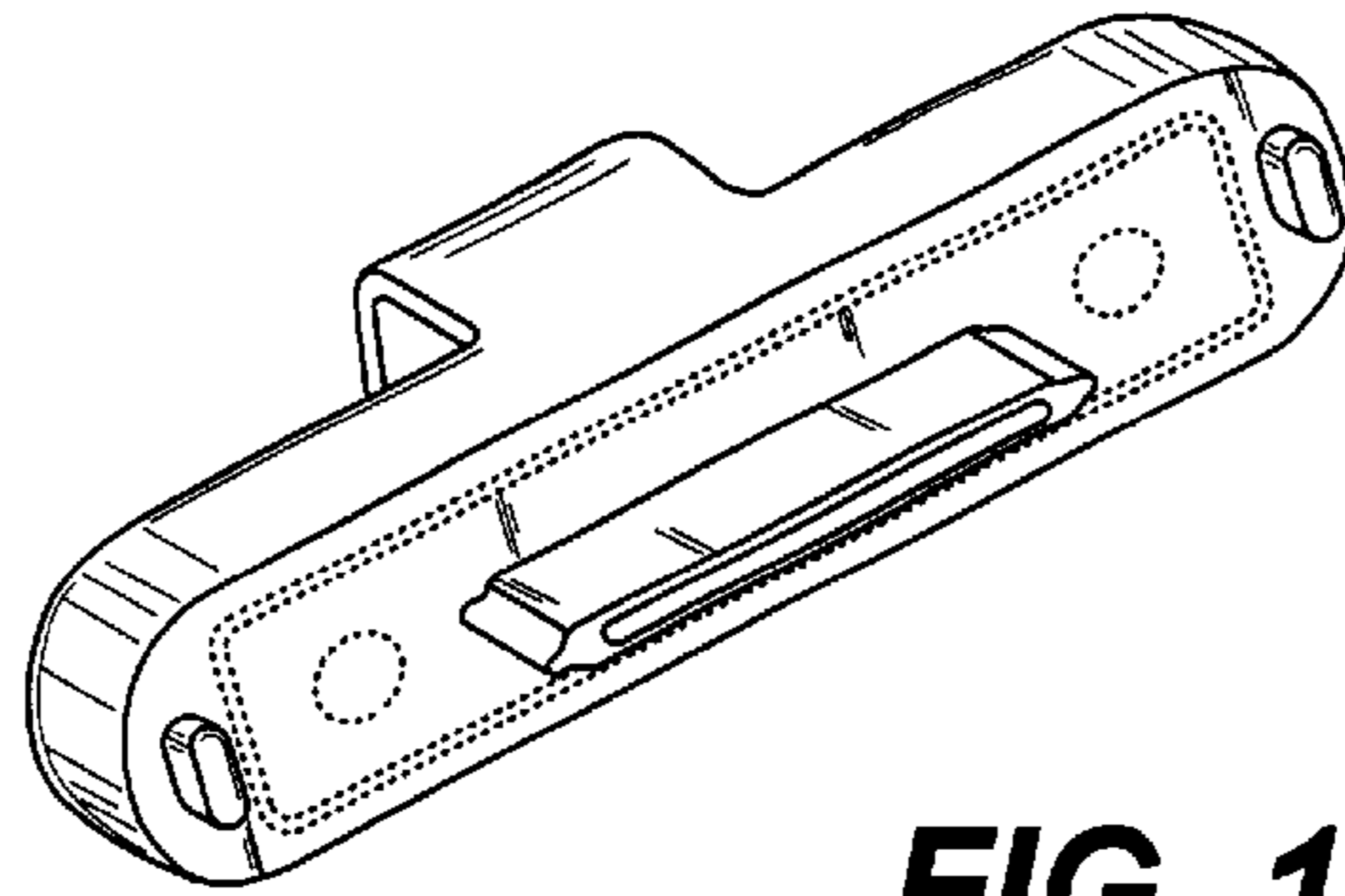


FIG. 1

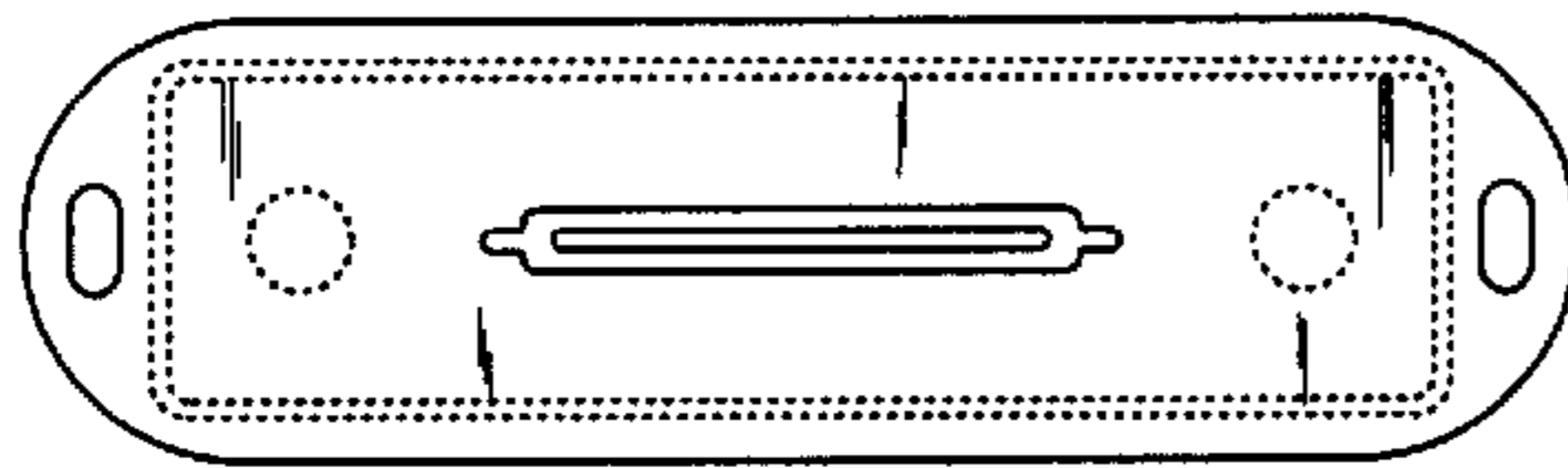


FIG. 2

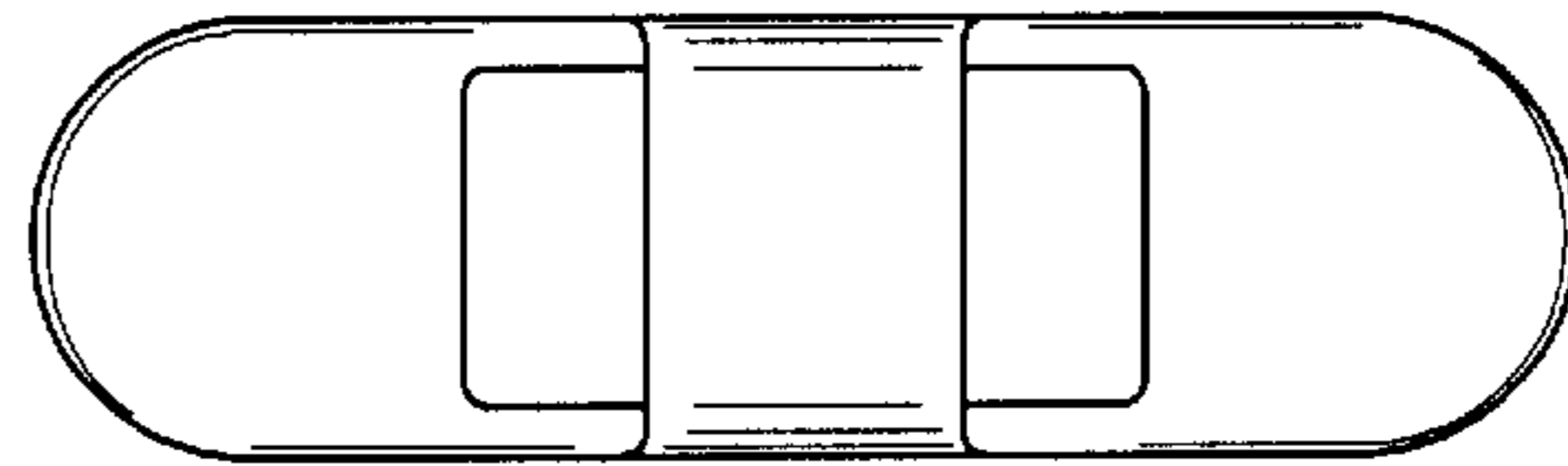


FIG. 3

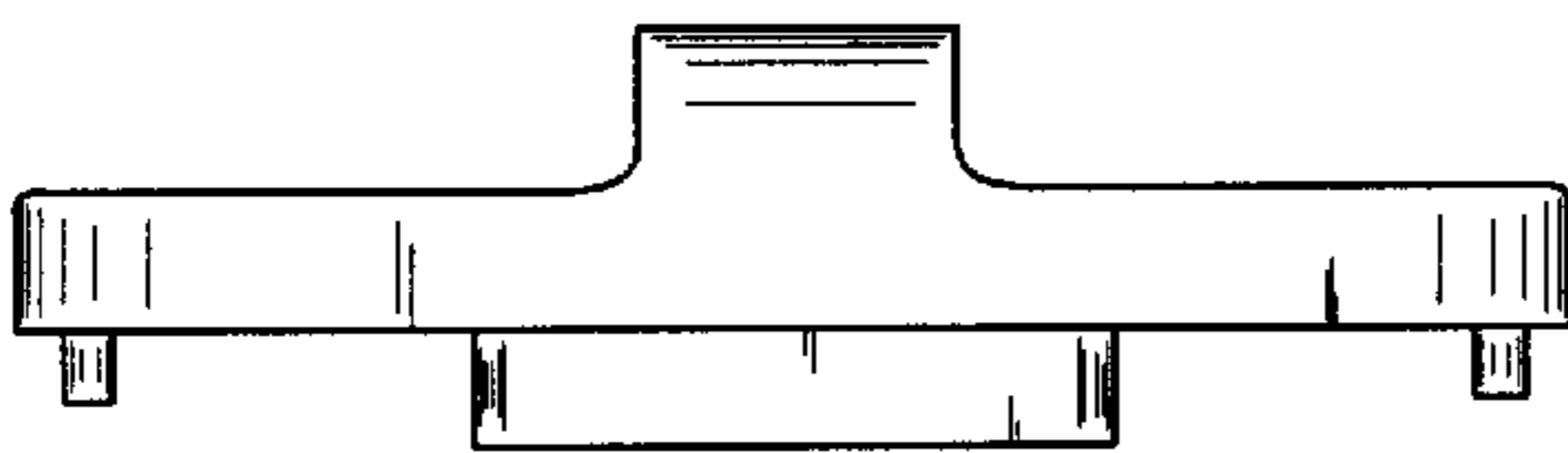


FIG. 4

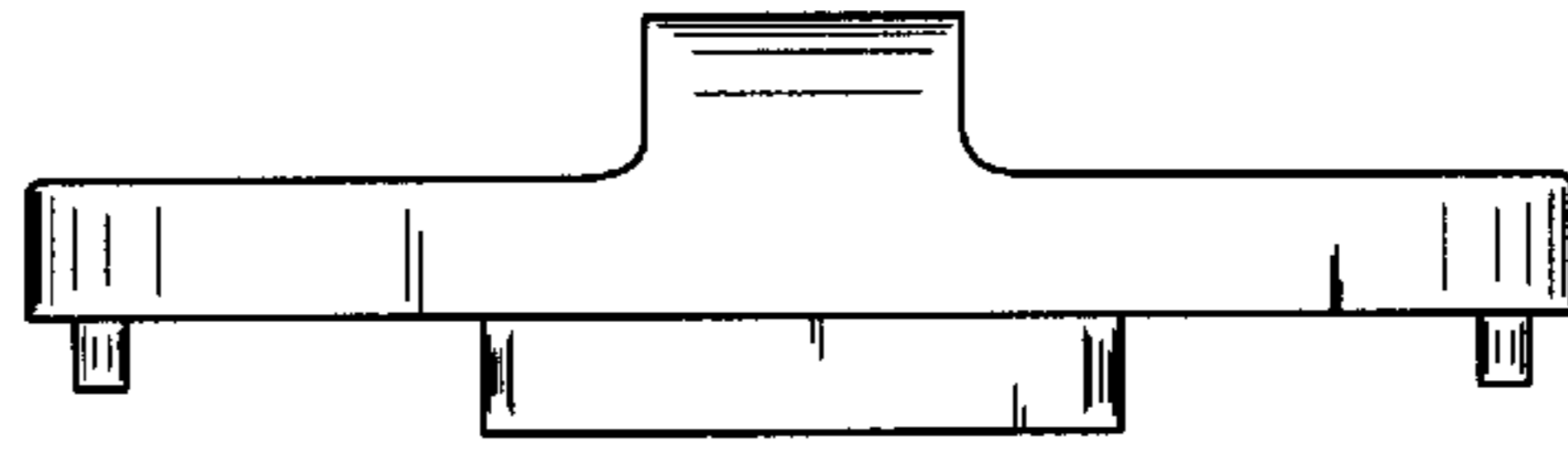


FIG. 5

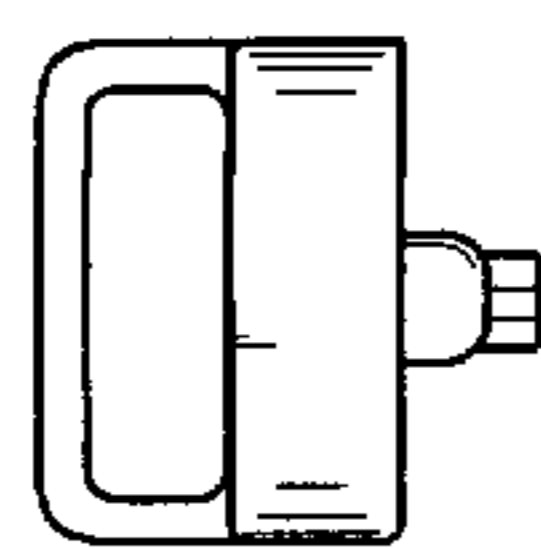


FIG. 6

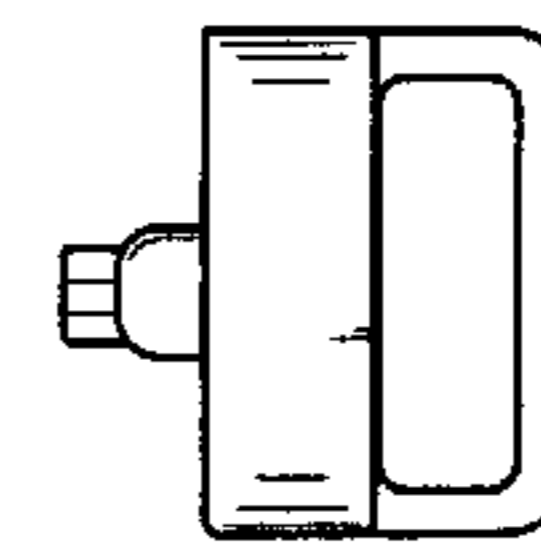
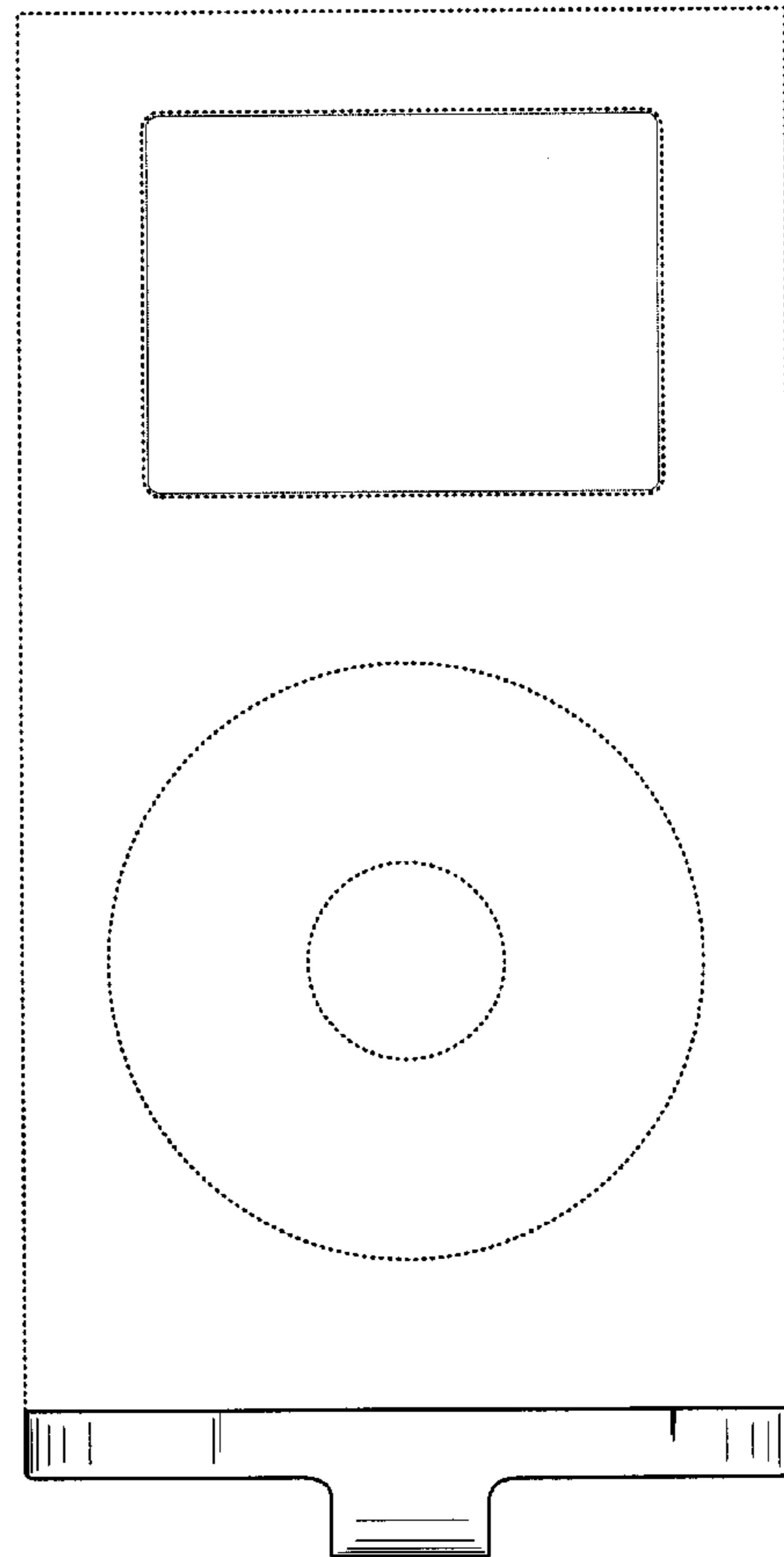
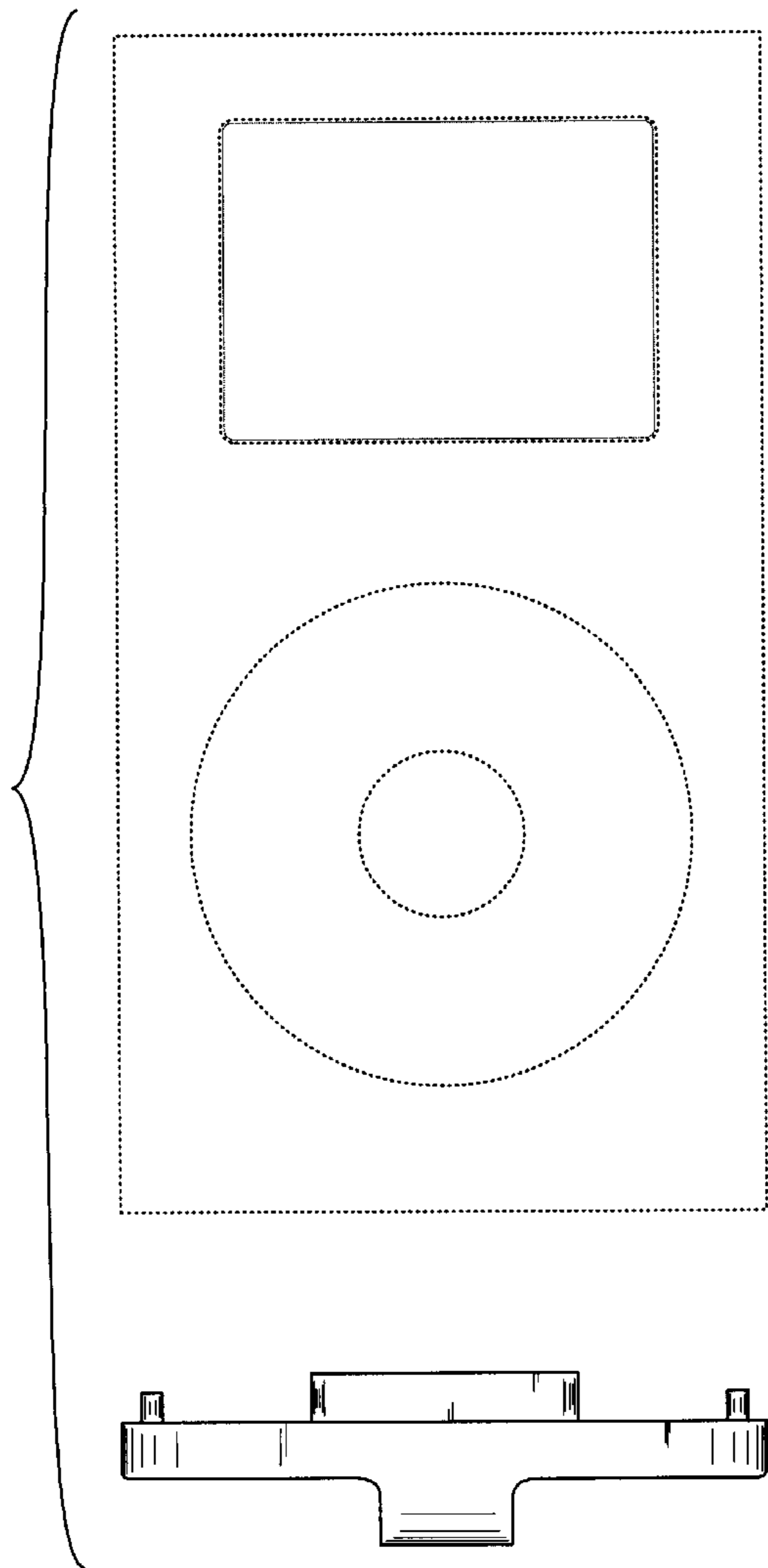


FIG. 7



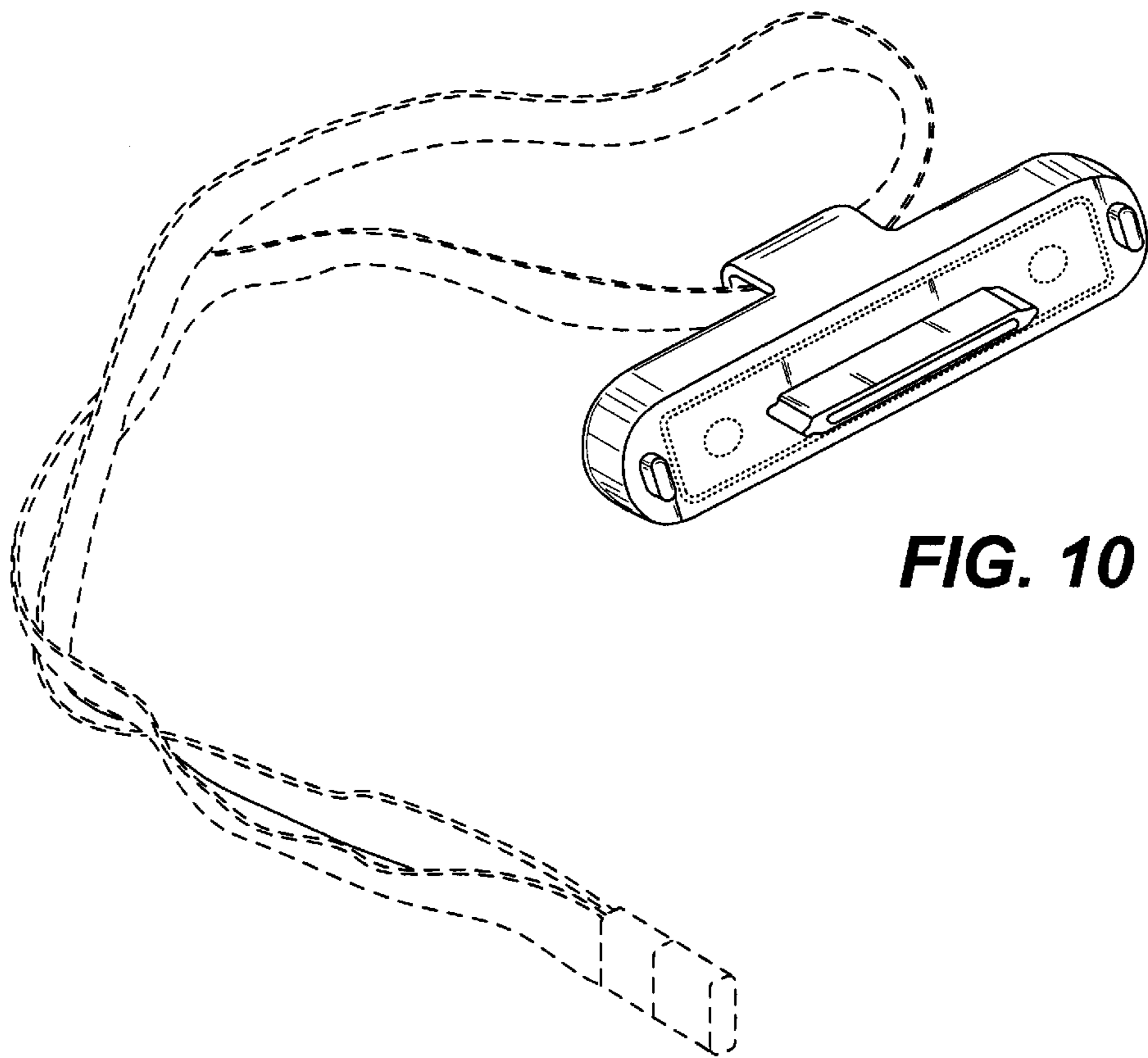


FIG. 10