



US00D527722S

(12) **United States Design Patent**
Yeh

(10) **Patent No.:** **US D527,722 S**
(45) **Date of Patent:** **** Sep. 5, 2006**

(54) **LOUDSPEAKER FOR ELECTRONIC DEVICE WITH LINE-IN CONNECTOR**

(75) Inventor: **Hsiu-wei Yeh**, Taipei Hsien (TW)

(73) Assignee: **Wistron Corporation** (TW)

(**) Term: **14 Years**

(21) Appl. No.: **29/217,757**

(22) Filed: **Nov. 23, 2004**

(51) **LOC (8) Cl.** **14-01**

(52) **U.S. Cl.** **D14/215**; D14/211; D14/496

(58) **Field of Classification Search** D14/204,
D14/207, 209–216, 356; 181/143–144, 147–148,
181/150, 157, 198–199, 151, 153; 381/300–302,
381/306, 333, 345, 361–364, 386–388, 332,
381/336

See application file for complete search history.

(56) **References Cited**

U.S. PATENT DOCUMENTS

D324,389 S	*	3/1992	Kamata	D14/215
5,546,468 A	*	8/1996	Beard	381/86
D483,349 S	*	12/2003	Murakami	D14/215
D485,256 S	*	1/2004	Allen	D14/215
D491,167 S	*	6/2004	Yokoyama	D14/215

* cited by examiner

Primary Examiner—Nanda Bondade
(74) *Attorney, Agent, or Firm*—Bacon & Thomas PLLC

(57) **CLAIM**

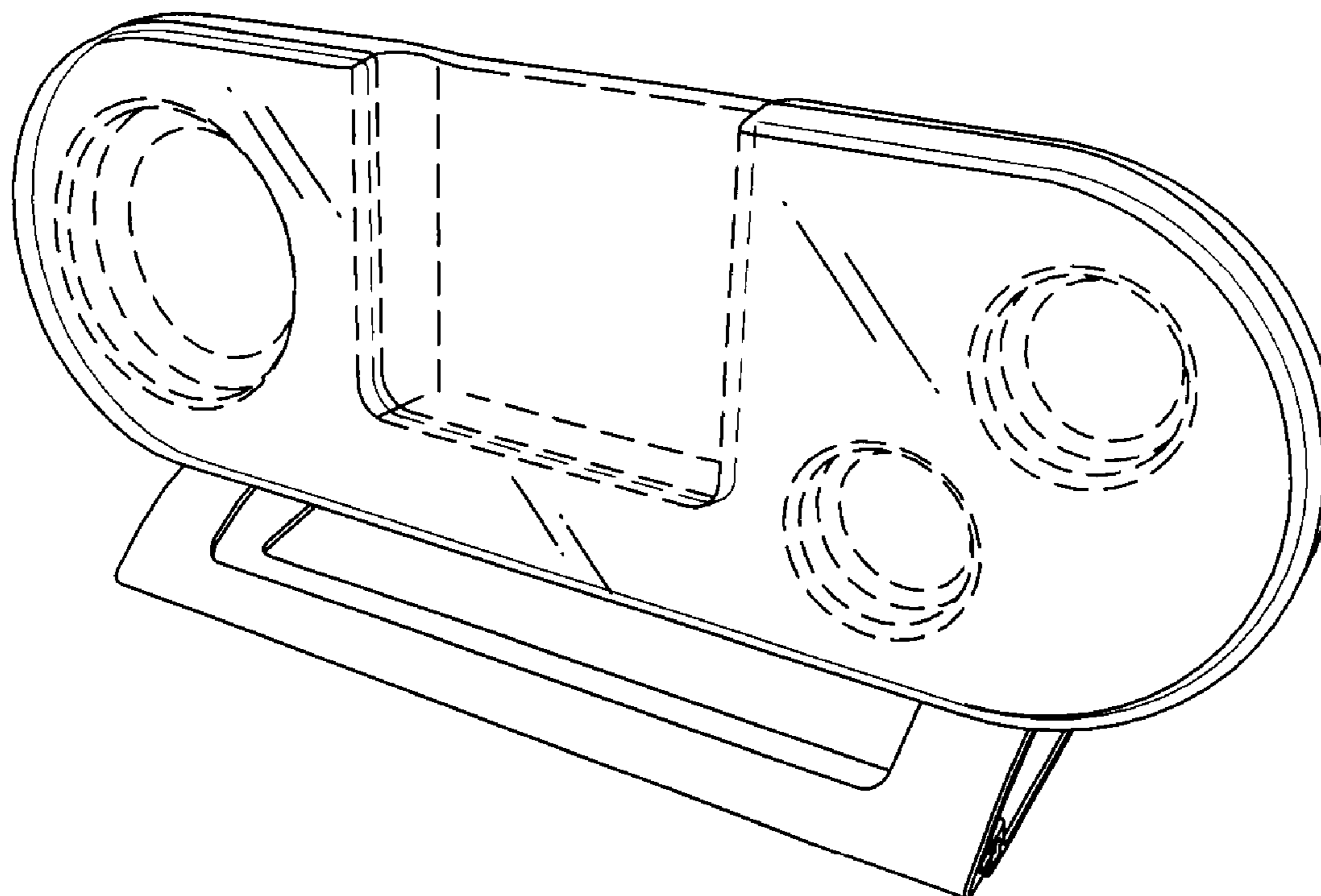
The ornamental design for a loudspeaker for electronic device with line-in connector, as shown and described.

DESCRIPTION

FIG. 1 is a perspective view of a loudspeaker for electronic device with line-in connector in accordance with my design; FIG. 2 is a front view thereof; FIG. 3 is a rear view thereof; FIG. 4 is a left view thereof; FIG. 5 is a right view thereof; FIG. 6 is a top view thereof; FIG. 7 is a bottom view thereof; FIG. 8 is a perspective view thereof, with electronic device; FIG. 9 is a perspective view of a second embodiment of FIG. 1; FIG. 10 is a perspective view of a third embodiment of FIG. 1; and, FIG. 11 is a perspective view of a fourth embodiment of FIG. 1.

The broken lines showing on FIGS. 1–3, FIGS. 6–11 are for illustrative purposes only and form no part of the claimed design.

1 Claim, 7 Drawing Sheets



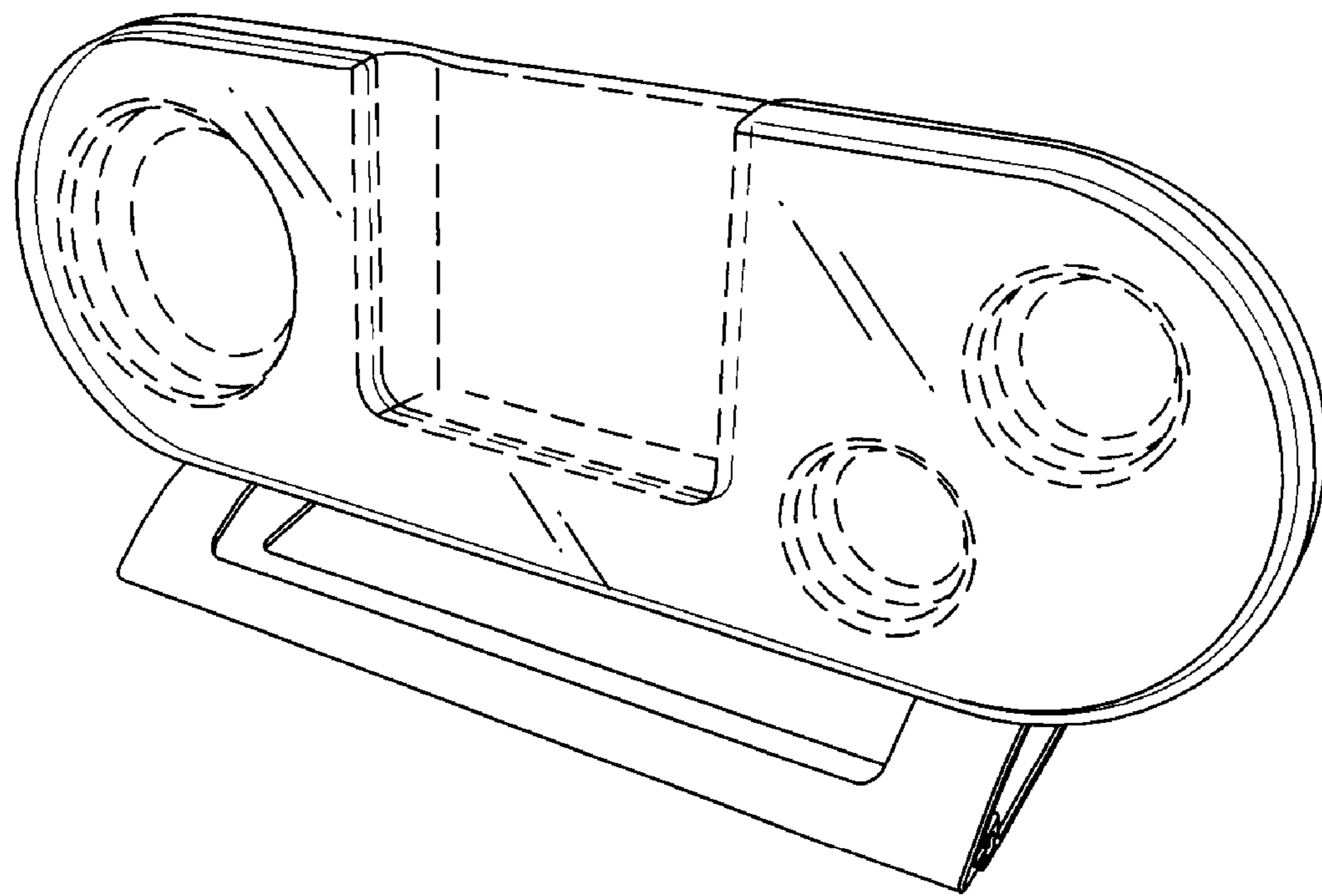


FIG. 1

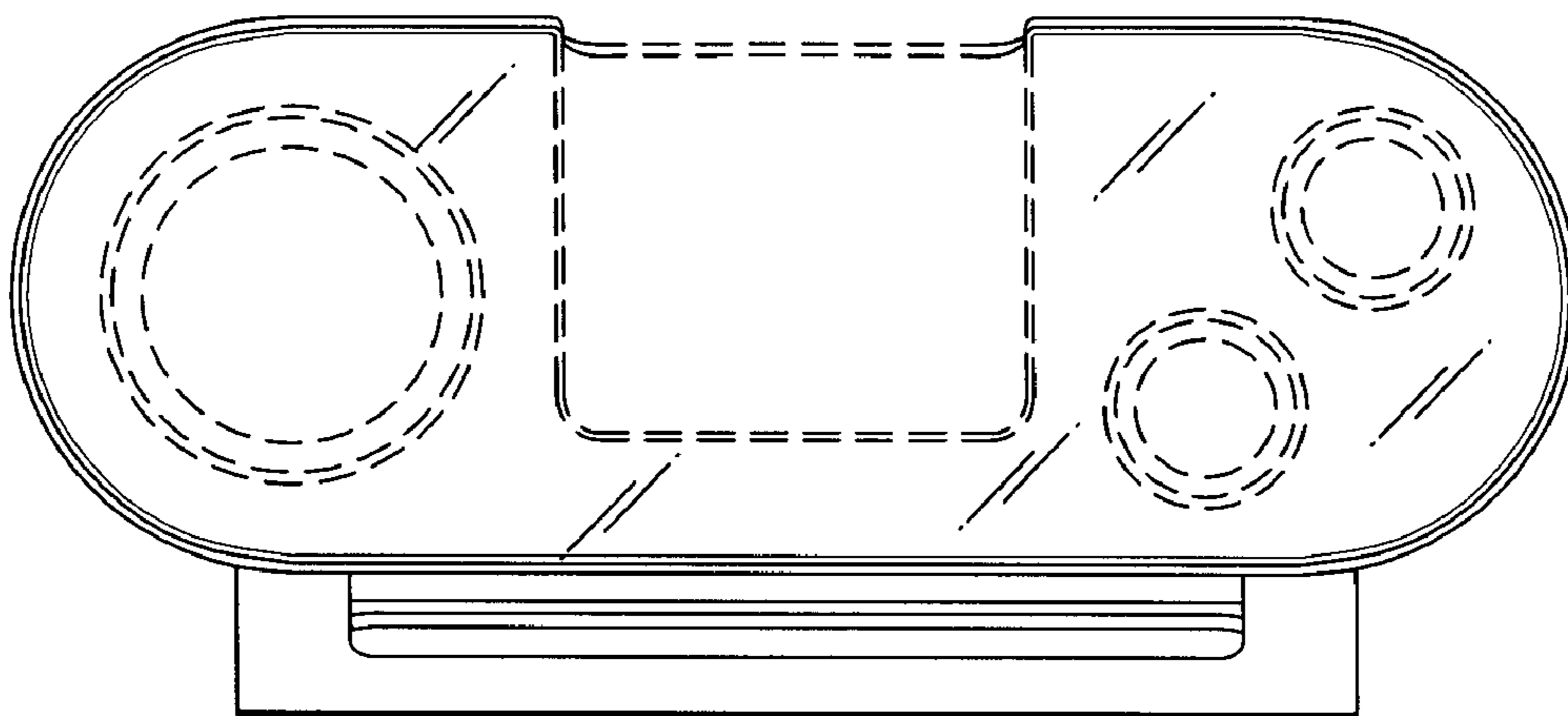


FIG. 2

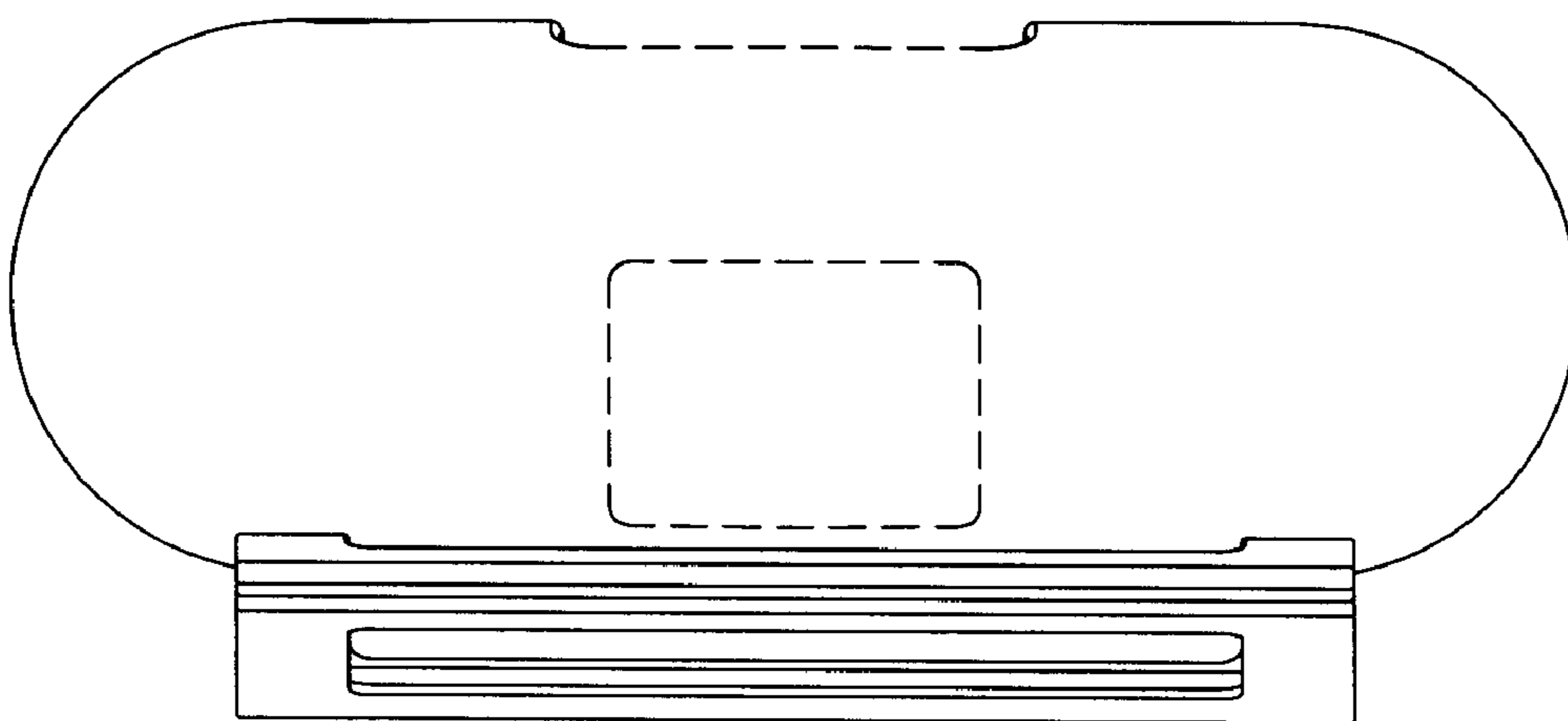


FIG. 3

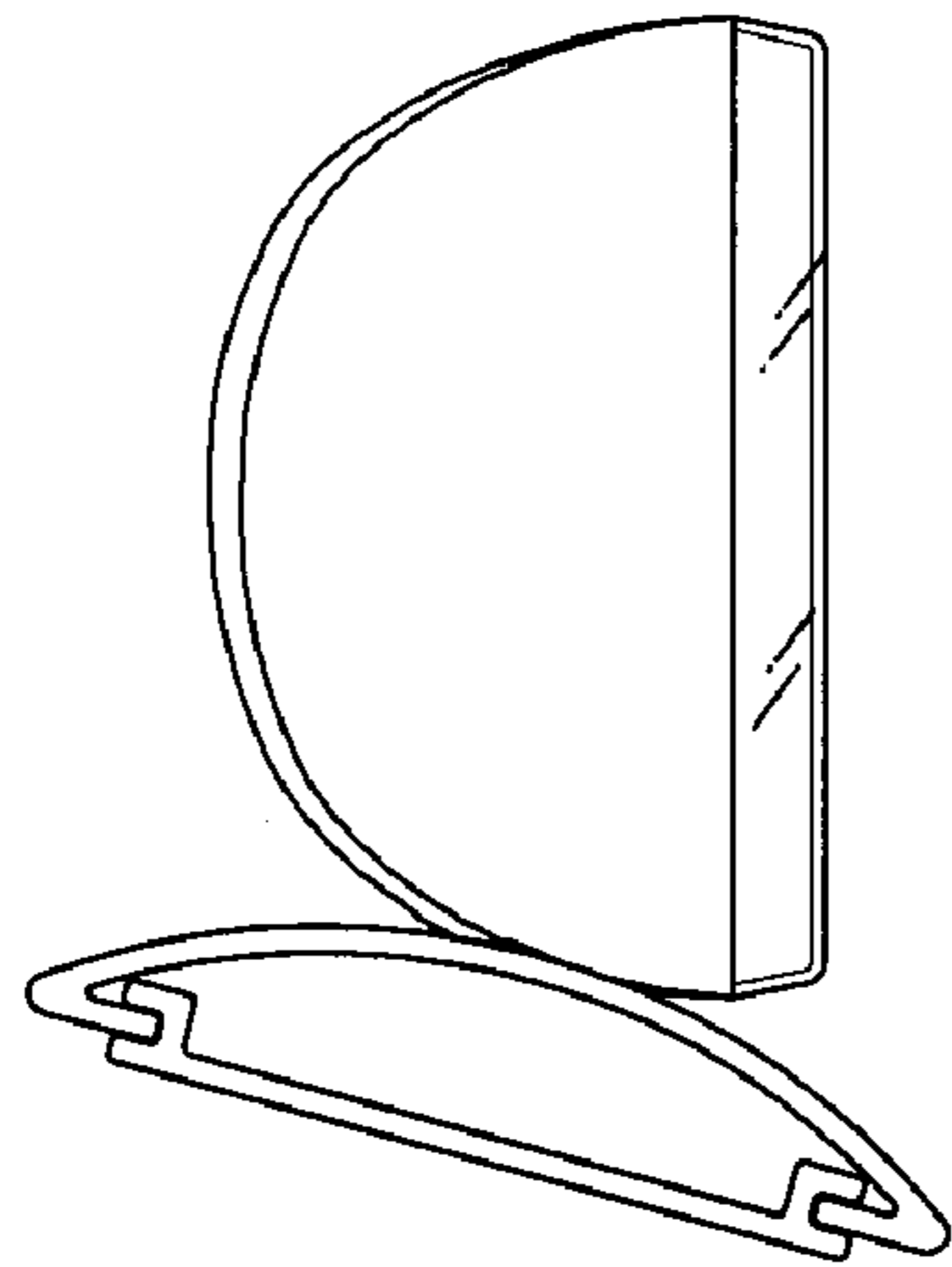


FIG. 4

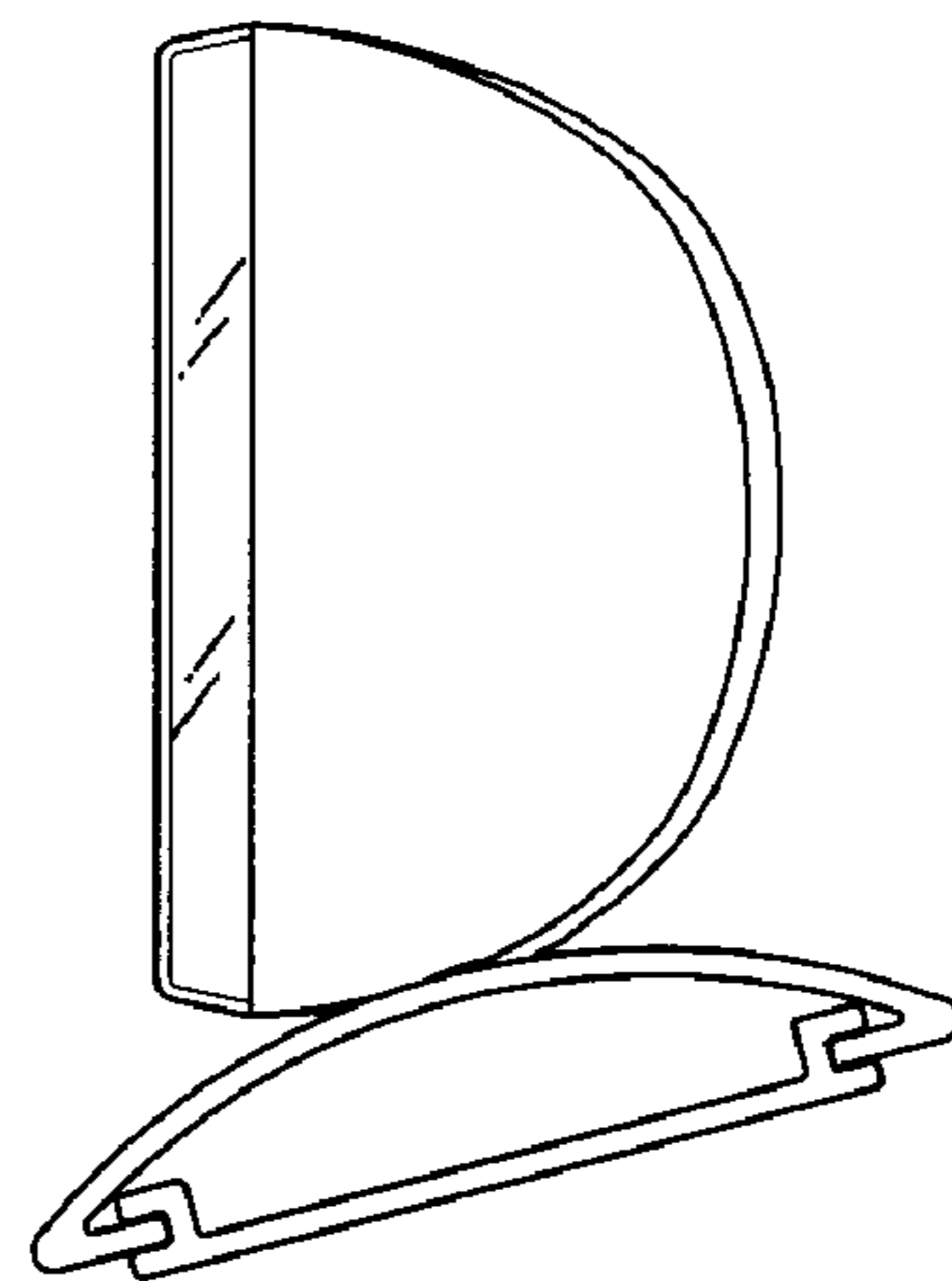


FIG. 5

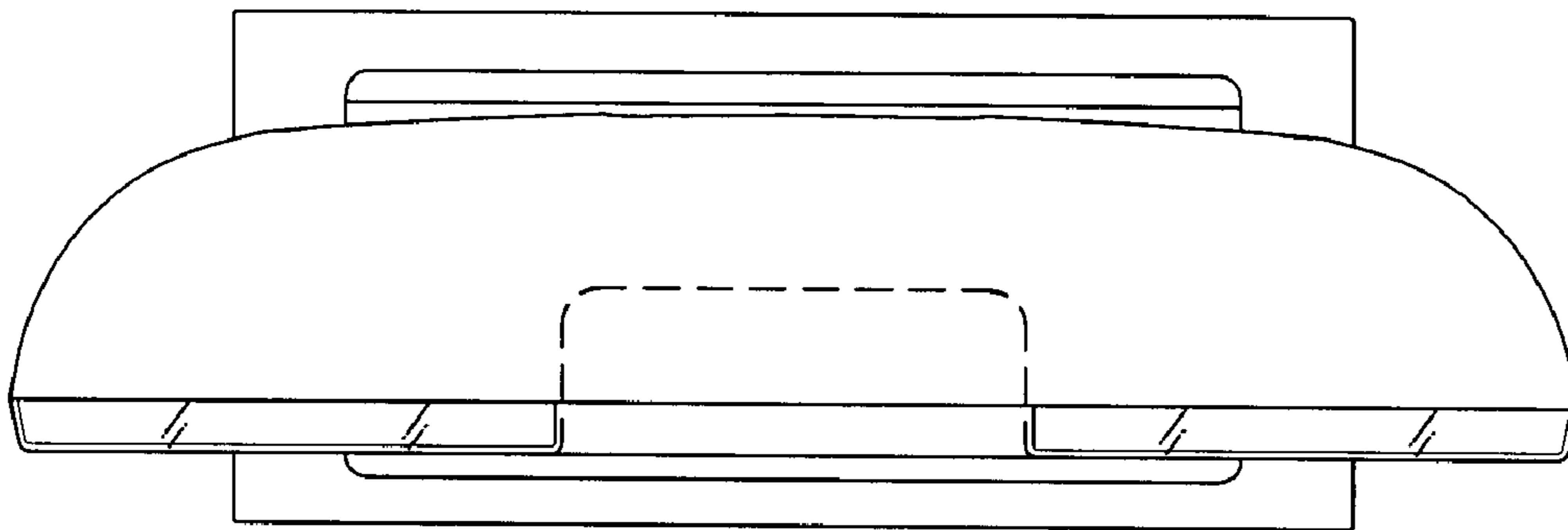


FIG. 6

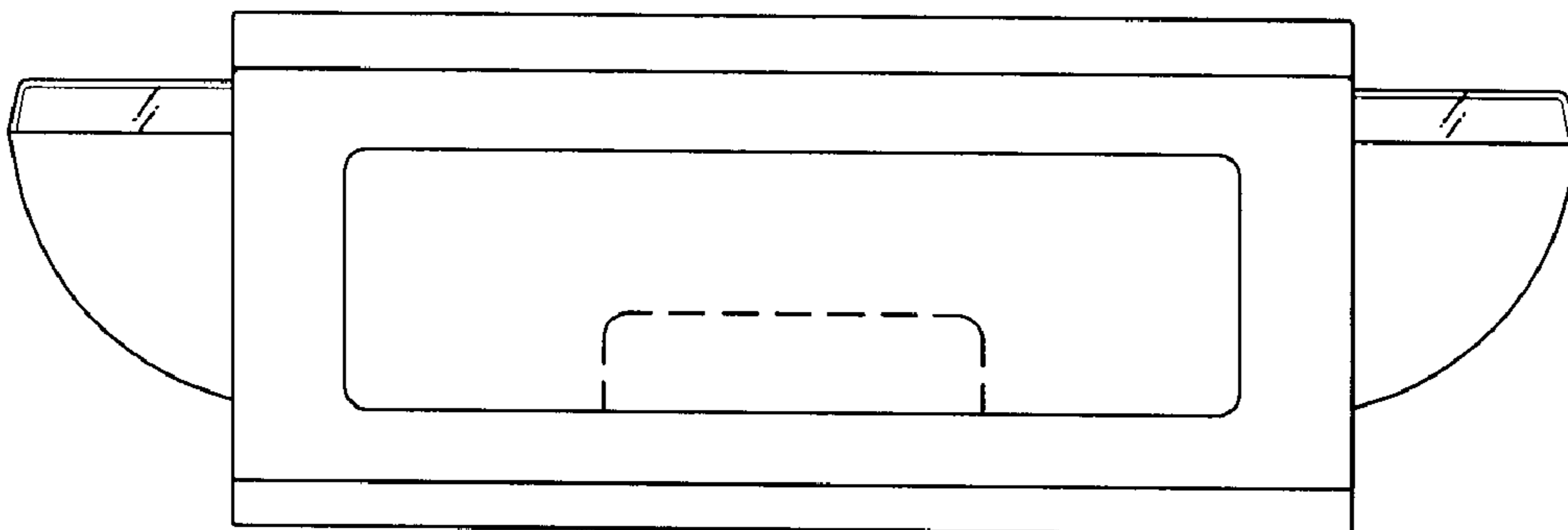


FIG. 7

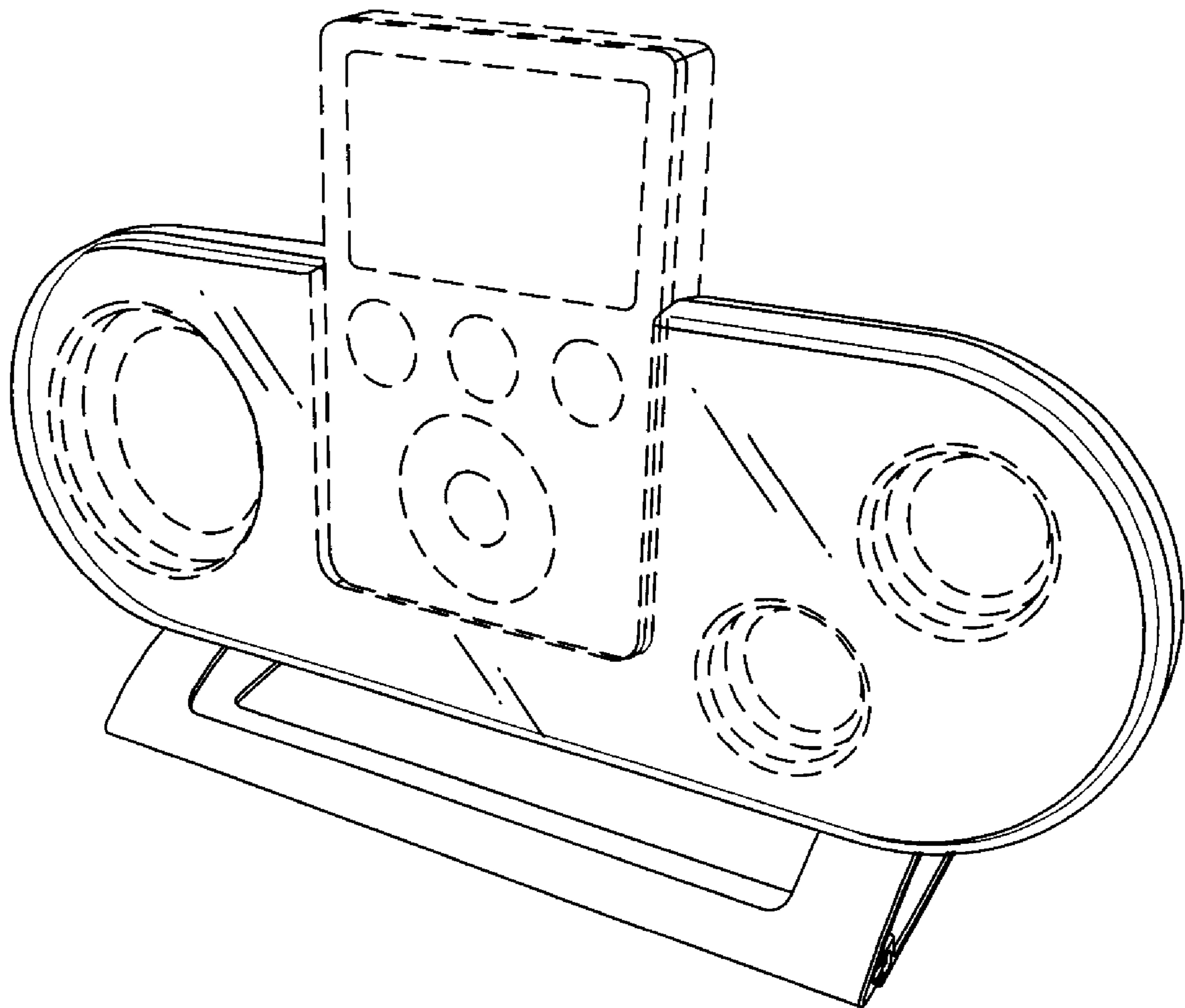


FIG. 8

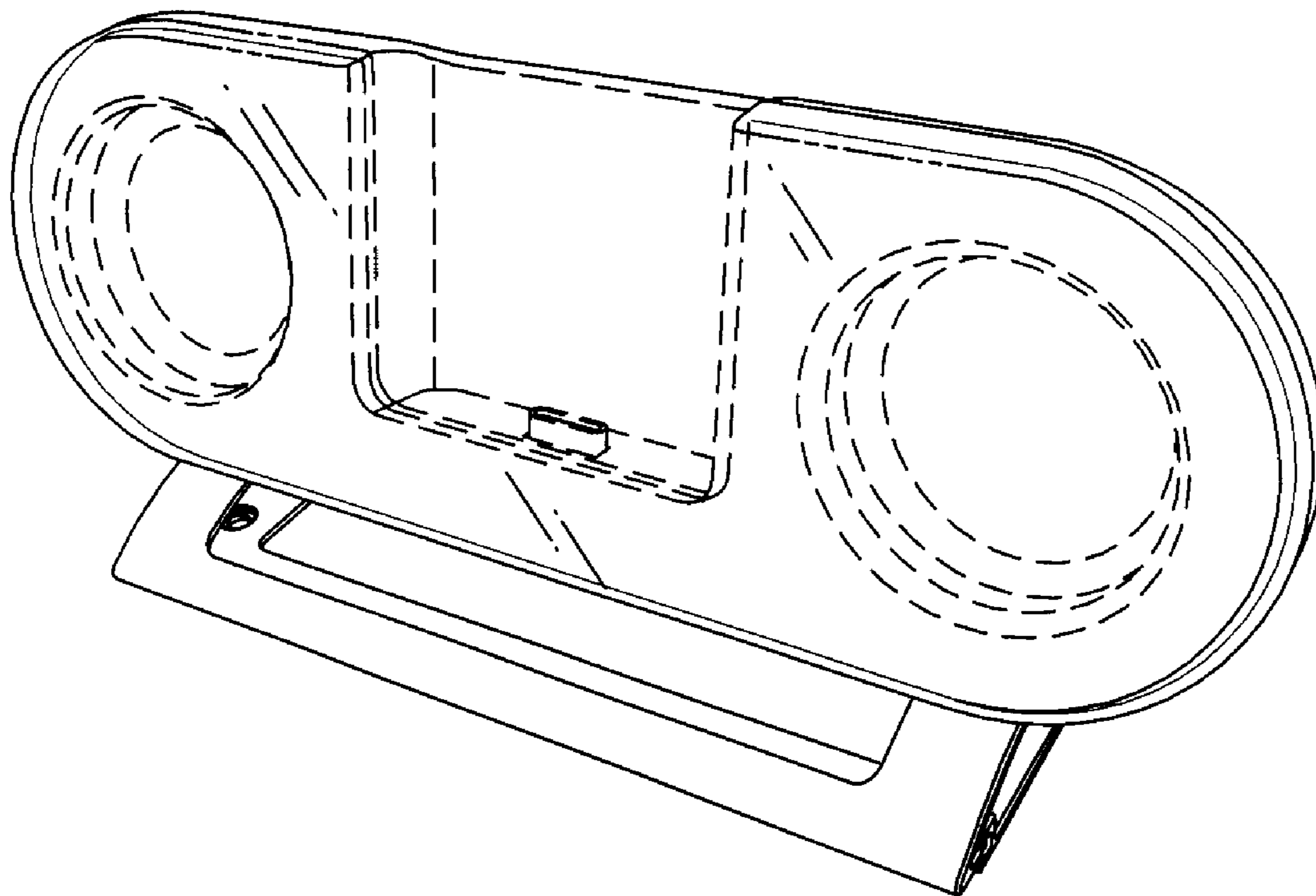


FIG. 9

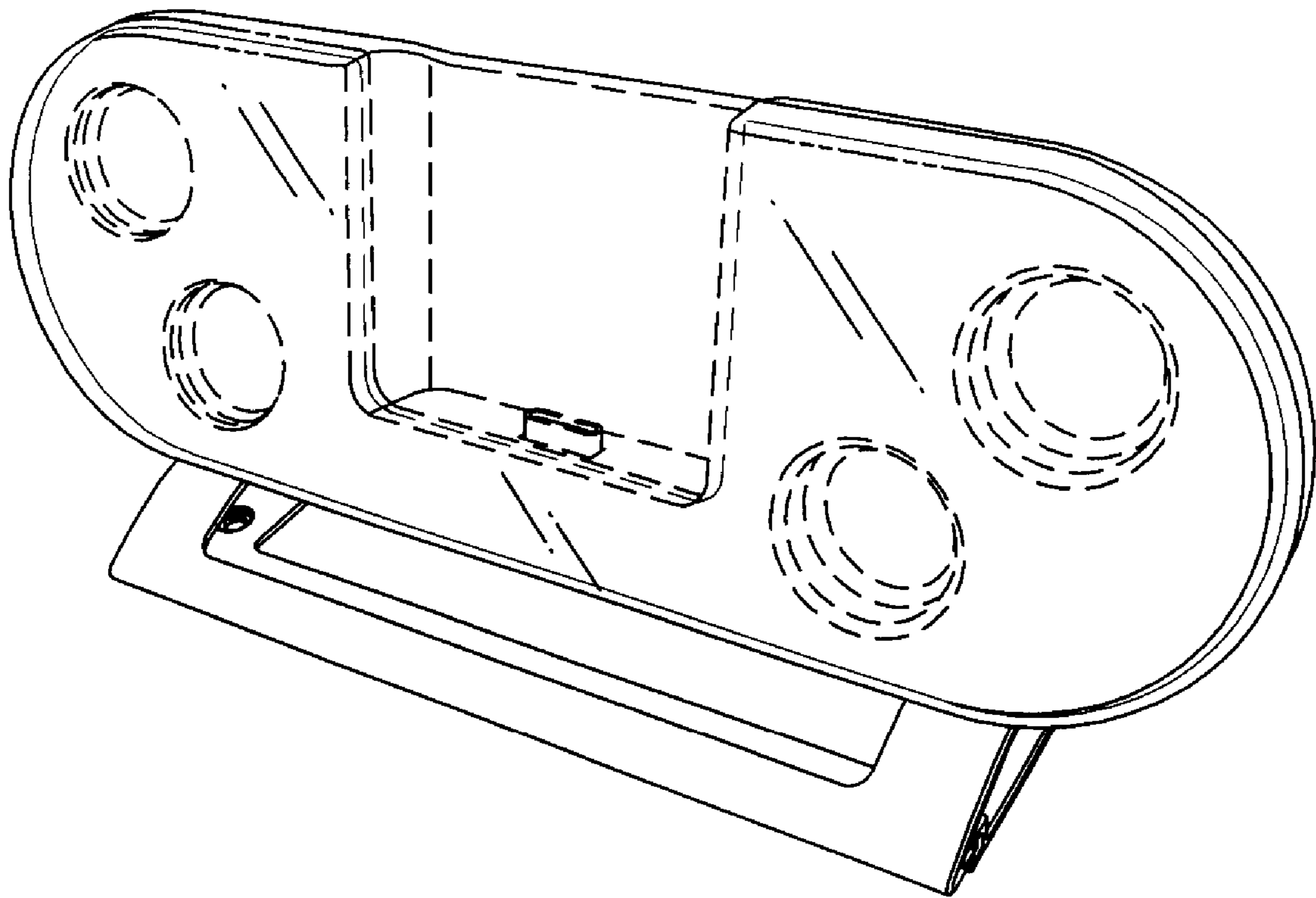


FIG. 10

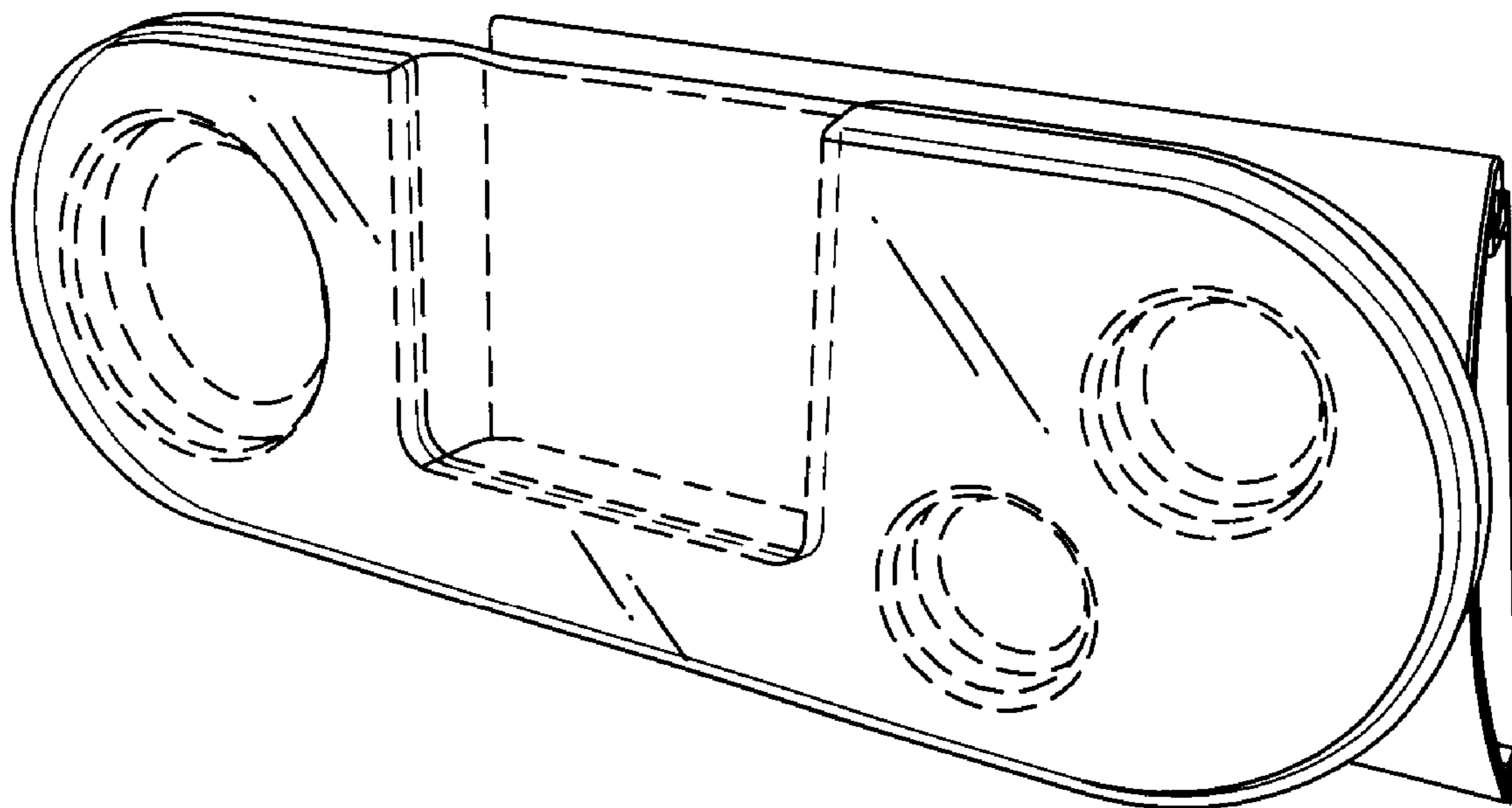


FIG. 11