



US00D527721S

(12) **United States Design Patent**
Tien

(10) **Patent No.:** **US D527,721 S**

(45) **Date of Patent:** **** Sep. 5, 2006**

(54) **CARABINEER RADIO**

(76) **Inventor:** **Kuang-Hsia Tien**, 475 E. Duarte Rd.,
Monrovia, CA (US) 91015

(**) **Term:** **14 Years**

(21) **Appl. No.:** **29/236,417**

(22) **Filed:** **Aug. 16, 2005**

(51) **LOC (8) Cl.** **14-03**

(52) **U.S. Cl.** **D14/188**

(58) **Field of Classification Search** D14/156,
D14/157, 160-165, 167, 168, 193-198, 135-138,
D14/188; 455/344-351; 369/1, 6, 7, 12
See application file for complete search history.

(56) **References Cited**

U.S. PATENT DOCUMENTS

5,005,266	A	*	4/1991	Fister et al.	24/601.5
6,192,253	B1	*	2/2001	Charlier et al.	455/575.7
6,330,430	B1	*	12/2001	Jensfelt	455/575.8
D479,221	S	*	9/2003	Wong	D14/192
D485,254	S	*	1/2004	Tien	D14/188
D501,843	S	*	2/2005	Oas	D14/188

D502,936	S	*	3/2005	Oas	D14/188
D505,938	S	*	6/2005	Tse	D14/196
6,975,842	B1	*	12/2005	Chen	455/90.3
D516,056	S	*	2/2006	Hsiau	D14/188

* cited by examiner

Primary Examiner—Prabhakar Deshmukh

(74) *Attorney, Agent, or Firm*—Clement Cheng

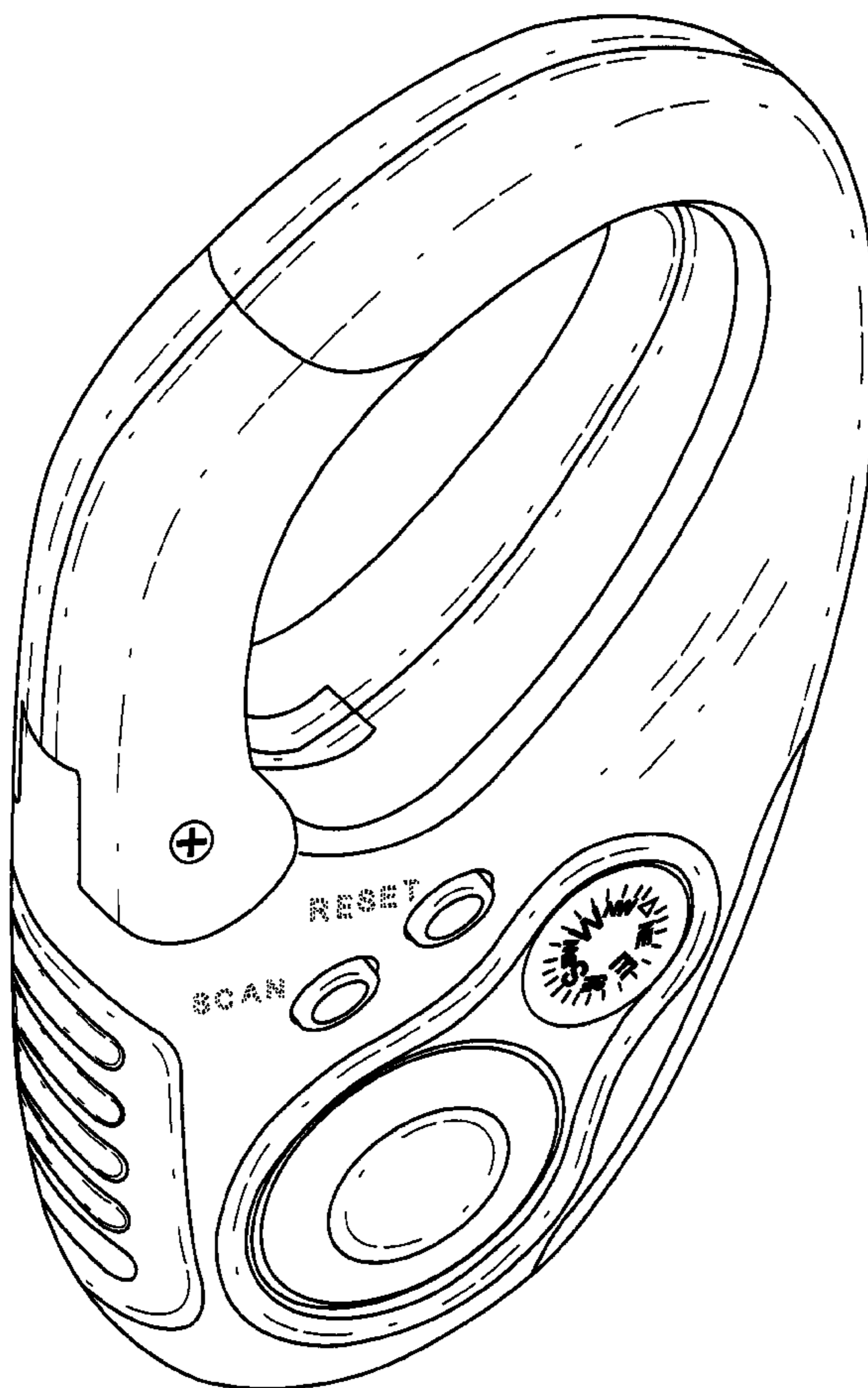
(57) **CLAIM**

The ornamental design for a carabineer radio, as shown and described.

DESCRIPTION

FIG. 1 is a perspective view of a carabineer radio showing my new design;
FIG. 2 is a front elevational view thereof;
FIG. 3 is a right side elevational view thereof;
FIG. 4 is a left side elevational view thereof;
FIG. 5 is a top plan view thereof;
FIG. 6 is a rear elevational view thereof; and,
FIG. 7 is a bottom plan view thereof, with the cap shown in alternate position.
FIGS. 5-7 are drawn in reduced scale.

1 Claim, 3 Drawing Sheets



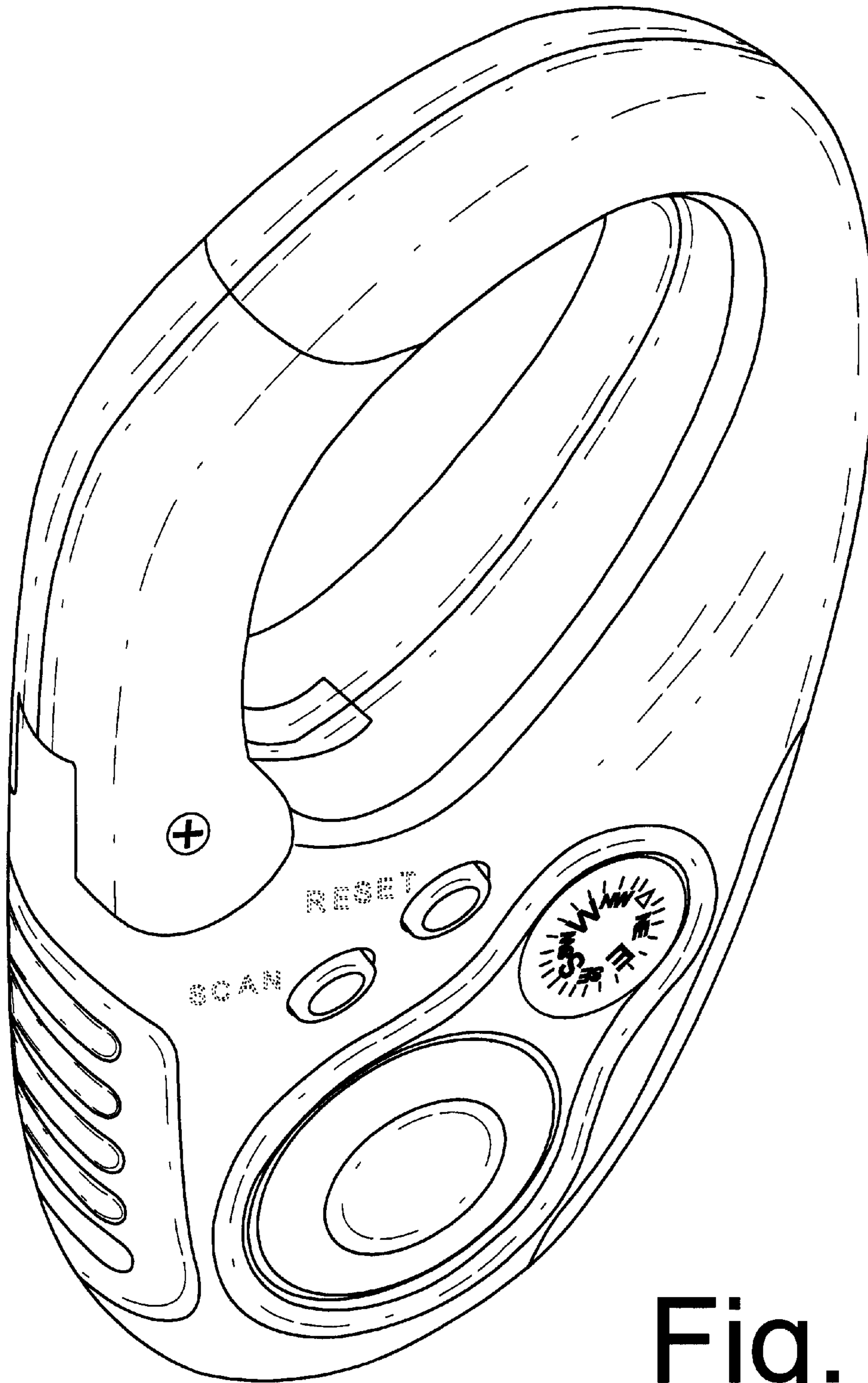


Fig. 1

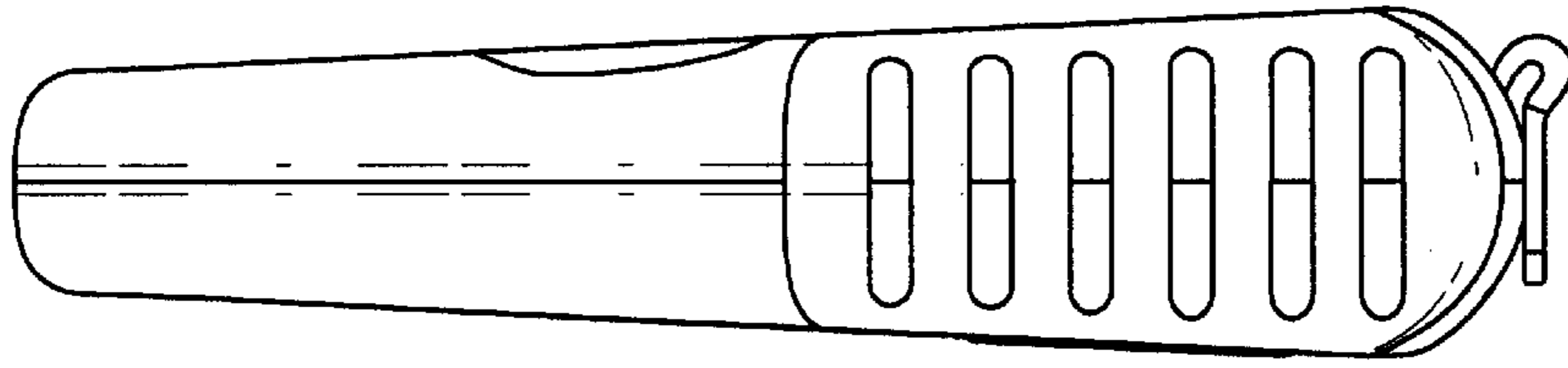


Fig. 3

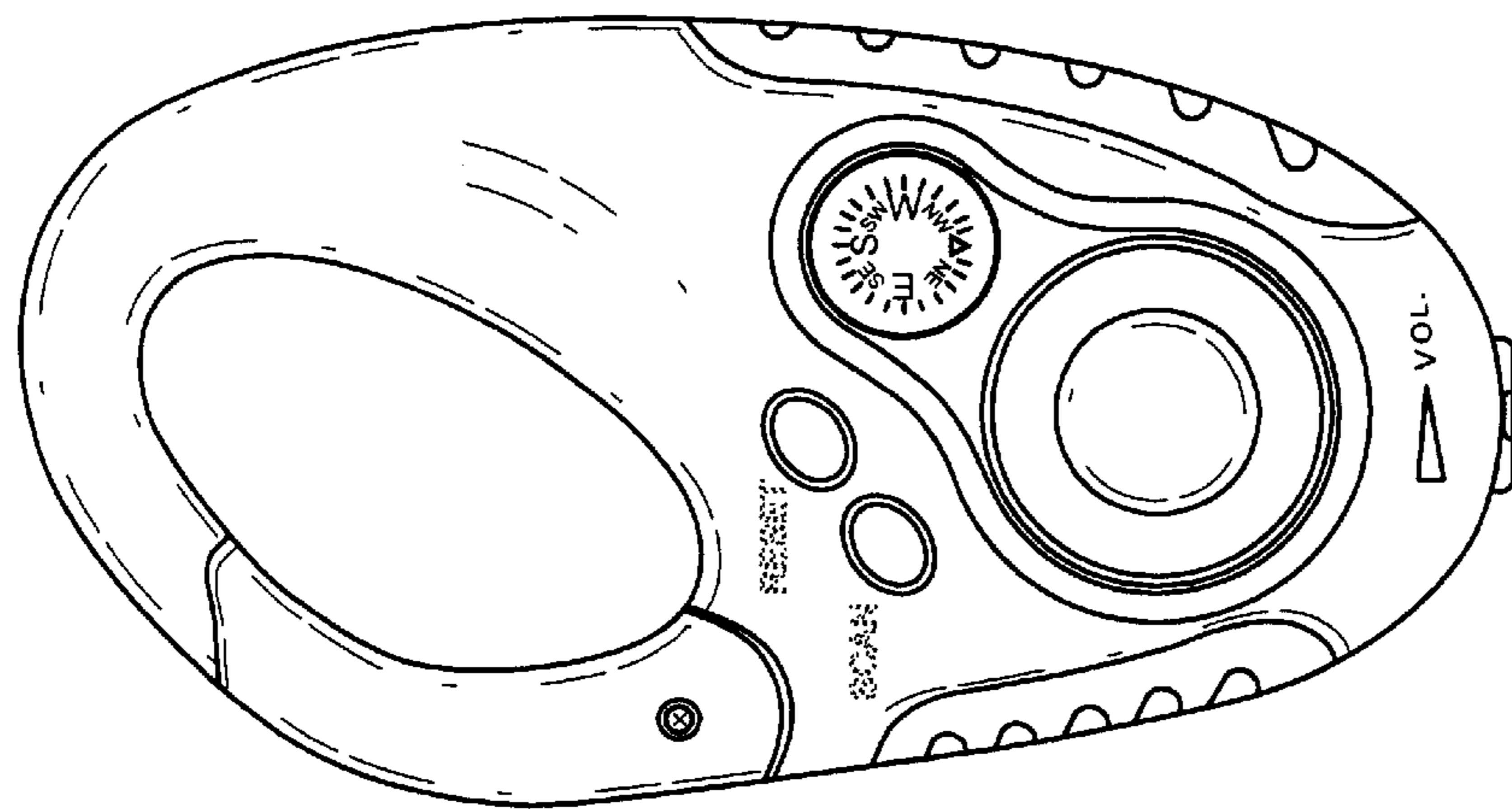


Fig. 2

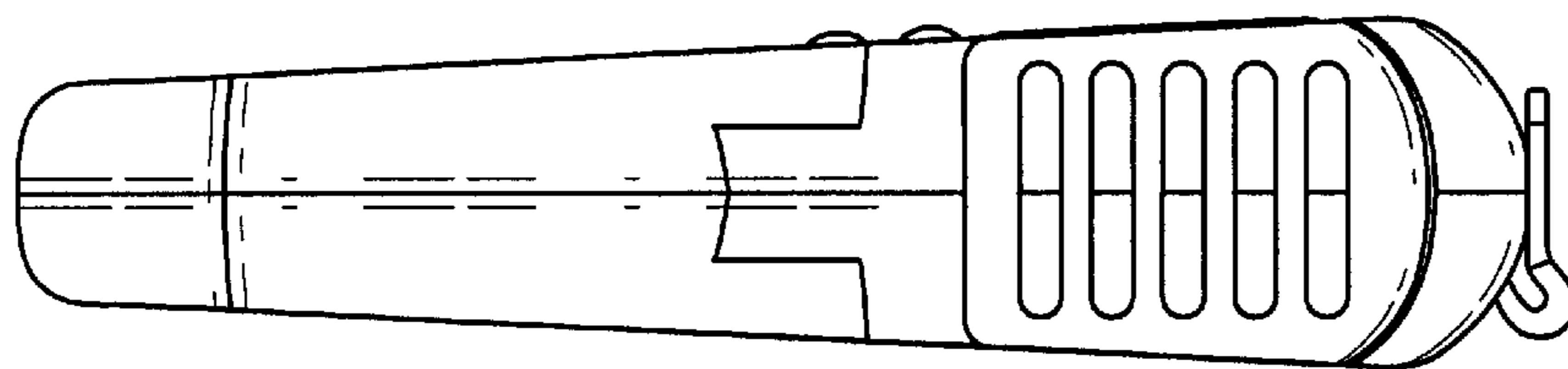


Fig. 4

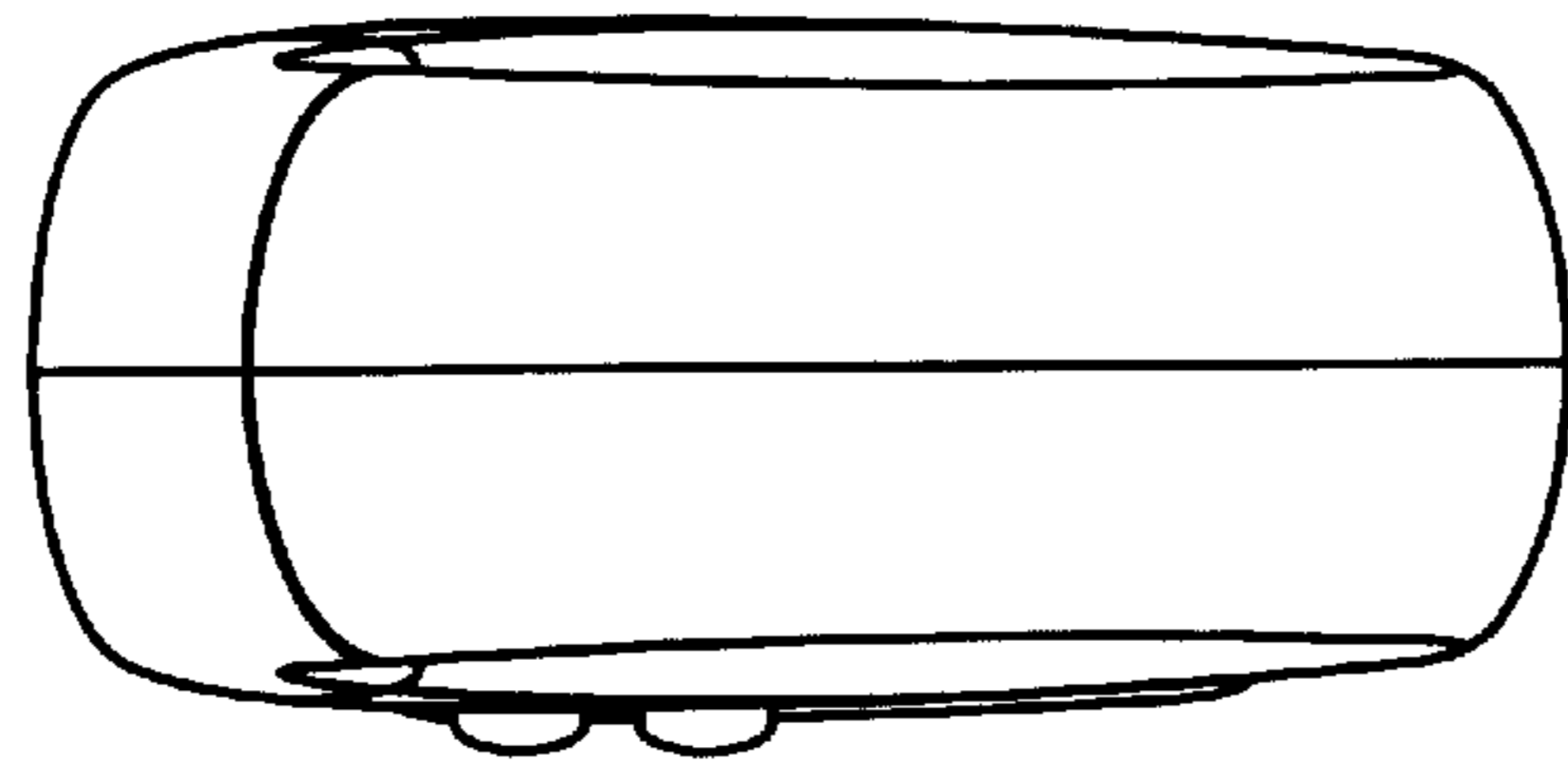


Fig. 5

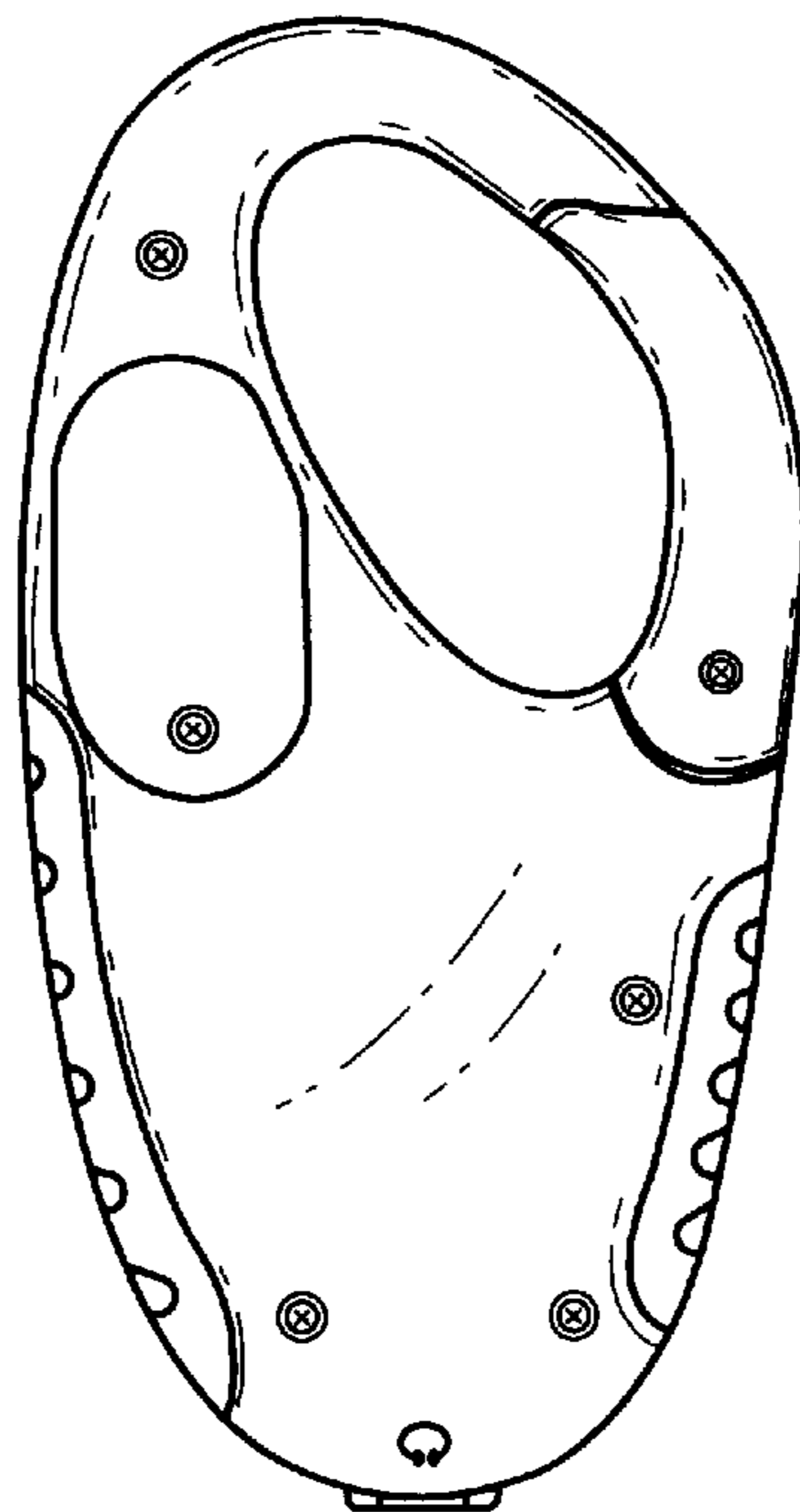


Fig. 6

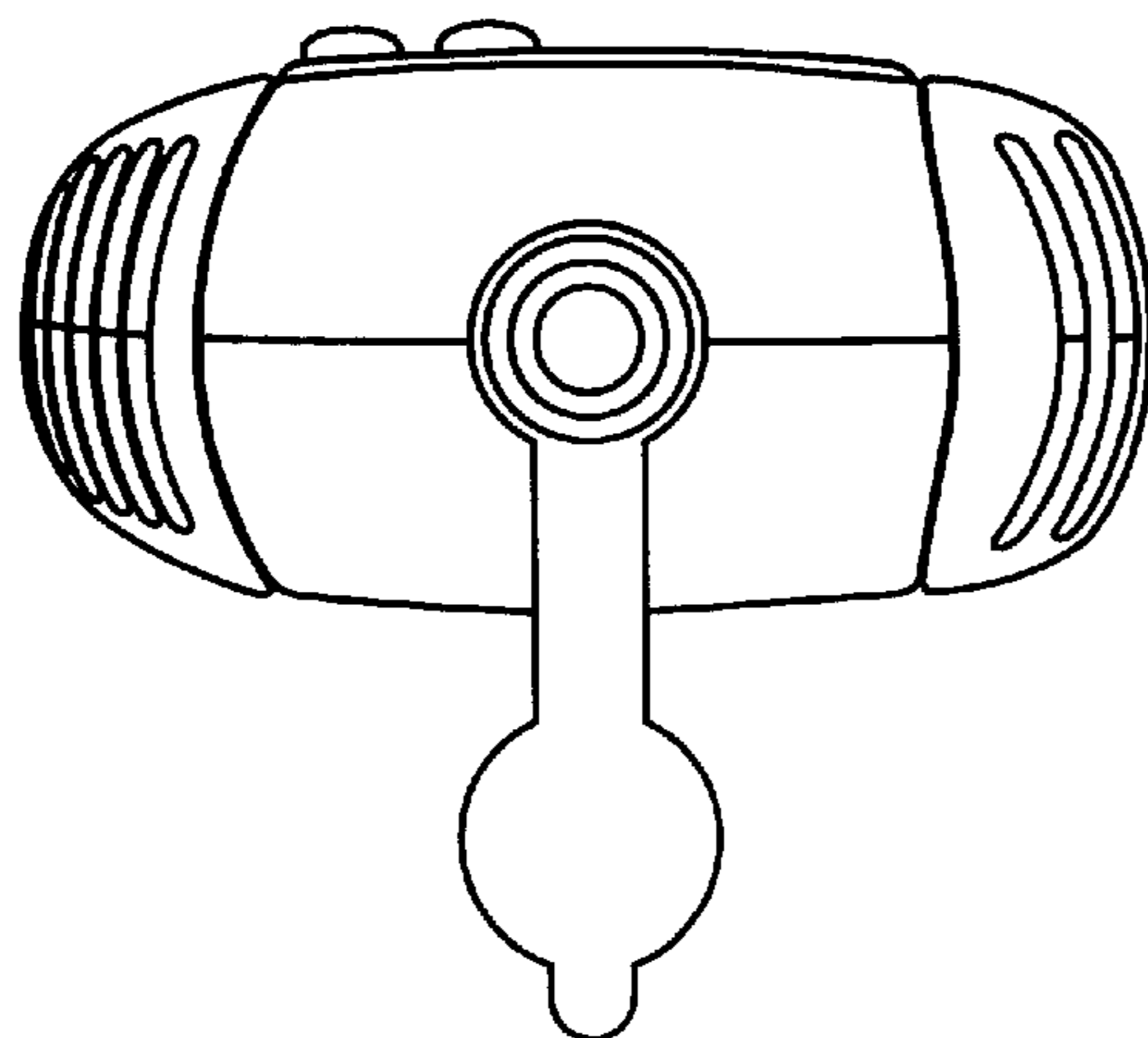


Fig. 7