



US00D527718S

(12) **United States Design Patent**
Shin

(10) **Patent No.:** **US D527,718 S**
(45) **Date of Patent:** **** Sep. 5, 2006**

(54) **PORTABLE TERMINAL**

(75) Inventor: **Cheol Woong Shin**, Seoul (KR)

(73) Assignee: **LG Electronics Inc.**, Seoul (KR)

(**) Term: **14 Years**

(21) Appl. No.: **29/228,207**

(22) Filed: **Apr. 21, 2005**

(30) **Foreign Application Priority Data**

Oct. 21, 2004 (KR) 30-2004-0032206

(51) **LOC (8) Cl.** **14-03**

(52) **U.S. Cl.** **D14/138**

(58) **Field of Classification Search** D14/137,
D14/138, 144, 147-148, 247-248, 341-347;
D16/208; 379/433.01-433.13; 455/575.4,
455/566, 575.1, 556.1, 556.2, 90.3
See application file for complete search history.

(56) **References Cited**

U.S. PATENT DOCUMENTS

D495,695 S *	9/2004	Yugaya	D14/346
D498,736 S *	11/2004	Lee	D14/138
6,822,871 B1 *	11/2004	Lee et al.	361/727
D500,992 S *	1/2005	Shen et al.	D14/138
D503,162 S *	3/2005	Kagami et al.	D14/138
D503,164 S *	3/2005	Park et al.	D14/138
D508,240 S *	8/2005	Lee et al.	D14/138
D508,473 S *	8/2005	Lee et al.	D14/138
D508,688 S *	8/2005	Lee et al.	D14/138
D511,342 S *	11/2005	Chien	D14/346
D512,702 S *	12/2005	Lee et al.	D14/138
D513,740 S *	1/2006	Park et al.	D14/138
D514,079 S *	1/2006	Lai	D14/138
D515,060 S *	2/2006	Lee et al.	D14/138
D516,531 S *	3/2006	Hwang	D14/138
2005/0020327 A1 *	1/2005	Chung et al.	455/575.3
2005/0107126 A1 *	5/2005	Kim	455/565
2005/0266897 A1 *	12/2005	Ahn et al.	455/575.1
2006/0019714 A1 *	1/2006	Lee et al.	455/566

FOREIGN PATENT DOCUMENTS

JP 1160810 * 12/2002

OTHER PUBLICATIONS

“Nokia 6280”, 3 pp including photos, [online], <URL:www.gsmarena.com/nokia_6280-1199.php>, site visited Mar. 12, 2006.*

“Siemens AL21”, 2 pp including photos, [online], <URL:www.gsmarena.com/siemens_a121-1379.php>, site visited Mar. 12, 2006.*

“Samsung D510”, 2 pp including photos, [online], <URL:www.gsmarena.com/samsung_d510-1130.php>, site visited Mar. 12, 2006.*

“Samsung E860”, 2 pp including photos, [online], <URL:www.gsmarena.com/samsung_e860-1340.php>, site visited Mar. 12, 2006.*

* cited by examiner

Primary Examiner—Jeffrey Asch

Assistant Examiner—Carla Jobe Wright

(74) *Attorney, Agent, or Firm*—Birch, Stewart, Kolasch & Birch, LLP

(57) **CLAIM**

The ornamental design for a portable terminal, as shown and described.

DESCRIPTION

FIG. 1 is a front, right perspective view of the portable terminal showing my new design;
FIG. 2 is a front view thereof;
FIG. 3 is a rear view thereof;
FIG. 4 is a left side view thereof;
FIG. 5 is a right side view thereof;
FIG. 6 is a top view thereof;
FIG. 7 is a bottom view thereof; and,
FIG. 8 is a front, right view showing a sliding state of the display part of the present design.

1 Claim, 7 Drawing Sheets

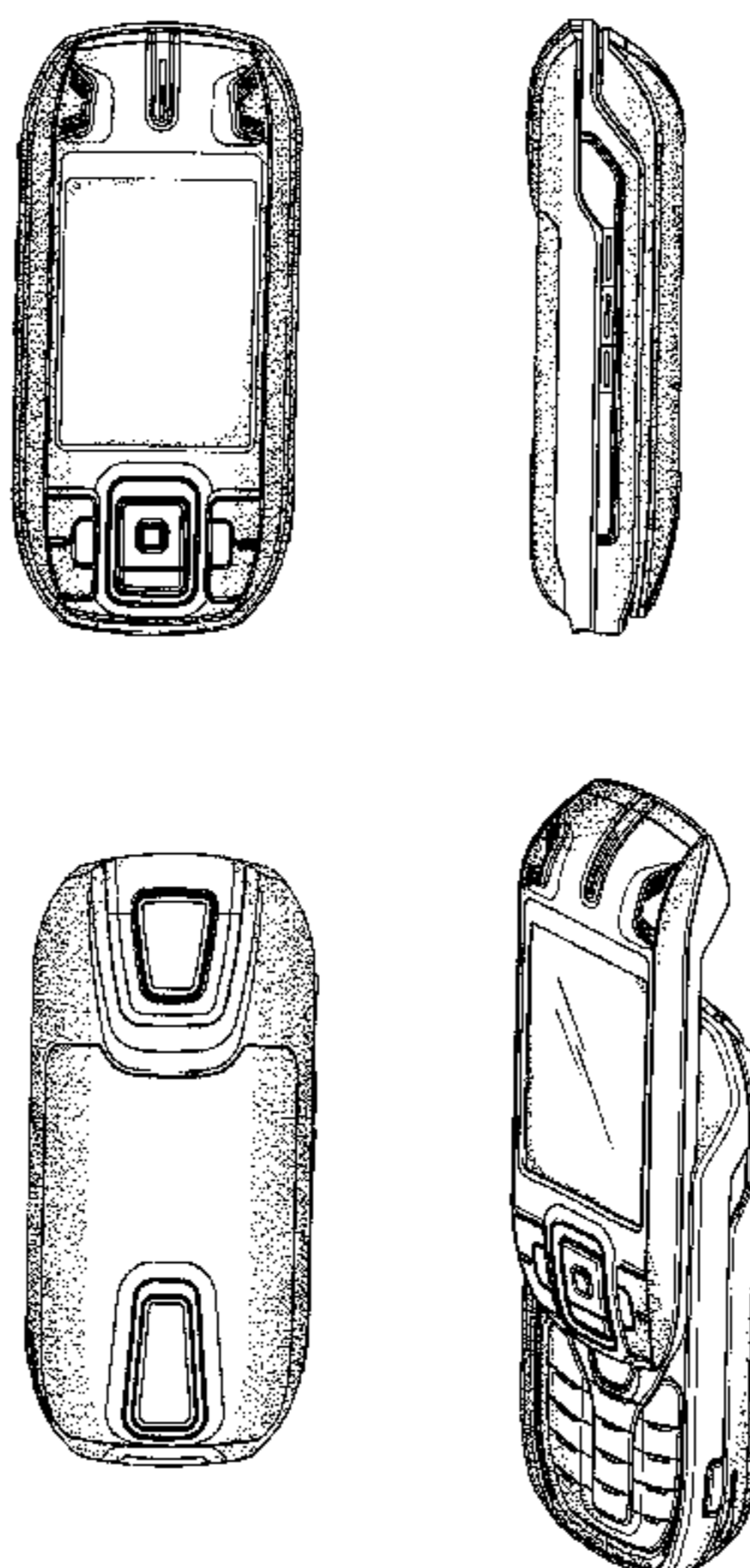


Fig. 1

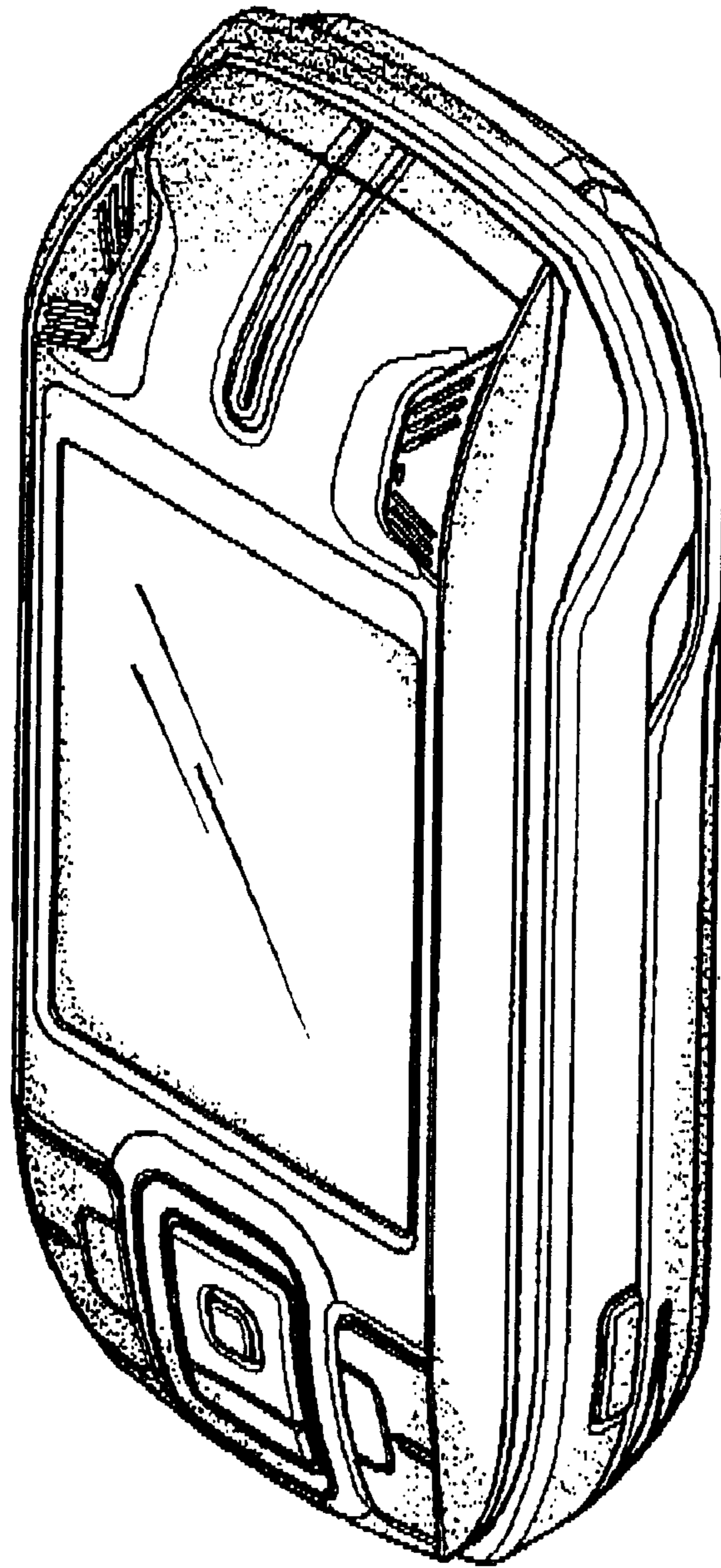


Fig. 2

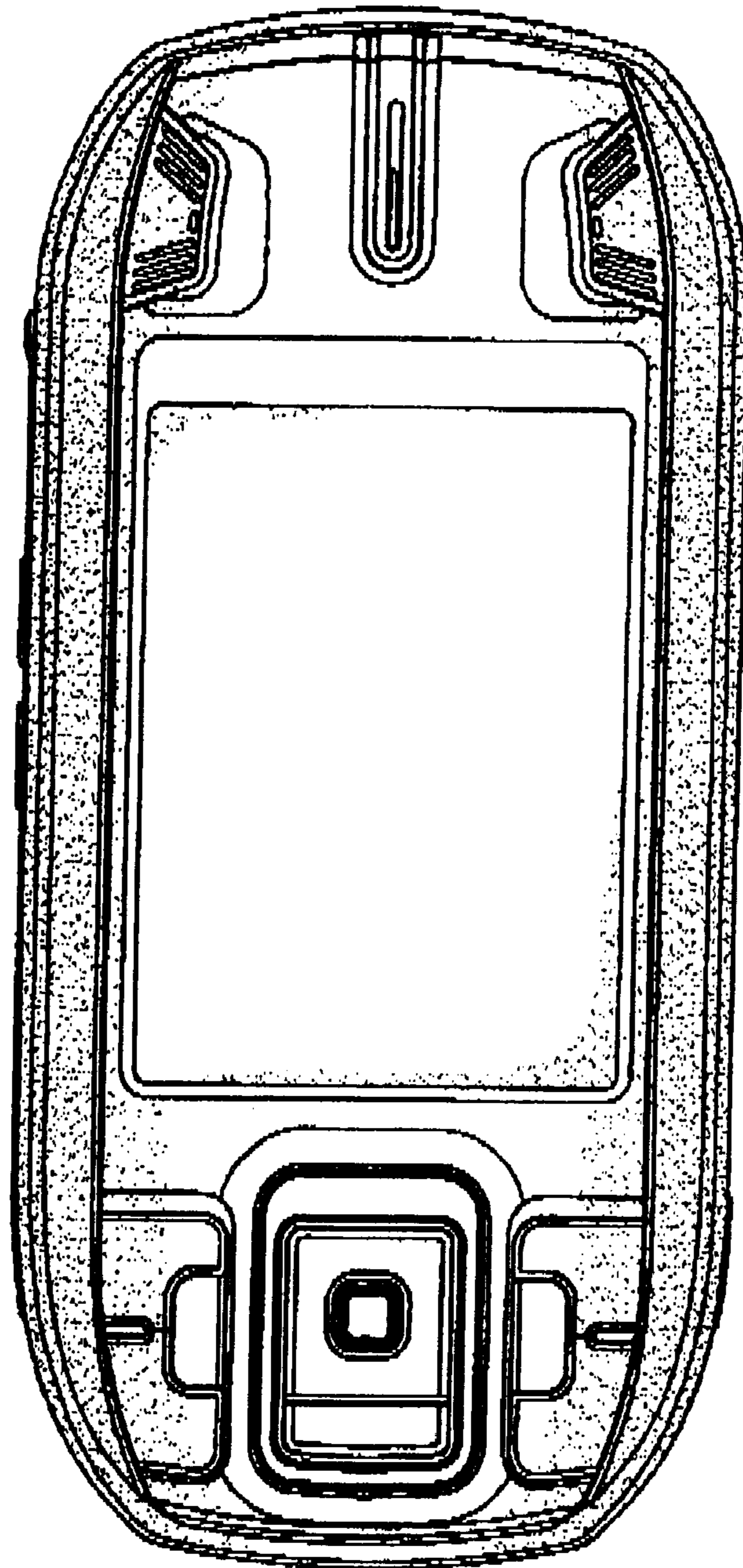


Fig. 3

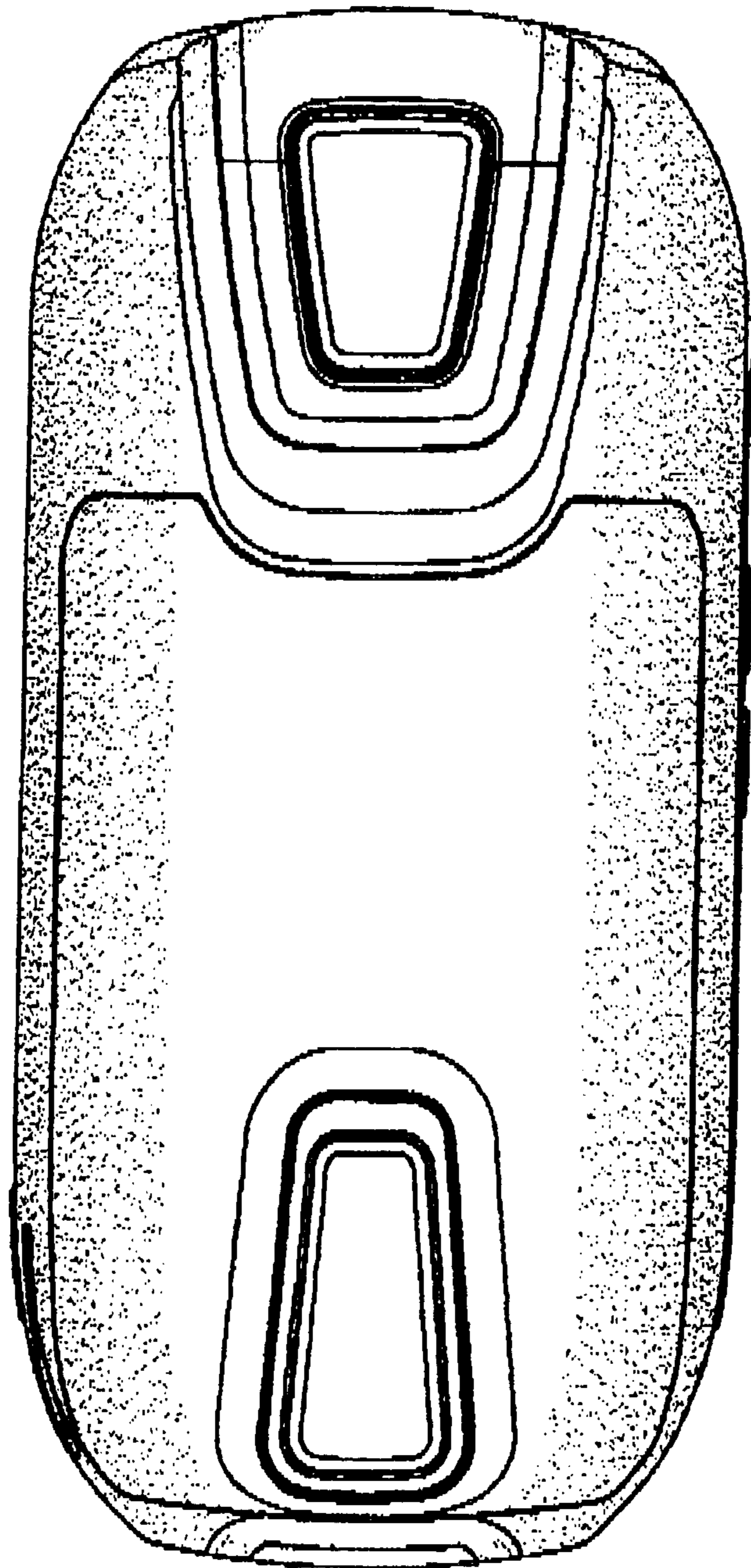


Fig. 4

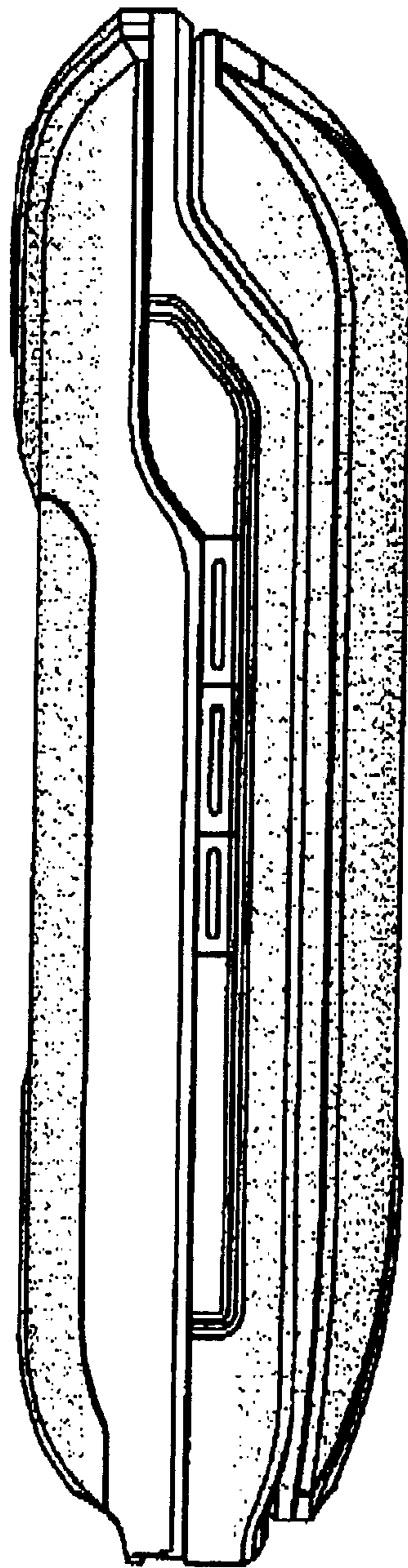


Fig. 5

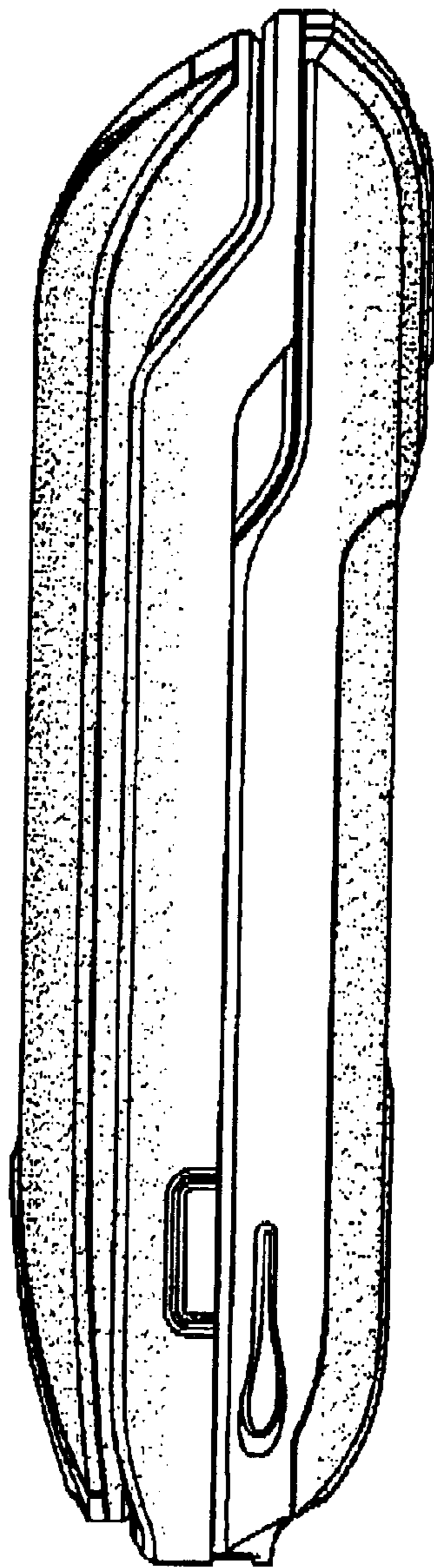


Fig. 6

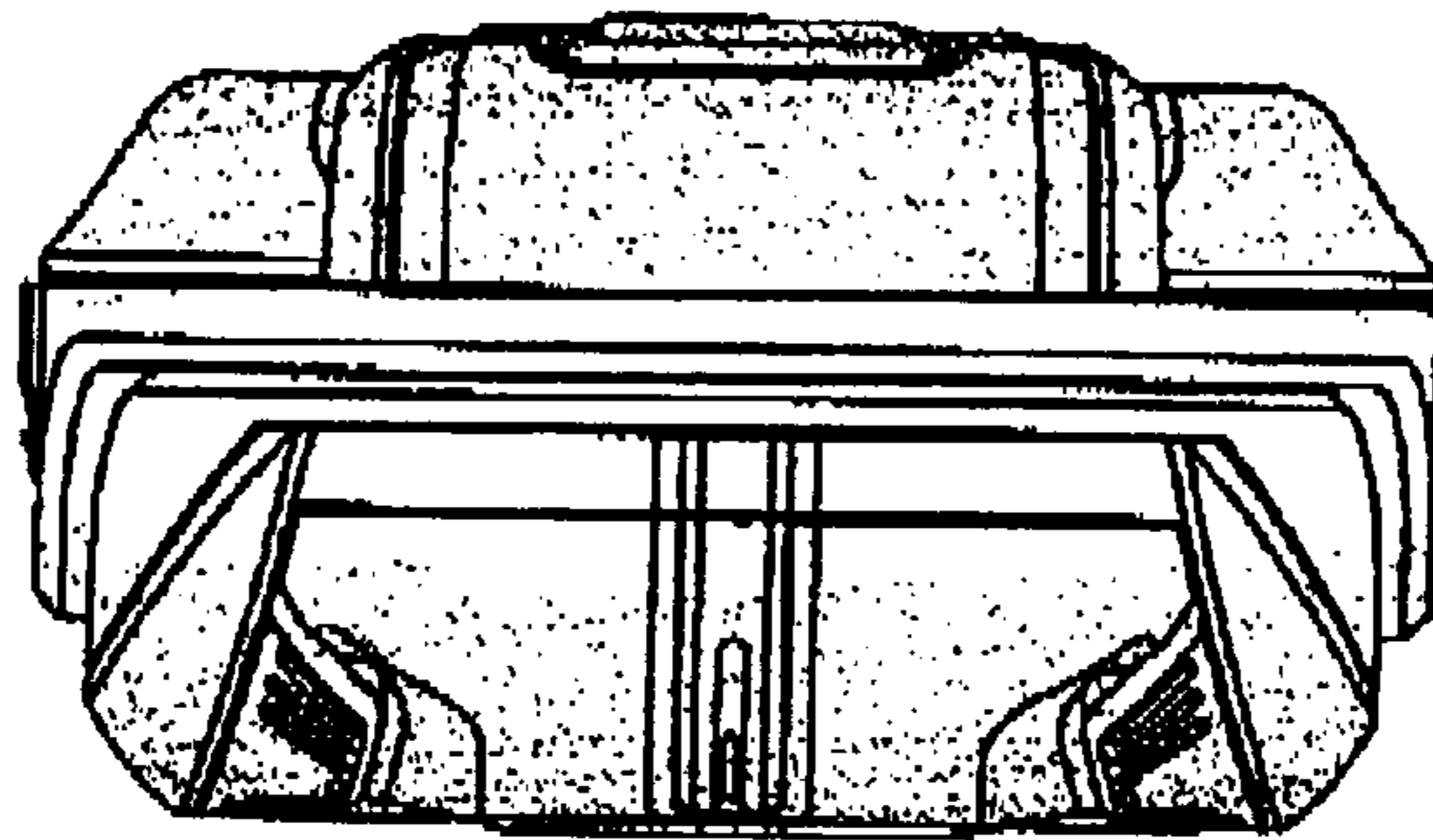


Fig. 7

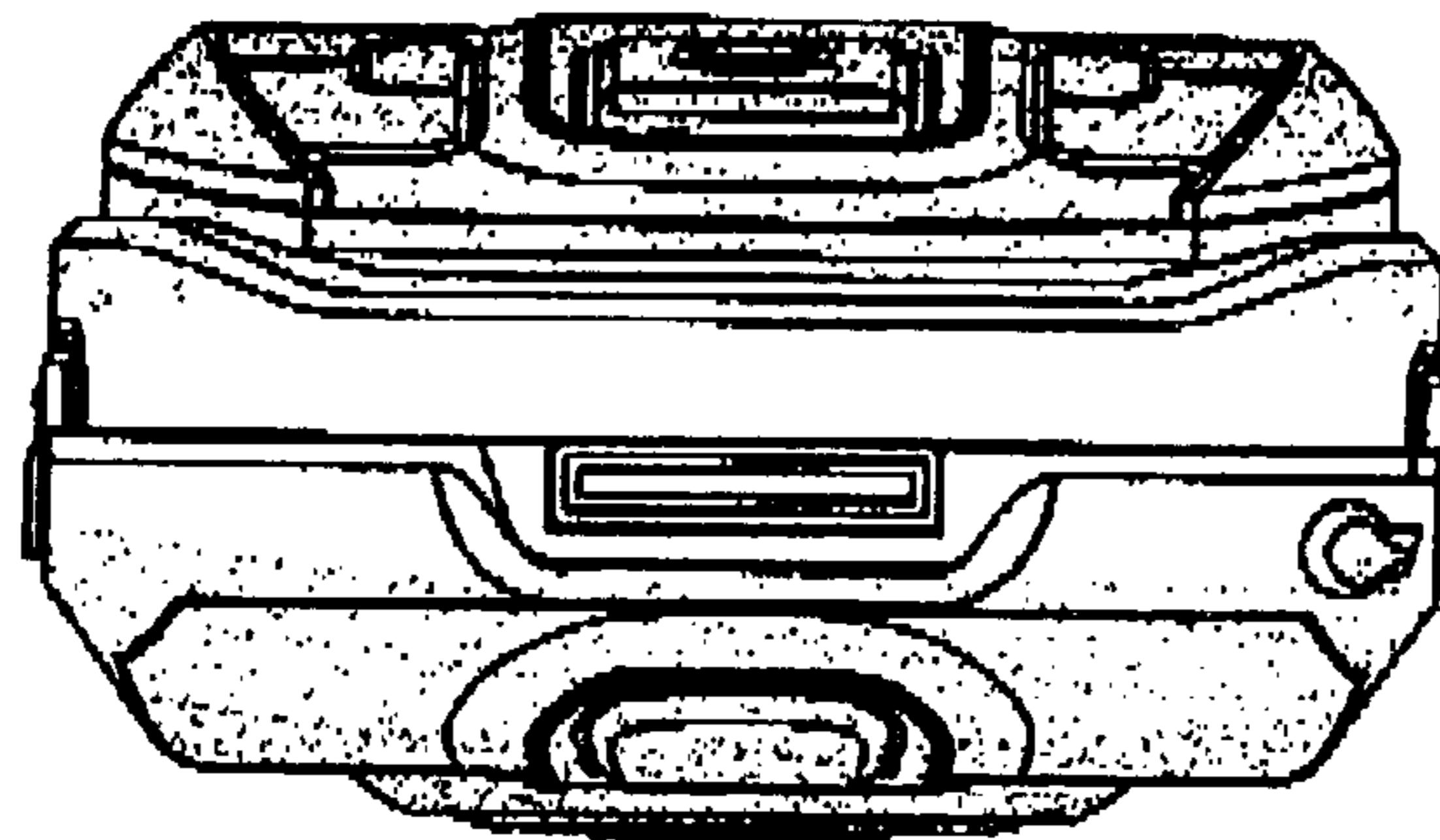


Fig.8

