

US00D527713S

(12) **United States Design Patent**
Indio da Costa

(10) **Patent No.:** **US D527,713 S**

(45) **Date of Patent:** **** Sep. 5, 2006**

(54) **DIMMER**

(75) **Inventor:** **Luiz Augusto Indio da Costa**, Rio de Janeiro (BR)

(73) **Assignee:** **Luigi Fernando Milone**, Rio de Janeiro (BR)

(**) **Term:** **14 Years**

(21) **Appl. No.:** **29/215,688**

(22) **Filed:** **Oct. 22, 2004**

(51) **LOC (8) Cl.** **13-03**

(52) **U.S. Cl.** **D13/171**

(58) **Field of Classification Search** D13/171;
174/66; 200/5 R, 5 A, 6 R, 293, 294, 296,
200/297, 333, 329, 336; 315/291; 361/679
See application file for complete search history.

(56) **References Cited**

U.S. PATENT DOCUMENTS

3,949,347	A	*	4/1976	Gilbreath	338/172
3,997,820	A	*	12/1976	Stefani	361/820
D271,373	S	*	11/1983	Spira et al.	D8/302
4,724,286	A	*	2/1988	Cummins	200/4

D304,442	S	*	11/1989	Fenne	D13/169
D316,248	S	*	4/1991	Dob	D13/162
D479,205	S	*	9/2003	Krajci et al.	D13/171
6,774,328	B1	*	8/2004	Adams et al.	200/329
2003/0209996	A1	*	11/2003	Adams et al.	315/291

* cited by examiner

Primary Examiner—Stella Reid
Assistant Examiner—Selina Sikder

(74) *Attorney, Agent, or Firm*—D. Peter Hochberg; Sean Mellino; Katherine R. Vieyra

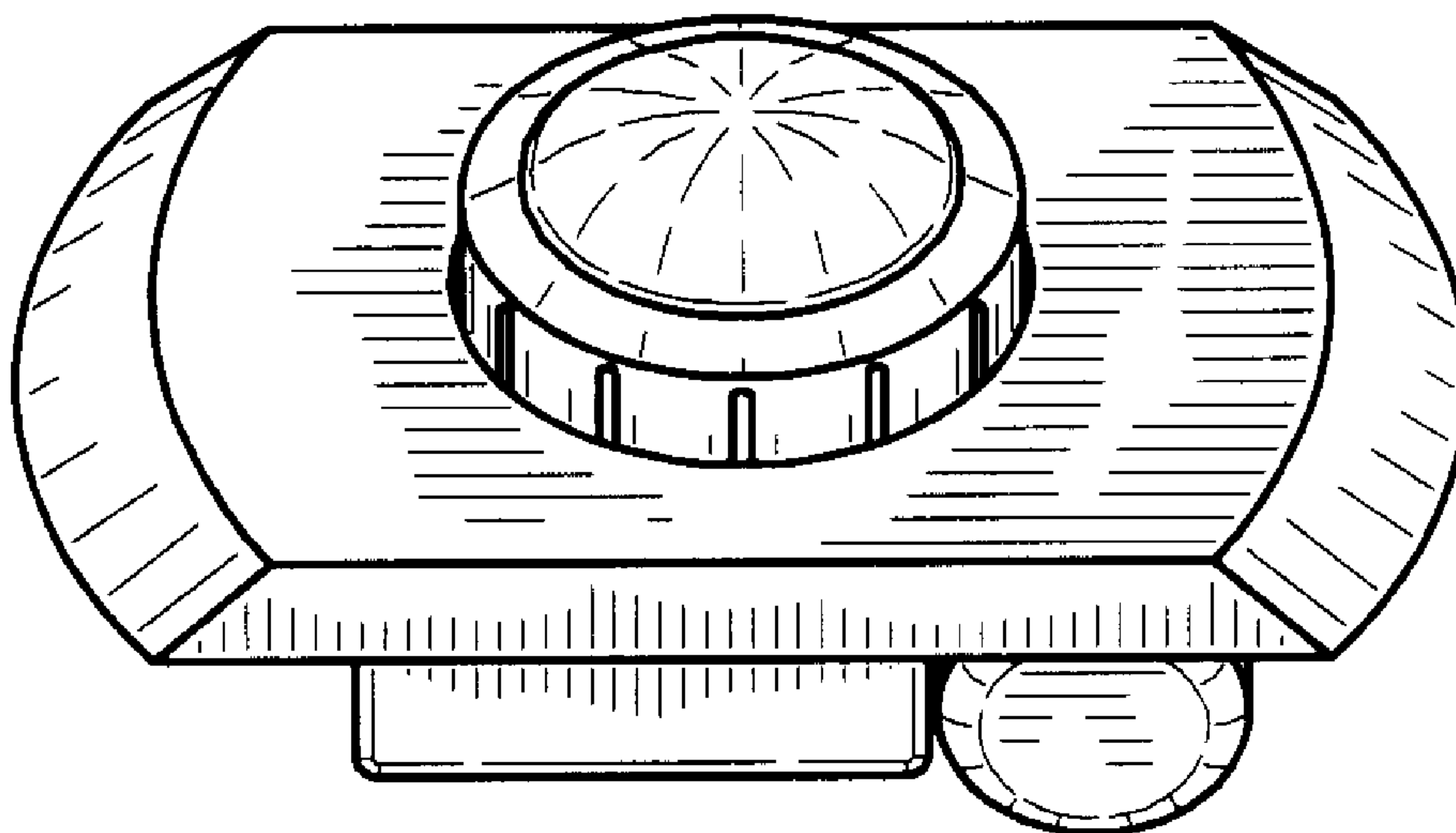
(57) **CLAIM**

The ornamental design for a dimmer, as shown and described.

DESCRIPTION

FIG. 1 is a front elevation view of the dimmer according to the invention;
FIG. 2 is a back view of the dimmer as shown in FIG. 1;
FIG. 3 is a side view of the dimmer as shown in FIG. 1, the opposite side being a mirror image of that shown; and,
FIG. 4 is a perspective view of the dimmer as shown in FIG. 1.

1 Claim, 2 Drawing Sheets



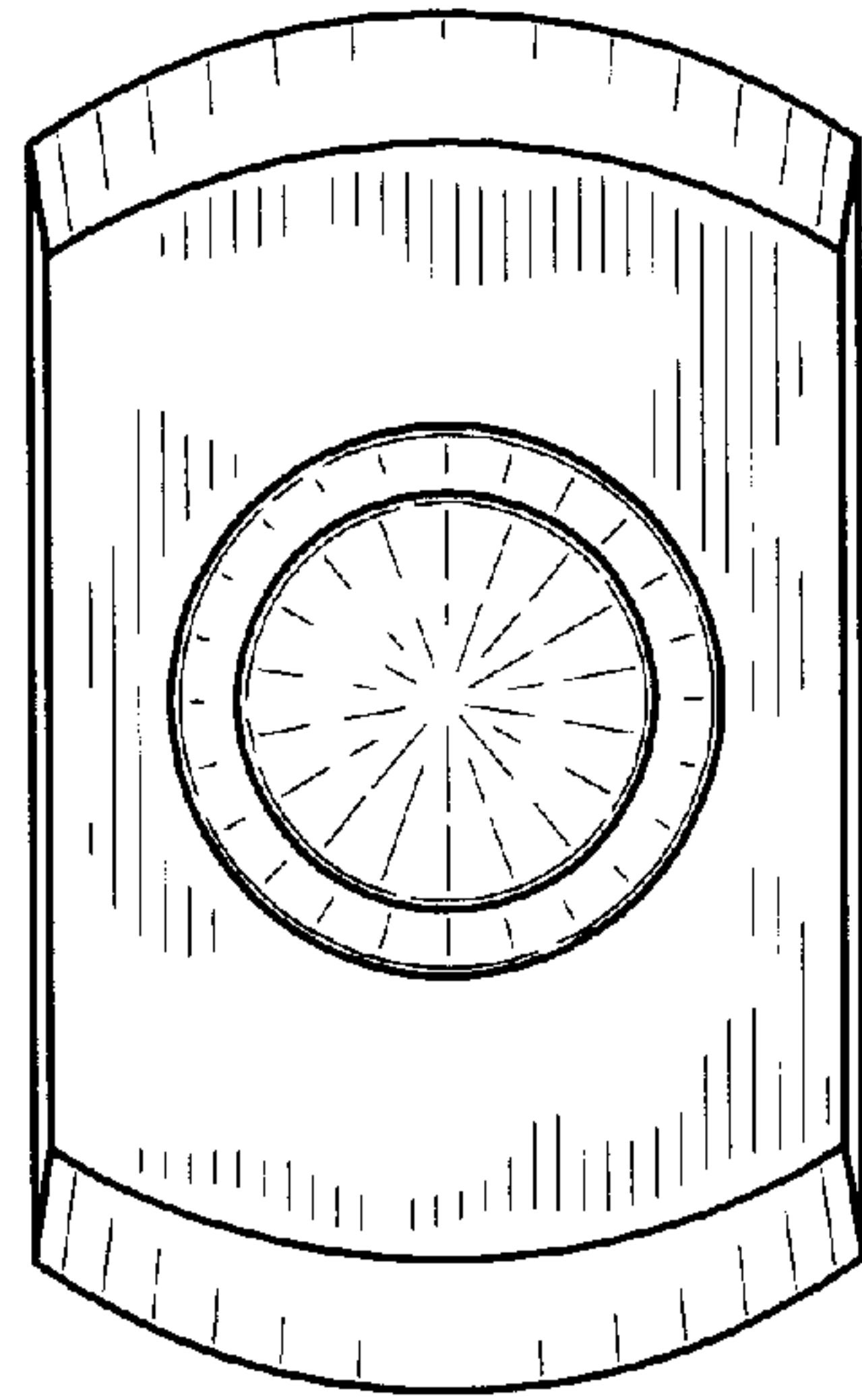


FIG-1

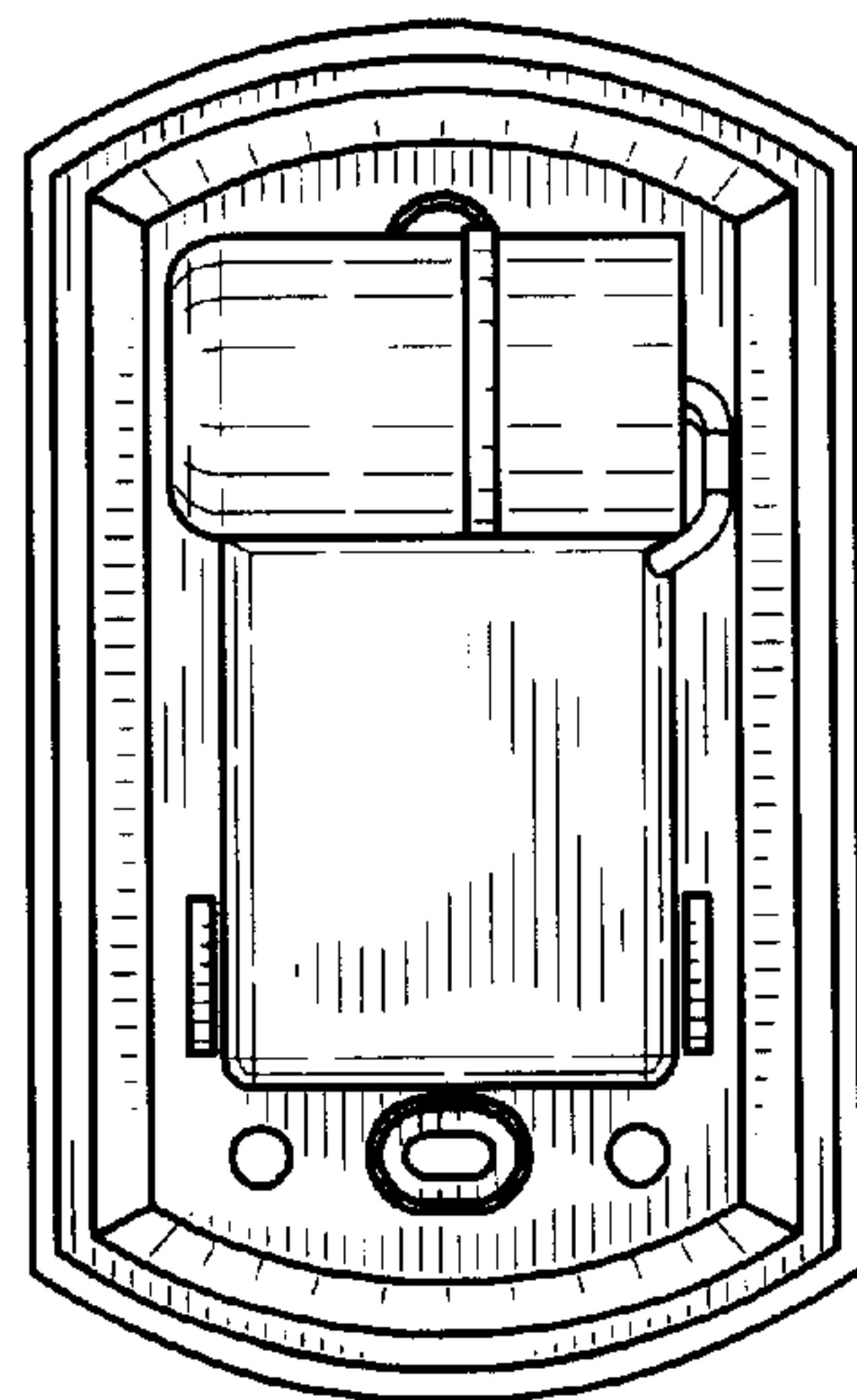


FIG-2

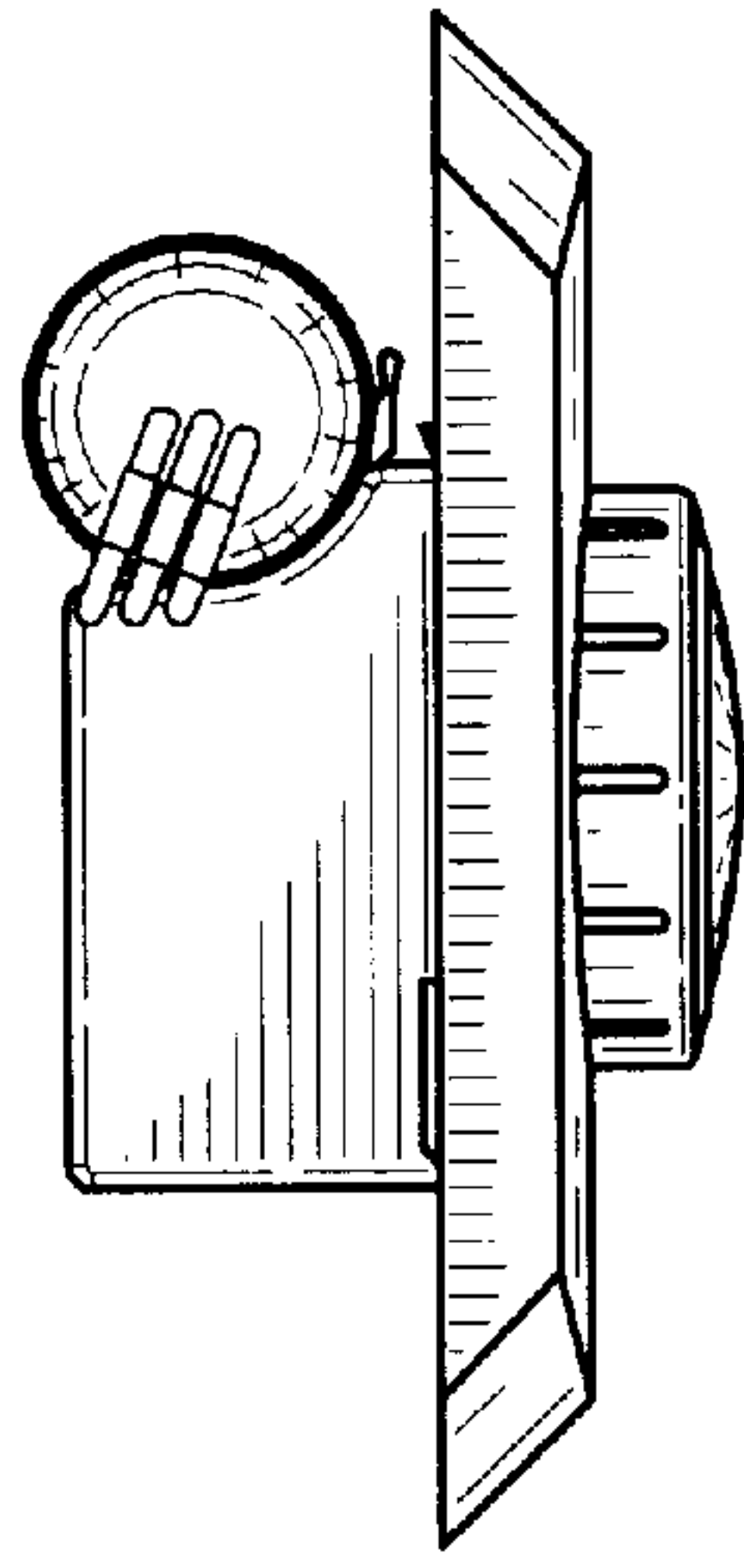


FIG-3

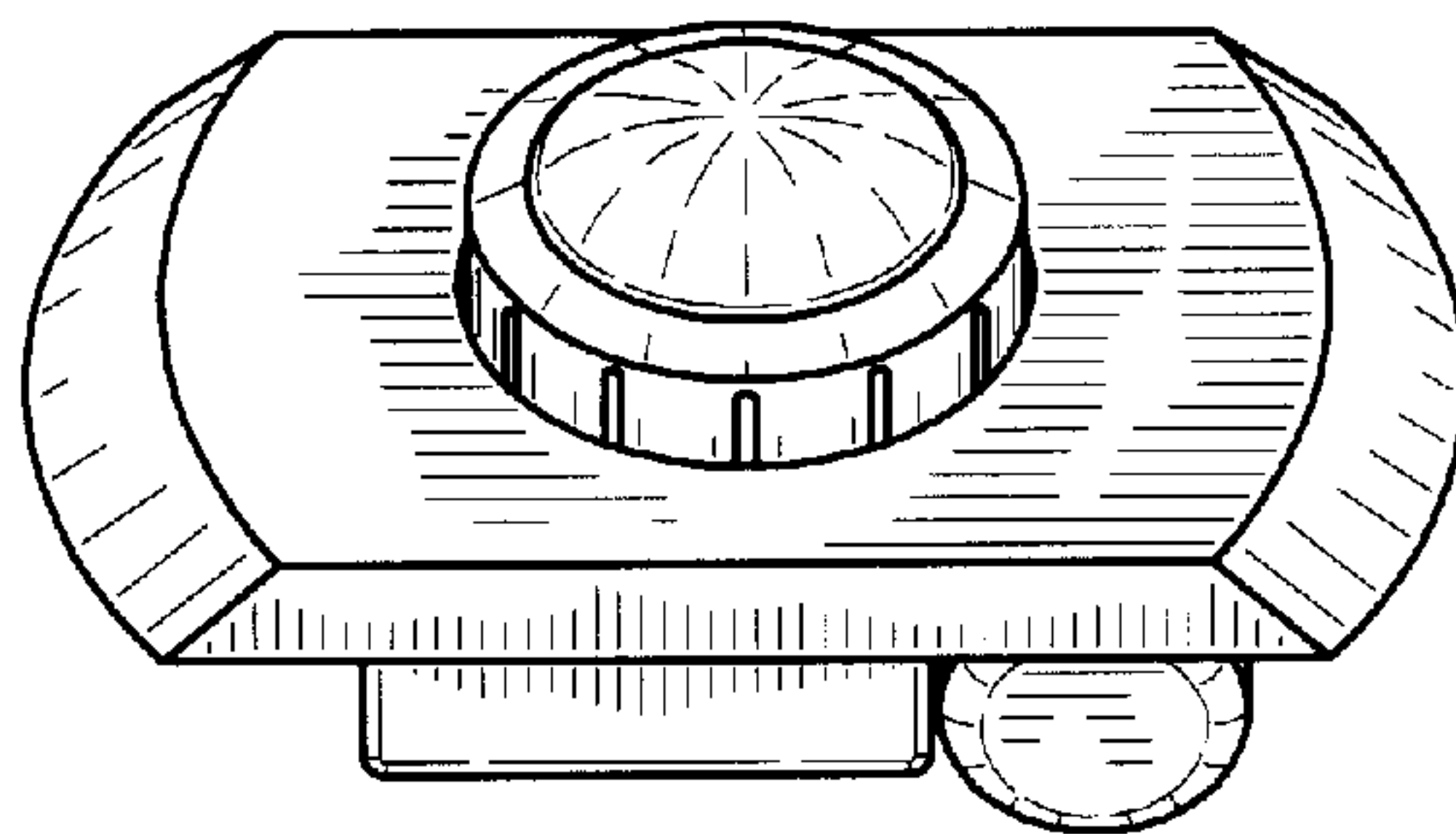


FIG-4