



US00D527709S

(12) **United States Design Patent**
Kuo

(10) **Patent No.:** **US D527,709 S**

(45) **Date of Patent:** **** Sep. 5, 2006**

(54) **CABLE CONNECTOR ASSEMBLY**

6,508,678 B1 * 1/2003 Yang 439/677
D478,548 S * 8/2003 Wu D13/133

(75) Inventor: **Peter Kuo**, Tu-Cheng (TW)

* cited by examiner

(73) Assignee: **Hon Hai Precision Ind. Co., Ltd.**,
Taipei Hsien (TW)

Primary Examiner—Stella Reid
Assistant Examiner—Daniel Bui

(**) Term: **14 Years**

(74) *Attorney, Agent, or Firm*—Wei Te Chung

(21) Appl. No.: **29/244,208**

(57) **CLAIM**

(22) Filed: **Dec. 7, 2005**

The ornamental design for a cable connector assembly, as shown.

(30) **Foreign Application Priority Data**

DESCRIPTION

Jun. 7, 2005 (CN) 2005 3 0084731

(51) **LOC (8) Cl.** **13-03**

(52) **U.S. Cl.** **D13/147**

(58) **Field of Classification Search** D13/133,
D13/146–147, 154, 184, 199; 439/352–353,
439/357–358, 677–681, 607, 610, 686
See application file for complete search history.

FIG. 1 is a front, top and right side perspective view of a cable connector assembly showing the first embodiment of my new design;

FIG. 2 is a front elevational view thereof;

FIG. 3 is a rear elevational view thereof;

FIG. 4 is a left side elevational view thereof;

FIG. 5 is a right side elevational view thereof;

FIG. 6 is a top plan view thereof;

FIG. 7 is a bottom plan view thereof;

FIG. 8 is a front, top and right side perspective view of a cable connector assembly showing the second embodiment of my new design;

FIG. 9 is a front elevational view thereof;

FIG. 10 is a rear elevational view thereof;

FIG. 11 is a left side elevational view thereof;

FIG. 12 is a right side elevational view thereof;

FIG. 13 is a top plan view thereof; and,

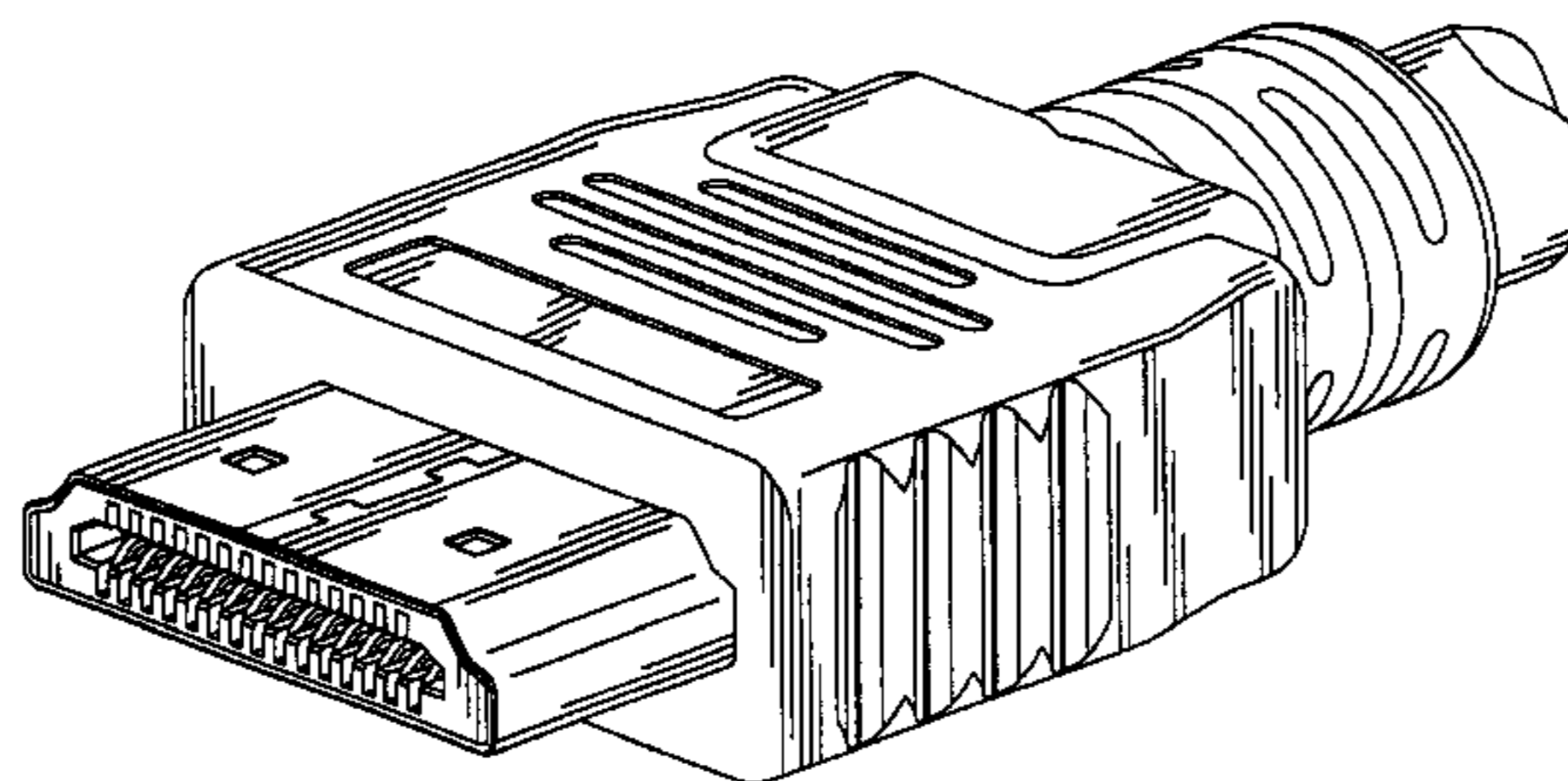
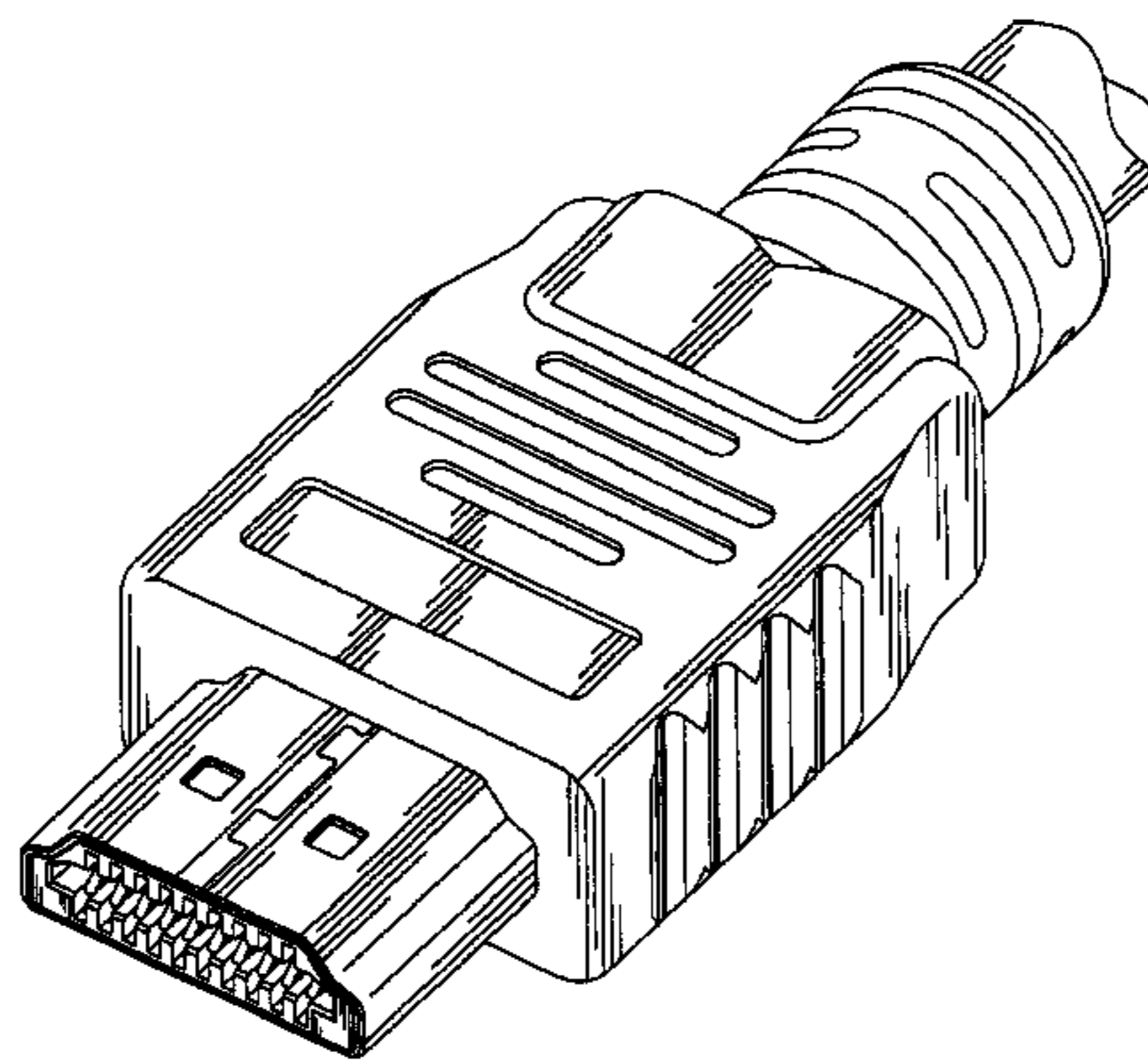
FIG. 14 is a bottom plan view thereof.

(56) **References Cited**

U.S. PATENT DOCUMENTS

D385,255 S * 10/1997 Sato D13/147
D416,230 S * 11/1999 Narumo et al. D13/147
D422,560 S * 4/2000 Lok D13/147
6,099,339 A * 8/2000 Yanagida et al. 439/358
D432,500 S * 10/2000 Nishio et al. D13/147
D437,291 S * 2/2001 Ohtani D13/147
D447,467 S * 9/2001 Hisada et al. D13/147
D449,820 S * 10/2001 Lee D13/147
D452,217 S * 12/2001 Shimojyo D13/147

1 Claim, 14 Drawing Sheets



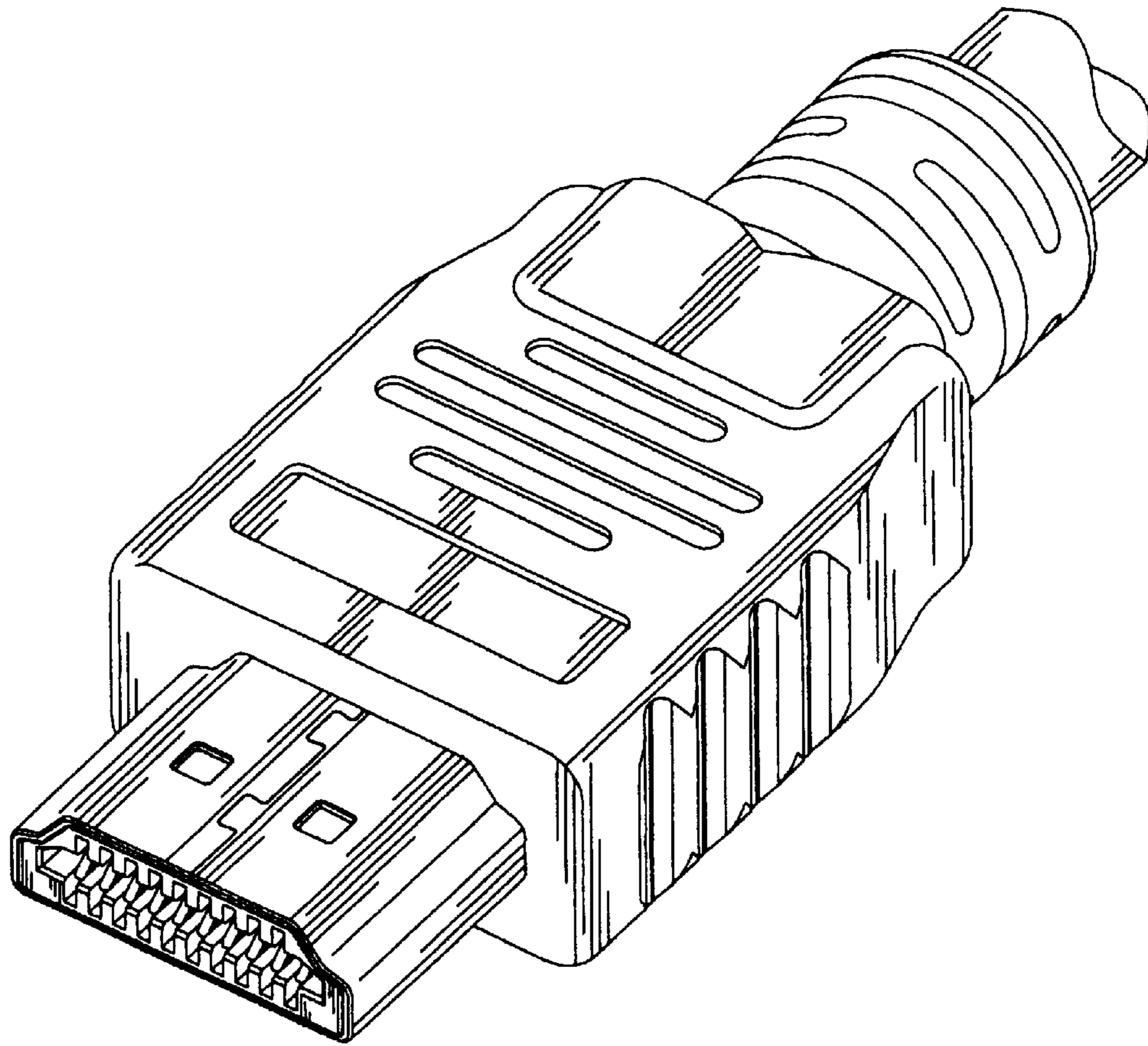


FIG. 1

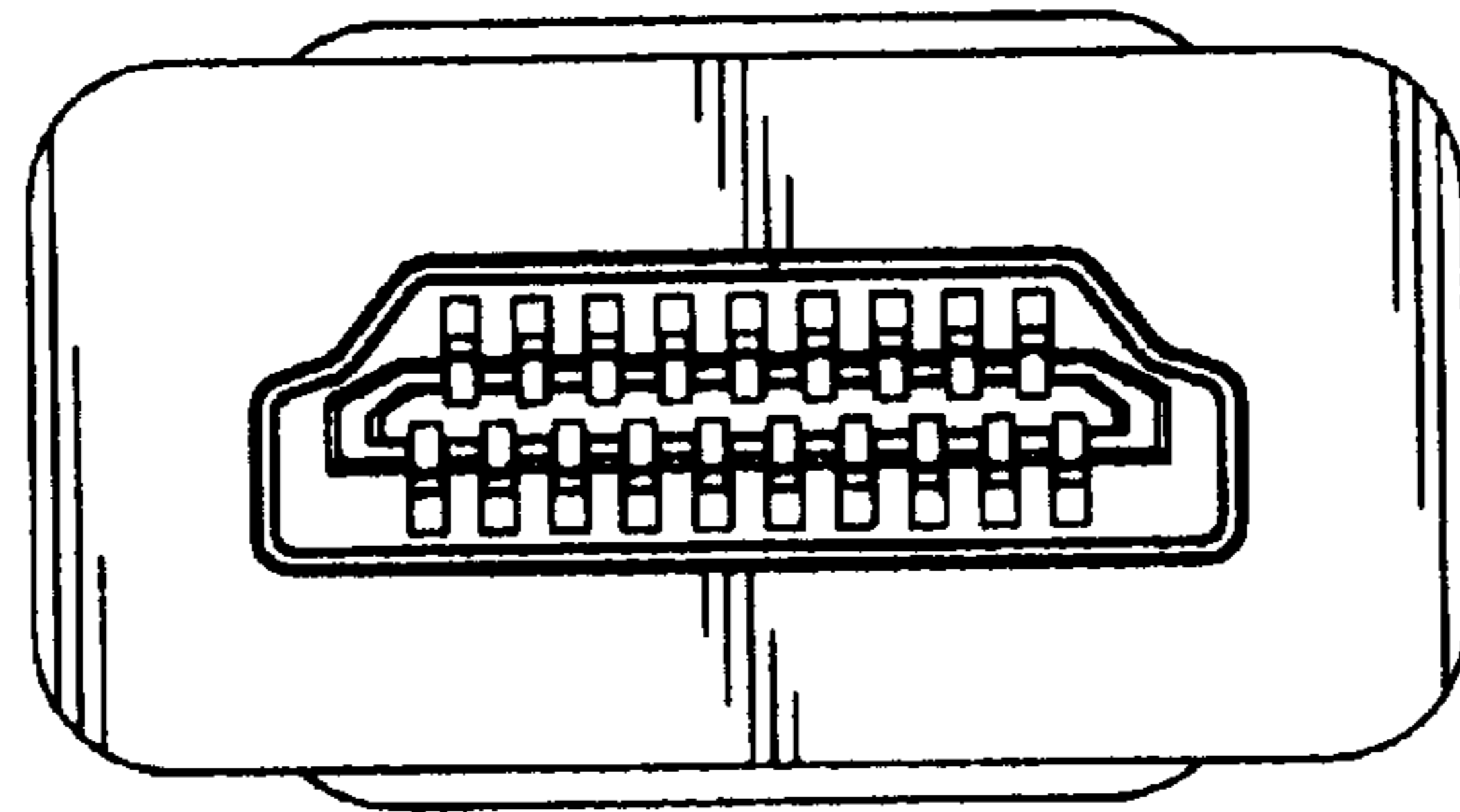


FIG. 2

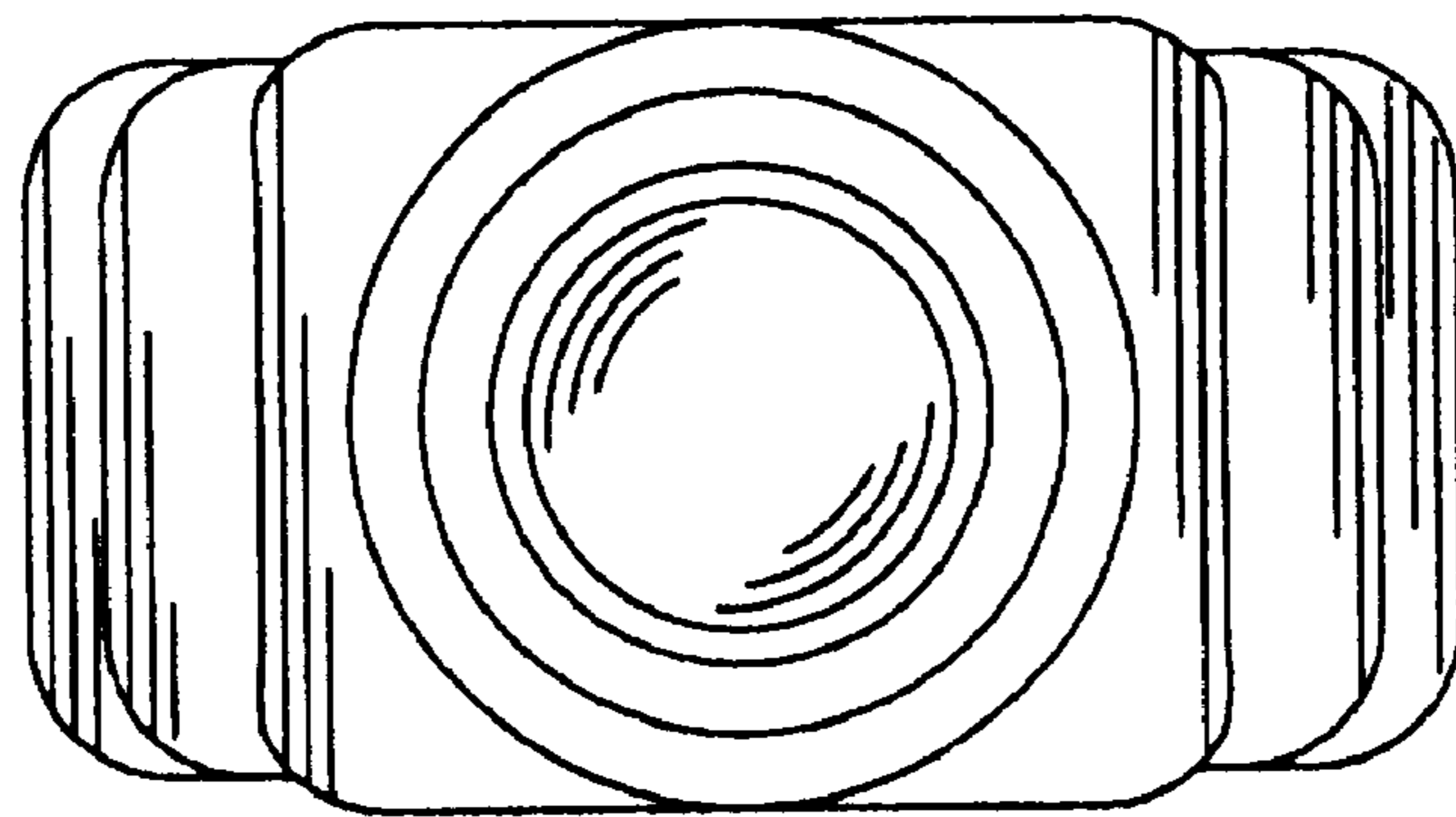


FIG. 3

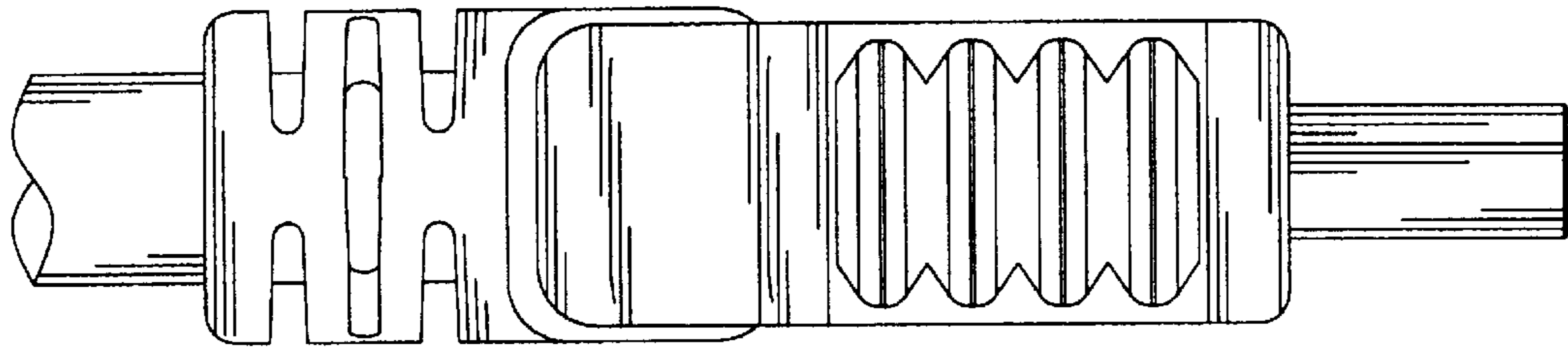


FIG. 4

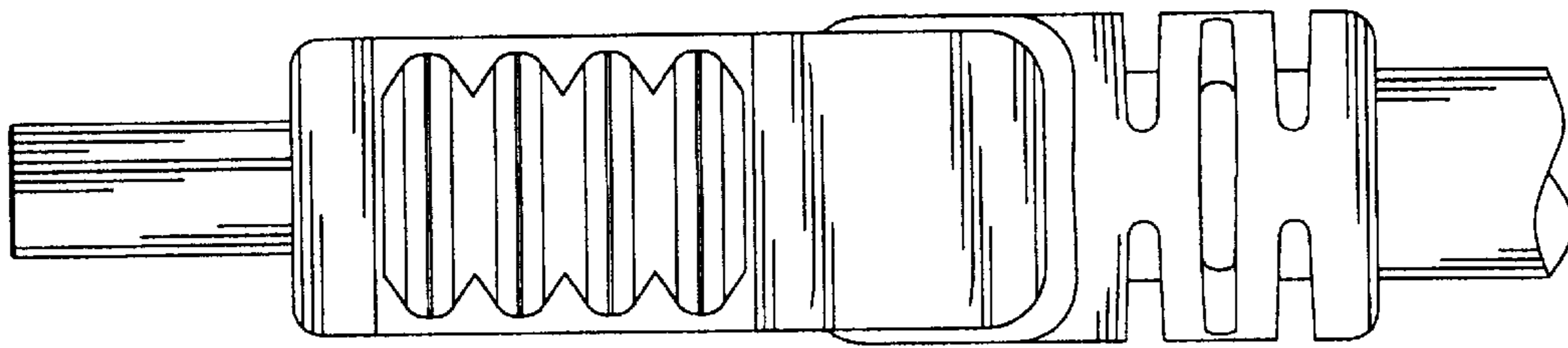


FIG. 5

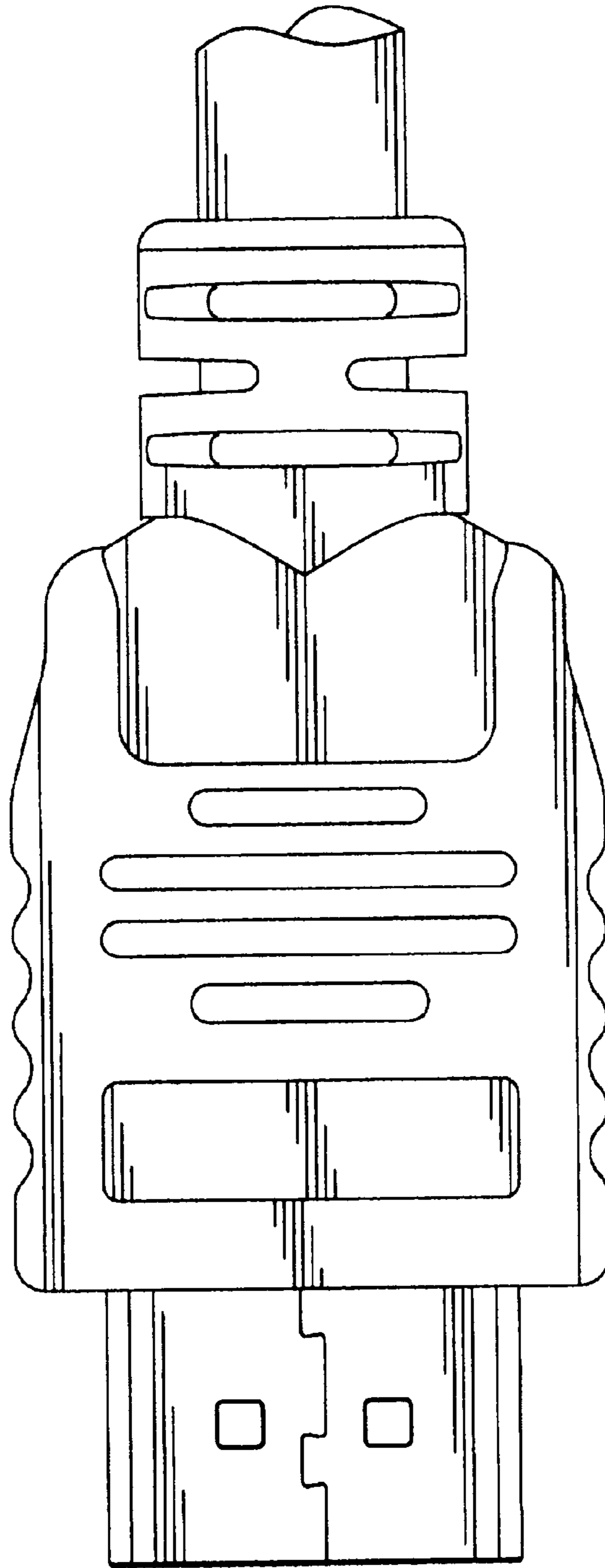


FIG. 6

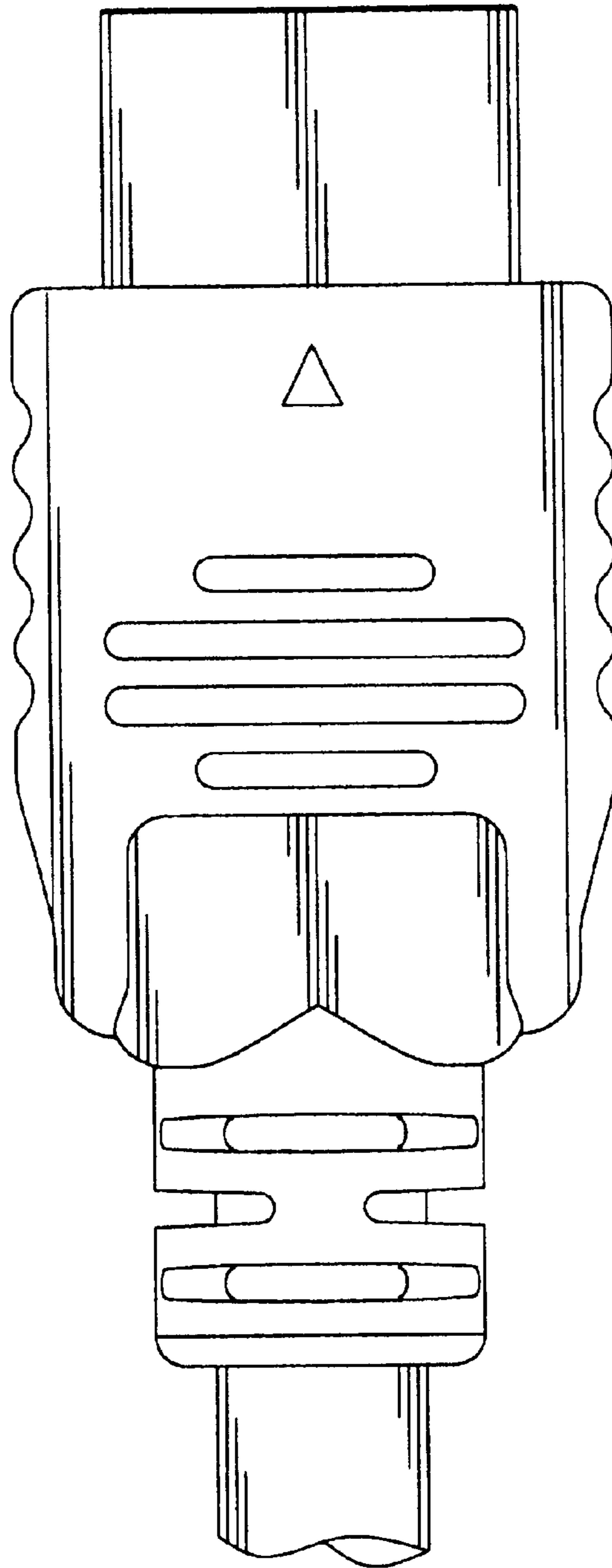


FIG. 7

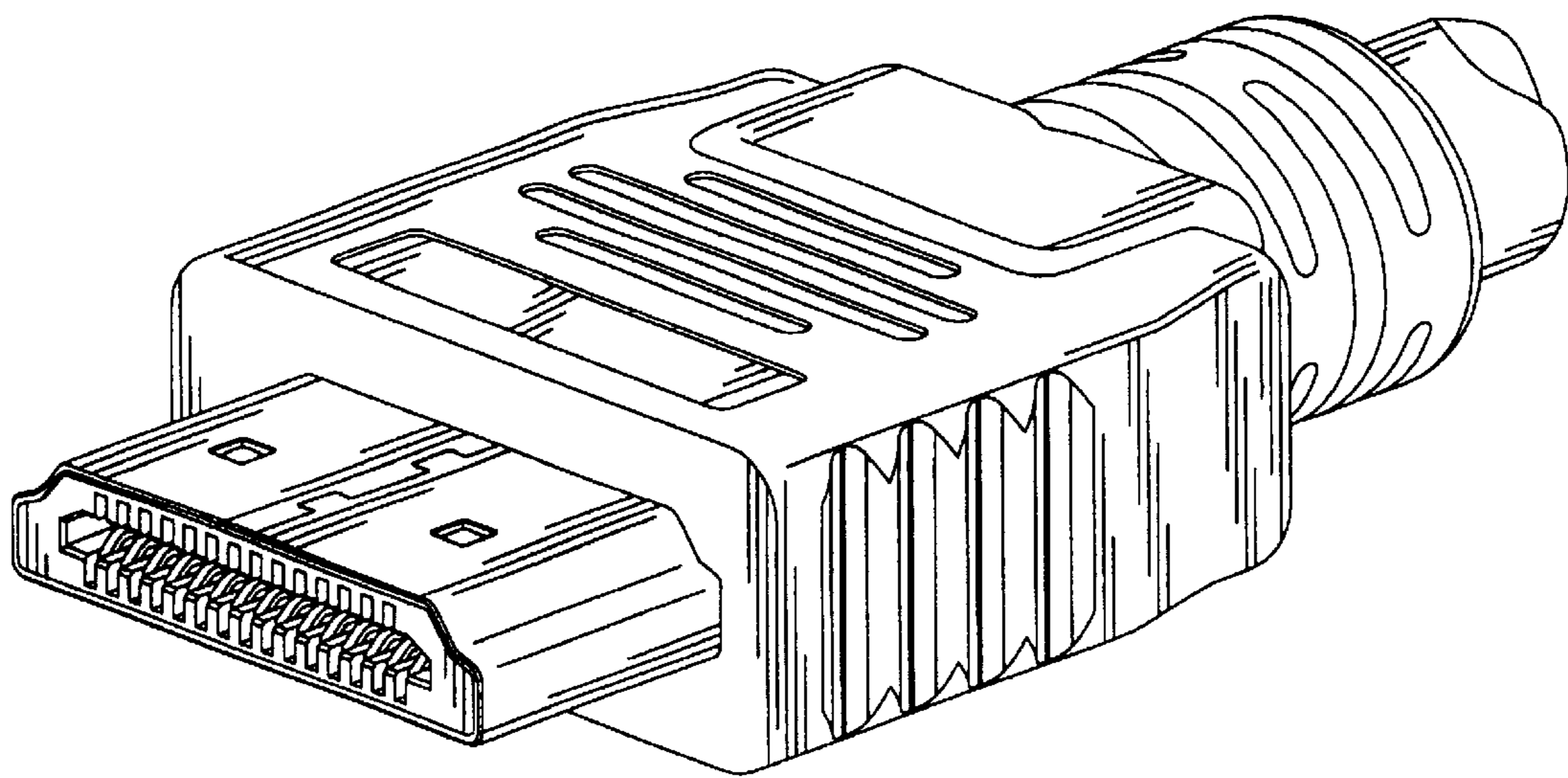


FIG. 8

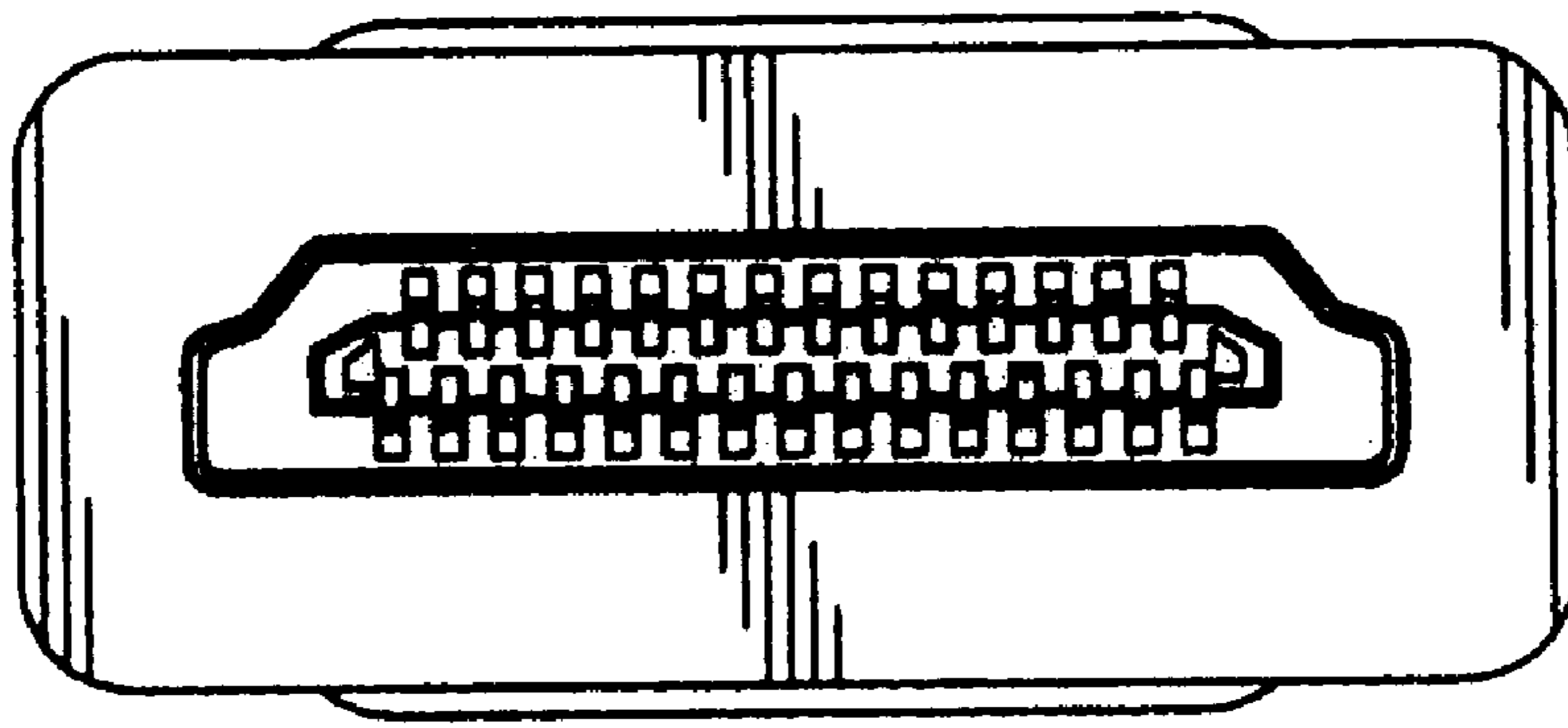


FIG. 9

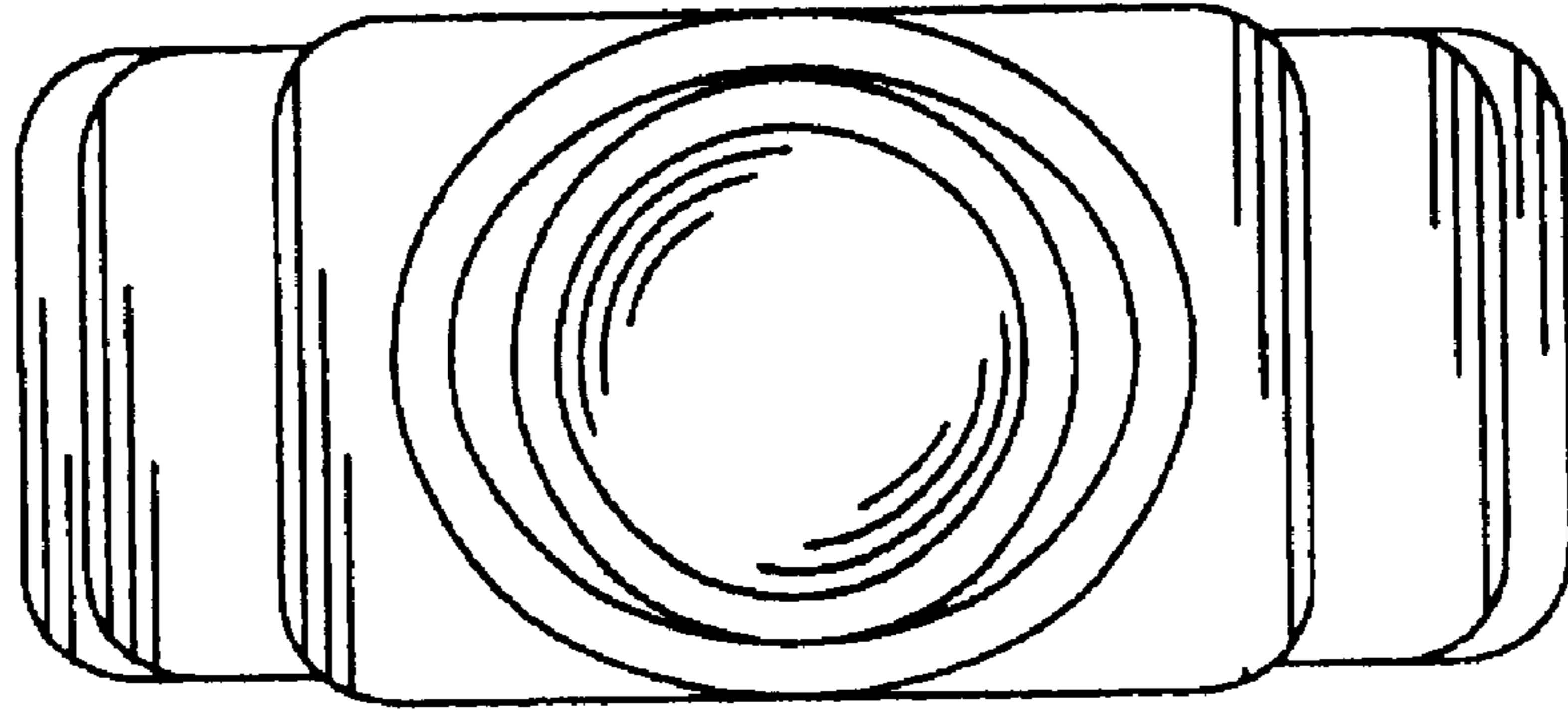


FIG. 10

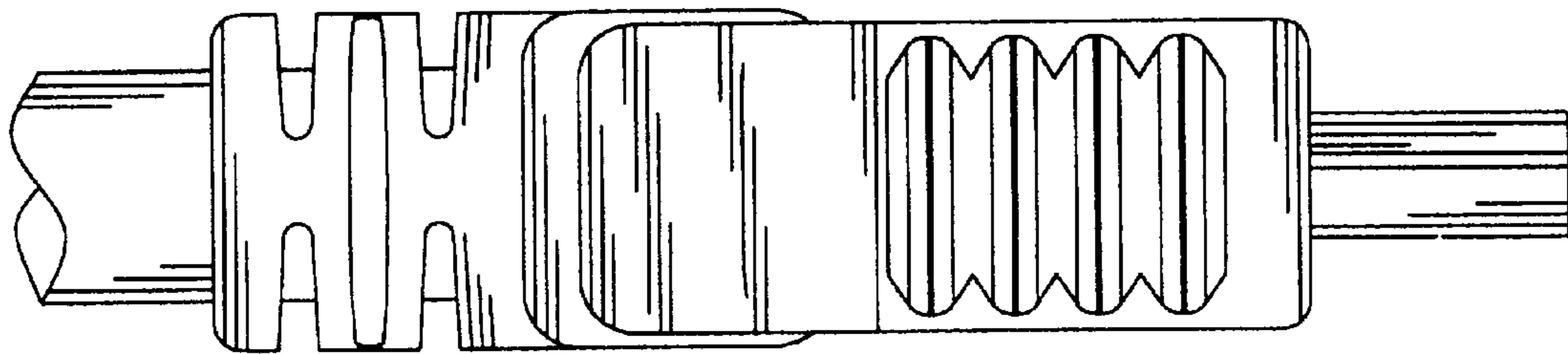


FIG. 11

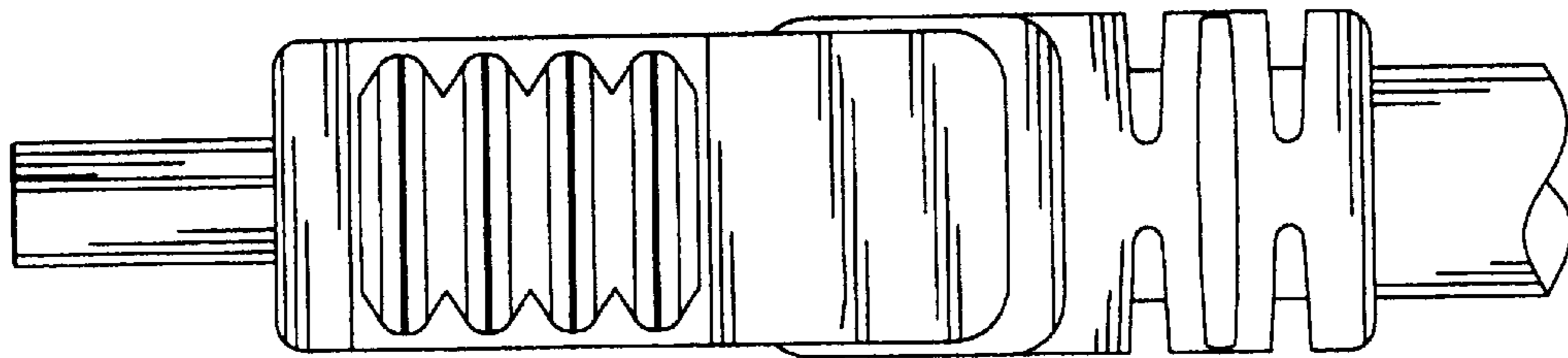


FIG. 12

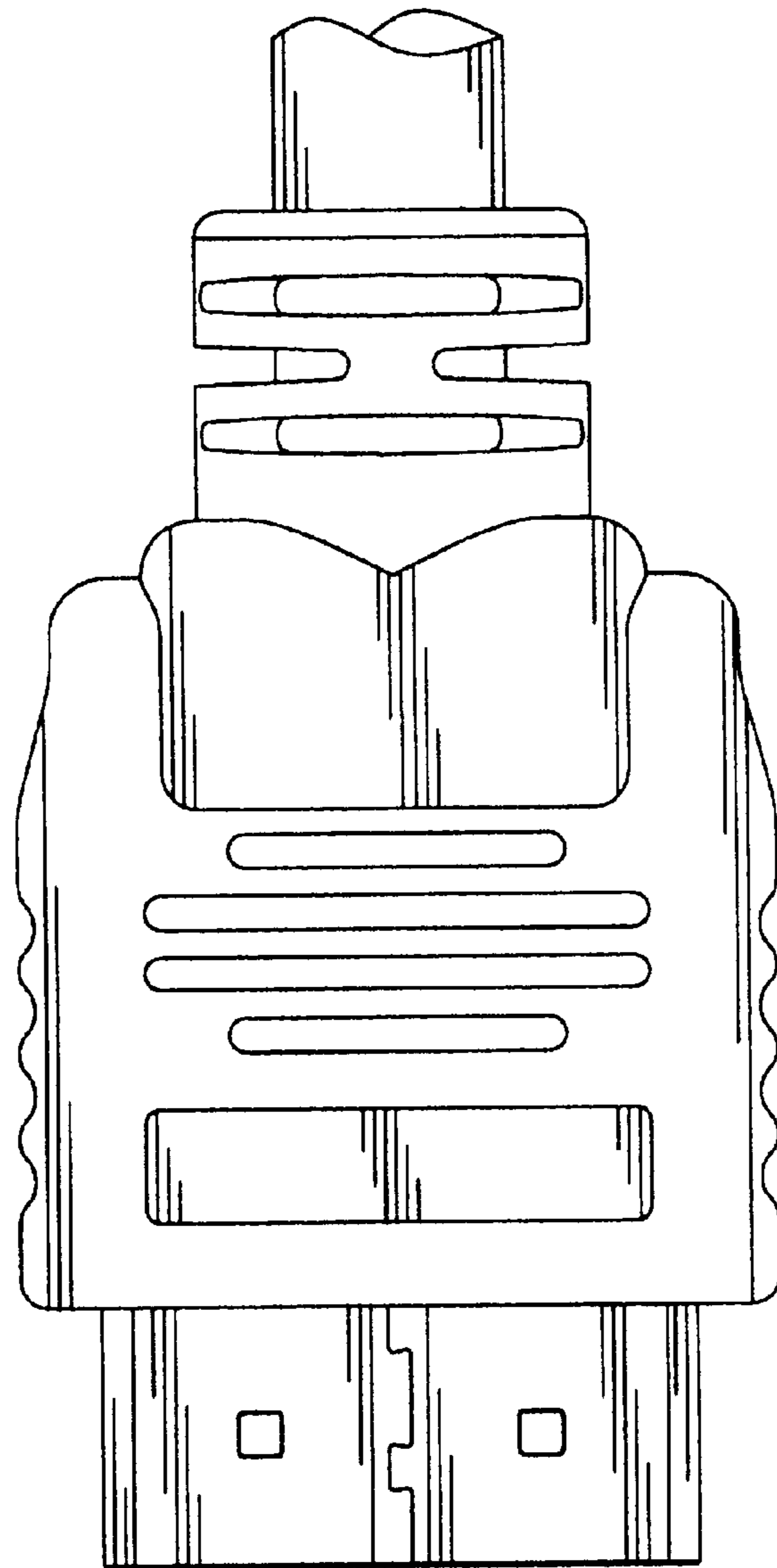


FIG. 13

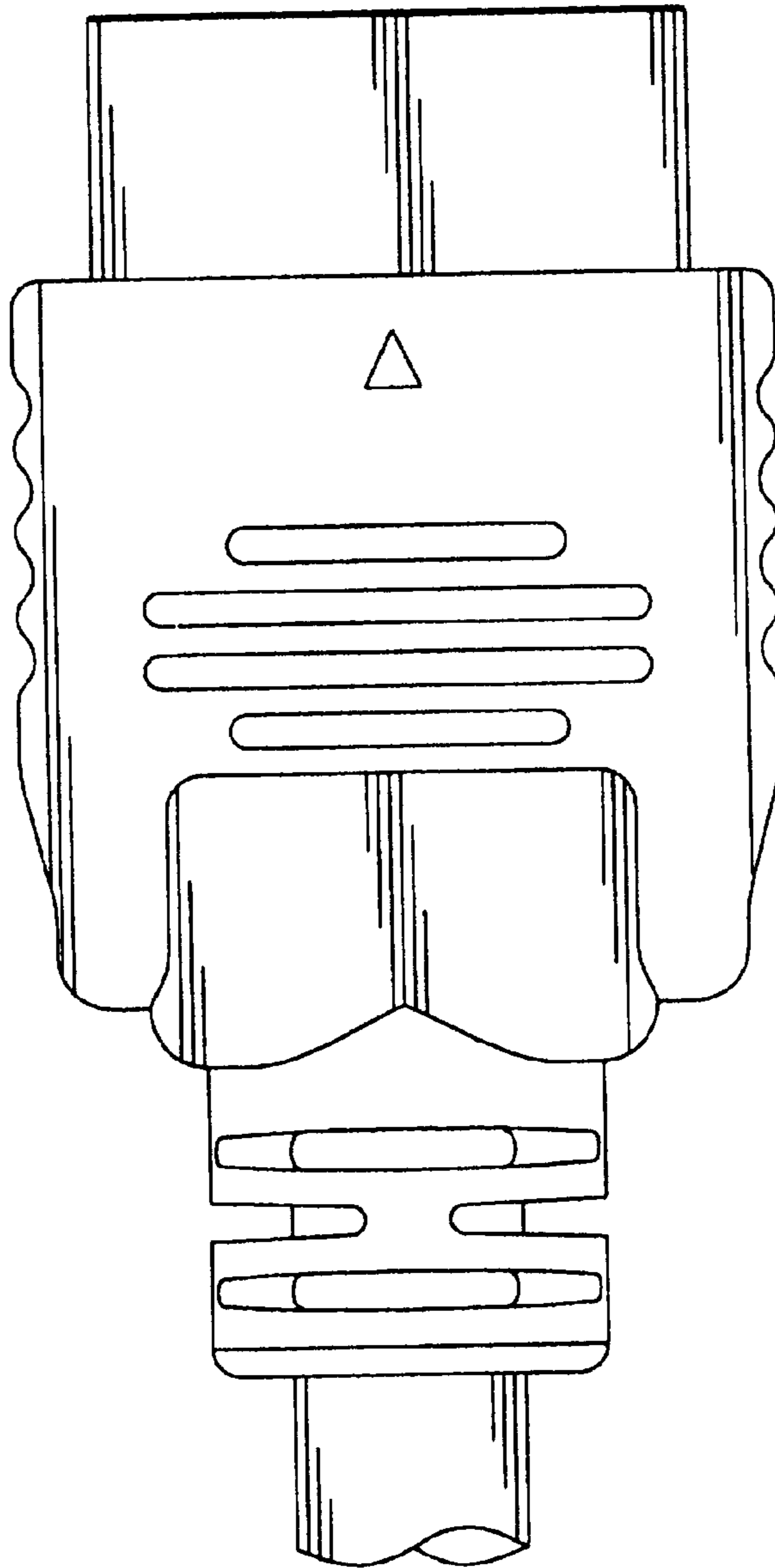


FIG. 14