

US00D527708S

(12) **United States Design Patent**
Schemm et al.

(10) **Patent No.:** **US D527,708 S**

(45) **Date of Patent:** **** Sep. 5, 2006**

(54) **WIRING BRACKET**

(75) Inventors: **Jerry Schemm**, Emporia, KS (US);
Evan Solida, Greensboro, NC (US)

(73) Assignee: **Hopkins Manufacturing Corporation**,
Emporia, KS (US)

(**) Term: **14 Years**

(21) Appl. No.: **29/222,763**

(22) Filed: **Feb. 2, 2005**

(51) **LOC (8) Cl.** **13-03**

(52) **U.S. Cl.** **D13/147**

(58) **Field of Classification Search** D13/123,
D13/133, 153, 146-147, 154, 184, 199; 439/34-36,
439/135-136, 138, 142, 149, 521, 527, 718;
339/10, 14 R, 28

See application file for complete search history.

(56) **References Cited**

U.S. PATENT DOCUMENTS

D200,645	S	*	3/1965	Schumacher	D13/146
4,057,310	A	*	11/1977	Young	439/35
4,718,853	A	*	1/1988	Orbanic	439/35
4,781,393	A		11/1988	Jeter		
D300,819	S	*	4/1989	Orbanic	D13/147
D300,820	S	*	4/1989	Orbanic	D13/147
4,842,524	A	*	6/1989	Hopkins et al.	439/35
5,080,594	A		1/1992	Swinford		

D331,223	S	*	11/1992	Hughes	D13/147
D344,065	S	*	2/1994	Hughes	D13/147
5,320,560	A		6/1994	Fladung		
5,514,009	A	*	5/1996	Hughes	439/35
5,626,479	A		5/1997	Hughes		
5,630,728	A	*	5/1997	Watters, Jr.	439/528
D411,859	S	*	7/1999	Whitmore	D19/69
6,259,170	B1		7/2001	Limoge et al.		
D482,657	S	*	11/2003	Lai	D13/146

* cited by examiner

Primary Examiner—Stella Reid

Assistant Examiner—Daniel Bui

(74) *Attorney, Agent, or Firm*—Hovey Williams LLP

(57) **CLAIM**

The ornamental design for a wiring bracket, as shown and described.

DESCRIPTION

FIG. 1 is a perspective view of a wiring bracket, showing our new design;

FIG. 2 is a top plan view thereof;

FIG. 3 is a first side elevation view thereof;

FIG. 4 is a bottom plan view thereof;

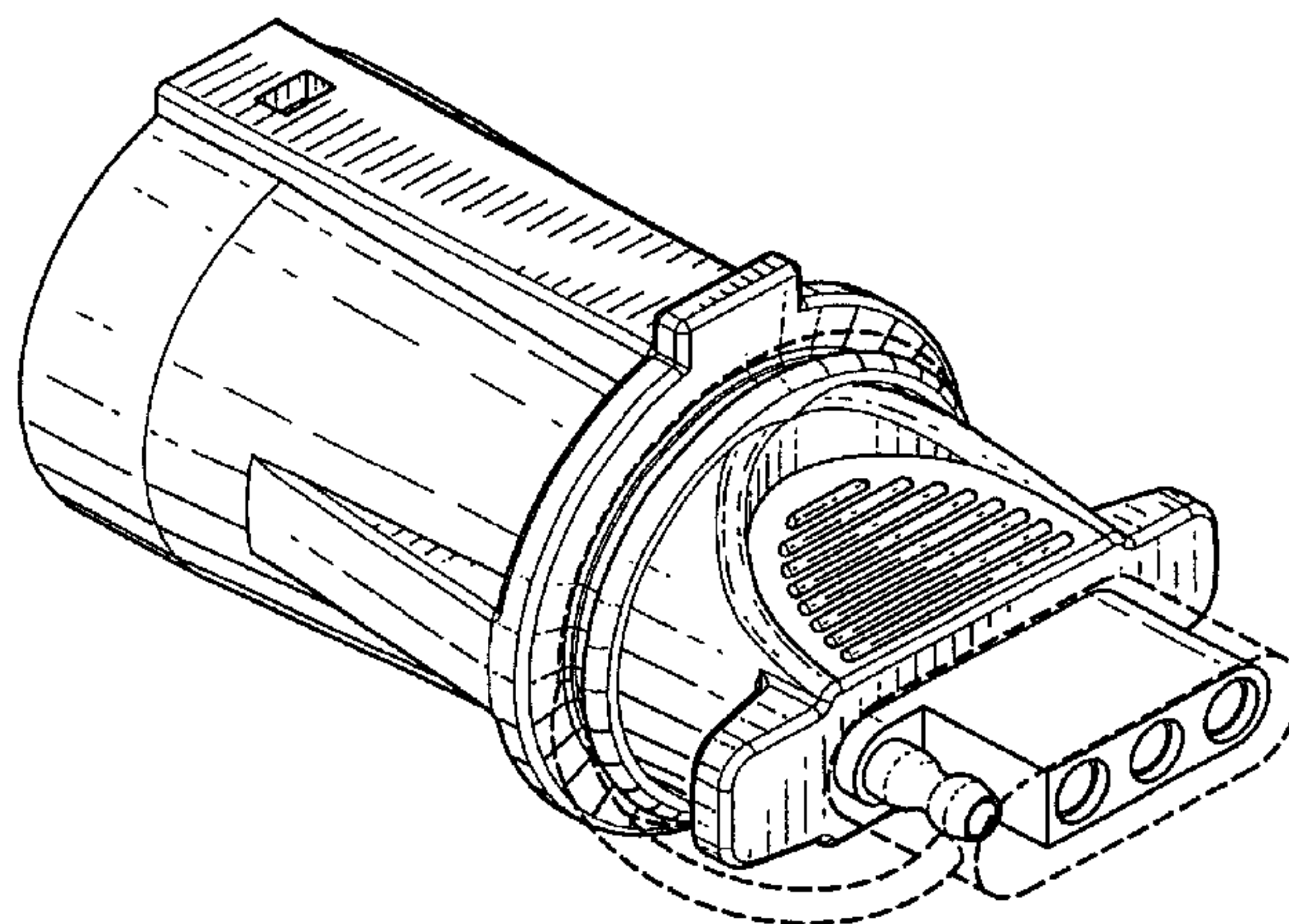
FIG. 5 is a second side elevation view thereof;

FIG. 6 is a first end elevation view thereof; and,

FIG. 7 is a second side elevation view thereof.

The removable cap shown in broken line is for illustrative purposes only and forms no part of the claimed design.

1 Claim, 2 Drawing Sheets



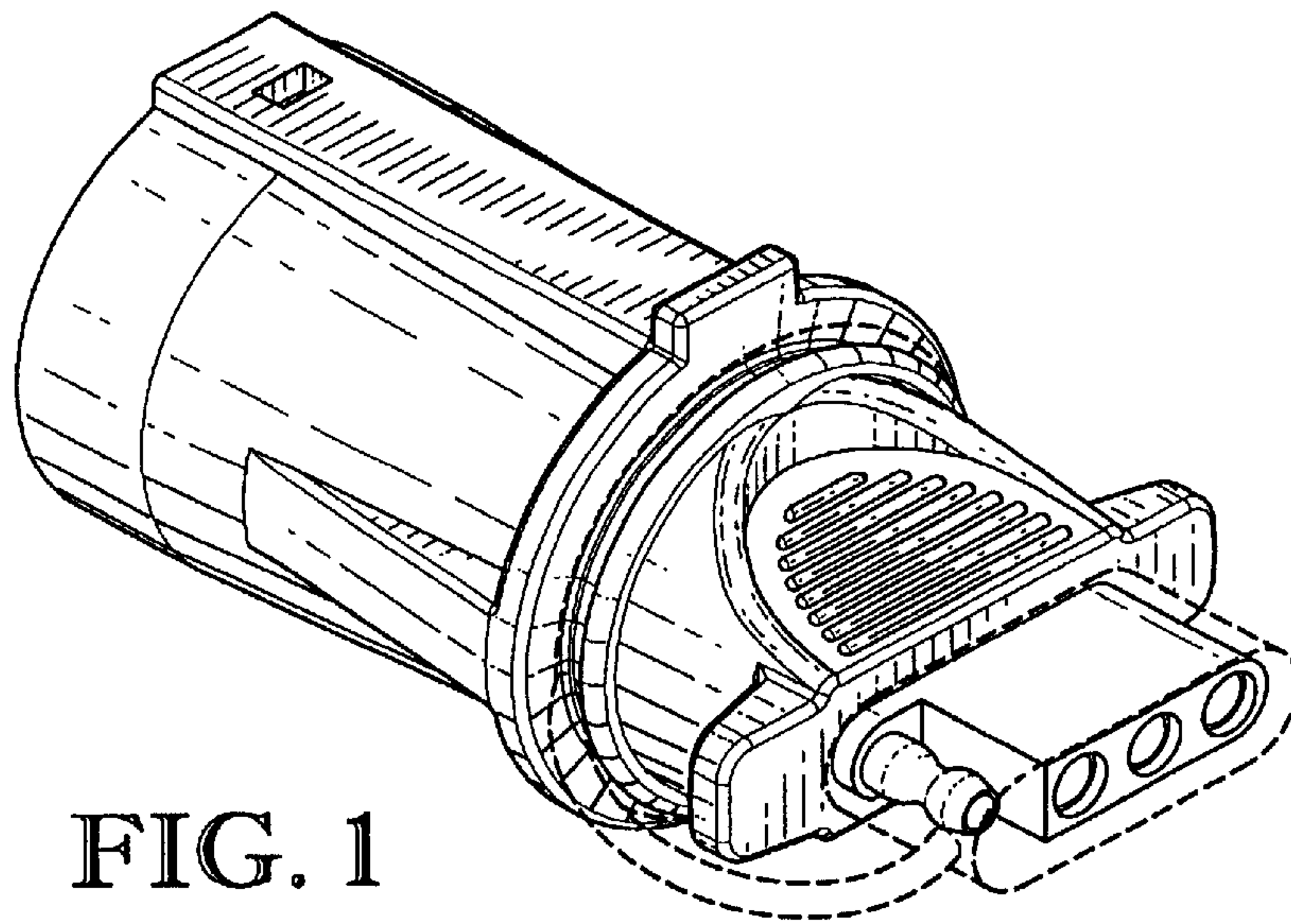


FIG. 1

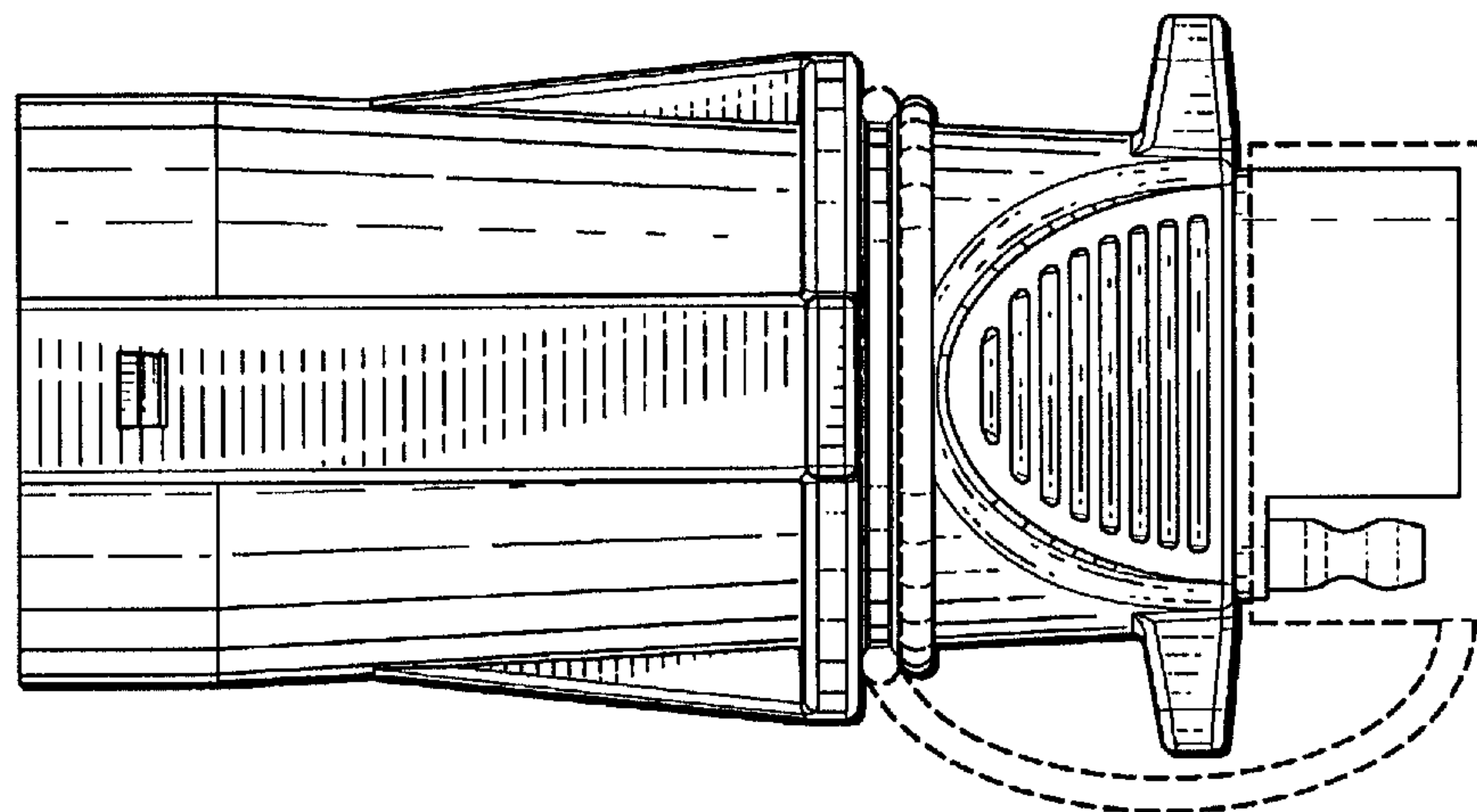


FIG. 2

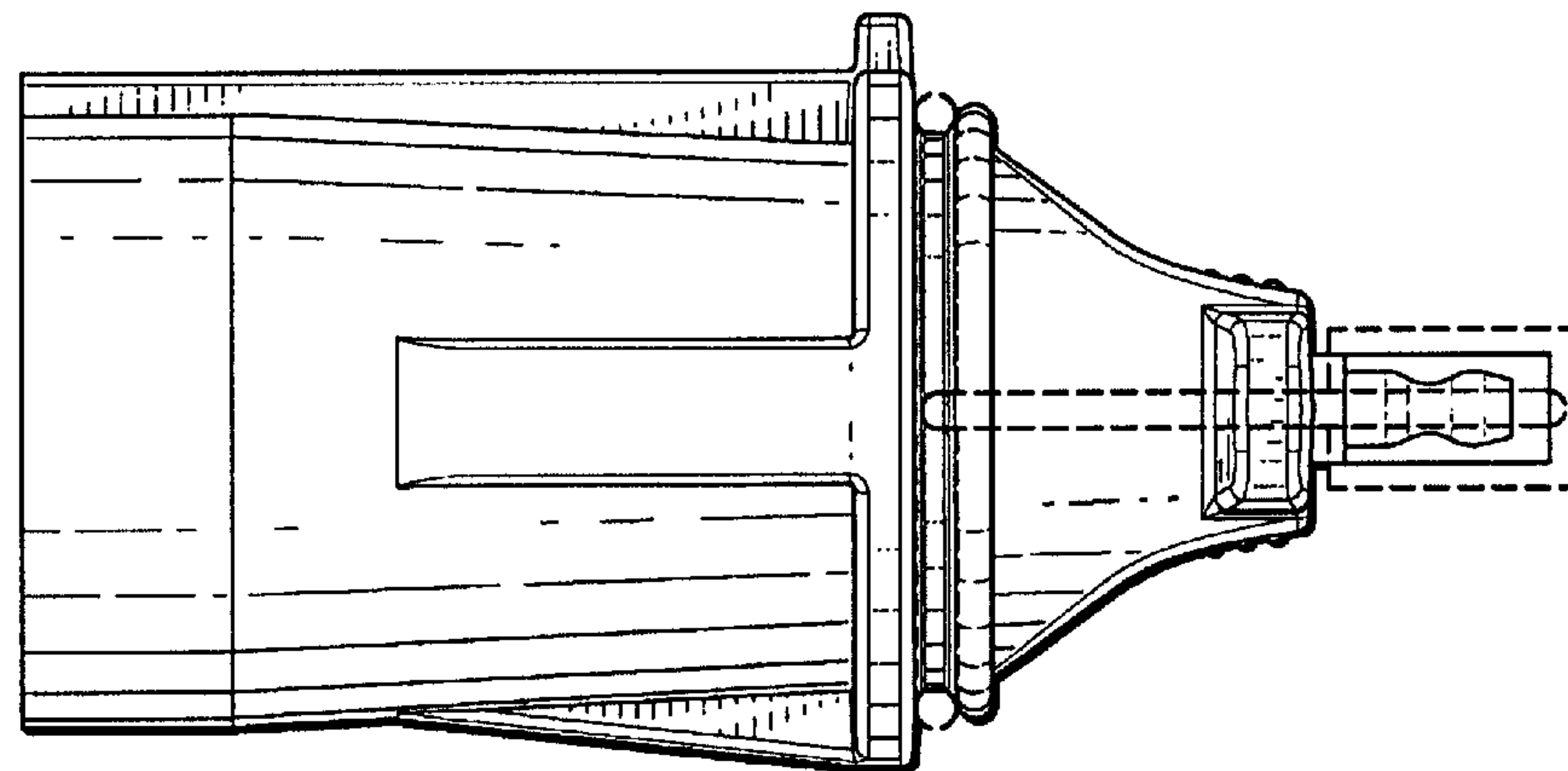


FIG. 3

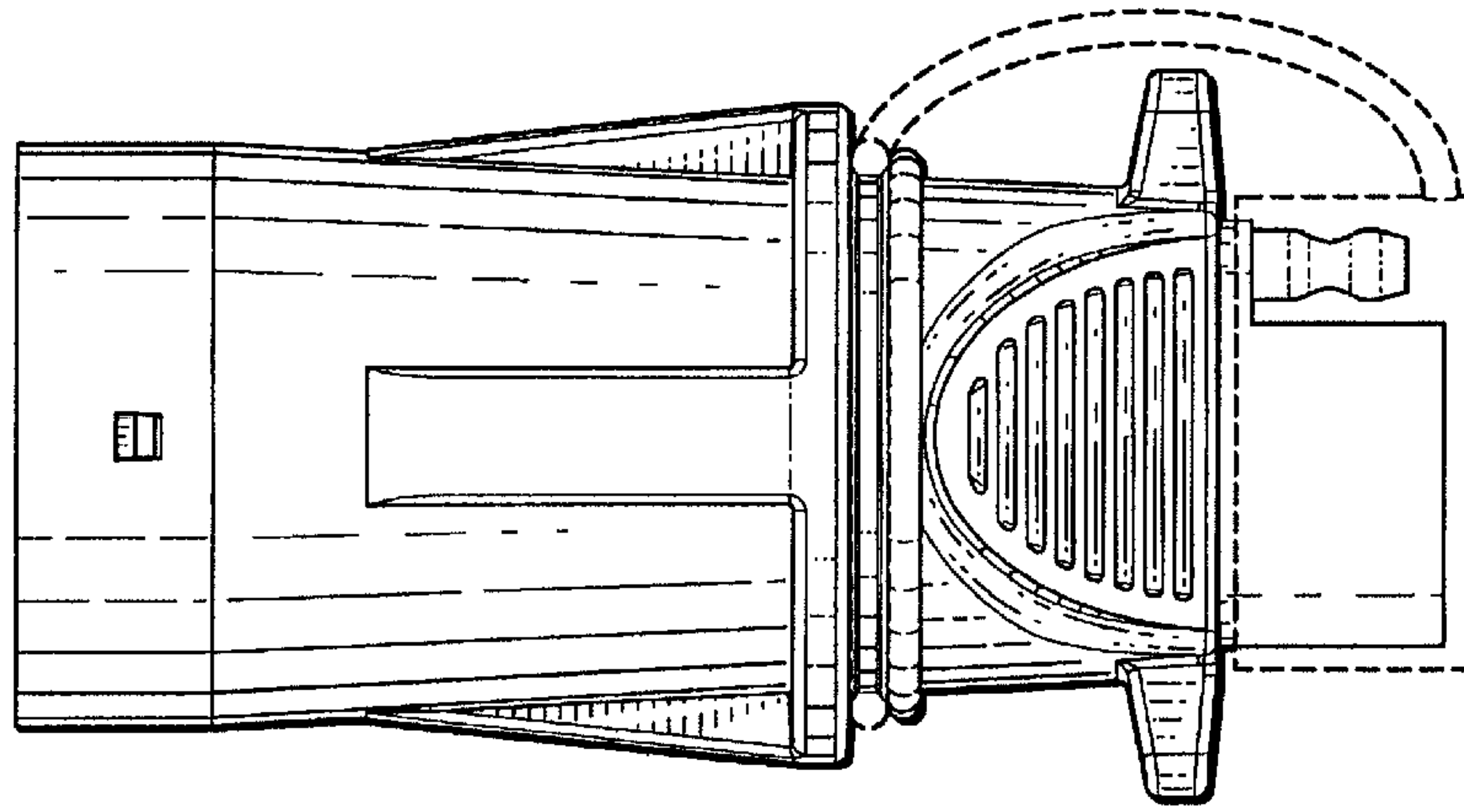


FIG. 4

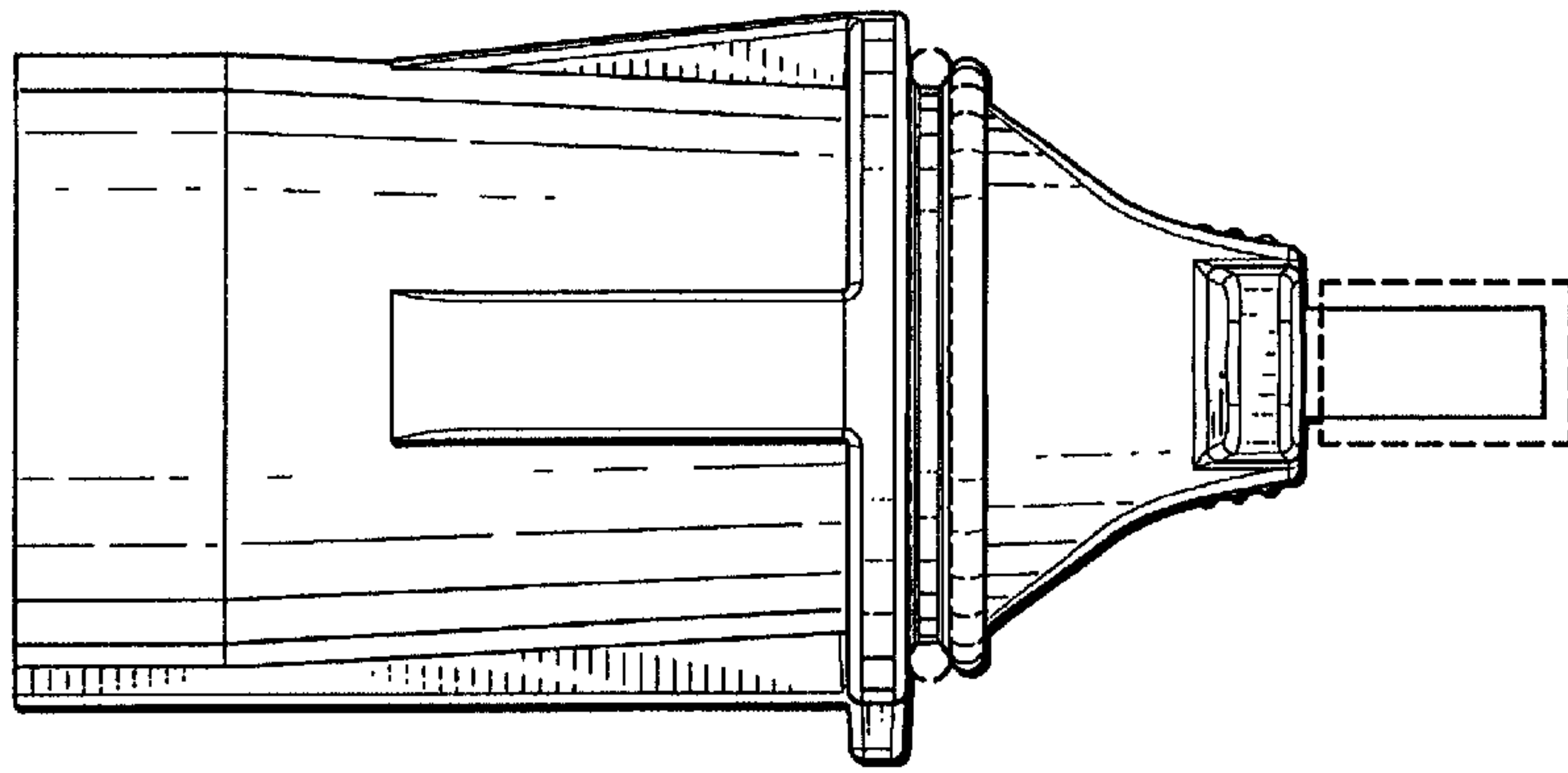


FIG. 5

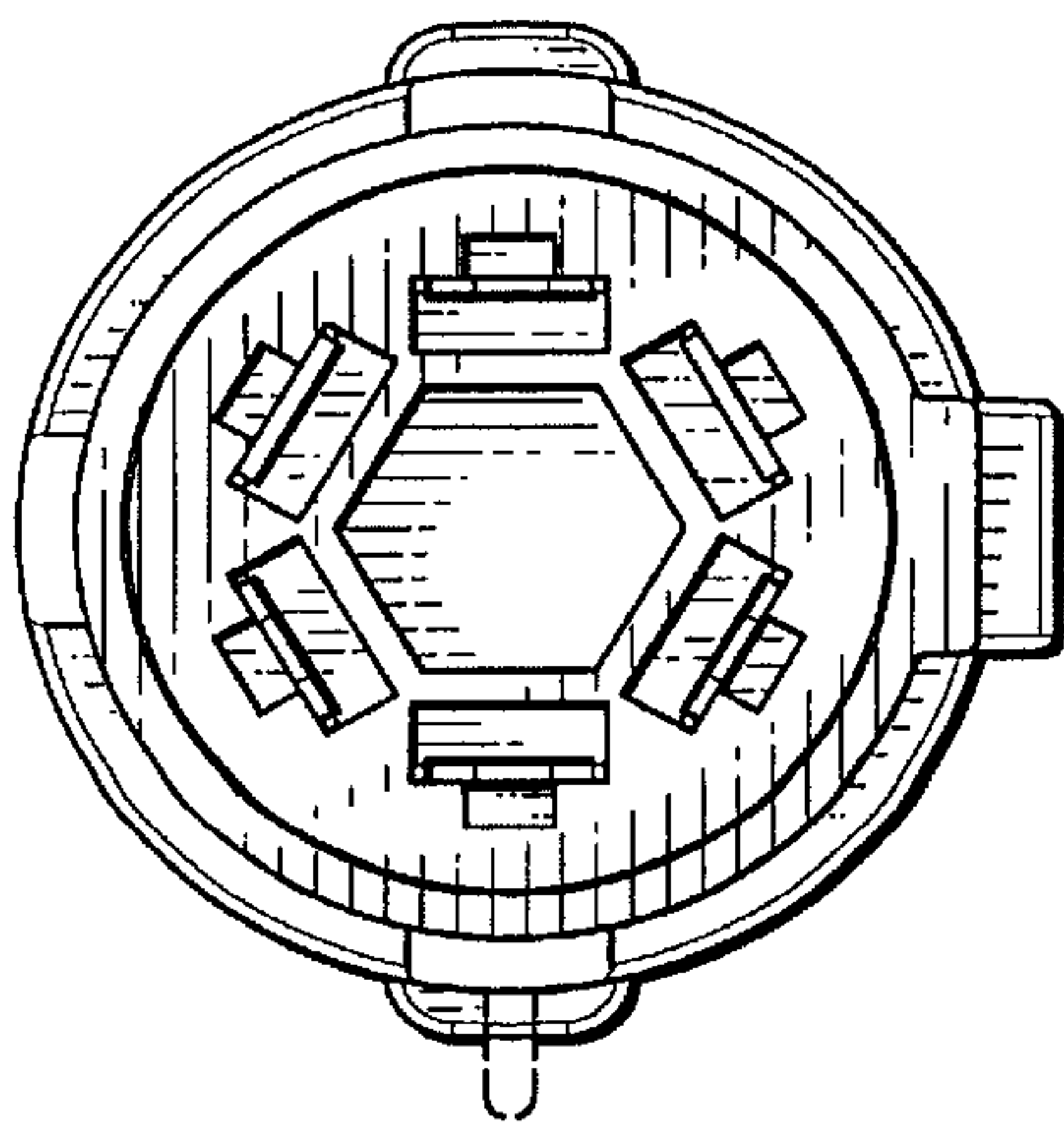


FIG. 6

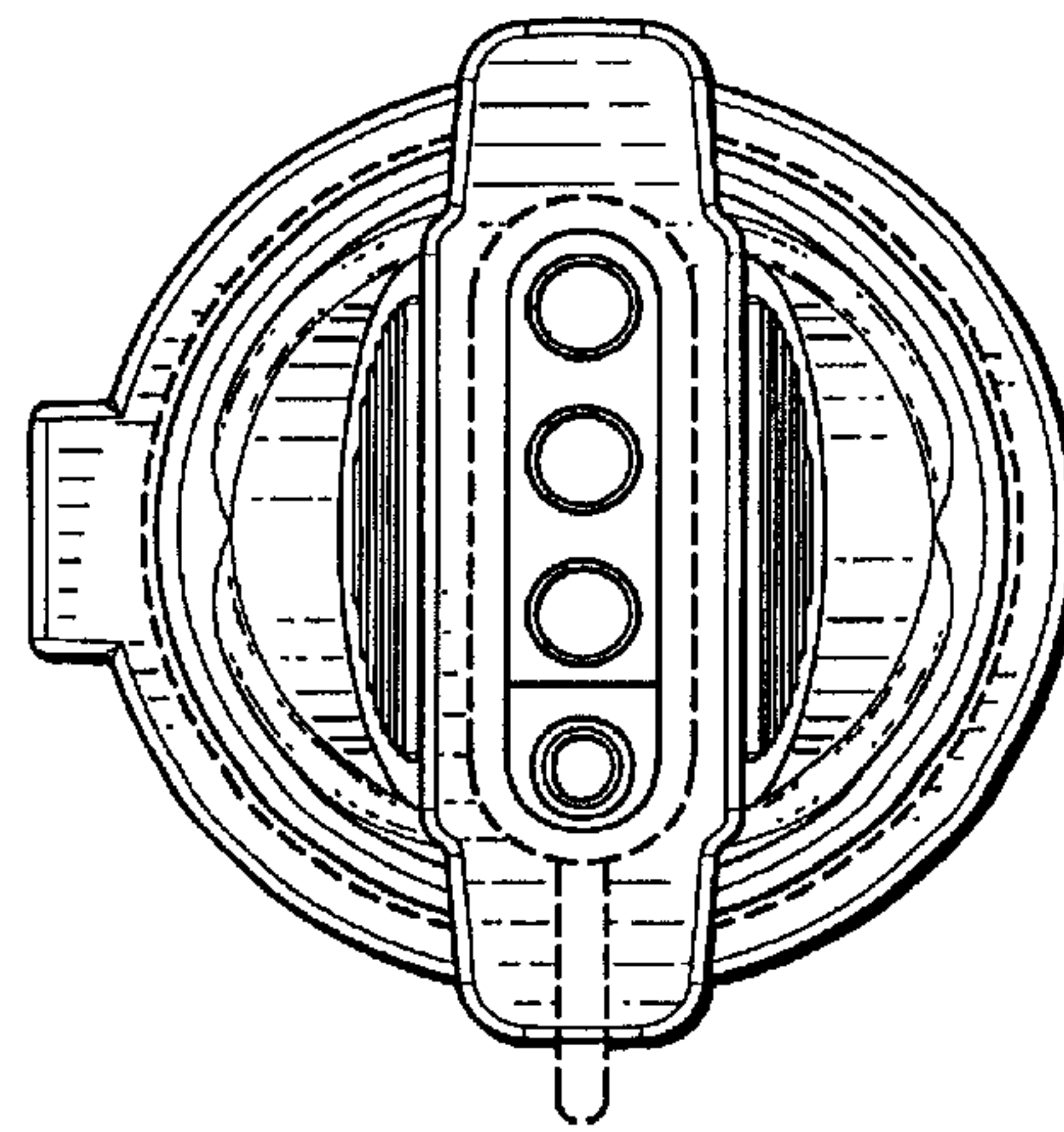


FIG. 7