



US00D527707S

(12) **United States Design Patent**  
**Lai**

(10) **Patent No.:** **US D527,707 S**

(45) **Date of Patent:** **\*\* Sep. 5, 2006**

(54) **RECEPTACLE CONNECTOR**

(75) Inventor: **Ming Chun Lai**, Tucheng (TW)

(73) Assignee: **Cheng Uei Precision Industry Co., Ltd.**, Taipei (TW)

(\*\*) Term: **14 Years**

(21) Appl. No.: **29/219,486**

(22) Filed: **Dec. 20, 2004**

(51) **LOC (8) Cl.** ..... **13-03**

(52) **U.S. Cl.** ..... **D13/147**

(58) **Field of Classification Search** ..... D13/133,  
D13/146-147, 154, 199; 439/79, 83, 108,  
439/181, 607-610, 639

See application file for complete search history.

(56) **References Cited**

**U.S. PATENT DOCUMENTS**

5,984,725	A	*	11/1999	Belopolsky et al.	.....	439/607
5,993,258	A	*	11/1999	Matsunuma et al.	.....	439/607
D419,524	S	*	1/2000	Chiou et al.	.....	D13/147
D422,562	S	*	4/2000	Huang	.....	D13/147
6,183,300	B1	*	2/2001	Belopolsky et al.	.....	439/607

6,361,332	B1	*	3/2002	Froude et al.	.....	439/83
6,416,359	B1	*	7/2002	Zhang et al.	.....	439/607
6,554,648	B1	*	4/2003	Shi et al.	.....	439/607
D499,381	S	*	12/2004	Hu et al.	.....	D13/147
D509,800	S	*	9/2005	Hu et al.	.....	D13/147
2002/0142636	A1	*	10/2002	Murr et al.	.....	439/108

\* cited by examiner

*Primary Examiner*—Stella Reid

*Assistant Examiner*—Daniel Bui

(74) *Attorney, Agent, or Firm*—Rosenberg, Klein & Lee

(57) **CLAIM**

The ornamental design for a receptacle connector, as shown and described.

**DESCRIPTION**

FIG. 1 is a perspective view of a receptacle connector showing my new design;

FIG. 2 is a front elevational view thereof;

FIG. 3 is a rear elevational view thereof;

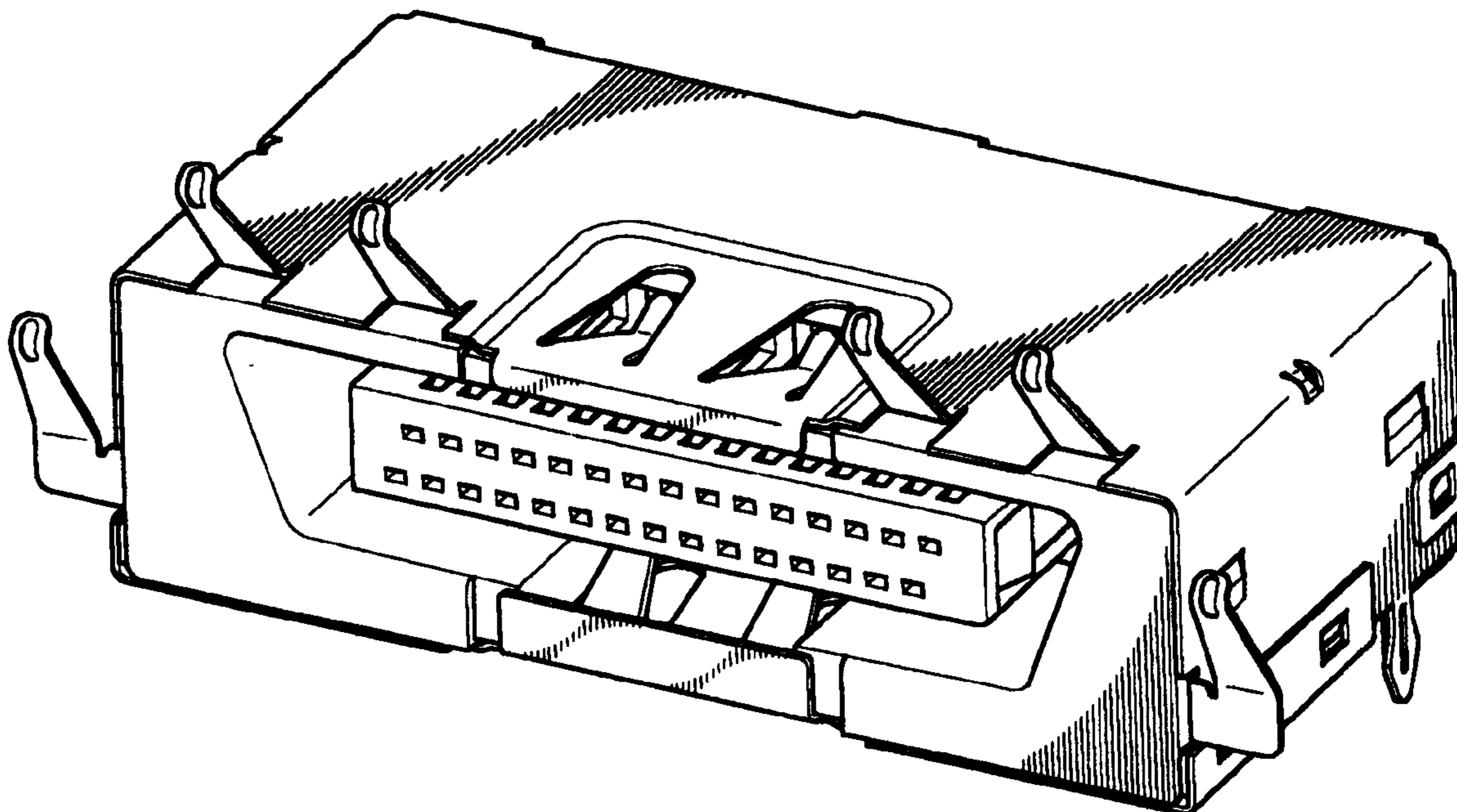
FIG. 4 is a left side elevational view thereof;

FIG. 5 is a right side elevational view thereof;

FIG. 6 is a top plan view thereof; and,

FIG. 7 is a bottom plan view thereof.

**1 Claim, 4 Drawing Sheets**



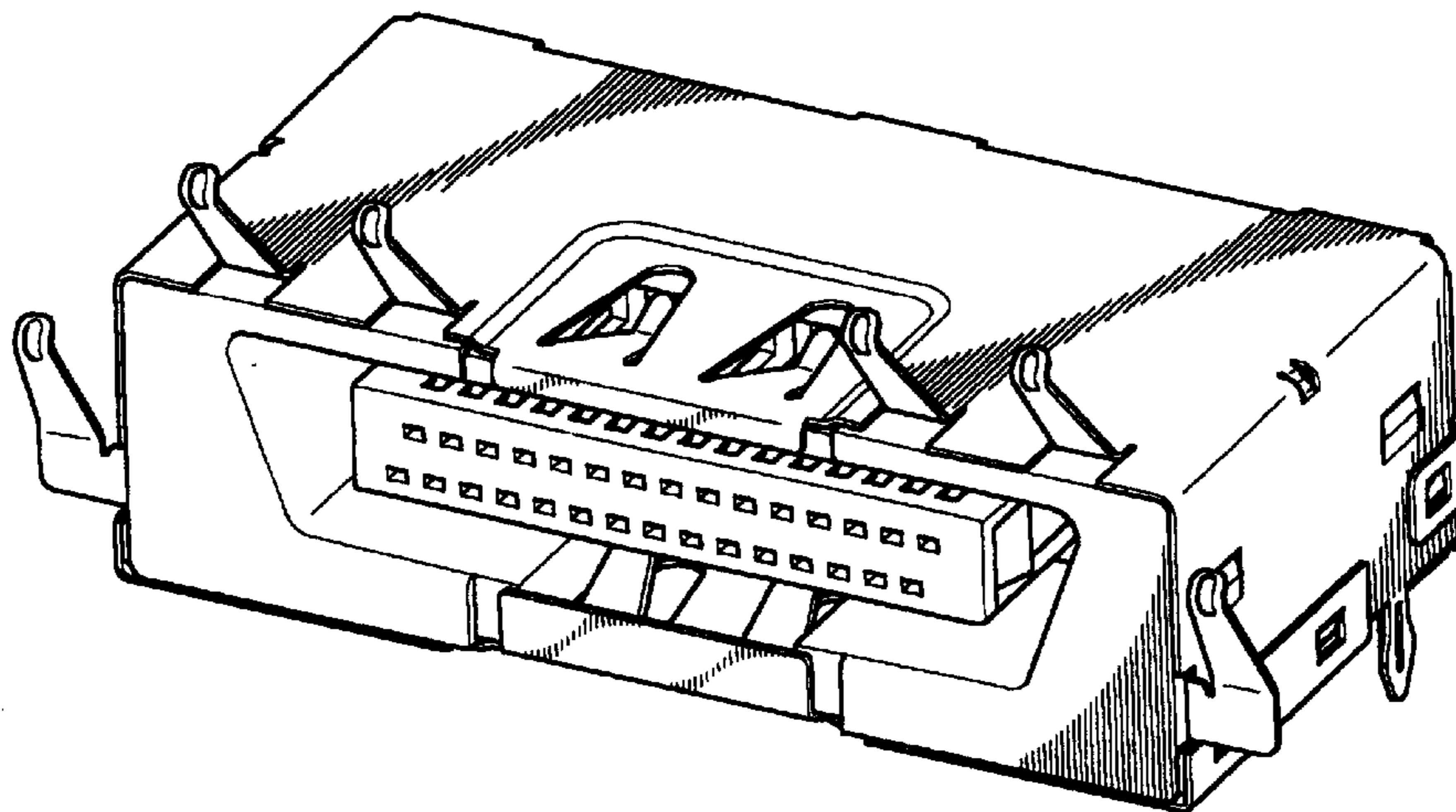


FIG. 1

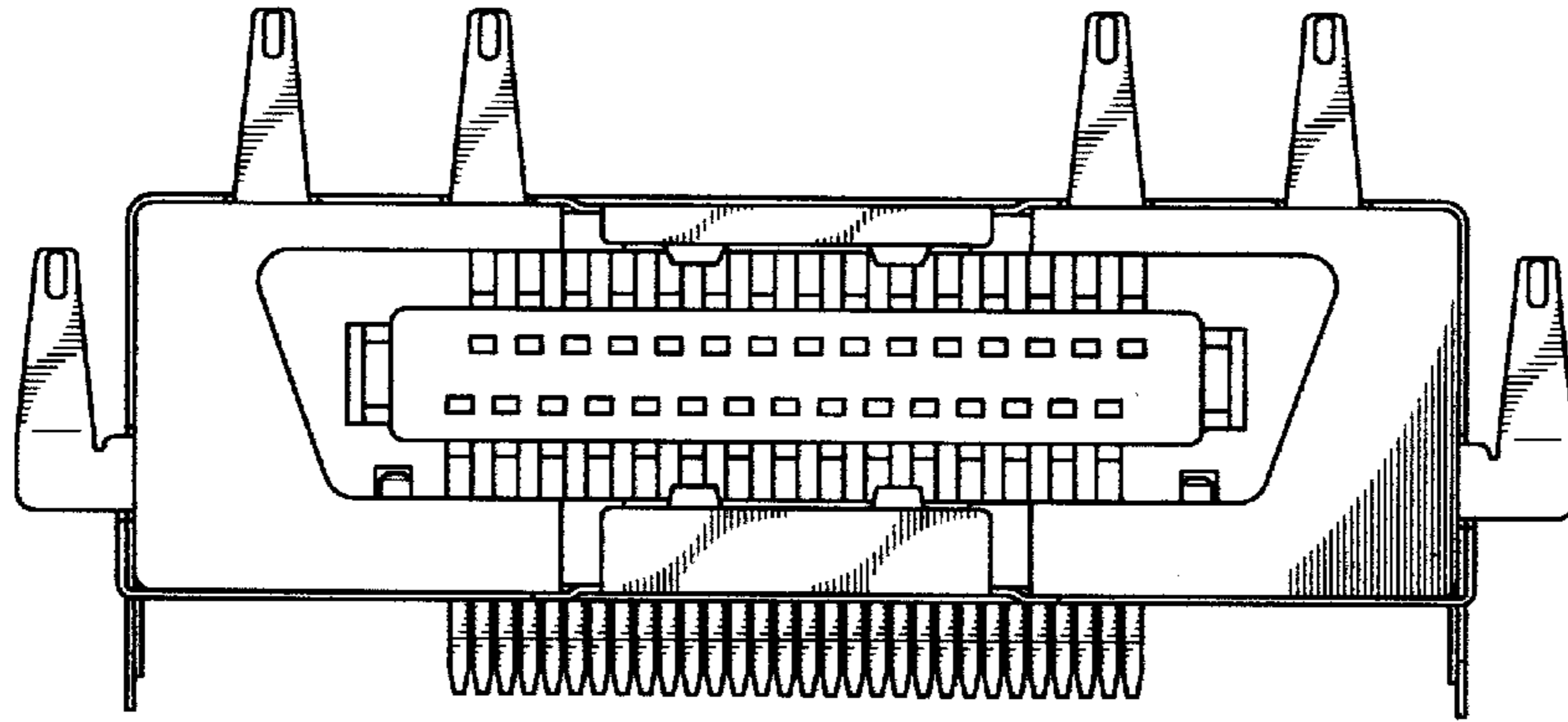


FIG. 2

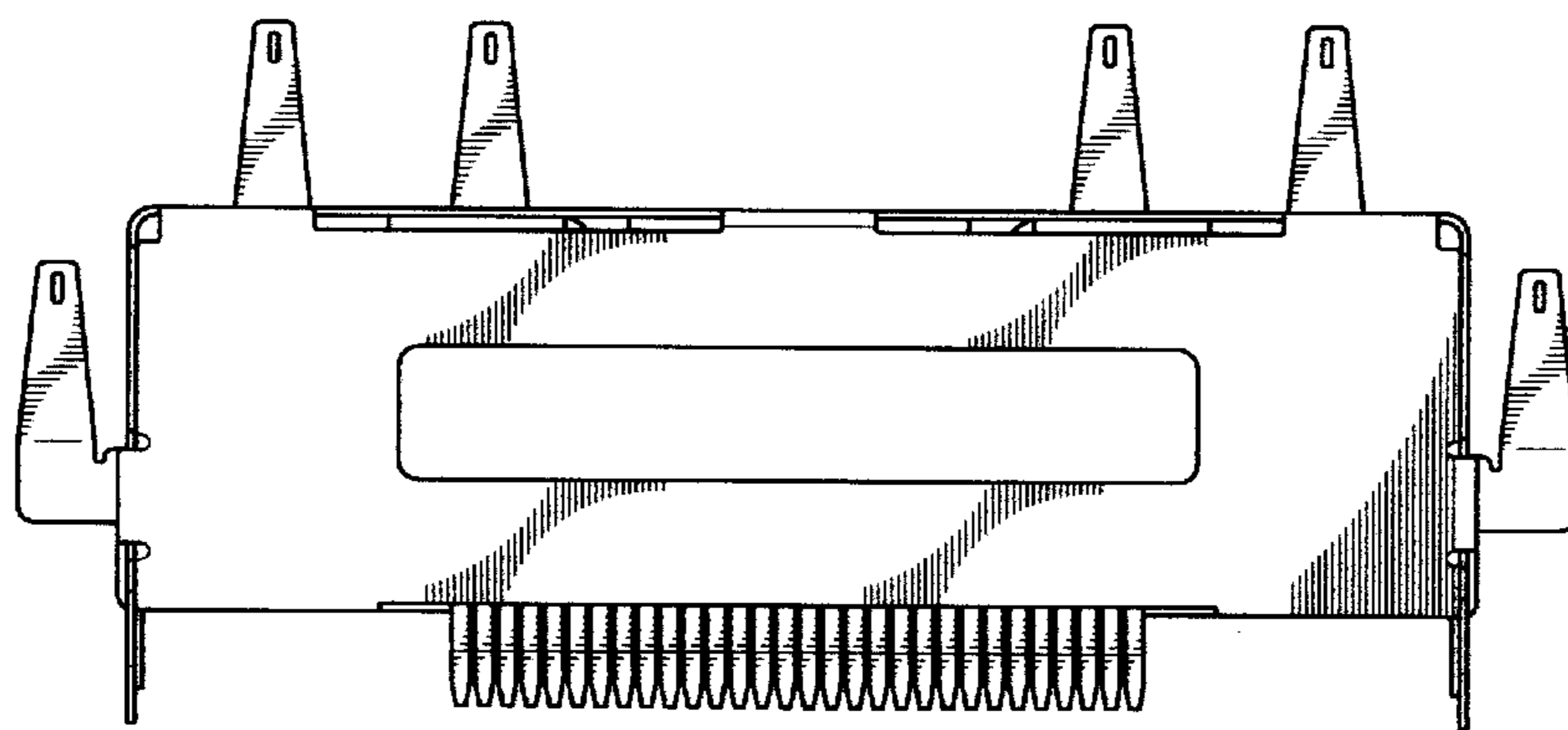


FIG. 3

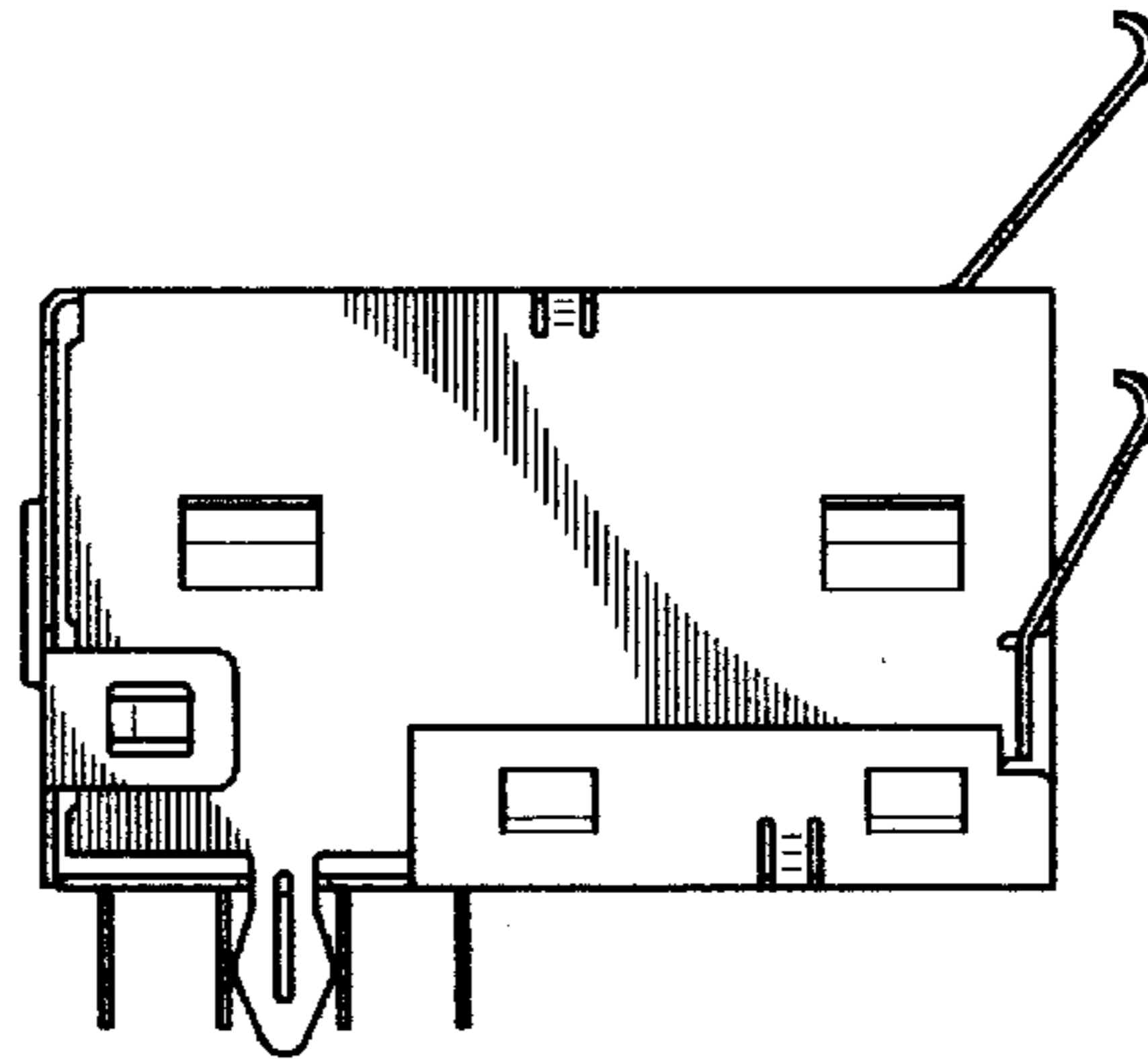


FIG. 4

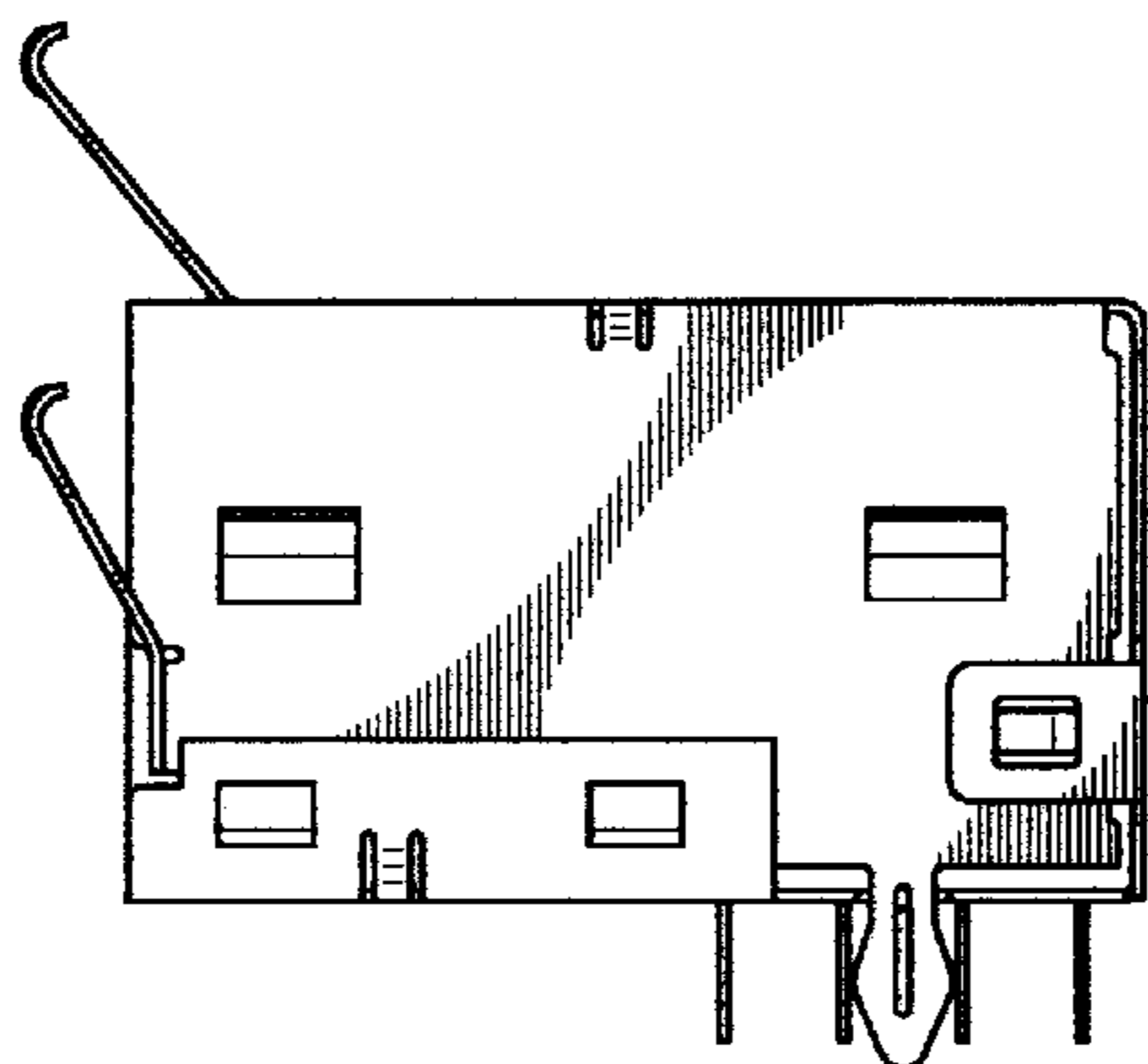


FIG. 5

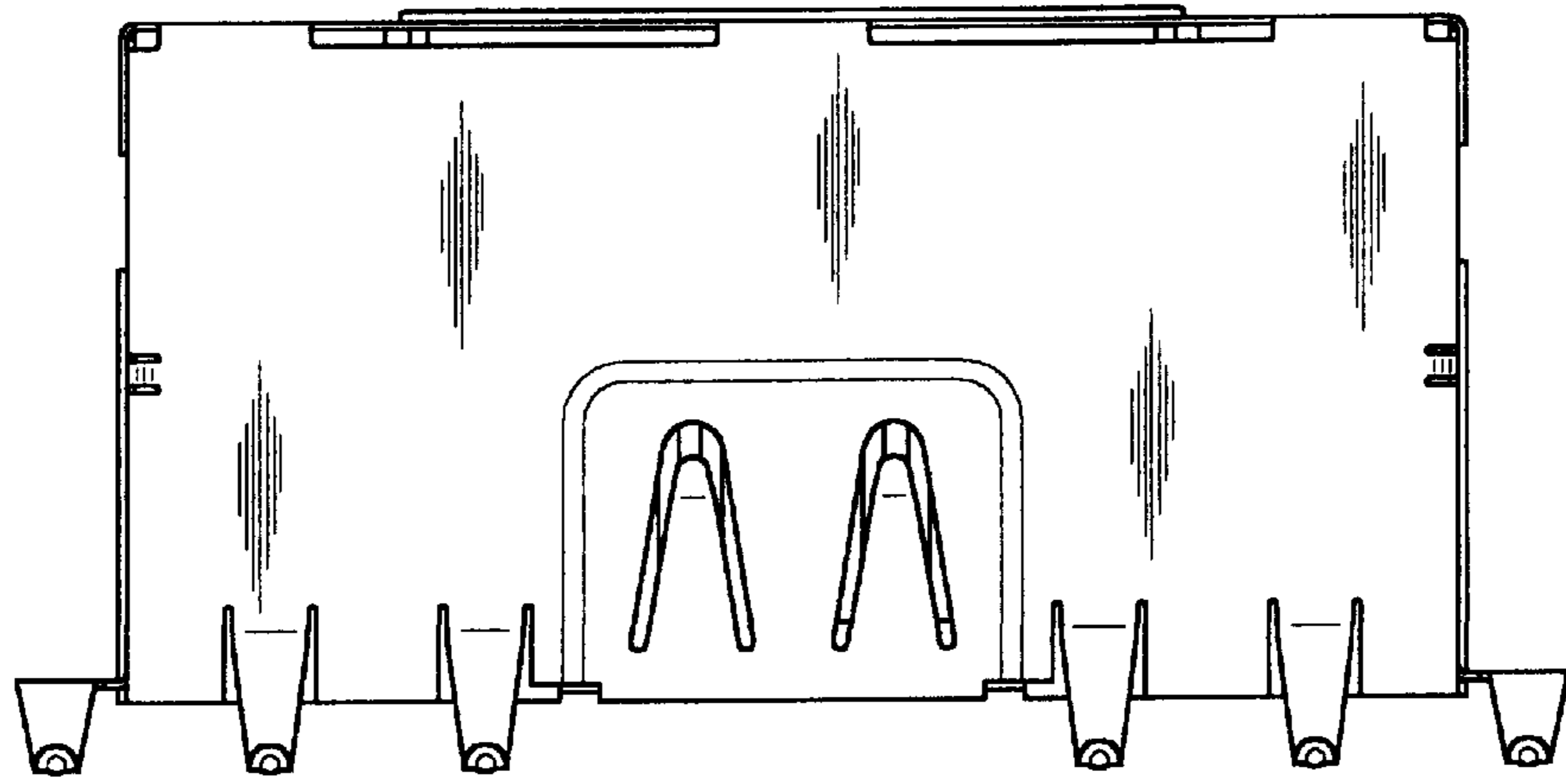


FIG. 6

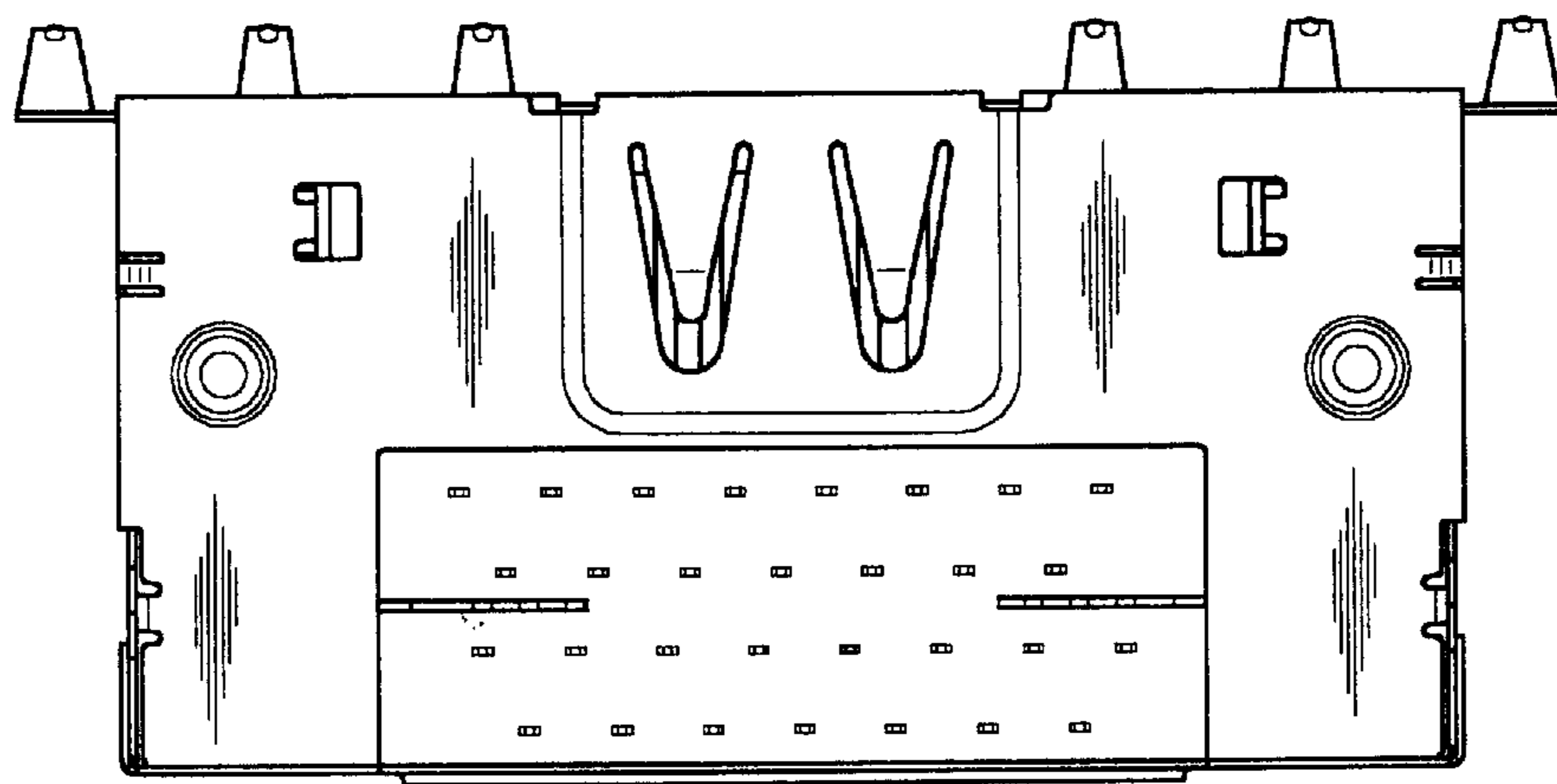


FIG. 7