

US00D527704S

(12) **United States Design Patent**
Rodarte

(10) **Patent No.:** **US D527,704 S**

(45) **Date of Patent:** **** Sep. 5, 2006**

(54) **CHARGING BOWL FOR A PORTABLE DIGITAL AUDIO PLAYER**

(75) **Inventor:** **Luis Ernesto Elizalde Rodarte,**
Durham, NC (US)

(73) **Assignee:** **International Business Machines Corporation,** Armonk, NY (US)

(**) **Term:** **14 Years**

(21) **Appl. No.:** **29/215,158**

(22) **Filed:** **Oct. 14, 2004**

(51) **LOC (8) Cl.** **13-02**

(52) **U.S. Cl.** **D13/108**

(58) **Field of Classification Search** D13/107–110,
D13/118–119, 184; D14/251, 253, 432, 434;
320/107–115

See application file for complete search history.

(56) **References Cited**

U.S. PATENT DOCUMENTS

| | | | | | |
|------------|---|---------|------------------|-------|---------|
| D242,675 S | * | 12/1976 | McNair | | D28/38 |
| D274,903 S | * | 7/1984 | Eckmann et al. | | D13/107 |
| D300,678 S | * | 4/1989 | Barrault | | D32/73 |
| D409,563 S | * | 5/1999 | Haase et al. | | D13/107 |
| D433,994 S | * | 11/2000 | Jobs et al. | | D13/110 |
| D467,539 S | * | 12/2002 | Kataoka | | D13/108 |
| D475,417 S | * | 6/2003 | Wintersteiger | | D21/329 |
| D503,692 S | * | 4/2005 | Basta | | D13/184 |
| D507,569 S | * | 7/2005 | Tagliabue et al. | | D14/356 |

D508,458 S * 8/2005 Solland et al. D13/108
2005/0058897 A1 * 3/2005 Andrews 429/163

* cited by examiner

Primary Examiner—Alan P. Douglas

Assistant Examiner—Rosemary K. Tarcza

(74) *Attorney, Agent, or Firm*—James R. Nock

(57) **CLAIM**

The ornamental design for a charging bowl for a portable digital audio player, as shown and described.

DESCRIPTION

This invention is related to a co-pending patent application, Ser. No. 29/213,910 entitled “Portable Digital Audio Player”, filed Sep. 23, 2004.

FIG. 1 is a perspective view of the charging bowl for a portable digital audio player;

FIG. 2 is a front view thereof;

FIG. 3 is a top view thereof, with the bowl empty;

FIG. 4 is a top view thereof, with a portable digital audio player residing within the bowl;

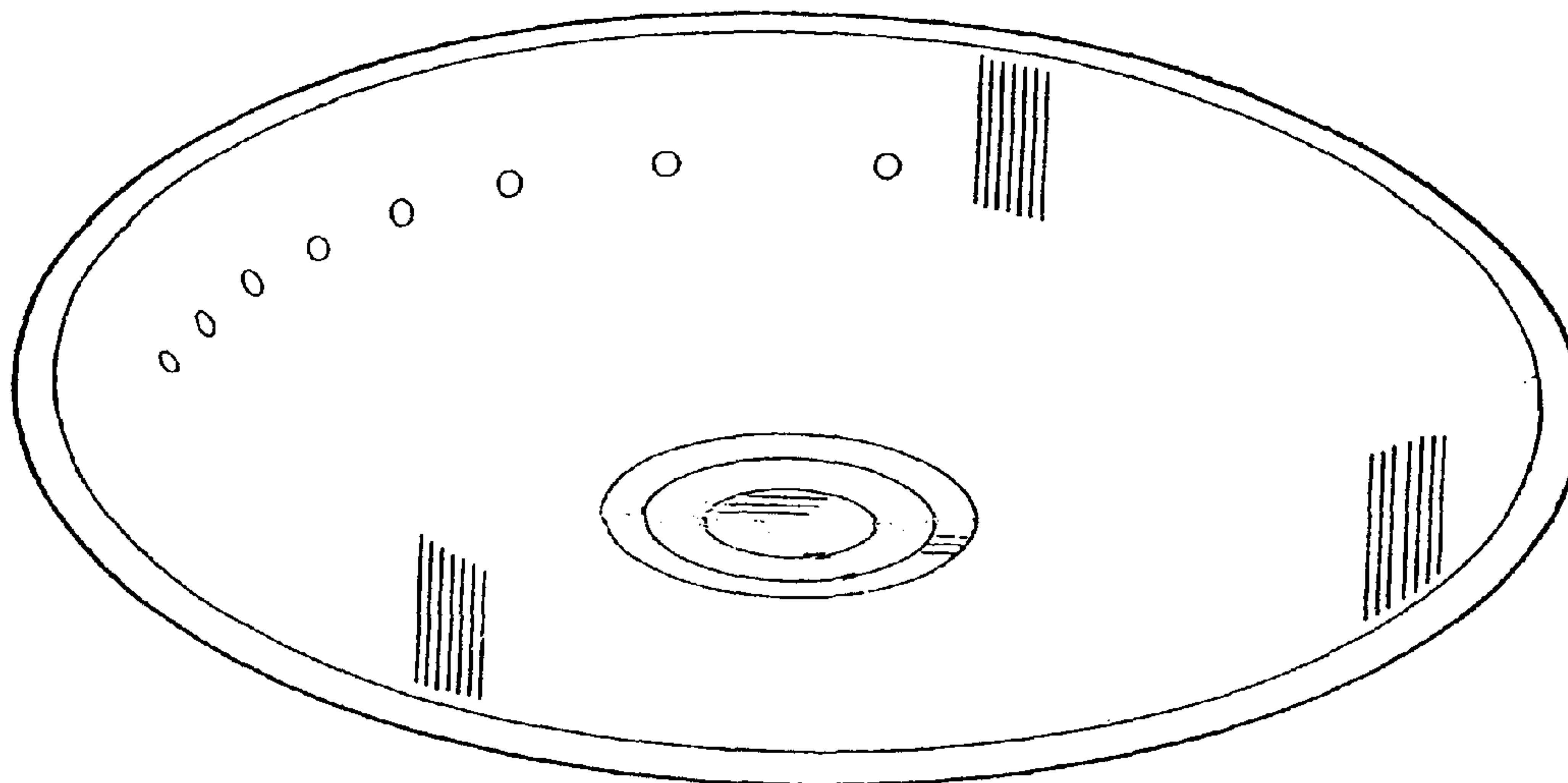
FIG. 5 is a bottom view thereof;

FIG. 6 is a cross-sectional view taken along line VI—VI indicated in FIG. 4; and,

FIG. 7 is a cross-sectional view taken along line VII—VII indicated in FIG. 3.

The broken line showing of the portable digital audio player in FIGS. 4 and 6 is for illustrative purposes only and forms no part of the claimed design.

1 Claim, 7 Drawing Sheets



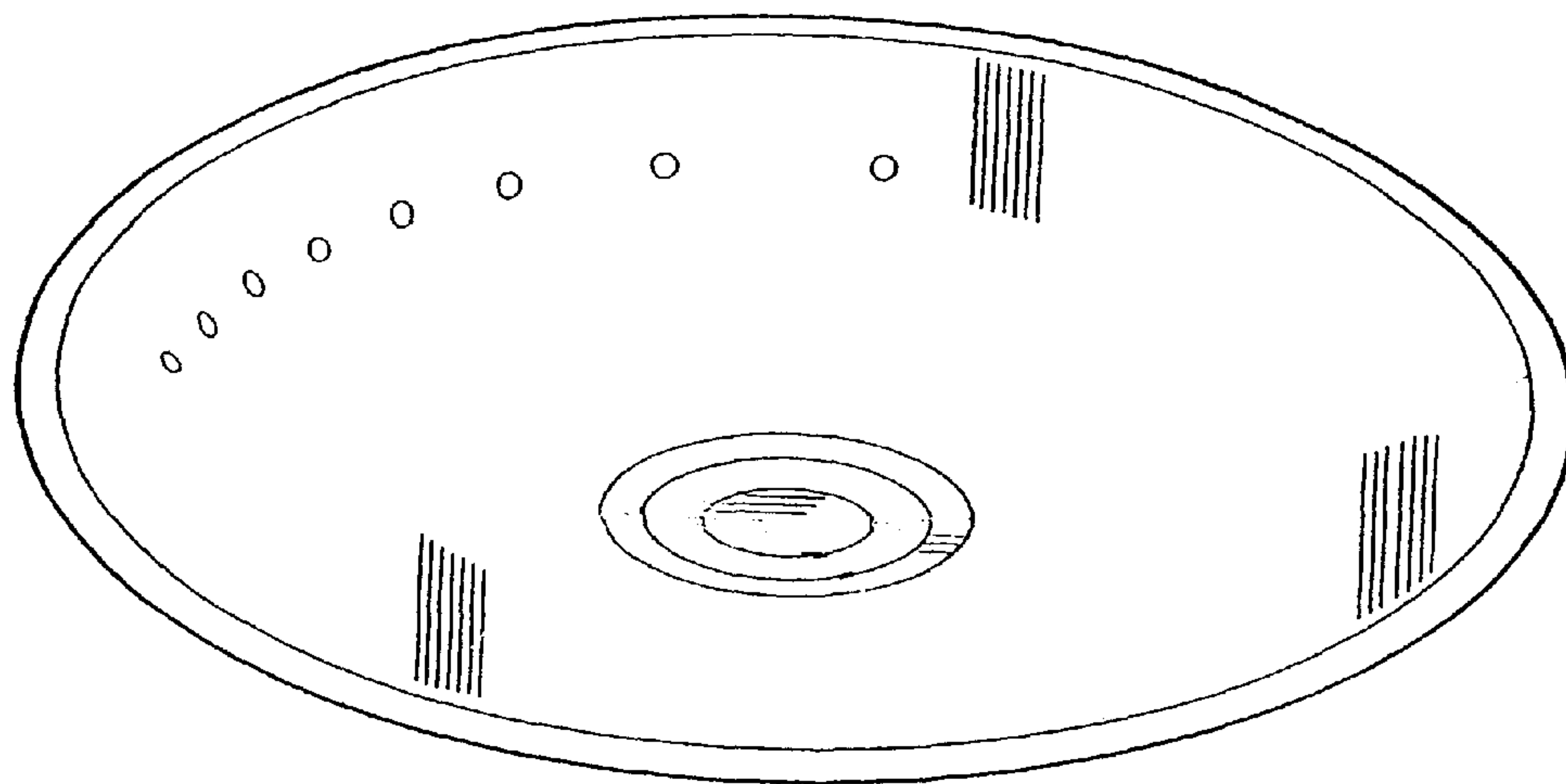


Fig. 1

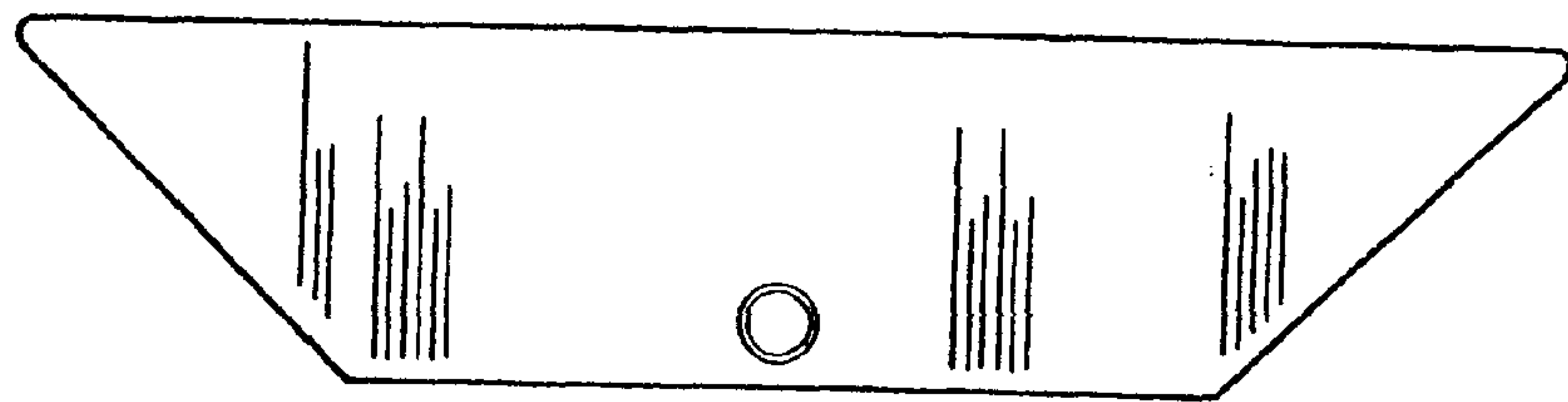


Fig. 2

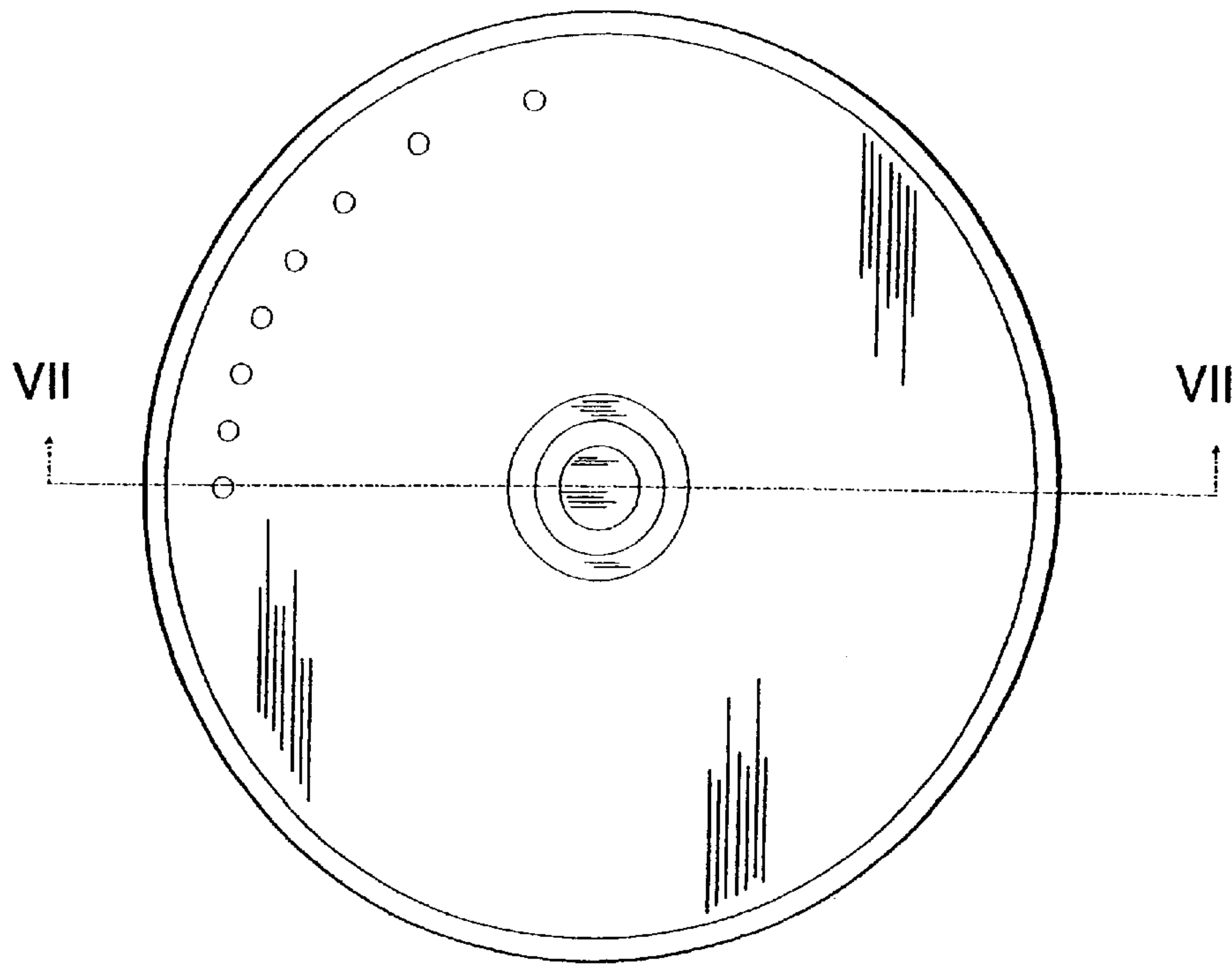


Fig. 3

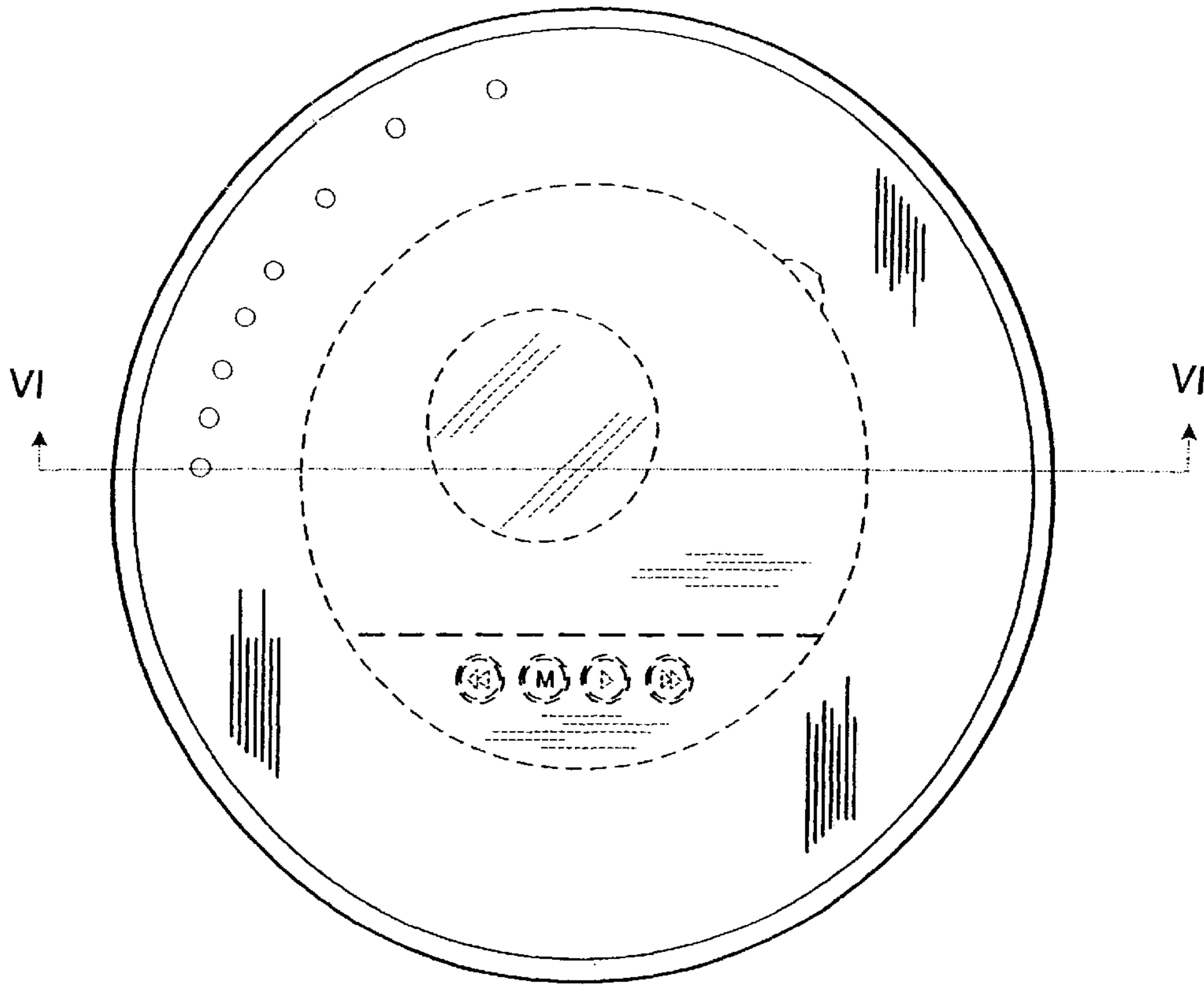


FIG. 4

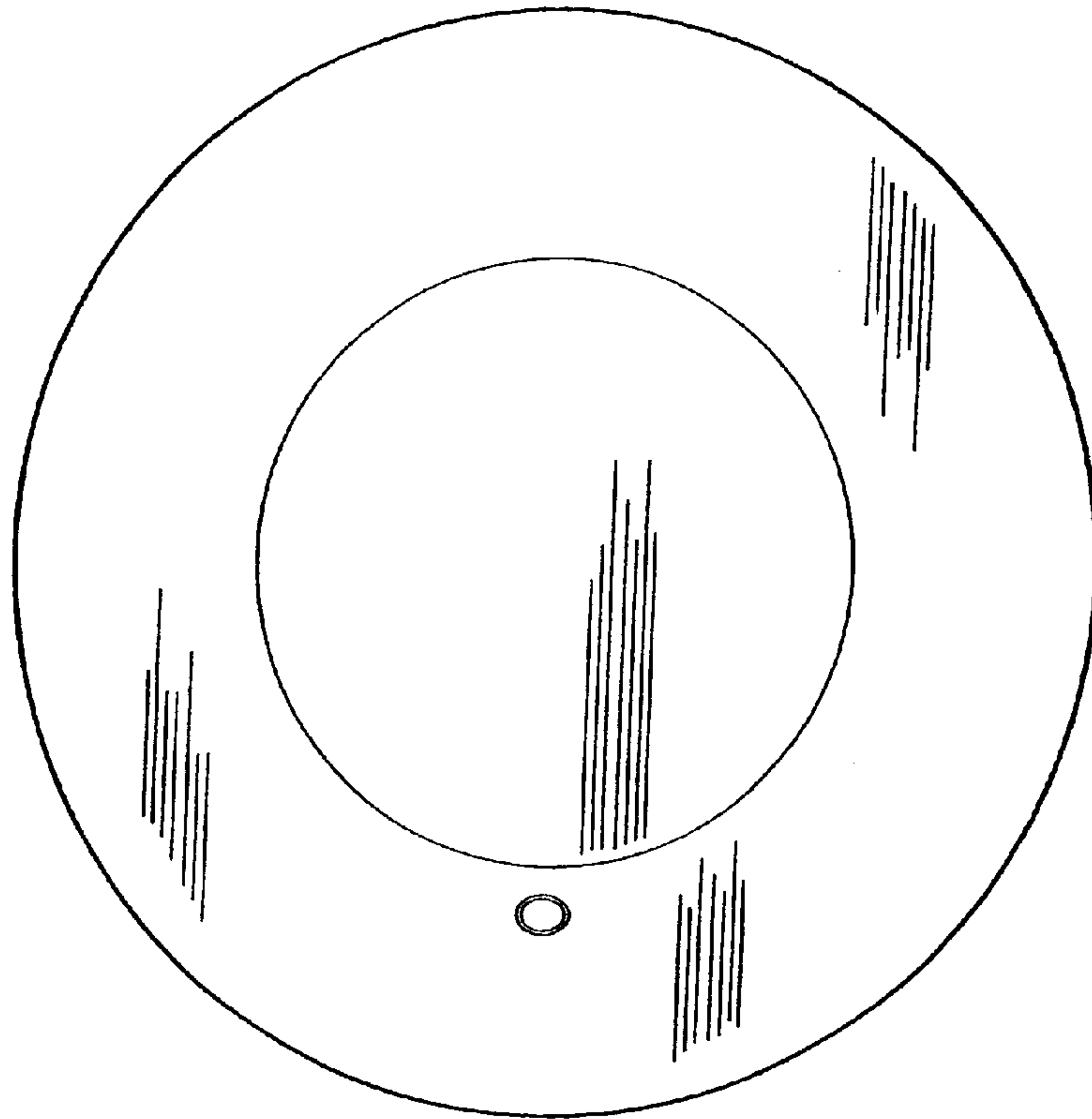


Fig. 5

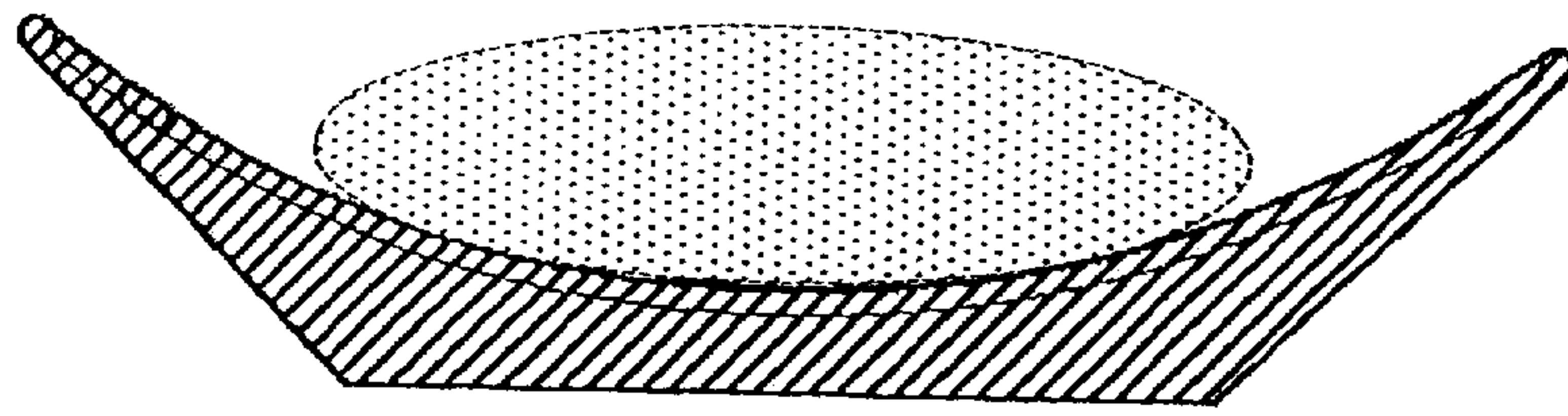


FIG. 6

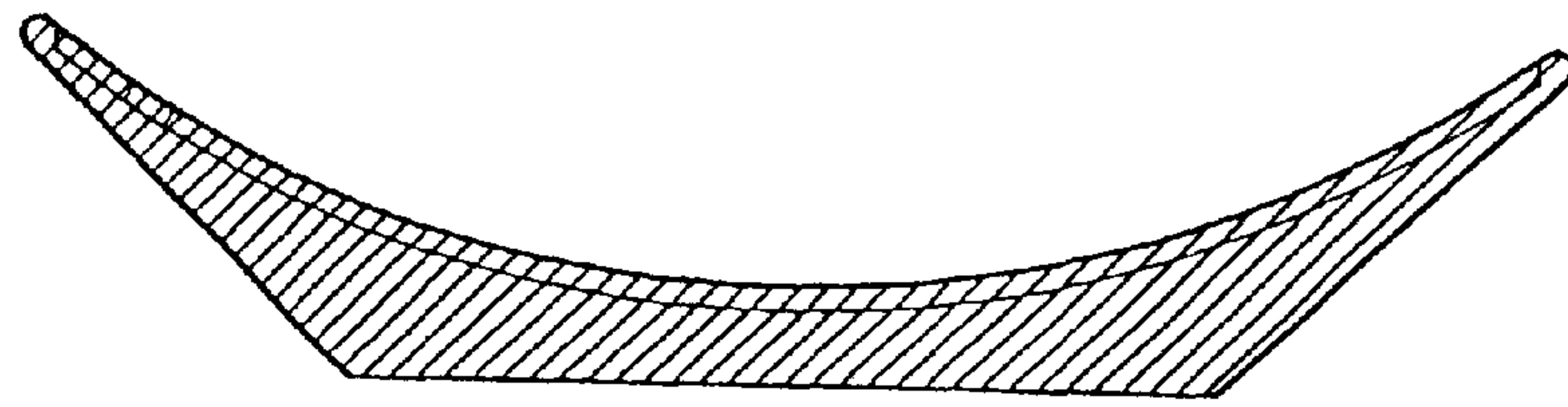


Fig. 7