

US00D527702S

(12) **United States Design Patent**  
**Mah**

(10) **Patent No.:** **US D527,702 S**

(45) **Date of Patent:** **\*\* Sep. 5, 2006**

(54) **UNDERWATER MOTIVE DEVICE**

(75) Inventor: **Pat Y. Mah**, Kowloon (HK)

(73) Assignee: **Daka Research Inc. (Br. Virg. Isl Corp.) Offshore Incorporations**, Tortolla (VG)

(\*\*) Term: **14 Years**

(21) Appl. No.: **29/214,881**

(22) Filed: **Oct. 8, 2004**

(51) **LOC (8) Cl.** ..... **12-06**

(52) **U.S. Cl.** ..... **D12/308**

(58) **Field of Classification Search** ..... D12/300,  
D12/308, 317; 114/312, 314, 315, 330, 331;  
D21/545

See application file for complete search history.

(56) **References Cited**

**U.S. PATENT DOCUMENTS**

|             |   |         |                   |       |         |
|-------------|---|---------|-------------------|-------|---------|
| D242,615 S  | * | 12/1976 | Henning           | ..... | D12/308 |
| 4,864,959 A | * | 9/1989  | Takamizawa et al. | ..... | 114/315 |
| D304,923 S  | * | 12/1989 | Pado              | ..... | D12/308 |
| 5,158,034 A | * | 10/1992 | Hsu               | ..... | 114/315 |

|                 |   |        |              |       |         |
|-----------------|---|--------|--------------|-------|---------|
| D359,022 S      | * | 6/1995 | Lashman      | ..... | D12/308 |
| 5,634,423 A     | * | 6/1997 | Lashman      | ..... | 114/315 |
| D447,109 S      | * | 8/2001 | Paoli et al. | ..... | D12/308 |
| D453,726 S      | * | 2/2002 | Dunn et al.  | ..... | D12/308 |
| D471,506 S      |   | 3/2003 | Mah          |       |         |
| 2004/0079272 A1 | * | 4/2004 | Mah          | ..... | 114/315 |

\* cited by examiner

*Primary Examiner*—Holly Baynham

*Assistant Examiner*—Cynthia M. Chin

(74) *Attorney, Agent, or Firm*—Curtis L. Harrington

(57) **CLAIM**

The ornamental design for an underwater motive device, as shown and described.

**DESCRIPTION**

FIG. 1 is a perspective view of the underwater motive device;

FIG. 2 is a left side view, the right side view being a mirror image of the left side view;

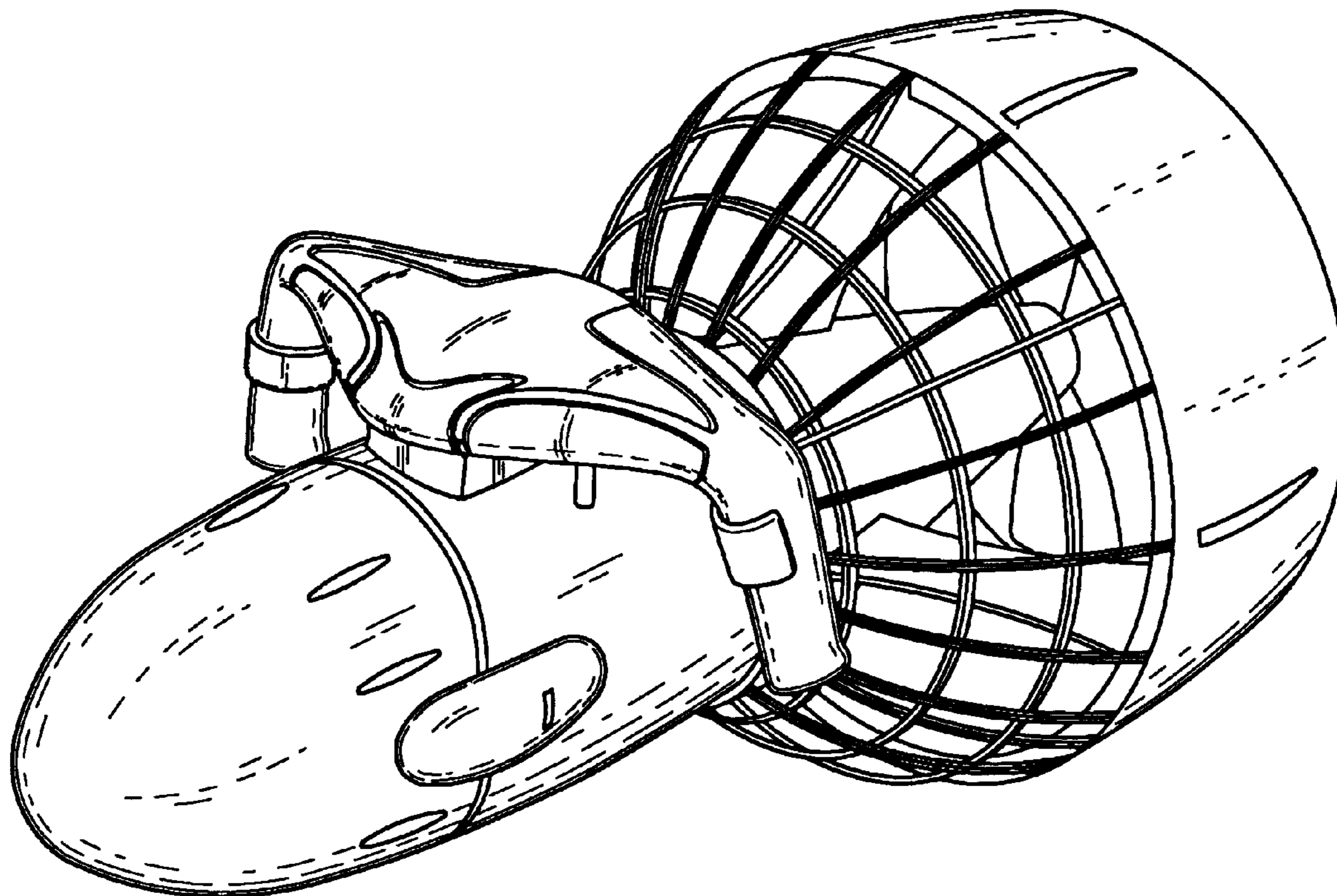
FIG. 3 is a front view;

FIG. 4 is a rear view;

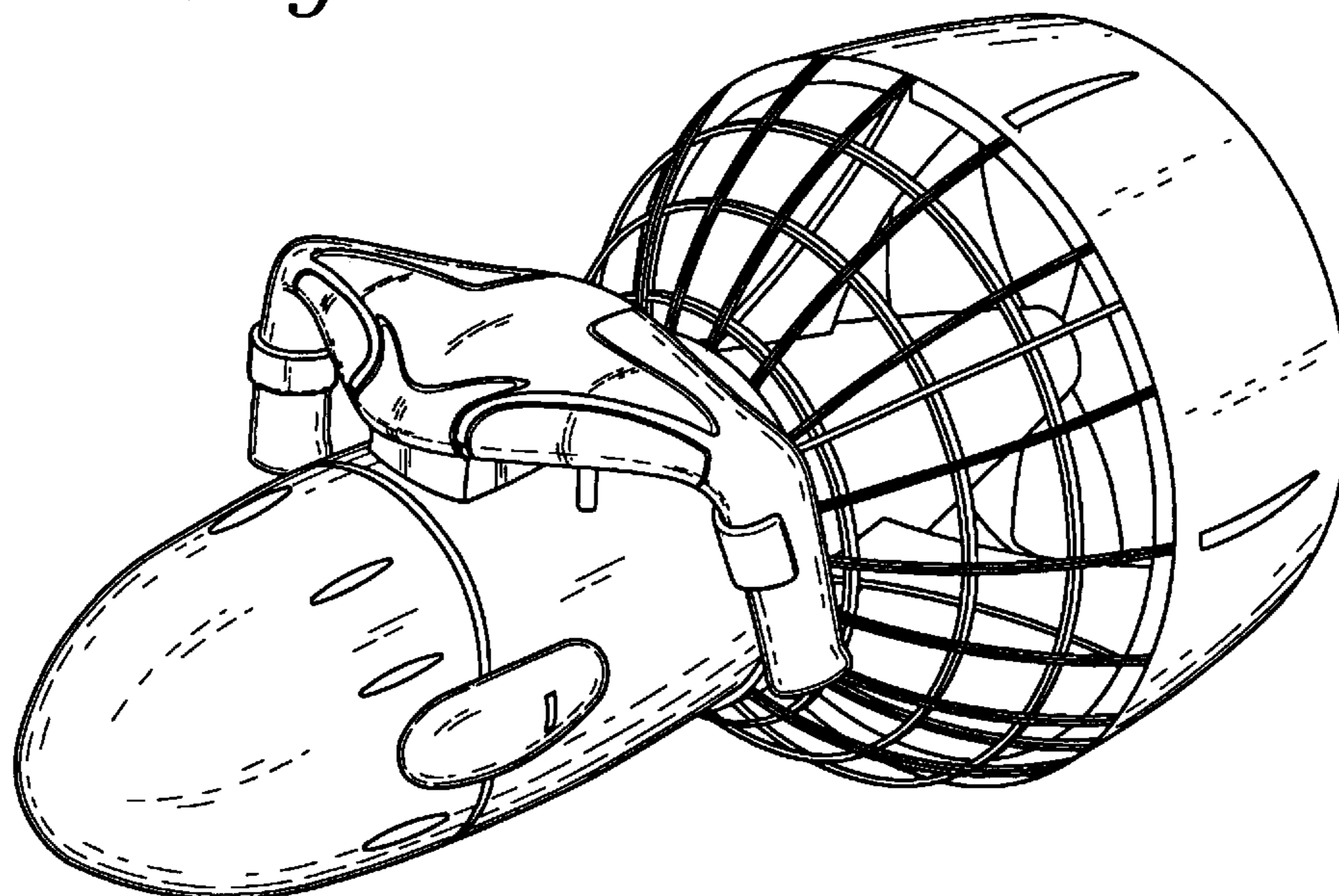
FIG. 5 is a top view; and,

FIG. 6 is a bottom view.

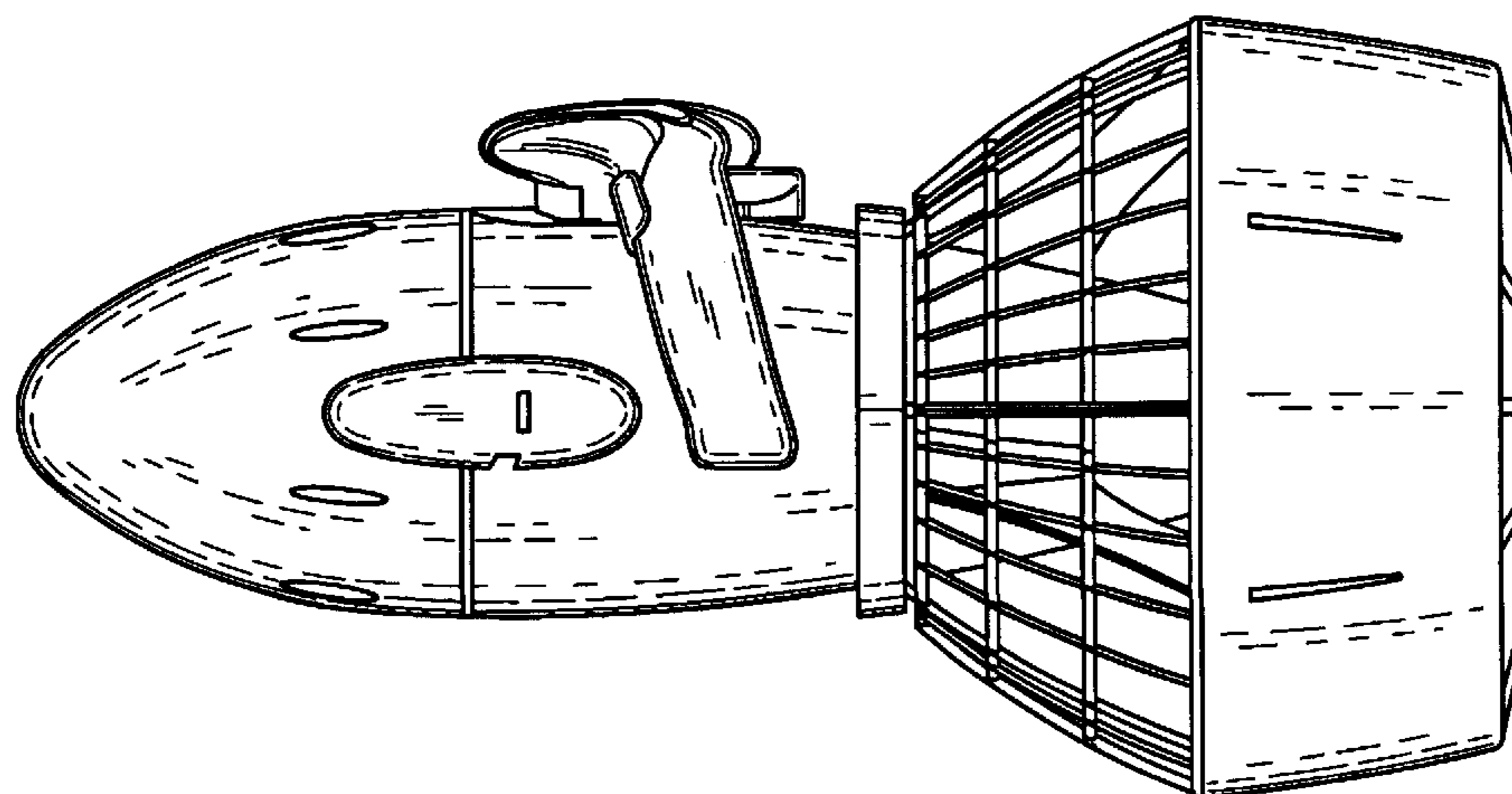
**1 Claim, 3 Drawing Sheets**



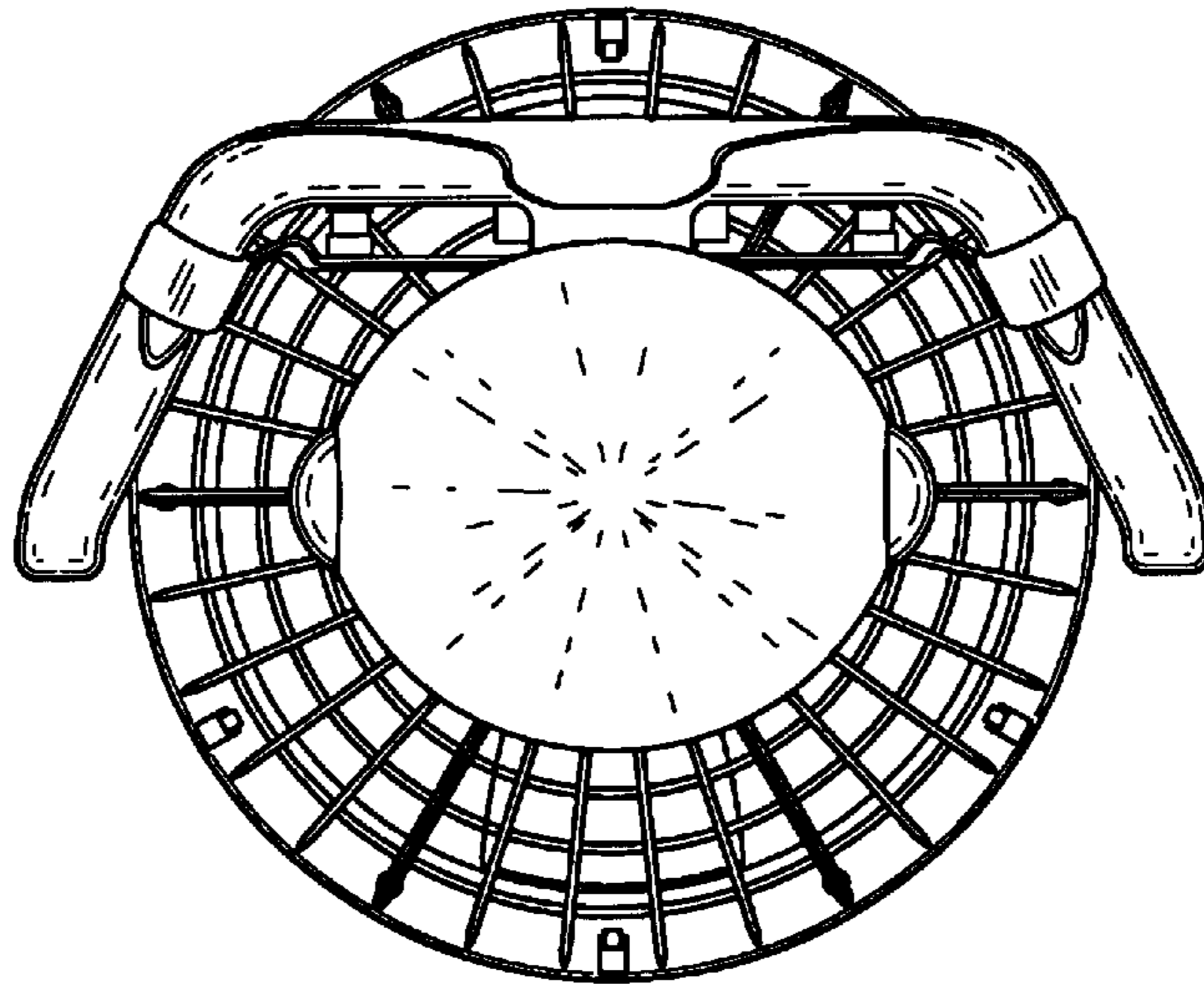
*Fig. 1*



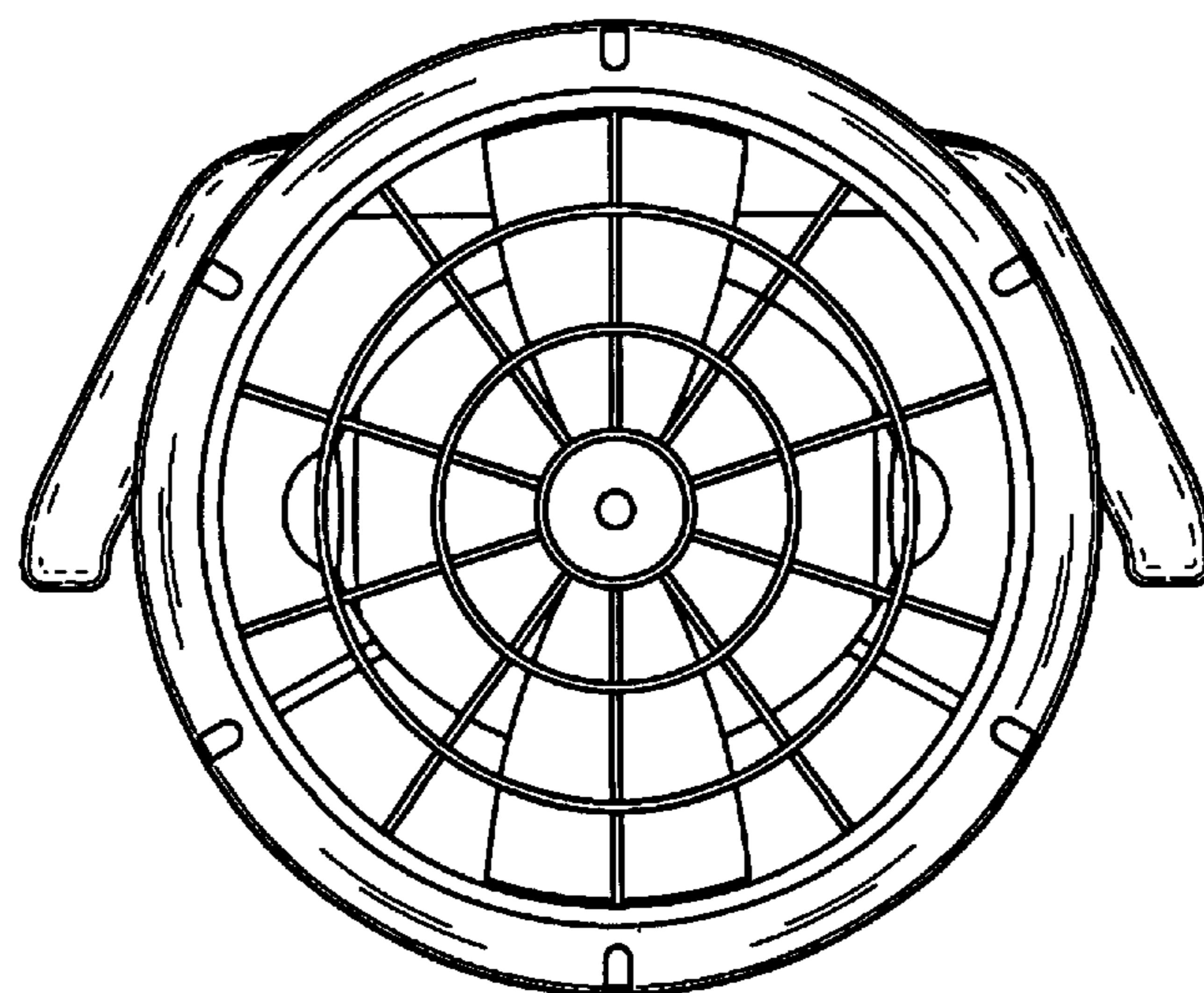
*Fig. 2*



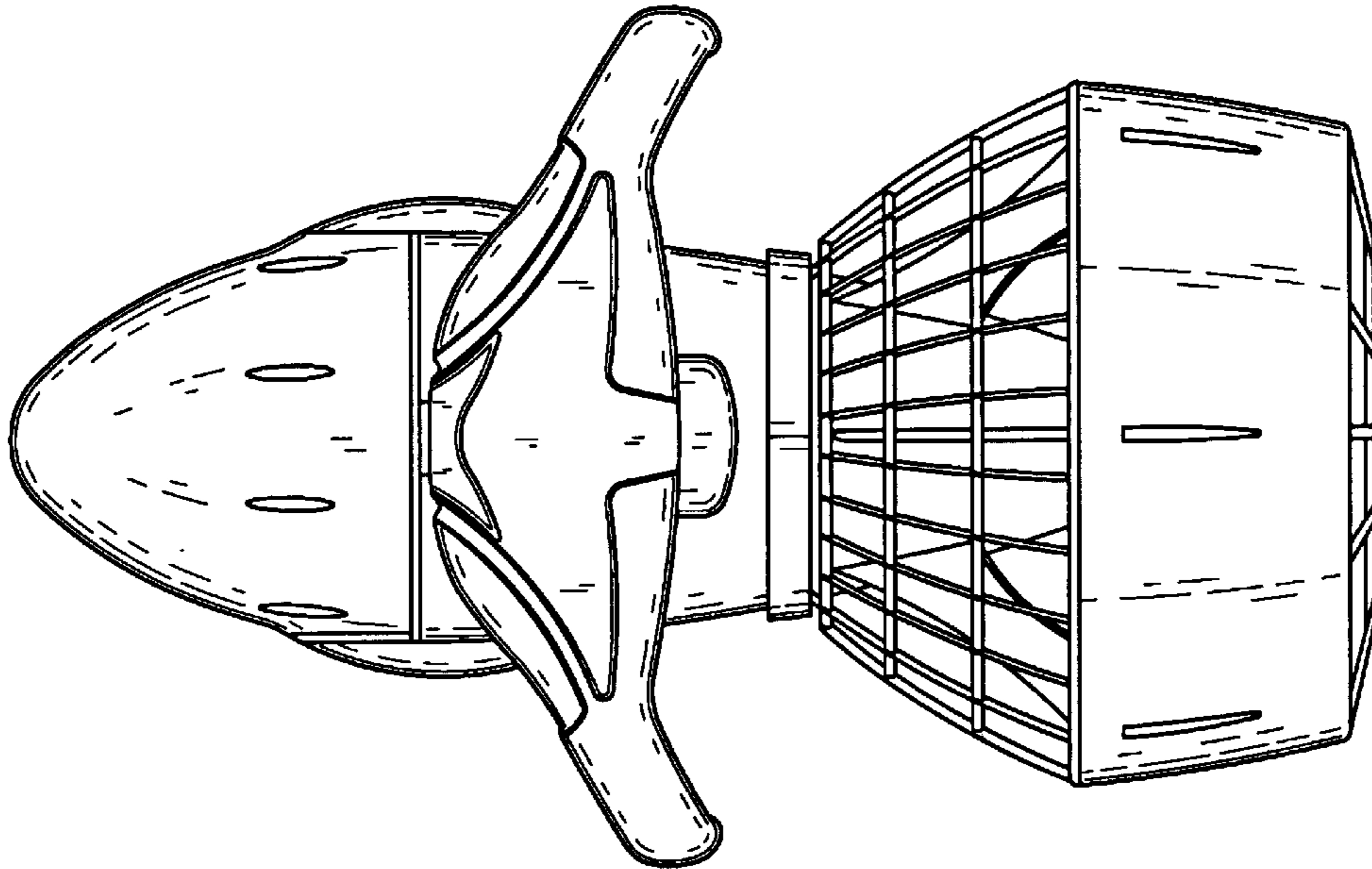
*Fig. 3*



*Fig. 4*



*Fig. 5*



*Fig. 6*

