



US00D527701S

(12) **United States Design Patent**  
**Bucaccio et al.**

(10) **Patent No.:** **US D527,701 S**

(45) **Date of Patent:** **\*\* Sep. 5, 2006**

(54) **PERSONAL WATERCRAFT**

(75) Inventors: **Thomas A Bucaccio**, Sebastian, FL  
(US); **Shannon G Cassell**, Pickens, SC  
(US); **Louis Morasse**, Bromont (CA);  
**Paul Bramel**, Palm Bay, FL (US)

(73) Assignee: **Bombardier Recreational Products**  
**Inc.**, Valcourt (CA)

(\*\*) Term: **14 Years**

(21) Appl. No.: **29/216,305**

(22) Filed: **Nov. 2, 2004**

(51) **LOC (8) Cl.** ..... **12-06**

(52) **U.S. Cl.** ..... **D12/307**

(58) **Field of Classification Search** ..... D12/300,  
D12/307, 316, 317; 114/55.5, 55.55, 55.56,  
114/55.7, 270, 271, 357, 380; 248/300  
See application file for complete search history.

(56) **References Cited**

**U.S. PATENT DOCUMENTS**

D286,629 S \* 11/1986 Suzuki et al. .... D12/307  
D287,846 S \* 1/1987 Nishida ..... D12/307

D289,990 S \* 5/1987 Suzuki et al. .... D12/307  
D306,279 S \* 2/1990 Nakagawa ..... D12/307  
D314,365 S \* 2/1991 Nakagawa ..... D12/307  
5,131,346 A \* 7/1992 Ohta et al. .... 114/55.56  
D350,324 S \* 9/1994 Miller ..... D12/307  
D483,449 S \* 12/2003 Shimizugami ..... D23/307

\* cited by examiner

*Primary Examiner*—Holly Baynham

*Assistant Examiner*—Cynthia M. Chin

(74) *Attorney, Agent, or Firm*—BRP Legal Services

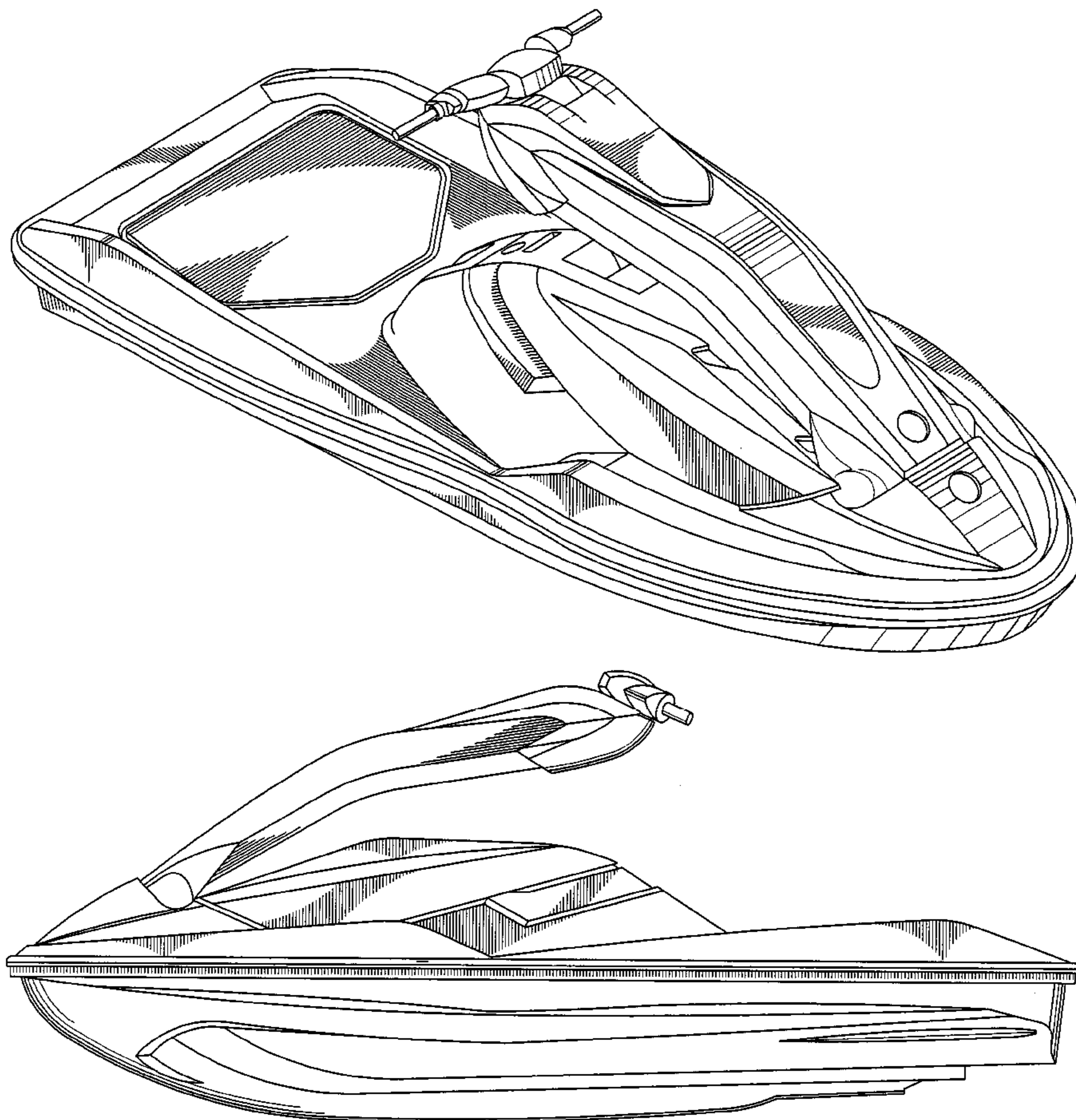
(57) **CLAIM**

The ornamental design for a personal watercraft, as shown and described.

**DESCRIPTION**

FIG. 1 is a front right perspective view of a personal watercraft according to our design;  
FIG. 2 is a front elevation view thereof;  
FIG. 3 is a rear elevation view thereof;  
FIG. 4 is a top plan view thereof;  
FIG. 5 is a bottom plan view thereof;  
FIG. 6 is a left side elevation view thereof; and,  
FIG. 7 is a right side elevation view thereof.

**1 Claim, 6 Drawing Sheets**



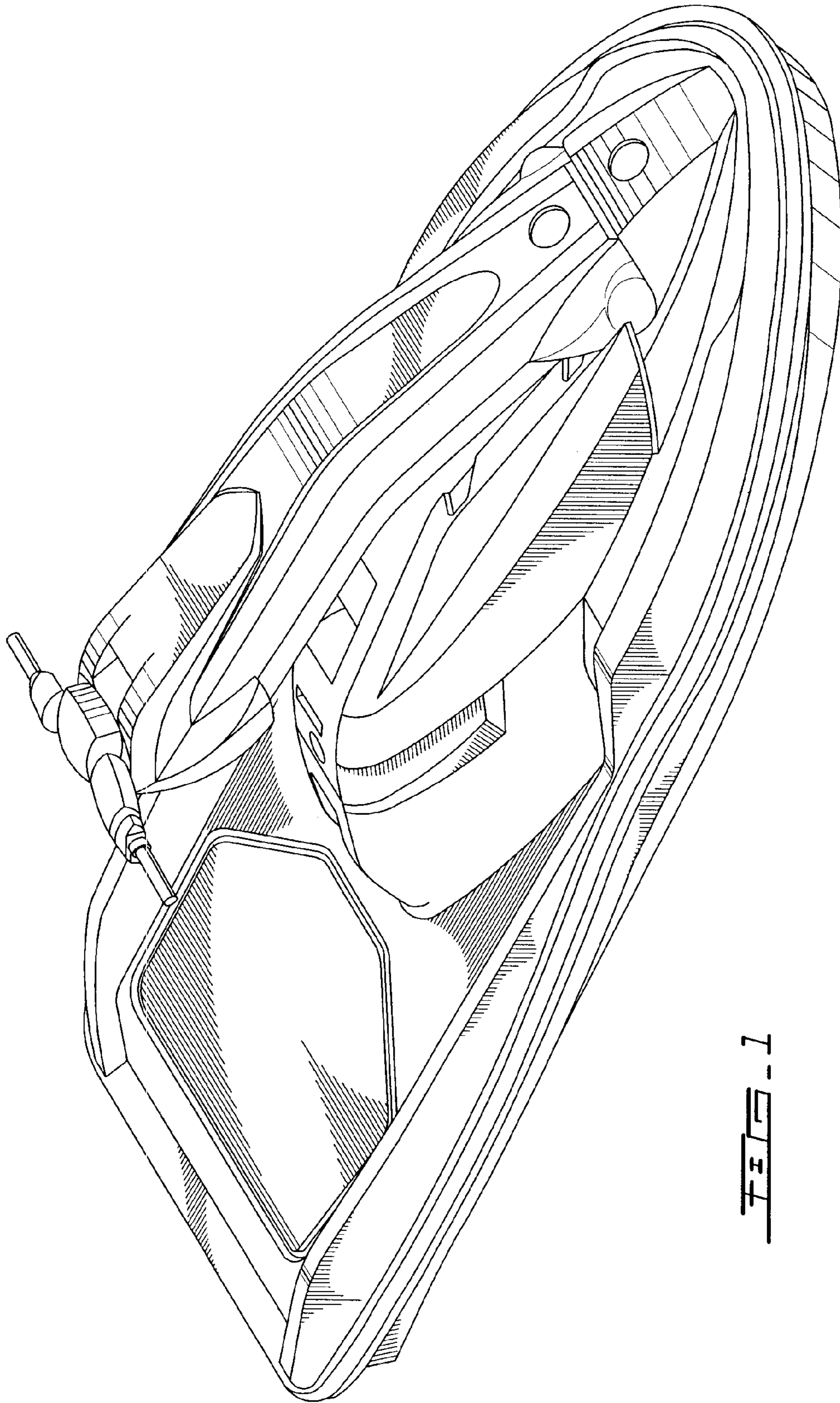


FIG. 1

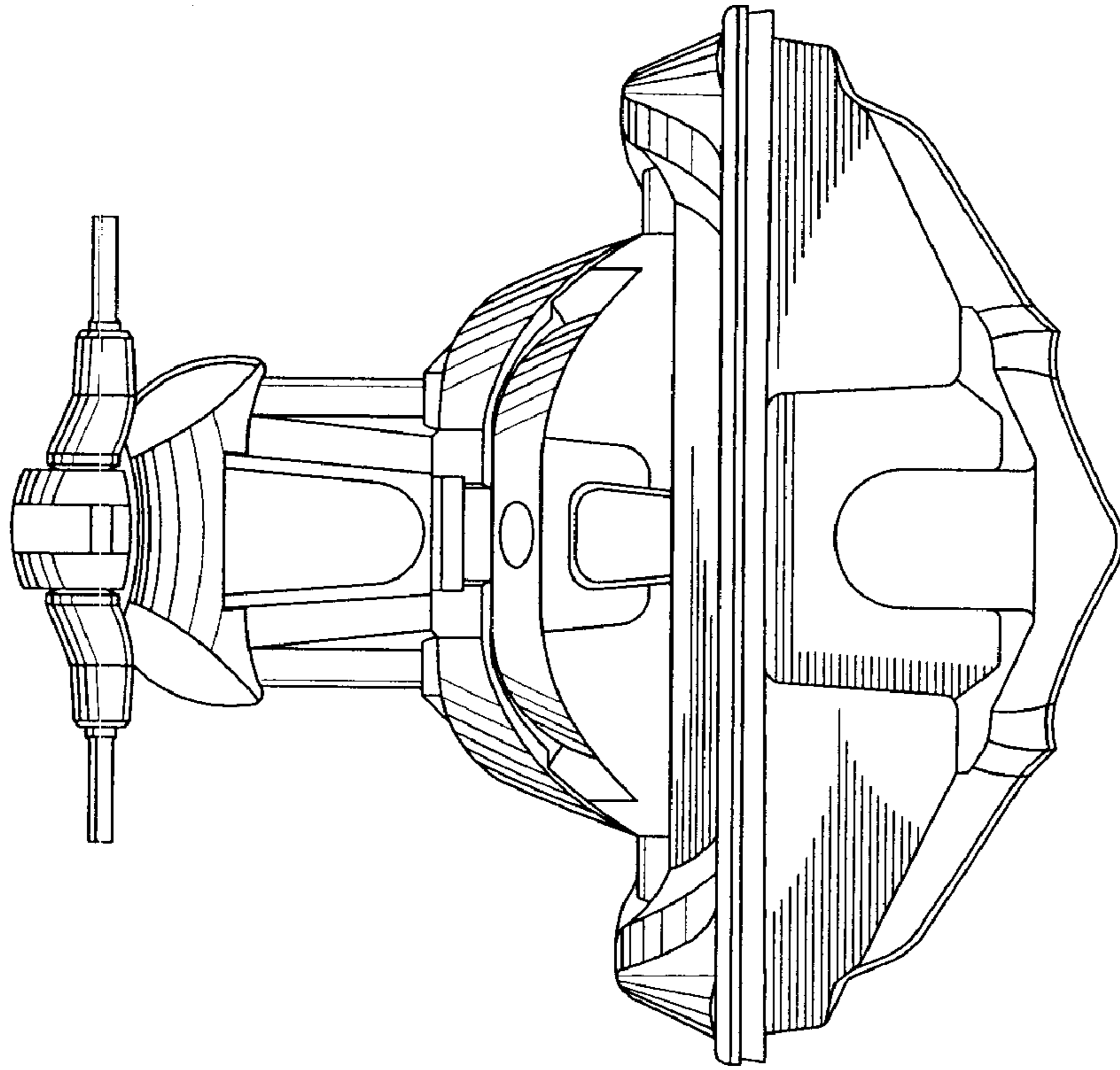


FIG. 3

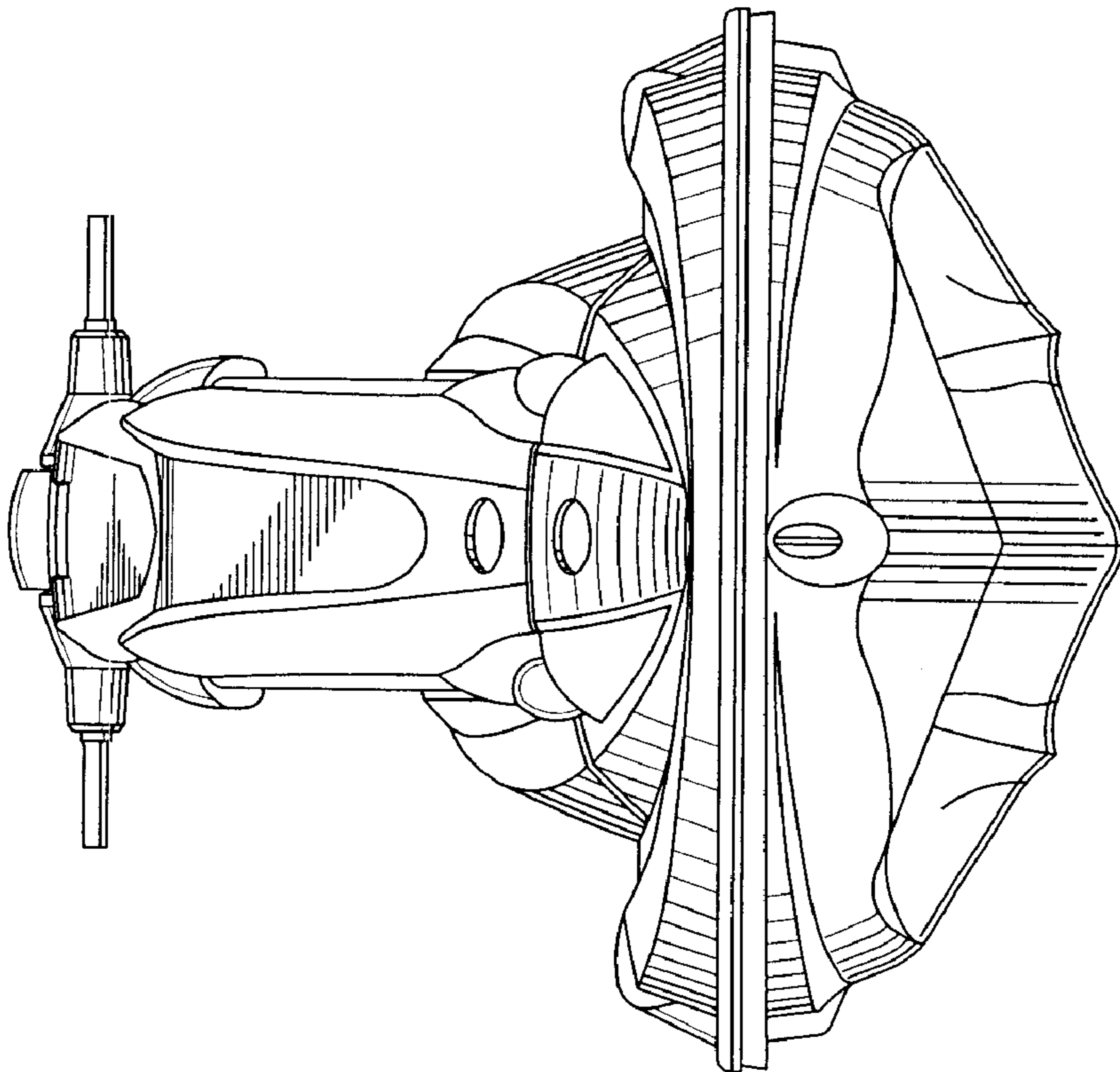


FIG. 2

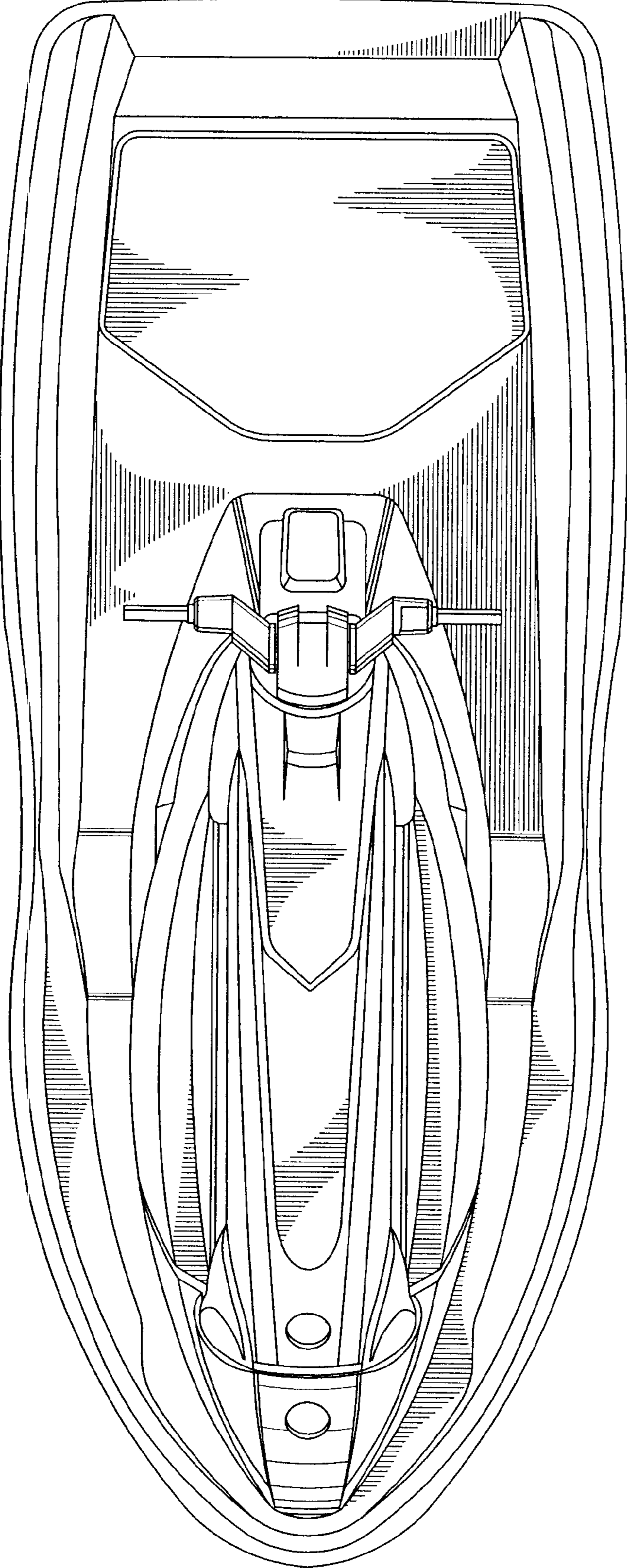


FIG. 4

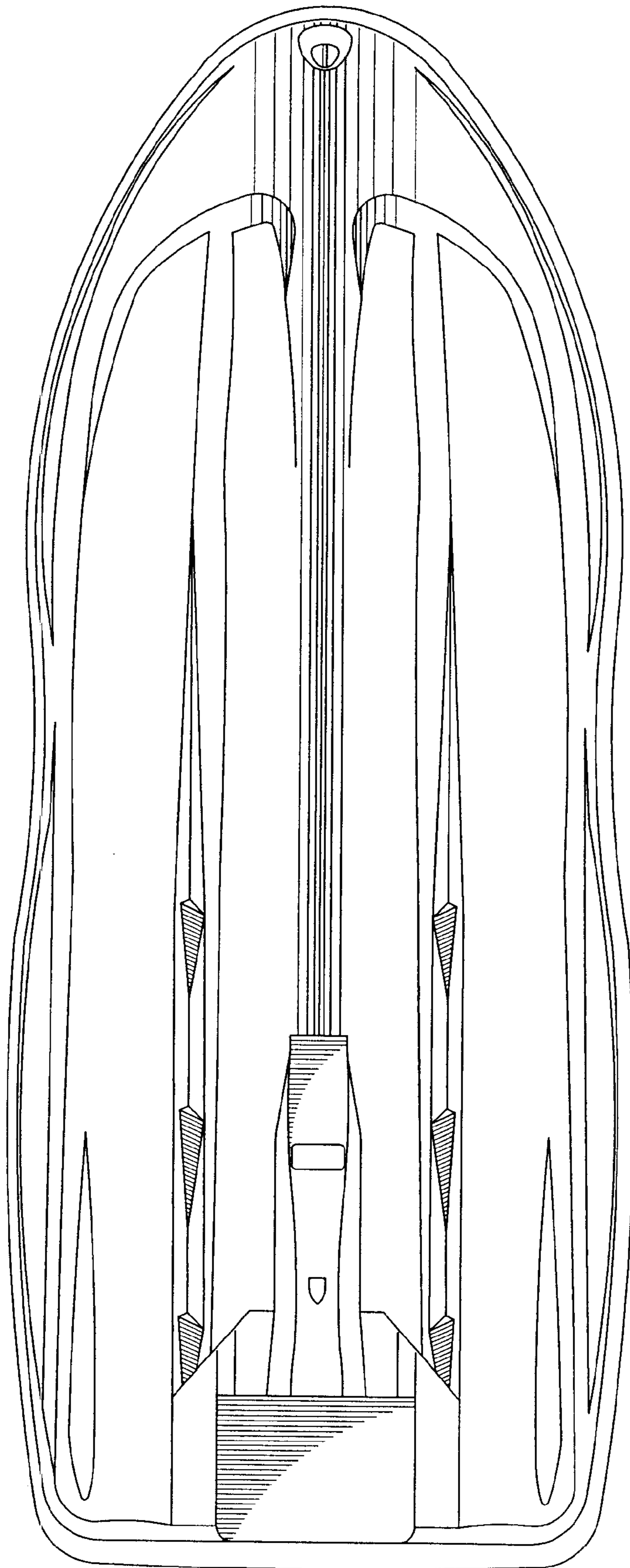


FIG. 5

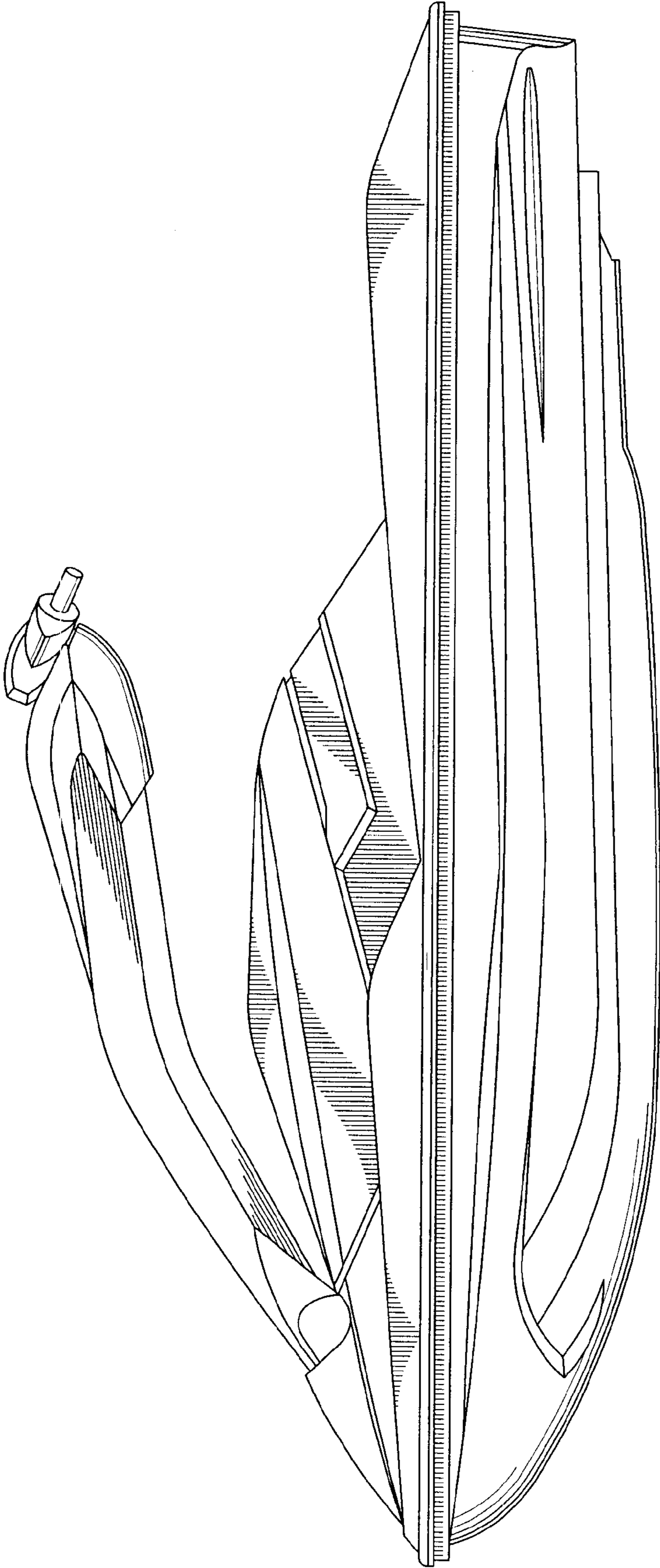


FIG. 5

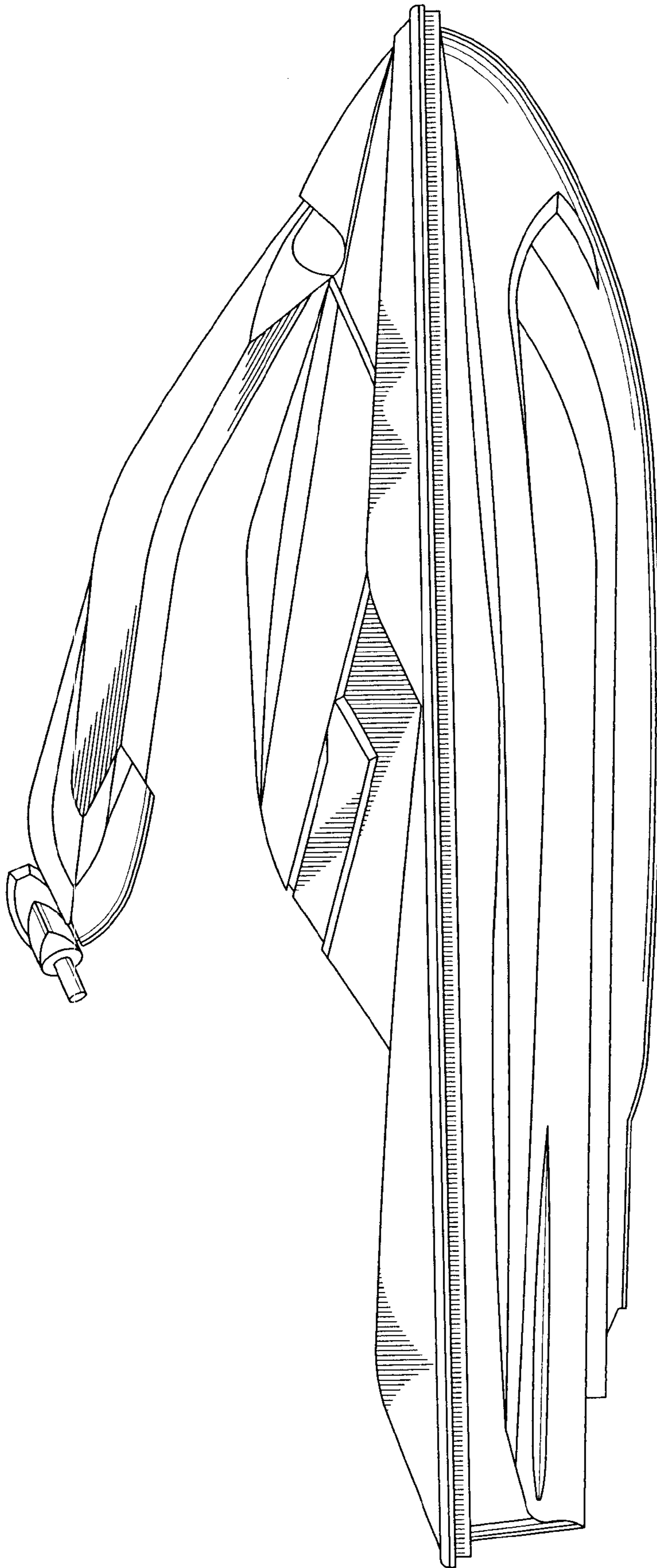


FIG. 7