



US00D527683S

(12) **United States Design Patent**
Turvey

(10) **Patent No.:** **US D527,683 S**

(45) **Date of Patent:** **** Sep. 5, 2006**

(54) **COMBINED SWIVEL SLIDER BODY WITH LOOP FOR RECLOSABLE BAGS**

(75) Inventor: **Robert R. Turvey**, Sanford, MI (US)

(73) Assignee: **S.C. Johnson Home Storage, Inc.**, Racine, WI (US)

(**) Term: **14 Years**

(21) Appl. No.: **29/222,494**

(22) Filed: **Jan. 31, 2005**

(51) **LOC (8) Cl.** **09-07**

(52) **U.S. Cl.** **D11/221; D9/434**

(58) **Field of Classification Search** D8/349,
D8/356, 367, 382; 403/11, 164-165, 78,
403/2; D22/135; 174/185; D13/133, 154;
D3/707-712; 294/82.1; D11/221, 200, 201;
24/415-417, 419, 421, 427-431

See application file for complete search history.

(56) **References Cited**

U.S. PATENT DOCUMENTS

24,588 A	6/1859	Macphail	56/367
371,044 A	10/1887	Dimes	211/41.2
710,803 A	10/1902	Richmond	452/166
873,440 A	12/1907	Kerr	312/290
1,349,084 A	8/1920	Moore	211/41.11
1,447,627 A	3/1923	Primoshic	
1,527,282 A	2/1925	Steadman	217/5
1,658,392 A	2/1928	Prentice	217/5
1,866,464 A	7/1932	Hallowell et al.	312/201
1,897,717 A	2/1933	Appel	108/26
1,994,195 A	3/1935	Hay	211/41.11
2,017,698 A	10/1935	Levy	40/1.5
2,056,878 A	10/1936	Wineholt	248/316.1
D114,268 S	4/1939	Poux	
2,155,760 A	4/1939	Hy	248/311.2
2,315,573 A	4/1943	Yaffa	248/311.2
2,499,898 A	3/1950	Anderson	24/206
2,791,807 A	5/1951	Morin	18/59
2,593,697 A	4/1952	Reilly	108/149

(Continued)

FOREIGN PATENT DOCUMENTS

DE	DE 2960190477 U	3/1998
WO	WO 02/43547	6/2002
WO	WO 02/071631	9/2002

OTHER PUBLICATIONS

Int'l Search Report dated Aug. 16, 2004, Appl. No. PCT/US03/37798.

Web Page "Two-shot Moulding Service Cuts Production Costs" at www.engineeringtalk.com/newsceecce_125.html dated Jan. 27, 2005.

Primary Examiner—Holly Baynham

(57) **CLAIM**

The ornamental design for a combined swivel slider body with loop for reclosable bags, as shown and described.

DESCRIPTION

FIG. 1 is a perspective view of a combined swivel slider body with loop for reclosable bags showing my new design; FIG. 2 is a perspective view of the loop of FIG. 1 with the swivel slider body portion removed;

FIG. 3 is a rear elevational view of the loop of FIG. 2;

FIG. 4 is a side elevational view of the loop of FIG. 2;

FIG. 5 is a top plan view of the loop of FIG. 2;

FIG. 6 is a bottom plan view of the loop of FIG. 2;

FIG. 7 is a perspective view of the swivel slider body of FIG. 1 with the loop portion removed;

FIG. 8 is a front elevational view of the swivel slider body of FIG. 7;

FIG. 9 is a rear elevational view of the swivel slider body of FIG. 7;

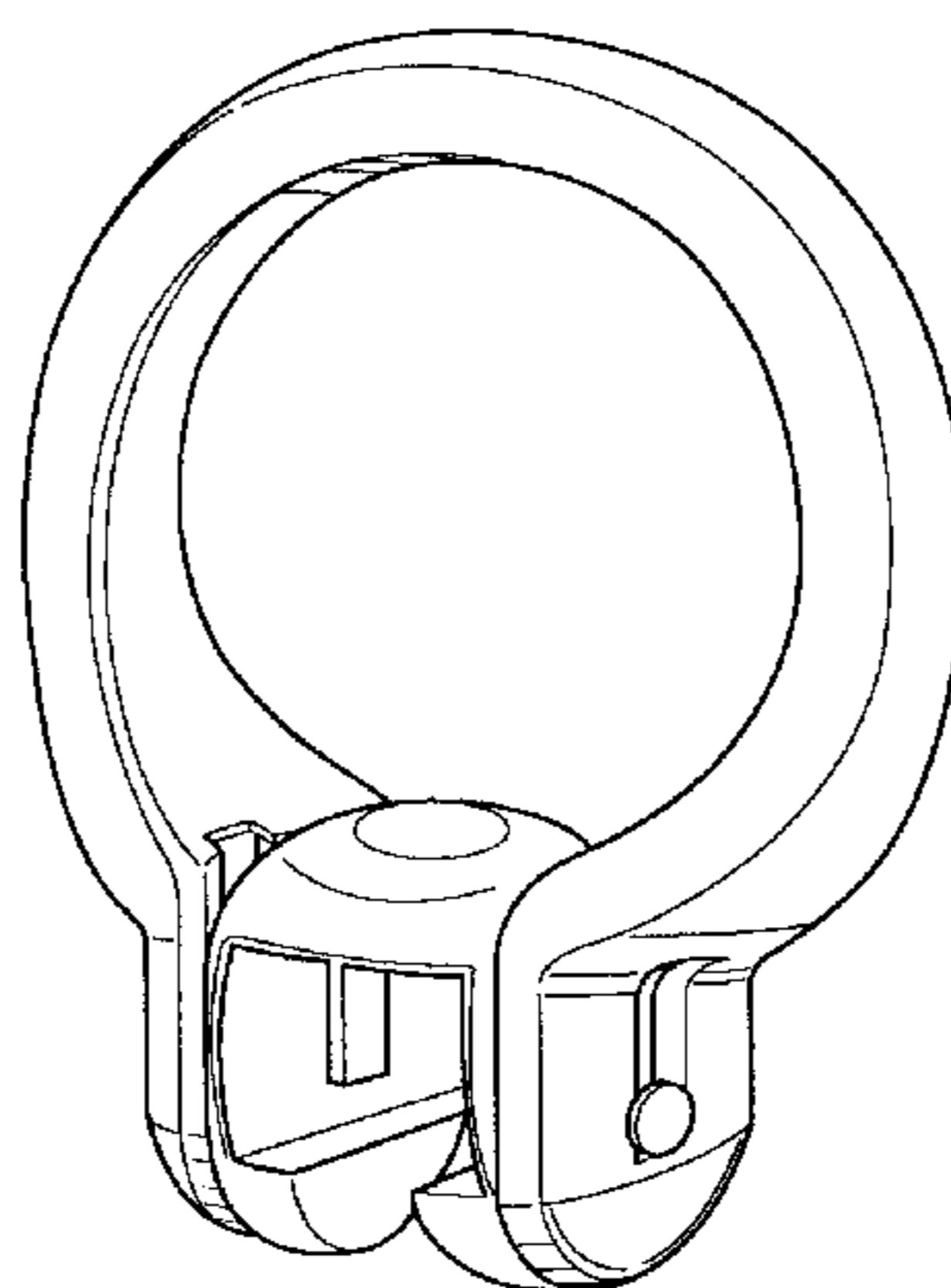
FIG. 10 is a side elevational view of the swivel slider body of FIG. 7;

FIG. 11 is a top plan view of the swivel slider body of FIG. 7; and,

FIG. 12 is a bottom plan view of the swivel slider body of FIG. 7.

The loop (FIGS. 2-6) and swivel slider body (FIGS. 7-12) are shown separate for clarity of illustration.

1 Claim, 5 Drawing Sheets



U.S. PATENT DOCUMENTS

2,600,755 A	6/1952	Greensfelder	211/41.11	4,808,875 A	2/1989	Edwards	312/245
2,643,046 A	6/1953	Humphreys	248/110	4,812,056 A	3/1989	Zieke	383/65
2,715,759 A	8/1955	Poux	24/20	4,832,290 A	5/1989	Baglio	248/95
2,886,085 A	5/1959	Sanger	150/1.6	4,854,530 A	8/1989	Baglio	248/95
3,001,678 A	9/1961	Maxwell	224/600	D305,431 S	1/1990	Adams	D8/367
3,110,467 A	11/1963	Dube	248/110	4,899,974 A	2/1990	Wear et al.	248/467
3,279,330 A	10/1966	Harding	93/35	4,928,358 A	5/1990	Ishii et al.	24/431
3,302,859 A	2/1967	Perry	229/53	4,929,225 A	5/1990	Ausnit et al.	493/213
3,338,285 A	8/1967	Jaster	150/3	4,929,487 A	5/1990	Tilman et al.	428/163
3,343,233 A	9/1967	Gould	24/400	4,930,735 A	6/1990	Lax	248/101
3,381,887 A	5/1968	Lowry	229/62.5	4,932,560 A	6/1990	Roen	221/26
3,395,428 A	8/1968	Schnabel	24/67.11	4,955,749 A *	9/1990	Panovic	403/11
3,399,429 A	9/1968	Goodman	24/67 R	D312,181 S	11/1990	Terner	D6/526
3,413,053 A	11/1968	Featherston	312/304	D312,385 S	11/1990	Hamann	D8/367
3,419,191 A	12/1968	Bunger	222/93	4,976,015 A	12/1990	Ishii	24/429
3,462,332 A	8/1969	Goto	156/244	4,979,668 A	12/1990	Allen et al.	229/125.39
3,557,413 A	1/1971	Engle	24/201	4,984,338 A	1/1991	Akashi	24/431
3,600,764 A	7/1971	Froehlich, Jr.	24/545	4,995,530 A	2/1991	Tabor	221/46
3,608,439 A	9/1971	Ausnit	93/35 R	4,996,800 A	3/1991	Mangus	206/524.8
3,679,511 A	7/1972	Ausnit	156/251	4,998,630 A	3/1991	Schwartz	211/85.15
3,679,531 A	7/1972	Wienand et al.	161/48	5,002,200 A	3/1991	Hunt	221/1
3,707,271 A	12/1972	Sanchez et al.	248/101	5,039,902 A	8/1991	Schwarz	312/248
3,729,242 A	4/1973	Barney	312/107	5,050,272 A	9/1991	Robinson et al.	24/30.5 R
3,861,630 A	1/1975	Ady	248/100	5,088,162 A	2/1992	Allan	24/442
3,923,278 A	12/1975	Marcil	248/301	5,088,164 A	2/1992	Wilson et al.	24/584.1
3,955,789 A	5/1976	Baumrind	248/311.3	5,094,414 A	3/1992	Eddy, Jr.	248/95
3,991,801 A	11/1976	Ausnit	150/3	5,097,570 A	3/1992	Gershenson	24/452
D247,147 S	2/1978	Dicks et al.	D6/332	5,113,555 A	5/1992	Wilson et al.	24/576
4,140,355 A	2/1979	Swain	312/330.1	D326,601 S *	6/1992	Smith	D8/356
4,143,485 A	3/1979	Stewart	221/312 R	D329,344 S	9/1992	Carillo	D6/515
4,170,424 A *	10/1979	Boehm	403/164	5,172,980 A	12/1992	Provost	383/204
4,176,817 A	12/1979	Jones	248/313	5,179,767 A	1/1993	Allan	24/442
4,187,068 A	2/1980	Vassar	425/381	5,209,574 A	5/1993	Tilman	383/63
4,224,974 A	9/1980	Anderson et al.	160/178.1 R	5,211,481 A	5/1993	Tilman	383/63
441,913 A	12/1980	Weisbauer	131/241	5,216,787 A	6/1993	Custer et al.	24/587
4,241,668 A	12/1980	Carroll	108/26	5,219,588 A	6/1993	England et al.	425/189
4,244,974 A	1/1981	Minami et al.	426/94	5,242,646 A	9/1993	Torigoe et al.	264/219
4,256,685 A	3/1981	Vassar	264/167	5,259,904 A	11/1993	Ausnit	156/244.15
4,304,382 A	12/1981	Jelen	248/220.42	5,267,711 A	12/1993	Perreault	248/101
4,356,600 A	11/1982	Welch	24/30.5 R	D346,423 S *	4/1994	Kitagawa	D8/367
4,390,102 A	6/1983	Lane	211/85.29	D346,734 S *	5/1994	Rohr	D8/349
4,394,791 A	7/1983	Groth	24/30.5 R	D348,302 S *	6/1994	Gois	D22/135
4,396,123 A	8/1983	Swan	211/40	5,343,233 A	8/1994	Abe	347/119
4,419,159 A	12/1983	Herrington	156/66	5,343,659 A	9/1994	Zaleski	52/54
4,430,070 A	2/1984	Ausnit	493/215	5,344,109 A	9/1994	Hokoana, Jr.	248/100
D276,389 S	11/1984	Fellhoelter	D6/552	D353,492 S	12/1994	Goodman et al.	D6/323
4,484,352 A	11/1984	Katzin	383/65	D354,676 S *	1/1995	Izumi et al.	D8/367
4,522,678 A	6/1985	Zieke	156/501	5,379,489 A	1/1995	Delk et al.	24/30.5 R
4,532,652 A	7/1985	Herrington	383/103	5,383,586 A	1/1995	Leivan	224/547
4,537,330 A	8/1985	Gelbard	221/26	5,384,942 A	1/1995	Siegel	24/587
4,540,537 A	9/1985	Kamp	264/171	5,394,993 A	3/1995	Gravell et al.	211/12
4,541,117 A	9/1985	Ashbeck	383/64	5,467,949 A	11/1995	Lemke	248/95
4,577,914 A	3/1986	Stravitz	312/0	5,477,969 A	12/1995	Beeskau et al.	211/90.02
4,580,754 A	4/1986	Hughes	248/323	5,480,030 A	1/1996	Sweeney et al.	206/524.8
4,603,434 A	7/1986	Herrington	383/95	5,494,250 A	2/1996	Chen	248/316.7
4,629,075 A	12/1986	Hutten	211/89.01	5,509,734 A	4/1996	Ausnit	383/63
4,632,472 A	12/1986	Bross	312/246	5,524,762 A	6/1996	Shafran et al.	206/554
4,641,756 A	2/1987	Brown	211/85.3	5,527,112 A	6/1996	Dais et al.	383/211
4,653,818 A	3/1987	DeBruyn	312/246	D375,161 S	10/1996	Hart	D24/134
D289,140 S	4/1987	Fischer et al.	D8/373	D376,749 S	12/1996	Hertzog	D8/349
4,656,697 A	4/1987	Naslund	24/30.5 P	5,586,687 A	12/1996	Spamer et al.	221/298
4,665,557 A	5/1987	Kamp	383/63	5,603,417 A	2/1997	Blair	211/71
4,700,849 A	10/1987	Wagner	211/41.2	5,614,232 A	3/1997	Torigoe et al.	425/545
4,701,358 A	10/1987	Behr et al.	428/35	5,660,284 A	8/1997	Vaughn	211/41.1
4,744,196 A	5/1988	Gallo	53/375.4	5,743,438 A	4/1998	Sokolnicki	222/181.1
4,755,248 A	7/1988	Geiger et al.	156/244.25	5,747,126 A	5/1998	Van Erden et al.	428/35.2
4,785,971 A	11/1988	Konarik	221/312 R	5,797,170 A	8/1998	Akeno	24/452
4,787,522 A	11/1988	Nocek et al.	211/85.15	5,813,549 A	9/1998	Sheehan et al.	211/87.01
4,787,880 A	11/1988	Ausnit	493/213	D399,726 S *	10/1998	Tsai	D8/367
D299,423 S	1/1989	Davis	D8/373	5,823,497 A	10/1998	Weatherhead	248/316.7
				5,829,884 A	11/1998	Yeager	383/61

US D527,683 S

5,839,582 A	11/1998	Strong et al.	206/524.8	6,299,353 B1	10/2001	Piechocki et al.	383/63
5,850,966 A	12/1998	Siler et al.	232/15	D453,654 S	2/2002	Kwok	D6/630
5,890,810 A	4/1999	Barlow	383/120	6,349,654 B1	2/2002	Peters	108/26
D409,031 S	5/1999	McNaughton	D6/546	6,367,976 B1	4/2002	Bannister	383/85
D411,702 S	6/1999	Boyd	D6/567	6,382,429 B1	5/2002	Yeh et al.	211/59.1
5,911,508 A	6/1999	Dobreski et al.	383/5	6,450,380 B1	9/2002	Simhaee	225/46
5,927,800 A	7/1999	Stallworth	297/188.08	D464,994 S	10/2002	Rosen	D19/65
5,933,927 A	8/1999	Miller et al.	24/452	D466,732 S	12/2002	Ball et al.	D6/518
5,944,425 A	8/1999	Forman	383/61	D470,461 S	* 2/2003	Liang	D13/151
5,960,957 A	10/1999	Johnson	206/526	6,519,918 B1	2/2003	Forman et al.	53/412
5,964,359 A	10/1999	Marino, Jr.	211/74	D471,789 S	* 3/2003	Fredriksson	D8/356
5,970,684 A	10/1999	Talley, Jr.	53/384.1	D472,451 S	* 4/2003	Fredriksson	D8/356
5,988,492 A	11/1999	Capy et al.	229/122.34	6,571,951 B1	6/2003	Levine et al.	206/395
6,010,244 A	1/2000	Dobreski et al.	383/63	6,651,297 B1	11/2003	Borchardt	24/399
6,036,364 A	3/2000	Heuvel	383/64	6,692,147 B1	2/2004	Nelson	383/63
6,042,063 A	3/2000	Kerr et al.	248/100	6,698,926 B1	3/2004	Buchman	383/64
D424,413 S	5/2000	Laga et al.	D8/372	6,728,997 B1	5/2004	Savicki et al.	24/399
6,056,378 A	5/2000	Semon et al.	312/246	D490,706 S	6/2004	Smith et al.	D9/434
6,074,094 A	6/2000	Manolizi et al.	383/5	D497,835 S	* 11/2004	Yoneoka et al.	D11/221
6,074,096 A	6/2000	Tilman	383/63	D499,668 S	* 12/2004	Iwase	D11/221
6,080,252 A	6/2000	Plourde	156/66	6,863,645 B1	3/2005	Crunkleton et al.	493/212
6,082,897 A	7/2000	Galomb	383/63	2002/0168118 A1	11/2002	Price	383/64
D431,451 S	10/2000	Kuo	D8/373	2003/0002057 A1	2/2003	Furukawa	248/309.1
D434,345 S	* 11/2000	Tomic	D11/221	2003/0210836 A1	11/2003	Strand	383/9
6,154,934 A	12/2000	Matthews	24/587	2004/0013323 A1	1/2004	Withers	383/63
6,185,796 B1	2/2001	Ausnit	24/587	2004/0037478 A1	2/2004	Anderson	383/64
6,210,724 B1	4/2001	Clarke et al.	426/118	2004/0052434 A1	3/2004	Bell	383/35
D441,319 S	5/2001	Yoneoka	D11/221	2004/0057636 A1	3/2004	Ishizaki	383/44
6,224,030 B1	5/2001	Hepworth	248/215	2004/0058103 A1	3/2004	Anderson et al.	428/34.1
6,231,234 B1	5/2001	Gebhardt	383/61	2004/0066988 A1	4/2004	Li	383/120
6,231,236 B1	5/2001	Tilman	383/63	2004/0136618 A1	7/2004	Ausnit et al.	383/64
D444,417 S	7/2001	Yoneoka	D11/221	2004/0252915 A1	12/2004	Nelson	383/63
6,273,279 B1	8/2001	Wolf	211/86.01	2005/0063616 A1	3/2005	Chang	383/5
D449,494 S	10/2001	Cousins	D7/629				
D449,794 S	10/2001	Savicki, Sr.	D11/221				

* cited by examiner

FIG. 1

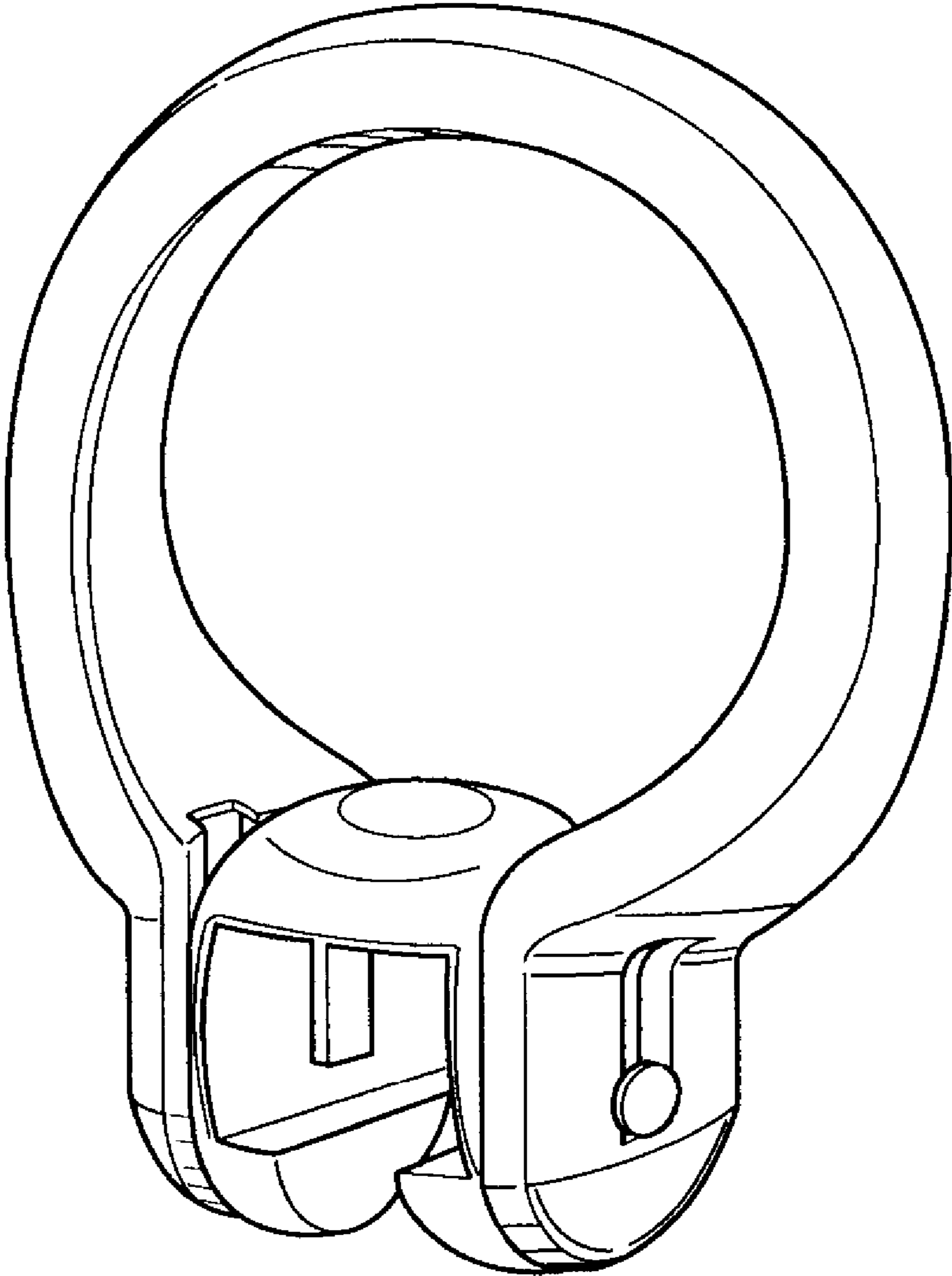


FIG. 2

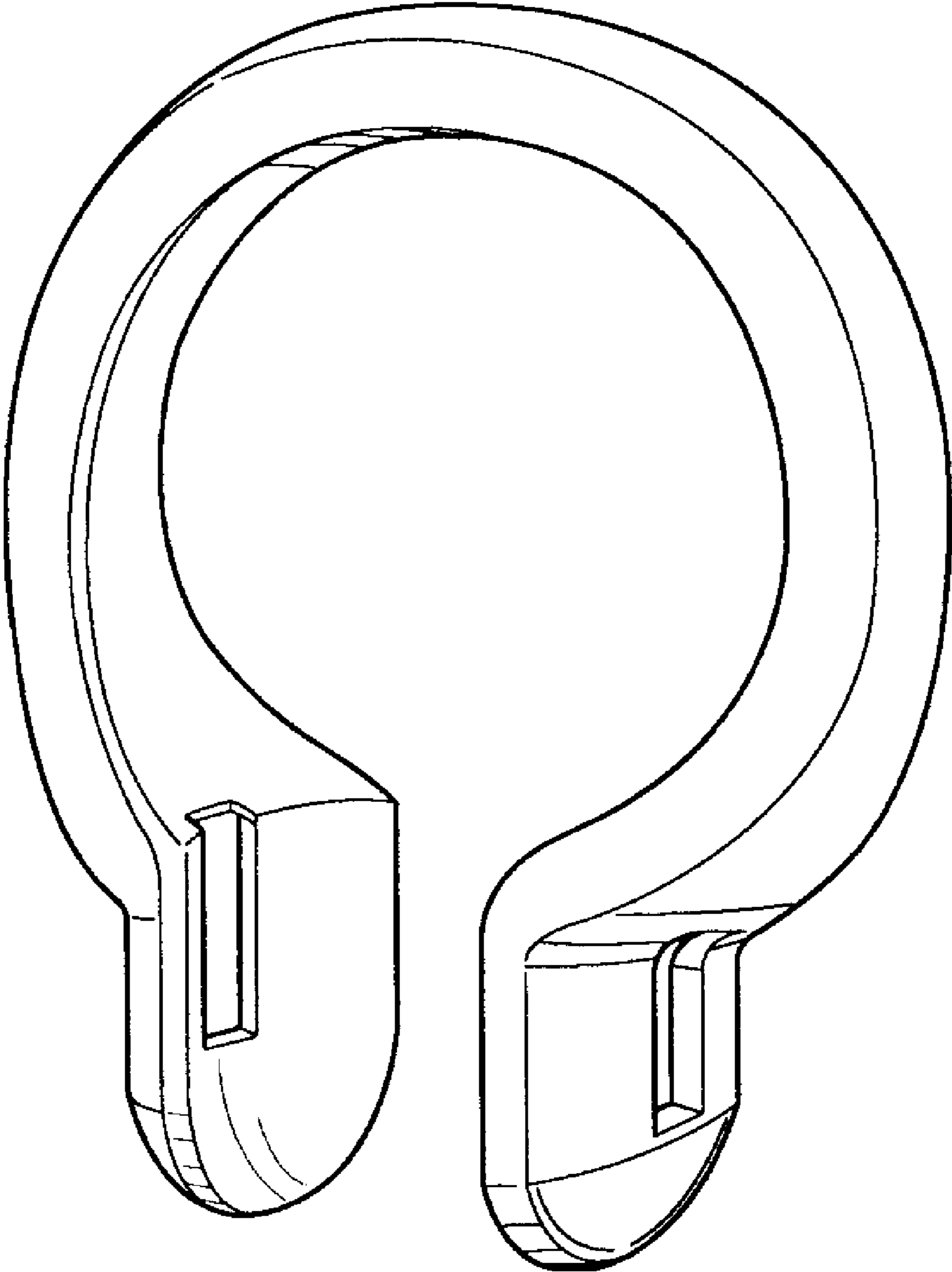


FIG. 3

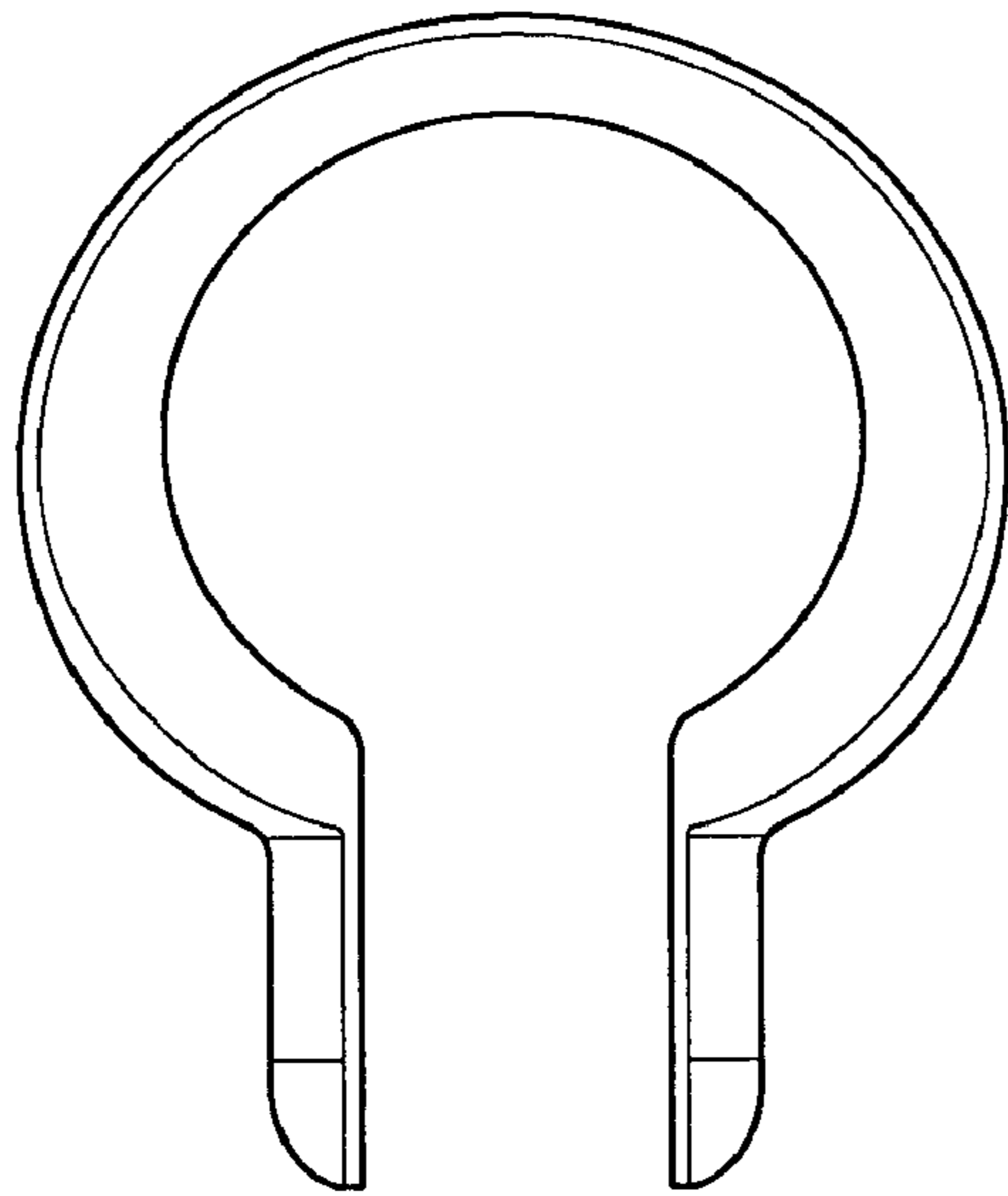


FIG. 4

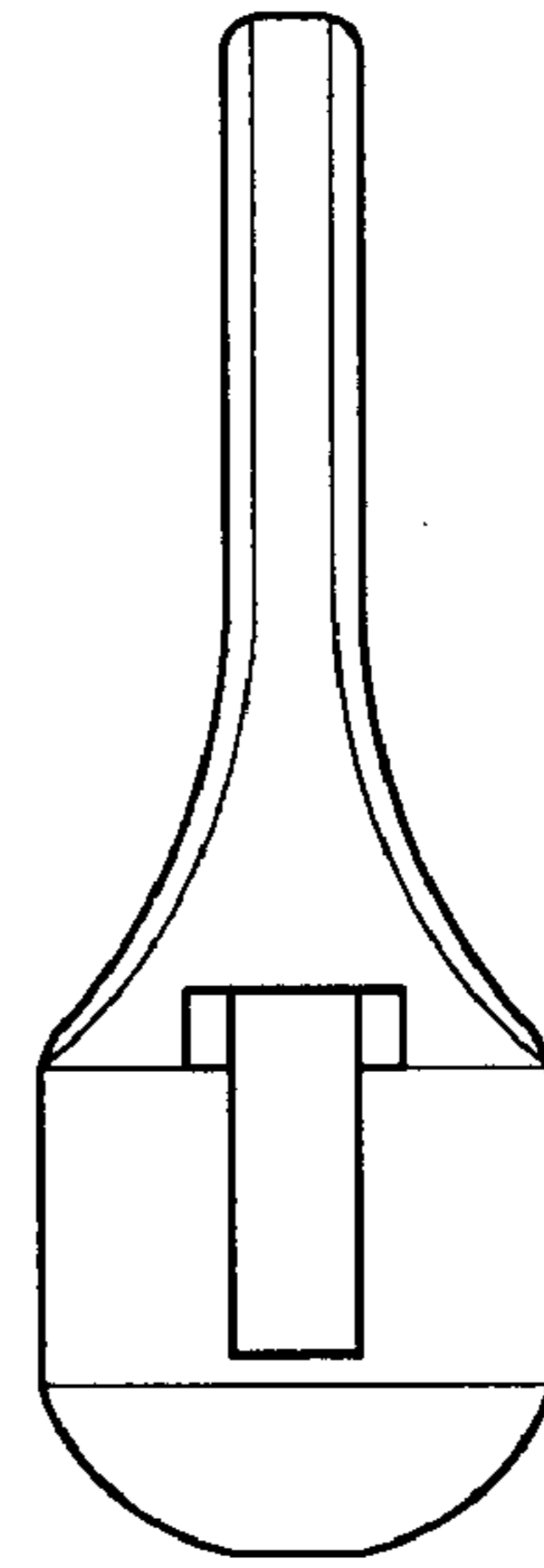


FIG. 5

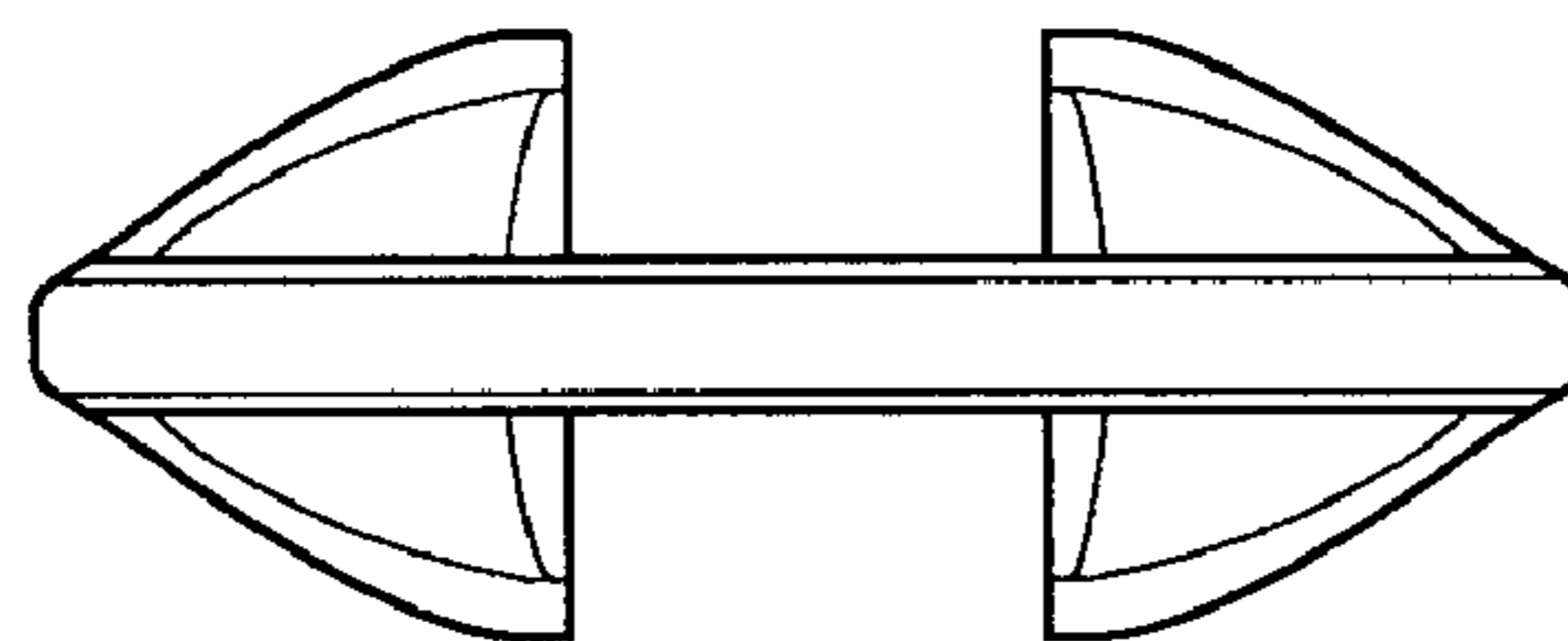


FIG. 6

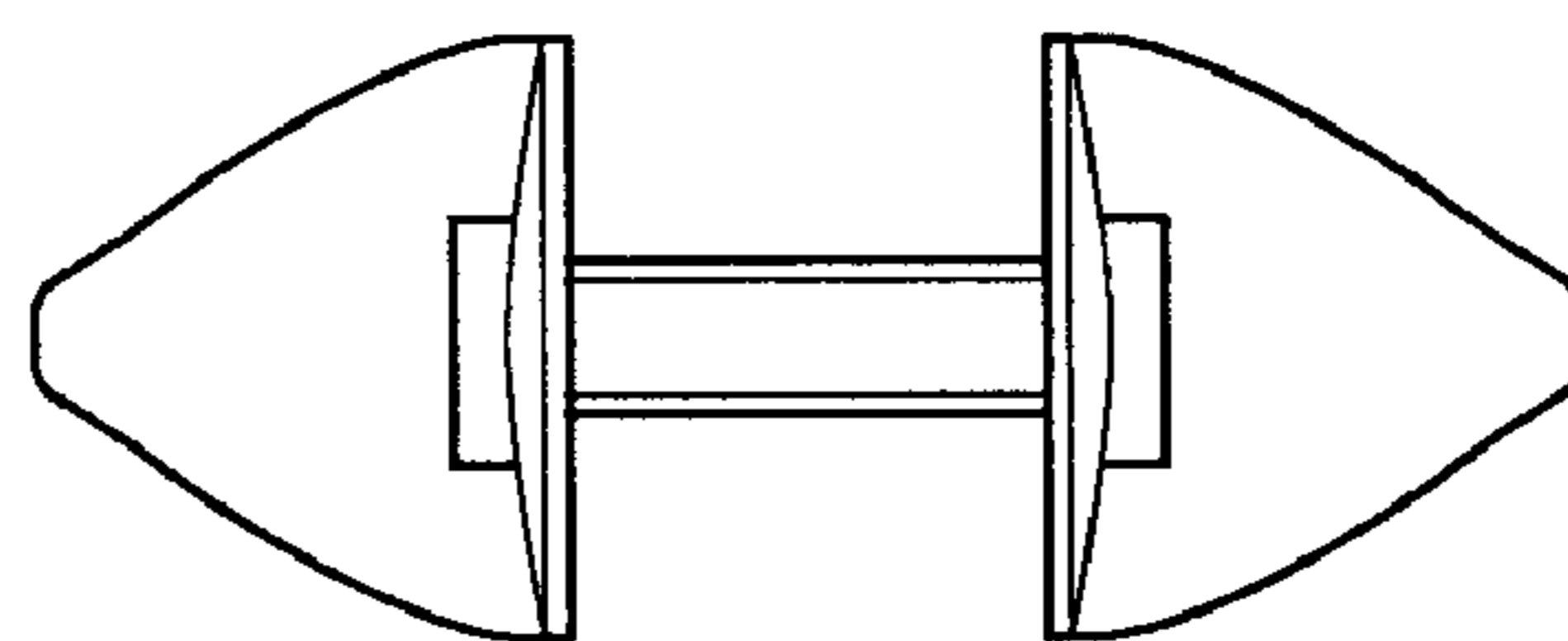


FIG. 7

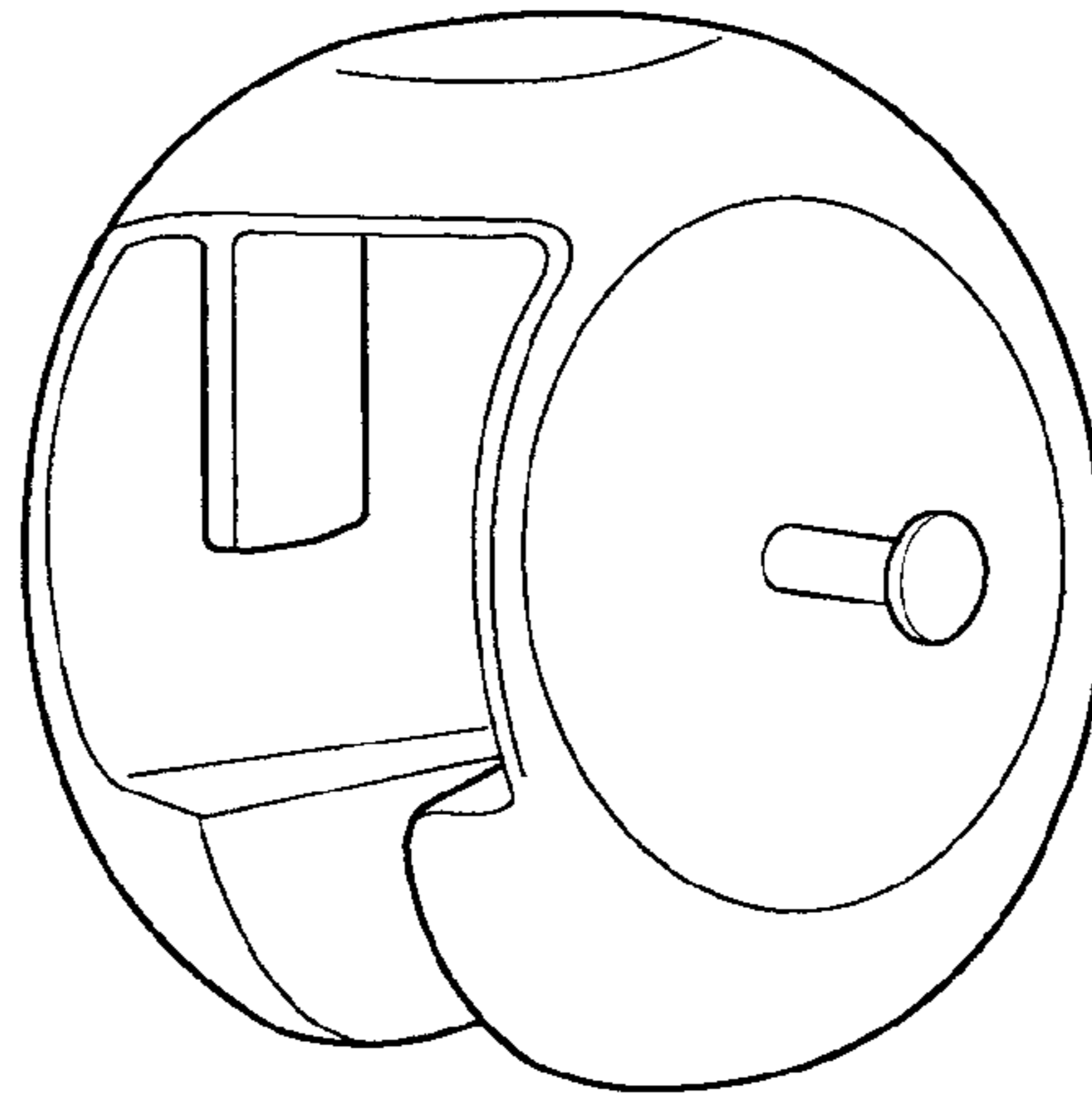


FIG. 8

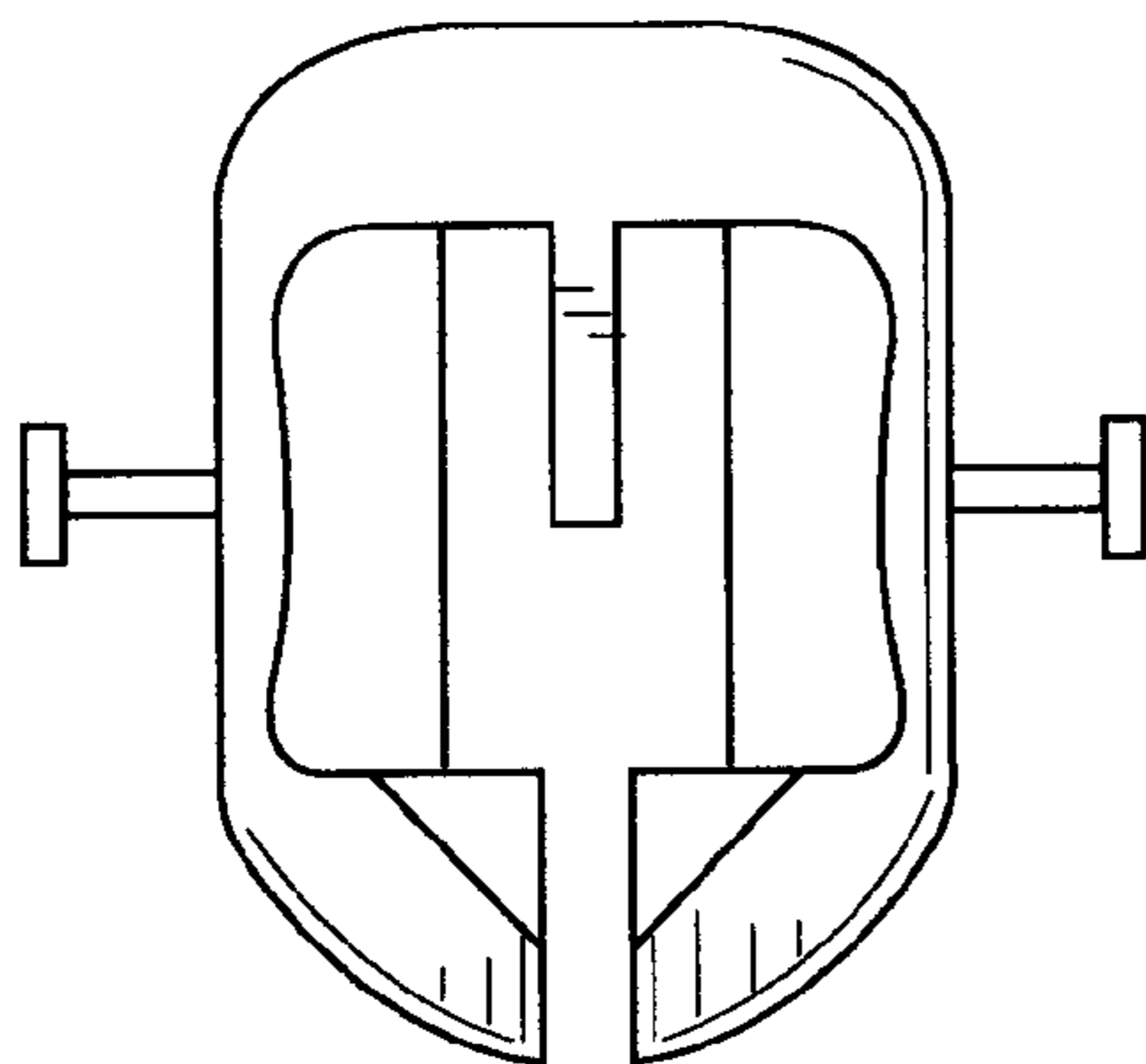


FIG. 9

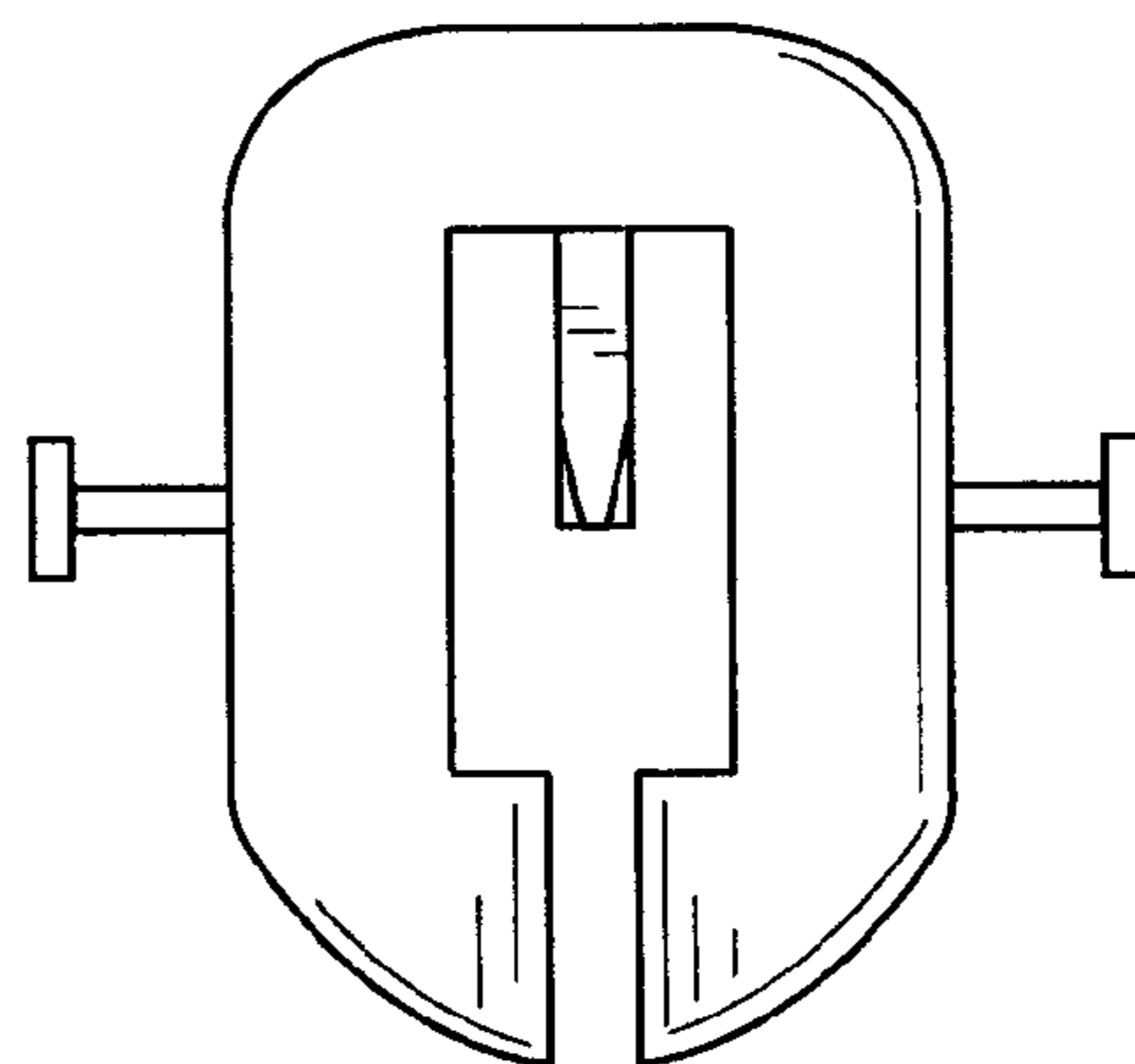


FIG. 10

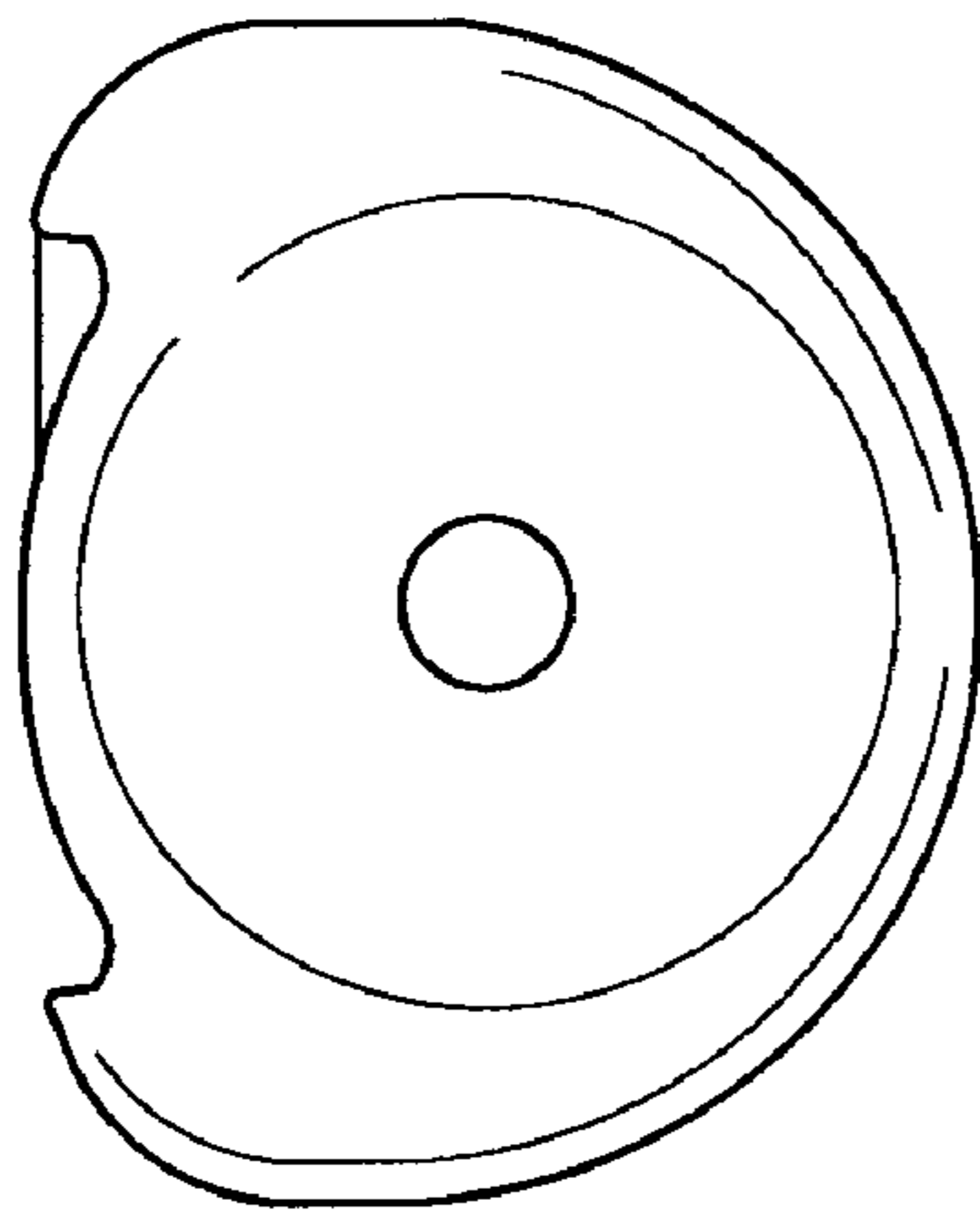


FIG. 11

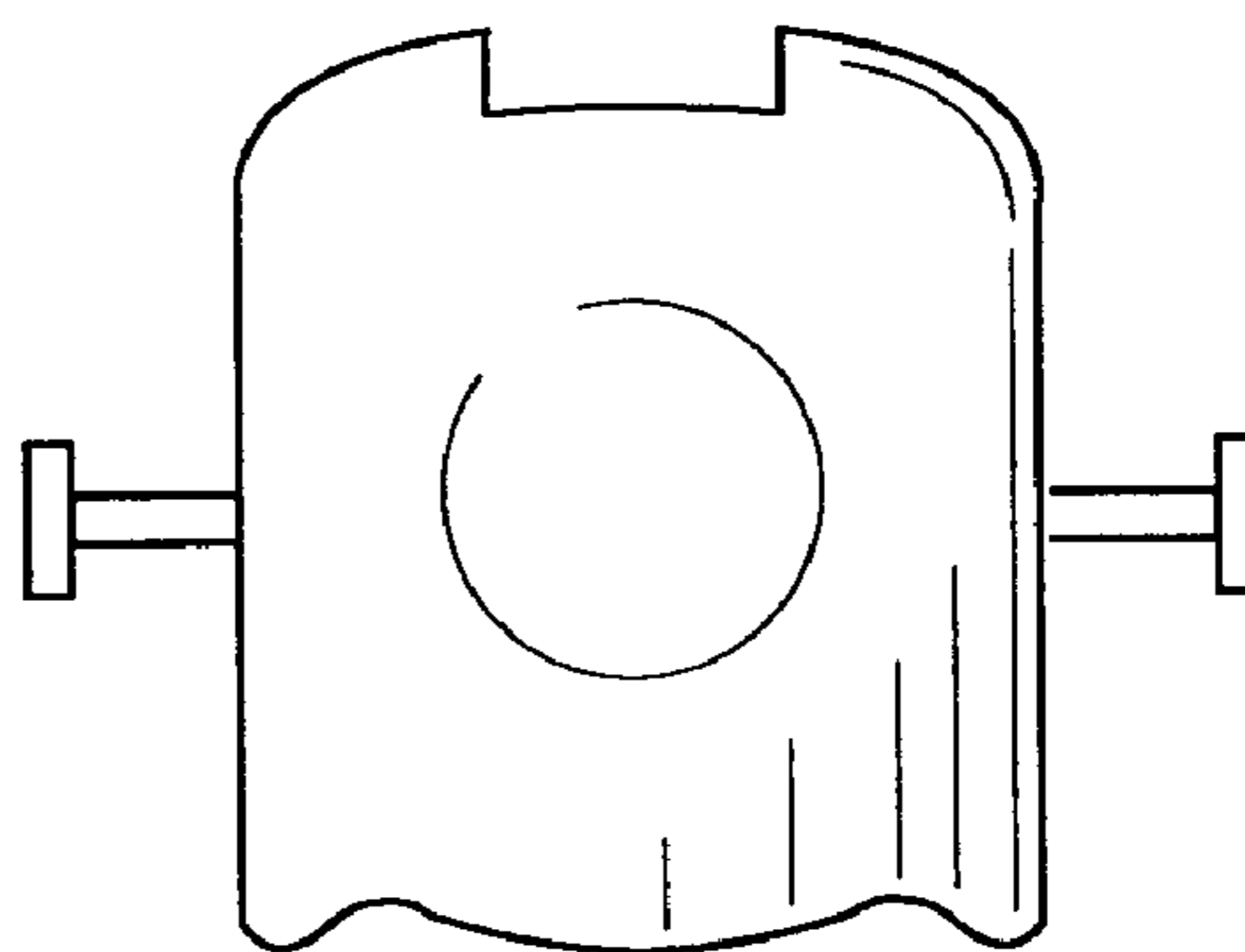


FIG. 12

